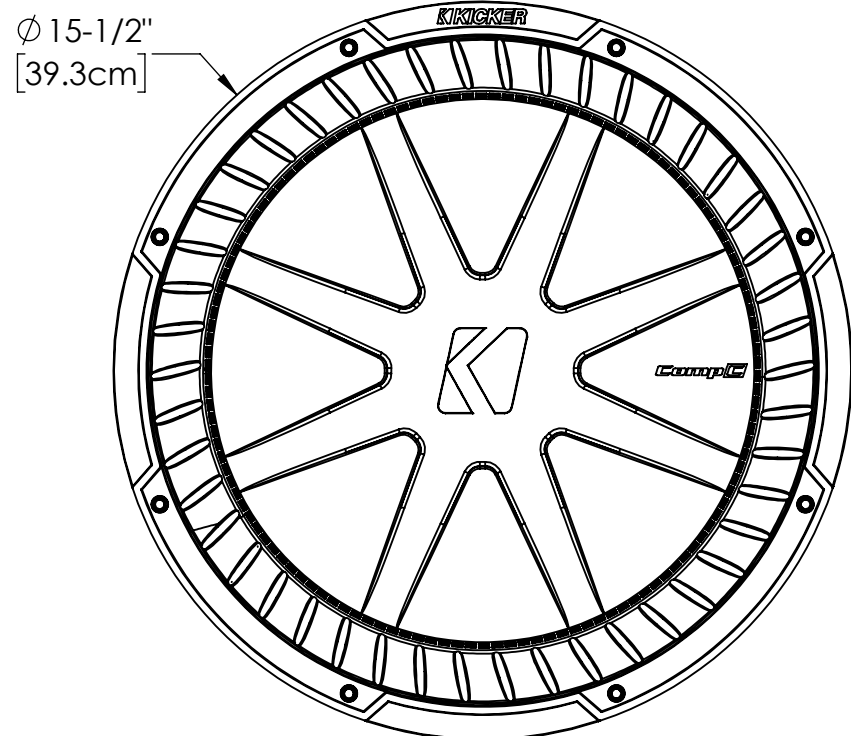
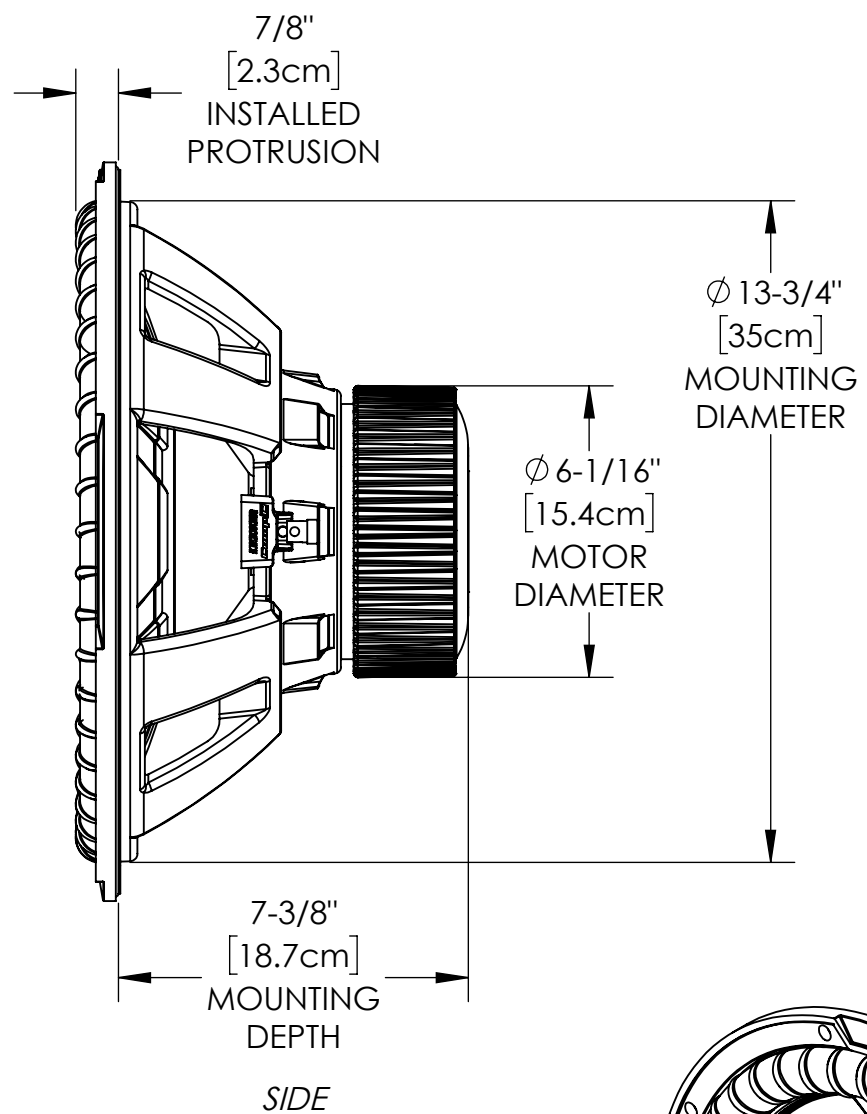


CARTON ART VIEWS/PUBLISHED DIMENSIONS SHEET

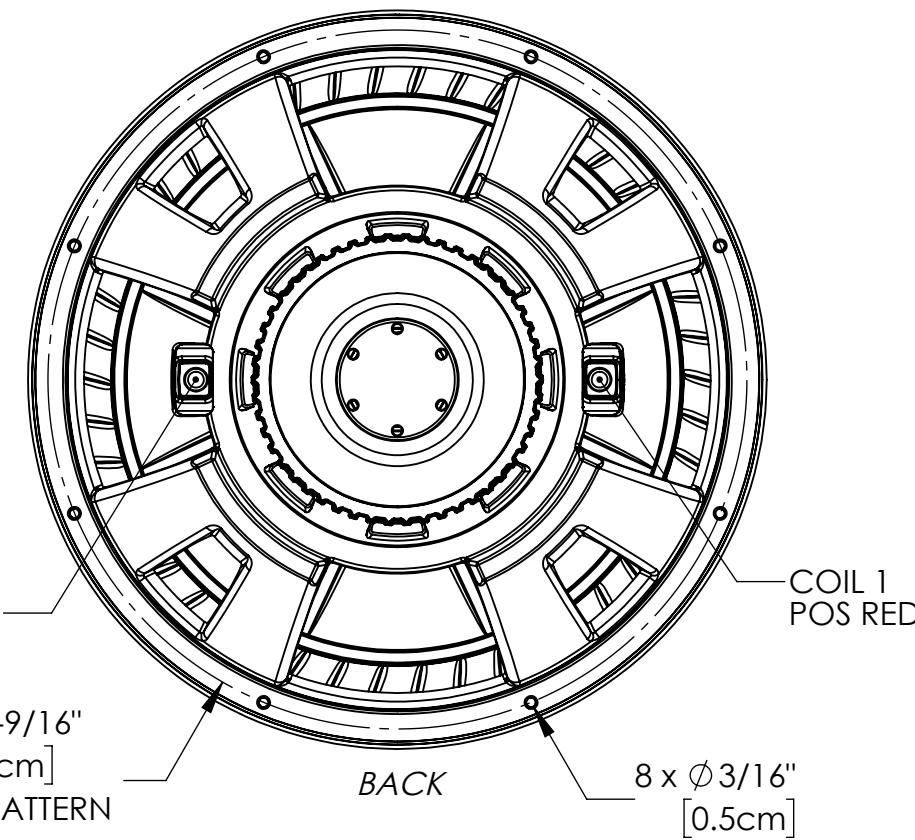
MOUNTING DEPTH DIMENSION ROUNDED UP TO NEAREST 1/16th"
measured inches convert to mm equivalent add 1.6mm=1/16th then software rounds to nearest 1/16th



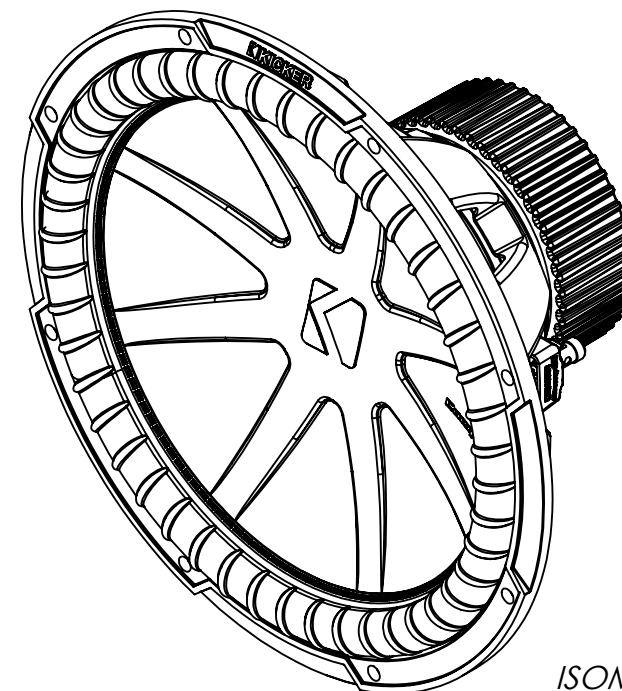
FRONT



SIDE



BACK



ISOMETRIC

Item Number	Impedance
50CWCS154	4OHM SVC

CUSTOMER SERVICE DIMENSIONS

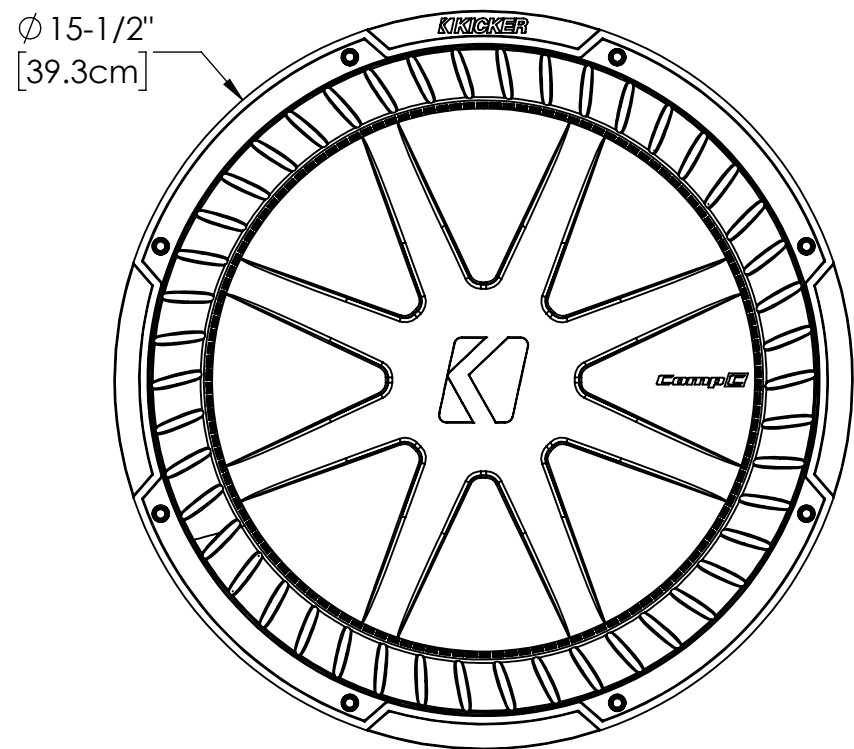


DESCRIPTION:
 15" CompC Subwoofer

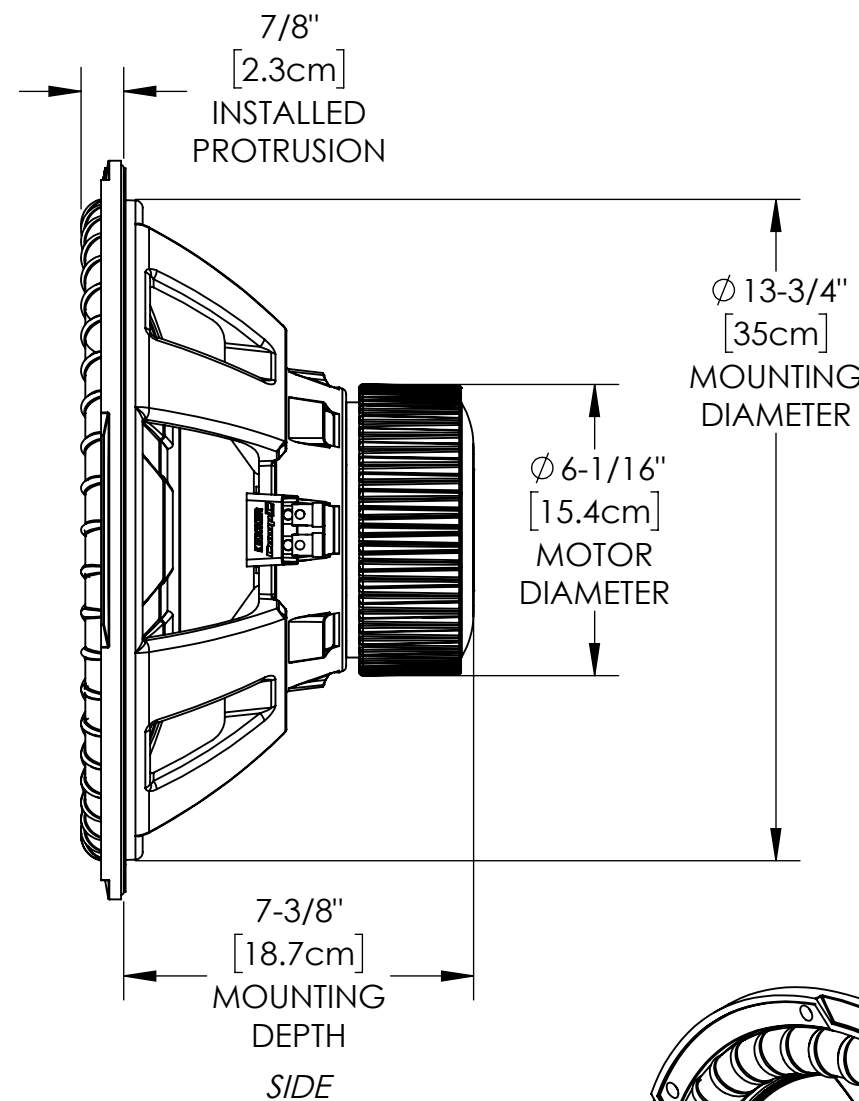
SIZE	DWG. NO.	REV	SHEET
B	50CWC15-CSD	B	4/6

CARTON ART VIEWS/PUBLISHED DIMENSIONS SHEET

MOUNTING DEPTH DIMENSION ROUNDED UP TO NEAREST 1/16th"
measured inches convert to mm equivalent add 1.6mm=1/16th then software rounds to nearest 1/16th



FRONT



7-3/8"
[18.7cm]
MOUNTING
DEPTH
SIDE

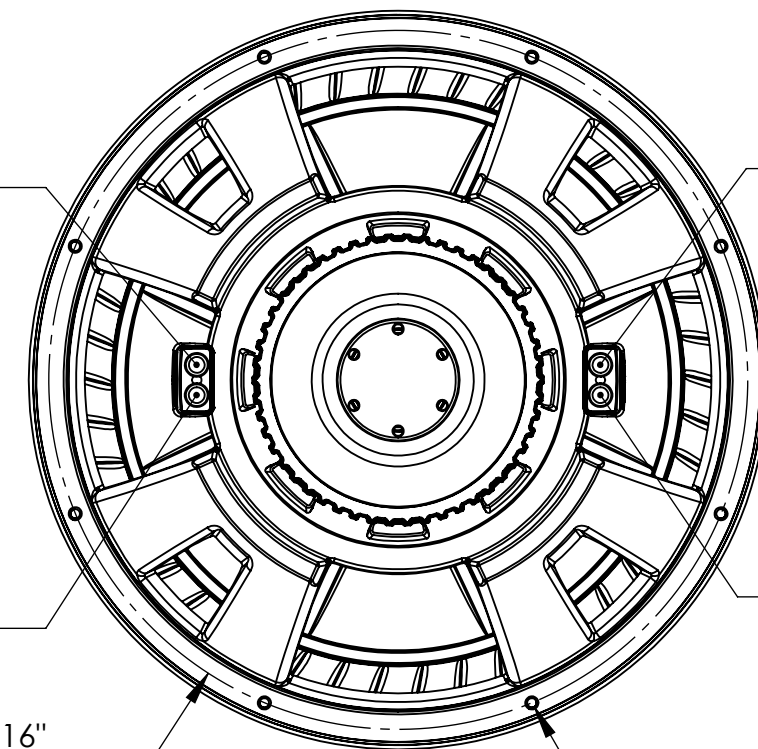
COIL 1
NEG BLACK

COIL 1
POS RED

$\phi 14\text{-}9/16"$
[37cm]
HOLE PATTERN

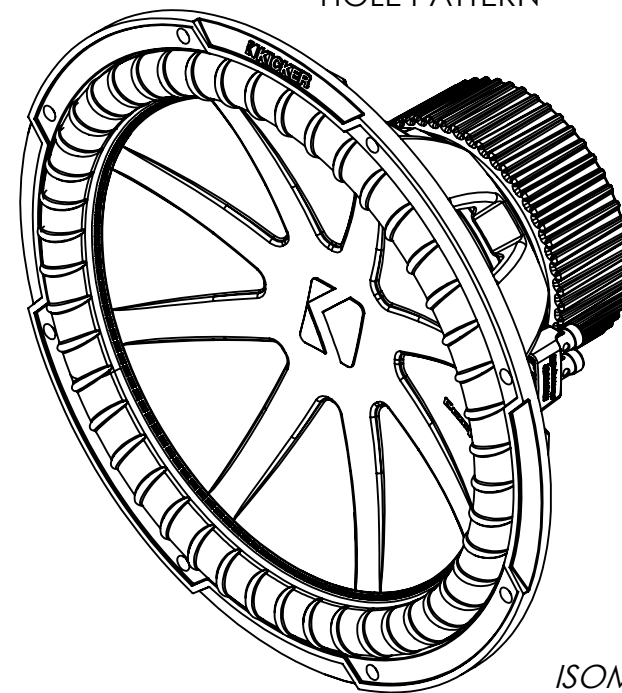
$\phi 13\text{-}3/4"$
[35cm]
MOUNTING
DIAMETER

$\phi 6\text{-}1/16"$
[15.4cm]
MOTOR
DIAMETER



BACK

8 x $\phi 3/16"$
[0.5cm]



ISOMETRIC

Item Number	Impedance
50CWCD154	4OHM DVC

CUSTOMER SERVICE DIMENSIONS



DESCRIPTION:
 15" CompC Subwoofer

SIZE	DWG. NO.	REV	SHEET
B	50CWC15-CSD	B	6/6