

MODEL ONE BT™

Owner's Manual

Brugermanual

Benutzerhandbuch

Manual De Usuario

Manuel Utilisateur

Manuale D'uso

사용자 매뉴얼

Handleiding

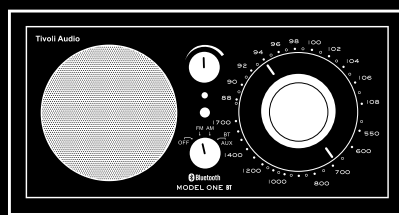
Brukermanual

Ohjekirja

用户说明书

Användarmanual

ユーザーマニュアル

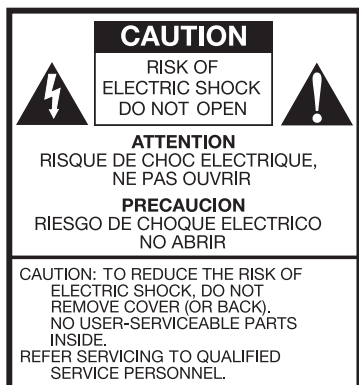


Tivoli Audio™

MODEL ONE BT™

AM/FM RADIO

English	03
Dansk	10
Deutsch	17
Español.....	24
Français.....	31
Italiano	38
한국어.....	45
Nederlands	55
Norsk	62
Suomi	69
普通话	76
Svenska.....	83
日本語.....	90



This symbol is intended to alert the user to the presence of uninsulated "dangerous voltage" within the product's enclosure that may be of sufficient magnitude to constitute a risk of electric shock to persons.



This symbol is intended to alert the user to the presence of important operating and maintenance (servicing) instructions in the literature accompanying the appliance.

Important Safety Instructions

1. Read these instructions.
2. Keep these instructions.
3. Heed all warnings.
4. Follow all instructions.
5. **WARNING** – To reduce the risk of fire or electric shock, do not expose this apparatus to rain or moisture.
6. Clean only with dry cloth.
7. Do not block any ventilation openings. Install in accordance with the manufacturer's instructions.
8. Do not install near any heat sources such as radiators, heat registers, stoves, or other apparatus (including amplifiers) that produce heat.
9. Do not defeat the safety purpose of the polarized or grounding-type plug. A polarized plug has two blades with one wider than the other. A grounding type plug has two blades and a third grounding prong. The wide blade or the third prong are provided for your safety. If the provided plug does not fit into your outlet, consult an electrician for replacement of the obsolete outlet.
10. Protect the power cord from being walked on or pinched particularly at plugs, convenience receptacles, and the point where they exit from the apparatus.
11. Only use attachments/accessories specified by the manufacturer.
12. Use only with the cart, stand, tripod, bracket, or table specified by the manufacturer, or sold with the apparatus. When a cart is used, use caution when moving the cart/apparatus combination to avoid injury from tip-over.
13. Unplug this apparatus during lightning storms or when unused for long periods of time.
14. Operate this product only from the type of power source indicated on the rear panel. For products using an external power supply, use an exact replacement if lost or damaged. For products operating from battery power, refer to the user manual.



⚠ WARNING: THE AFFIXED MODEL ONE BT ANTENNA IS NOT INTENDED TO BE DETACHED.

This product can be recycled. Products bearing this symbol must NOT be thrown away with normal household waste. At the end of the product's life, take it to a collection point designated for recycling of electrical and electronic devices. Find out more about return and collection points through your local authority.

The European Waste Electrical and Electronic Equipment (WEEE) Directive was implemented to dramatically reduce the amount of waste going to landfills, thereby reducing the environmental impact on the planet and on human health. Please act responsibly by recycling used products. If this product is still useable, consider giving it away or selling it.



15. Unplug this product from the wall outlet and refer servicing to qualified service personnel under the following conditions:
 - a. When the power supply cord or plug is damaged
 - b. If liquid has been spilled or objects have fallen into the product.
 - c. If the product has been exposed to water or rain.
 - d. If the product does not operate normally by following the operating instructions.
 - e. If the product has been dropped or damaged in any way.
 - f. When the product exhibits a distinctive change in performance.
16. When replacement parts are required, be sure your service technician has used replacement parts specified by the manufacturer or have the same characteristics as the original part. Unauthorized substitutions may result in fire, electric shock, or other hazards.
17. Upon completion of any service, ask the service technician to perform safety checks to confirm the product is in proper operating condition.
18. Apparatus shall not be exposed to dripping or splashing and no objects filled with liquids, such as vases, shall be placed on the apparatus.
19. The recommended operating temperature range is 5°C to 40°C (41°F -104°F).
20. The 12 VDC input is suited for operating this product in a boat or camper using an optional 12 VDC, 1 A fused adapter.
21. Keep this product a safe distance away from naked flame, such as a lit candle.
22. **WARNING** – The mains are not disconnected in the off position, but the circuits are de-powered.
23. Canada complies with RSS210, ICES-003.
24. The power cord plug serves as the disconnect device and should remain readily accessible.

Model One BT Instructions

Congratulations on your purchase of the Model One BT table radio. With the addition of Bluetooth wireless technology, you can stream your music wirelessly to the Model One BT.

We know you are eager to use your new radio, but please take a moment to read this owner's manual and Safety Instructions. If you have any questions, please do not hesitate to contact your dealer or Tivoli Audio.

Please save the carton and original packing should you ever need to ship your radio, as shipping damage is not covered by the factory warranty.

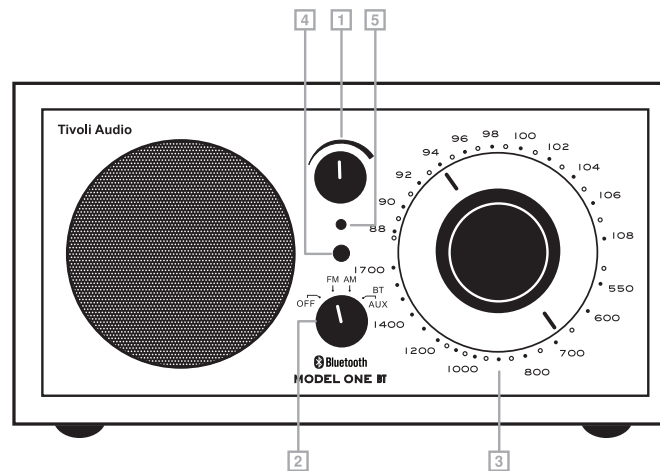
On behalf of all of us, thank you for choosing Tivoli Audio and enjoy your new Model One BT radio.

Packed with your Model One BT you should find one each:

- (1) External Power Supply and accompanying plugs
- (1) FM Telescopic Antenna

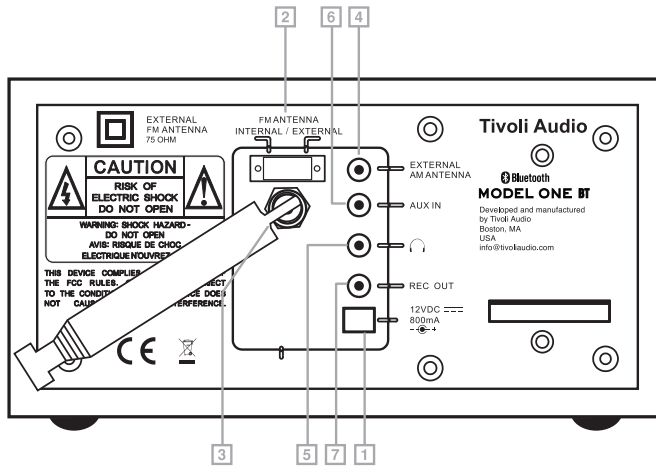
Please contact your dealer or Tivoli Audio if any of these items are missing.

Guide to Features (Front)



1. **VOLUME KNOB:** Rotate the volume knob to the right to increase the volume or to the left to decrease the volume. This knob also controls the volume of the headphone output.
2. **OFF/FM/AM/AUX KNOB:** Turn the knob one click to the right to hear the FM band, two clicks to the right to hear the AM band, or three clicks to the right to select the auxiliary input. To activate Bluetooth, switch to the Auxiliary position and follow the steps outlined in the "Bluetooth Operation" section.
3. **TUNING KNOB:** Rotate the analog tuning dial to the right or to the left to adjust the FM (upper half of dial) or AM (lower half of dial) frequency range.
4. **TUNING INDICATOR:** Brightest when best tuning has been achieved. Some listenable AM stations will not light the tuning indicator and should be tuned by ear for the clearest signal. This light may or may not remain lit when in the AUX position depending upon the position of the AM dial.
5. **POWER INDICATOR:** Glows when the source knob is in any position other than Off.

Guide to Features (Rear Panel)



- 12VDC/1.5A:** This input is for use with an optional 1.5A fused, 12VDC adapter, for operation in a boat or camper. The connector must be 5.5mm/2.1mm center positive.
- FM ANTENNA SWITCH:** Switch between internal and external FM antennas. This switch has no effect on AM reception. In some cases, FM reception may be improved by setting this antenna switch to External.
- EXTERNAL FM CONNECTION:** When listening to FM, depending on your country, slide the included wire antenna over this F connector, or adjust this telescoping antenna and position it for best reception. In strong FM signal locations, reducing the antenna's length may provide better reception. When the unit is not in use or when listening to AM, keep the antenna retracted to protect it. This antenna has no effect on AM reception. For more, see the section marked "Reception".
- EXTERNAL AM CONNECTION:** In some cases, AM reception may be improved by connecting an external AM antenna (not included) to this jack, which accepts a 3.5mm male stereo mini connector. For more, see the section marked Reception.
- HEADPHONE OUT:** Connect a headset (not included) to this variable stereo output for private listening. The headset will mute the primary speaker. The headset's volume is adjusted using the volume knob. This stereo output accepts a 3.5mm stereo male mini connector. Avoid using headphones at high volume levels to prevent possible hearing damage.
- AUX IN:** To hear audio from another device, such as a CD player, MP3 player, or computer, connect said device's audio output to this stereo input and switch the front source knob to Aux. Switching to the Aux position does not turn on the connected device. This stereo input accepts a 3.5mm stereo male mini connector. The left and right stereo signal is summed to mono. The AUX IN jack is unavailable when a Bluetooth device is connected. You must first disconnect any Bluetooth device to use the wired AUX IN function.

NOTE: You may need to adjust the volume level differently for an auxiliary device than the level used for radio listening.

- REC OUT:** You can record from the Model One BT radio by connecting a cassette deck's audio input (or other recording device) to this fixed level stereo output. You can also use the Model One BT radio as a high performance analog tuner by connecting it to the audio input of a preamplifier or integrated amplifier. The primary speaker will not be muted when using this output. This jack accepts a 3.5mm stereo male mini connector.

Bluetooth Operation

Prior to pairing, verify your device supports Bluetooth and your device is not connected to any other Bluetooth product. Devices may pair differently. Below is a general guide.

- Turn on the Model One BT to the Auxiliary position. This will power on the Bluetooth. Turn the volume up about $\frac{1}{4}$ to start. Also turn up the volume on the source device (the device you are streaming from).
- Turn on the Bluetooth wireless technology on your enabled device.
- Select "Tivoli Bluetooth (Not Paired)" when it appears on your device's screen to initiate searching. Some devices may prompt you for a PIN. If so, enter "0000". "Tivoli Bluetooth" will change from "Not Paired" to "Connected".
- You will hear a ring tone from the Model One BT confirming connection and you can begin playing your music files wirelessly. Adjust the volume level on your device. You should not have to pair your device again. **Depending on your device, you may need to make multiple attempts at Pairing and/or Connecting to the Model One BT, but please give your device adequate time to Pair or Connect before repeating the process.**

Placement

Place the unit on a flat, stable surface. Do not block the bottom bass port. The Model One BT radio is not video shielded and should be kept at least 12.7 cm away from a computer monitor or television. The Model One BT radio can be positioned vertically as well as horizontally. Placement in a bookcase, cabinet, or close to walls or corners may inflate the bass.

Cleaning

Never use any harsh cleansers or solvents on your radio. Avoid spray-on waxes. Unplug the Model One BT radio prior to cleaning. The face may be cleaned with a slightly damp, soft cloth. Painting or staining the wood cabinet will void your warranty.

NOTE: Tivoli Audio cabinets use real wood veneers. Since natural wood varies greatly, it is not possible to achieve an exact wood color/grain match between models. You may also notice the wood darken over time with exposure to sunlight. Again, this is normal for real wood.

Limited Warranty

Tivoli Audio manufactures its products to very high standards and we are confident our products will perform well. Accordingly, we warranty our products against manufacturing defects in material and workmanship to the original owner, for a period of one year in the United States and two years in the European Union from the original date of purchase. For countries where minimum warranty terms are determined by statute, the warranty term is the statutory period required. In all other locations, the warranty term is one year.

This warranty does not extend to damage caused by improper installation, faulty ancillary equipment, modifications, unauthorized repair, shipping damage or loss, abuse, accidents, use on improper voltage/current, lightning or other acts of God, normal wear and tear, commercial use, or purchase from unauthorized dealers. Proof of purchase as evidence the unit was purchased from an authorized dealer within the warranty period may be required for warranty service. Should service be necessary, please do NOT return the product without first contacting your dealer or Tivoli Audio.

This warranty is non-transferable. Tivoli Audio will not pay for loss of time, inconvenience, loss of use of the product, or damages caused by this product.

This warranty gives you specific legal rights and you may also have other rights which vary from state to state. Some states do not allow limitations on implied warranties or the exclusion of consequential damages, therefore, these restrictions may not apply to you.

For more warranty information please visit us at www.tivoliaudio.com

For European warranty information please visit www.tivoliaudio.eu

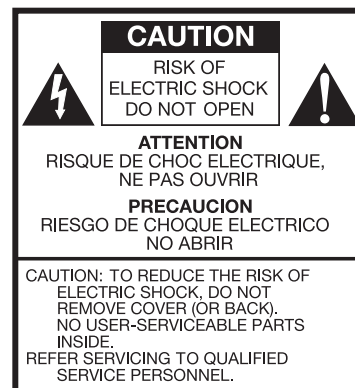
Specifications

Model:	Model One BT™
Type:	AM/FM mono table radio with Bluetooth wireless technology
Driver:	One 76.2 mm (3") full-range driver
Dimensions:	21.3 cm W x 11.4 cm H x 13.3 cm D (8.375" W x 4.5" H x 5.25" D)
Weight:	1.88 kg (4.14 lbs)

Specifications subject to change without notice.

Tivoli Audio reserves the right to make product changes without notice.

Tivoli Audio, the Tivoli Audio logo, and Model One BT are trademarks of Tivoli Audio, Inc. The Bluetooth word mark and logos are registered trademarks owned by Bluetooth SIG, Inc. and any use of such marks by Tivoli Audio is under license. Other trademarks and trade names are those of their respective owners.



Dette symbol har til formål at gøre opmærksom på, at der inde i dette produkt forekommer steder med uisoleret strøm, og som følge deraf kan forårsage alvorlig elektrisk stød ved berøring.



Dette symbol har til formål at gøre opmærksom på, at der i brugervejledning til dette produkt er nøje specificeret, hvordan produktet skal anvendes og serviceres såfremt der opstår fejl.

Vigtige Sikkerhedsinstrukser

1. Læs disse instrukser.
2. Gem disse instrukser.
3. Lyt til alle advarsler.
4. Følg alle instrukser.
5. ADVARSEL – For at nedsætte risikoen for brand eller elektrisk chok, må dette apparat ikke udsættes for regn eller fugt.
6. Rengøres kun med en tør klud.
7. Bloker ikke ventilationsåbninger. Installer i overensstemmelse med fabrikantens instrukser.
8. Må ikke installeres nær andre varmekilder så som radiatorer, varmeriste, ovne eller andre apparater (inklusive forstærkere) som producerer varme.
9. Omgå ikke sikkerhedsformålet med et polariseret eller jordforbindelsesstik. Et polariseret stik har to blade og det ene blad er bredere end det andet. Et jordforbindelsesstik har to blade og et tredje jordforbindelsesben. Det brede blad på det tredje ben er der for din sikkerhedsskyld. Hvis det medførende stik ikke passer ind i din stikkontakt, bedes du kontakte en elektriker for at udskifte den forældede stikkontakt.
10. Beskyt strømkablet så man ikke kan træde på det eller klemme det især ved stik, stikdåser og der hvor de er tilsluttet apparatet.
11. Brug kun de vedhæftelser/tilbehør som fabrikanten har specificeret.
12. Må kun bruges sammen med det rullebord, den stand, det stativ, det beslag eller bord som fabrikanten har specificeret, eller som blev solgt sammen med apparatet. Når man bruger et rullebord skal man være forsigtig, når man flytter apparatet på rullebordet, så man undgår skade hvis det tipper.
13. Træk stikket ud på apparatet i tordenvejr eller hvis det ikke bruges i længere tid.
14. Brug kun dette produkt fra den type strømkilde, som er indikeret på bagpanelet. For produkter som bruger en ekstern strømforsyning skal man erstatte den med en identisk strømforsyning, hvis den forsvinder eller beskadiges. For produkter som bruger batteristrom henvises til brugermanualen.



15. Træk produktet ud af stikkontakten og kontakt en kvalificeret servicetekniker for service i følgende tilfælde:
 - a. Hvis strømkablet eller stikket er beskadiget.
 - b. Hvis der er spildt væske eller hvis der er kommet noget i produktet.
 - c. Hvis produktet er blevet udsat for vand eller regn.
 - d. Hvis produktet ikke fungerer normalt, når man følger brugsanvisningerne.
 - e. Hvis man har tabt produktet, eller det på nogen måde er blevet beskadiget.
 - f. Når produktets performance ændrer sig i betydelig grad.
16. Når det er nødvendigt at bruge reservedele, skal du sørge for at serviceteknikeren bruger de reservedele, som fabrikanten specificerer eller at de har samme karakteristika som den originale del. Uautoriserede erstatninger kan forårsage brand, elektrisk chok eller andre farer.
17. Når der er blevet udført service, skal du bede serviceteknikeren om at udføre sikkerhedstjek for at bekræfte at produktet fungerer korrekt.
18. Apparatet må ikke udsættes for dryp eller stænk og ting der er fyldt med væske, så som en vase, må ikke stilles på apparatet.
19. Den anbefalede temperatur for brug er mellem 5°C og 40°C (41°F - 104°F).
20. 12 VDC inputtet er passende hvis man bruger dette produkt i en båd eller campingvogn ved at benytte en valgfri 12 VDC, 1 A sikringsadapter.
21. Hold sikker afstand mellem dette produkt og åben ild så som et tændt stearinlys.
22. ADVARSEL – Forsyningsnettet er ikke frasluttet, når det står på "off", men der er ingen strøm i kredsløbene.
23. Canada overholder RSS210, ICES-003.
24. Stikket på strømkablet fungerer som en fraslutningsanordning og skal altid være let tilgængelig.

⚠ ADVARSEL: DEN PÅMONTEREDE MODEL ONE BT ANTENNE ER IKKE BEREGNET TIL AT BLIVE TAGET AF.

Dette produkt kan genbruges. Produkter med dette symbol må IKKE smides væk sammen med almindeligt husholdningsaffald. Når du vil smide produktet ud, bedes du tage det til et indsamlingssted for genbrug af elektriske og elektroniske anordninger. Få mere information om steder for returnering og indsamling hos din lokale myndighed.

Det europæiske direktiv om affald af elektrisk og elektronisk udstyr (WEEE) blev implementeret for at stærkt nedsætte mængden af affald som ender på i lodsepladsen og derved nedsætte den miljømæssige påvirkning på jorden og på menneskers helbred. Udvis venligst ansvarlighed ved at genbruge brugte produkter. Hvis dette produkt stadig kan bruges, bedes du overveje at forære det væk eller sælge det.



Model One BT Instrukser

Tillykke med købet af en Model One BT bordradio. Med tilføjelsen af Bluetooth trådløs teknologi kan du trådløst streame din musik til din Model One BT.

Vi ved du er spændt på at bruge din nye radio, men brug venligst et øjeblik på at gennemlæse denne ejermanual og sikkerhedsinstrukserne. Hvis du har spørgsmål bedes du straks kontakte din forhandler eller Tivoli Audio.

Gem venligst æsken og den originale indpakningen hvis det skulle blive nødvendigt at sende din radio til os, da skade under forsendelse ikke dækkes af fabriksgarantien.

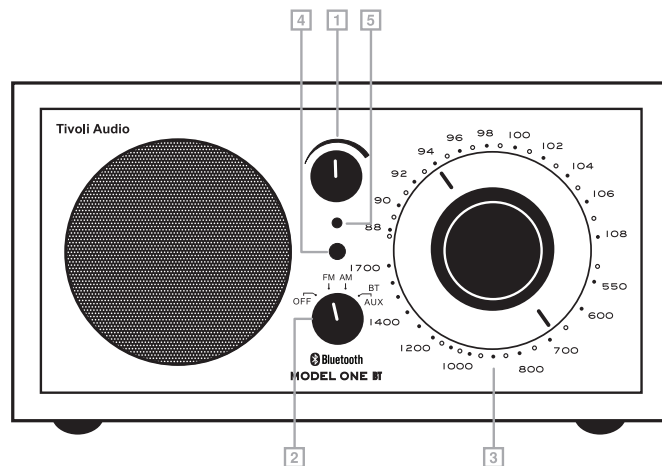
På vegne af os allesammen takker vi dig for at vælge Tivoli Audio og nyd din nye Model One BT radio.

Sammen med din Model One BT finder du en af hver:

- (1) Ekstern strømforsyning og tilhørende stik.
- (1) FM-teleskopantenne

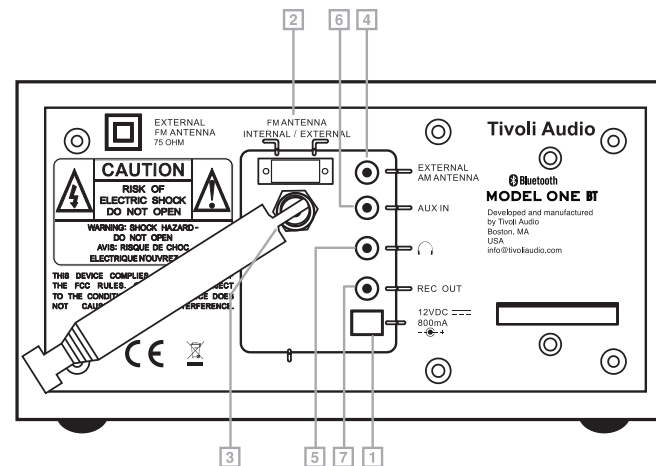
Kontakt venligst din forhandler eller Tivoli Audio hvis du mangler nogen af disse ting.

Guide Til Features (Forside)



1. **LYDKNAP:** Drej lydknappen til højre for at skru op for lyden eller til venstre for at skru ned for lyden. Denne knap kontrollerer også lydstyrken i dine hovedtelefoners output.
2. **OFF/FM/AM/AUX KNAPE:** Drej knappen et klik til højre for at lytte til FM båndet, to klik til højre for at lytte til AM båndet, eller tre klik til højre for at vælge aux input. For at aktivere Bluetooth, skifter du til Aux positionen og følger de trin der er beskrevet i sektionen for “Bluetooth brug”.
3. **INDSTILLINGSKNAPE:** Drej den analoge indstillingsknap til højre eller venstre for at justere FM (øvre halvdel af knappen) eller AM (nedre halvdel af knappen) frekvensrækkevidden.
4. **INDSTILLINGSINDIKATOR:** Lyser mest når den bedste indstilling er opnået. Nogle hørbare AM stationer vil ikke få indstillingsindikatoren til at lyse, så man skal lytte sig frem for at indstille det klareste signal. Dette lys kan forblive tændt eller ej i AUX positionen afhængigt af AM knappens position.
5. **STRØMINDIKATOR:** Lyser når kildeknapen er i enhver anden position end Off.

Guide Til Features (Bagpanel)



1. **12VDC/1,5A:** Dette input bruges sammen med en valgfri 1,5A, 12VDC sikringsadapter, ved brug i en båd eller campingvogn. Konnektoren skal være 5,5 mm/2,1 mm center positiv.
2. **FM ANTENNESKIFT:** Skift mellem interne og eksterne FM antenner. Dette skift påvirker ikke AM modtagelsen. I nogle tilfælde kan FM modtagelsen forbedres ved at indstille dette antenneskift til Ekstern.
3. **EKSTERN FM TILSLUTNING:** Når du lytter til FM, afhængigt af land, skubber du enten den medfølgende ledningsantenne over denne F konnektor, eller også justerer du denne teleskopantenne indtil du finder den bedste modtagelse. På steder hvor FM signalet er stærkt kan det give bedre modtagelse at forkorte antennens længde. Når du ikke bruger enheden, eller når du lytter til AM, kan du beskytte antennen ved at trække den ind. Denne antenne påvirker ikke AM modtagelsen. For flere oplysninger, se sektionen om “Modtagelse”.
4. **EKSTERN AM TILSLUTNING:** I nogle tilfælde kan AM modtagelsen forbedres ved at tilslutte en ekstern AM antenne (medfølger ikke) til dette stik, som accepterer en 3,5mm han stereo mini konnektor. For flere oplysninger, se sektionen om Modtagelse.
5. **HOVEDTELEFON OUT:** Tilslut et headset (medfølger ikke) til dette variable stereo output for at lytte i fred. Dit headset vil mute din primære højttaler. Lydstyrken på dit headset justeres ved at bruge lydstyrkeknappen. Dette stereo output accepterer en 3,5mm stereo han mini konnektor. Aux In stikket kan ikke bruges, hvis der er tilsluttet en Bluetooth enhed. Undgå at bruge hovedtelefoner ved høj lydstyrke for at forhindre mulig høreskade.
6. **AUX IN:** Hvis du vil høre lyden fra en anden anordning så som en CD afspiller, MP3 afspiller eller computer, slutter du den anordnings audio output til dette stereo input og sætter kildeknapen på forsiden til Aux. Du tænder ikke for den tilsluttede anordning ved at skifte til Aux positionen. Dette stereo input accepterer en 3,5mm stereo male mini konnektor. Det venstre og højre stereo signal bliver sammenlagt til mono. Aux In stikket kan ikke bruges, hvis der er tilsluttet en Bluetooth enhed. Du skal først fraslutte en eventuel Bluetooth enhed, før du kan bruge den faste Aux In funktion.

BEMÆRK: Det kan være nødvendigt at justere lydstyrkeniveauet for en aux anordning til et andet niveau end det du bruger til at lytte til radioen.

7. **REC OUT:** Du kan optage fra din Model One BT radio ved at tilslutte en båndoptagers audio input (eller anden optagelsesanordning) til dette stereo output med fastsat niveau. Du kan også bruge din Model One BT radio som en høj performance analog tuner ved at slutte den til audio inputtet på en forforstærker eller integreret forstærker. Den primære højttaler vil ikke være muted, når du bruger dette output. Dette stik accepterer en 3,5mm stereo han mini konektor.

Bluetooth Brug

Før parring skal du tjekke at din anordning understøtter Bluetooth, og at din anordning ikke er tilsluttet et andet Bluetooth produkt. Forskellige anordninger kan parre forskelligt. Nedenstående er en general guide.

1. Tænd for din Model One BT og sæt den til Aux positionen. Dette vil tænde for din Bluetooth. Start med at skrue ¼ op for lyden. Skru også op for lyden på kildeenheden (den enhed du streamer fra).
2. Tænd den Bluetooth trådløse teknologi på din aktiverede anordning.
3. Vælg "Tivoli Bluetooth (Ikke parret)" når den kommer op på din anordnings skærm for at begynde søgningen. Nogle anordninger beder dig om et PIN nummer. I så tilfælde indtaster du "0000". "Tivoli Bluetooth" vil skifte fra "Ikke parret" til "Forbundet".
4. Du vil høre en ringetone fra din Model One BT som bekræfter forbindelsen, og du kan nu begynde at spille dine musikfiler trådløst. Juster lydstyrken på din anordning. Det skulle ikke være nødvendigt at parre din anordning igen. **Afhængigt af hvilken enhed du bruger kan det være nødvendigt at prøve parring og/eller forbindelse til Model One BT flere gange, men giv venligst enheden tid nok til at parre eller forbinde før du gentager processen.**

Placering

Placer enheden på en flad, stabil overflade. Bloker ikke den nederste basport. Model One BT radioen er ikke beskyttet mod video og skal holdes mindst 12,7 cm væk fra en computer monitor eller et fjernsyn. Model One BT radioen kan anbringes lodret og vandret. Placering på en bogreol, et skab eller tæt på vægge eller hjørner kan gøre bassen stærkere.

Rengøring

Brug aldrig stærke rengøringsmidler eller opløsningsmidler på din radio. Undgå spray-on voks. Træk stikket ud på din Model One BT radio før rengøring. Forsiden kan rengøres med en let fugtig blød klud. Hvis du maler eller farver træskabet vil det ugyldiggøre garantien.

BEMÆRK: Tivoli Audio skabe er lavet af rigtig træfiner. Da der er stor variation indenfor naturtræ, er det ikke muligt at finde en præcis match for træfarve/-årer indenfor de forskellige modeller. Du kan også opleve at træ bliver mørkere med tiden, når det udsættes for sollys. Det er normalt for rigtig træ.

Begrænset Garanti

Tivoli Audio fremstiller sine produkter til meget høje standarder, og vi er overbeviste om, at vores produkter vil fungere godt. Derfor garanterer vi vores produkter mod fabrikationsfejl i materiale og udførelse til den oprindelige ejer i en periode på et år i USA og to år i Den Europæiske Union fra den oprindelige købsdato. I lande, hvor minimumsgarantibetingelser er bestemt ved lov, er garantiperioden den lovpligtige periode, der kræves. På alle andre placeringer er garantiperioden et år.

Denne garanti gælder ikke for skader forårsaget af ukorrekt installation, defekt tilbehør, ændringer, uautoriseret reparation, forsendelse eller tab af forsendelse, misbrug, ulykker, brug på forkert spænding / strøm, lyn eller andre handlinger fra Gud, normal slitage, kommerciel brug eller køb fra uautoriserede forhandlere. Købsbevis som bevis for, at enheden blev købt fra en autoriseret forhandler inden for garantiperioden, kan være påkrævet for garantiservice. Hvis service er nødvendig, skal du IKKE returnere produktet uden først at kontakte din forhandler eller Tivoli Audio.

Denne garanti kan ikke overdrages. Tivoli Audio betaler ikke for tab af tid, besvær, tab af brug af produktet eller skader forårsaget af dette produkt.

Denne garanti giver dig specifikke juridiske rettigheder, og du kan også have andre rettigheder, der varierer fra stat til stat. Nogle stater tillader ikke begrænsninger af underforståede garantier eller udelukkelse af følgeskader, og derfor gælder disse begrænsninger muligvis ikke for dig.

For mere information om garanti, besøg os på www.tivoliaudio.com

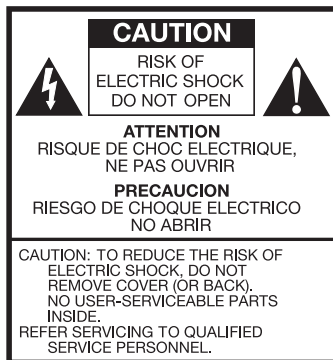
For information om europæisk garanti, se venligst www.tivoliaudio.eu

Specifikationer

Model:	Model One BT™
Type:	AM/FM mono bordradio med Bluetooth trådløs teknologi
Driver:	En 76,2 mm (3") driver med fuld rækkevidde
Dimensions:	21,3 cm B x 11,4 cm H x 13,3 cm D (8,375" B x 4,5" H x 5,25" D)
Weight:	1,88 kg (4,14 engelske pund)

Specifikationer kan ændres uden varsel. Tivoli Audio forbeholder sig retten til at lave produktændringer uden varsel. Tivoli Audio, Tivoli Audio logoet, og Model One BT er varemærker tilhørende Tivoli Audio, Inc. Bluetooth ordmærket og logoer er registrerede varemærker som ejes af Bluetooth SIG, Inc. og enhver form for brug af Tivoli Audio er under licens. Andre varemærker og varenavne tilhører deres respektive ejere.





Dieses Symbol warnt den Bediener vor nicht isolierter, „gefährlicher“ elektrischer Spannung im Gerätegehäuse, die hoch genug sein kann, um zu elektrischen Schlägen zu führen.



Dieses Symbol weist den Bediener auf wichtige Anweisungen zur Bedienung und Wartung des Geräts in der begleitenden Literatur hin.

Wichtige Sicherheitsanweisungen

1. Lesen Sie diese Anweisungen sorgfältig durch.
2. Bewahren Sie diese Anweisungen auf.
3. Beachten Sie alle Warnhinweise.
4. Befolgen Sie alle Anweisungen.
5. Halten Sie dieses Gerät von Wasser fern. Verwenden Sie dieses Gerät beispielsweise nicht in der Nähe einer Badewanne, in einem feuchten Keller, in der Nähe eines Swimmingpools und dergleichen. ACHTUNG! Setzen Sie das Gerät nicht Regen oder Feuchtigkeit aus.
6. Reinigen Sie das Gerät nur mit einem trockenen Tuch.
7. Stellen Sie sicher, dass die Belüftungsöffnungen nicht versperrt sind. Schließen Sie das Gerät gemäß den Anweisungen des Herstellers an.
8. Schließen Sie das Gerät nicht in der Nähe von Wärmequellen wie z. B. Heizkörpern, Heizauslässen, Öfen oder anderen wärmeerzeugenden Geräten (inklusive Verstärkern) an.
9. Setzen Sie die Sicherheitsfunktion des verpolungssicheren oder geerdeten Steckers nicht außer Kraft. Ein verpolungssicherer Stecker ist mit zwei unterschiedlich breiten Kontakten ausgestattet. Ein geerdeter Stecker ist neben den zwei Kontakten außerdem mit einem Massekontakt ausgestattet. Der breite Kontakt bzw. der Massekontakt dient Ihrer Sicherheit. Falls der gelieferte Stecker nicht in Ihre Steckdose passt, wenden Sie sich zum Austausch der entsprechenden Steckdose bitte an einen Elektriker.
10. Stellen Sie sicher, dass nicht auf das Stromkabel getreten oder das Kabel geknickt wird, insbesondere an Steckern, Steckdosen und der Stelle, an welcher das Kabel am Gerät austritt.
11. Benutzen Sie ausschließlich die vom Hersteller angegebenen Anbau- und Zubehörgeräte.
12. Verwenden Sie nur Wagen, Ständer, Stativ, Halter oder Tische, die vom Hersteller benannt oder im Lieferumfang des Geräts befindlich sind. Wenn Sie einen Wagen benutzen, seien Sie vorsichtig beim Bewegen des Wagens / Gerätes, um Verletzungen durch Umkippen zu vermeiden.
13. Ziehen Sie den Stecker dieses Gerätes bei Gewittern oder bei längerer Nichtverwendung heraus.
14. Betreiben Sie das Gerät nur mit den auf der Rückseite angegebenen Stromquellen. Verwenden Sie bei Geräten mit einer externen Stromversorgung im Fall von Verlust oder Beschädigung nur ein identisches Ersatzteil. Entnehmen Sie bei Geräten mit einer Batteriestromversorgung dem Benutzerhandbuch die



notwendigen Informationen.

15. Ziehen Sie das Gerät von der Steckdose ab und lassen Sie die Wartungsarbeiten von qualifiziertem Fachpersonal durchführen, wenn Folgendes passiert ist:
 - a. Das Stromversorgungskabel oder der Stecker ist beschädigt.
 - b. Flüssigkeit wurde auf das Gerät verschüttet oder Gegenstände sind hineingefallen.
 - c. Das Gerät wurde Wasser oder Regen ausgesetzt.
 - d. Das Gerät funktioniert nicht ordnungsgemäß, obwohl die Bedienungsanleitung befolgt wird.
 - e. Das Gerät wurde fallen gelassen oder auf andere Weise beschädigt.
 - f. Das Gerät weist eine deutliche Veränderung der Leistung auf.
16. Wenn Ersatzteile benötigt werden, stellen Sie sicher, dass Servicetechniker Original-Ersatzteile vom Hersteller, oder Ersatzteile mit identischen Eigenschaften, verwenden. Durch falsche Ersatzteile können Feuer, Stromschlag oder andere Gefahren entstehen.
17. Bitten Sie den Techniker nach Beendigung einer Dienstleistung einen Sicherheitscheck durchzuführen, um zu bestätigen, dass das Produkt in einem einwandfreien Betriebszustand ist.
18. Halten Sie das Gerät von spritzender oder tropfender Flüssigkeit fern. Stellen Sie keine Gegenstände auf das Gerät, die Flüssigkeit enthalten, wie beispielsweise Vasen oder Trinkgläser.
19. Der empfohlene Betriebstemperaturbereich liegt zwischen 5°C und 40°C (41°F und 104°F).
20. Der 12 VDC-Eingang ist für den Betrieb dieses Produkts auf einem Boot oder Camper mit einem optional erhältlichem 12 VDC 1A Adapter vorgesehen.
21. Halten Sie das Gerät in sicherer Entfernung zu offenen Flammen, wie z. B. brennenden Kerzen.
22. WARNUNG - Die Stromversorgung ist in der Aus-Position nicht getrennt, aber die Stromkreisläufe sind unterbrochen.
23. Kanada entspricht der RSS210, ICES-003.
24. Der Stecker des Stromkabels dient als Trennvorrichtung und muss leicht zugänglich bleiben.
- 25.



WARNUNG: DIE AM MODEL ONE ANGEBRACHTTE TELESKOPANTENNE SOLL NICHT GELÖST WERDEN.

Dieses Produkt ist recyclingfähig. Produkte mit diesem Symbol dürfen NICHT im normalen Hausmüll entsorgt werden. Entsorgen Sie das Produkt am Ende der Nutzungsdauer bei einer ausgewiesenen Recycling-Sammelstelle für elektrische und elektronische Geräte. Weiterführende Informationen über Rücknahme- und Sammelstellen erhalten bei Ihren örtlichen Behörden.

Die europäische WEEE-Richtlinie (Elektro- und Elektronikgerätegesetz) wurde eingeführt, um die Abfallmenge auf Mülldeponien erheblich zu verringern und so die Umweltauswirkungen auf unseren Planeten und die Gesundheit der Menschen zu reduzieren. Handeln Sie bitte verantwortungsbewusst, indem Sie Altgeräte dem Recycling zuführen. Falls das Produkt noch verwendbar sein sollte, sollten Sie ein Verschenken oder einen Weiterverkauf in Betracht ziehen.



Model One BT Anleitung

Herzlichen Glückwunsch zum Kauf des Model One BT Tischradios. Mit dem Zusatz von Bluetooth Wireless Technologie können Sie Ihre Musik drahtlos auf Ihr Model One BT übertragen und wiedergeben.

Sicherlich sind Sie gespannt darauf, Ihr neues Radio zu benutzen. Wir möchten Sie jedoch bitten, sich einen Moment Zeit zu nehmen und diese Bedienungsanleitung sowie die Sicherheitshinweise durchzulesen. Zögern Sie nicht, bei Fragen Ihren Händler oder Tivoli Audio zu kontaktieren.

Bitte bewahren Sie den Karton und die Originalverpackung sorgfältig auf. Sollten Sie diese eventuell in Zukunft benötigen, um Ihr Radio zur Reparatur einzusenden, können durch falsche/unsachgemäße Verpackung entstehende Transportschäden nicht durch die Werksgarantie abgedeckt werden.

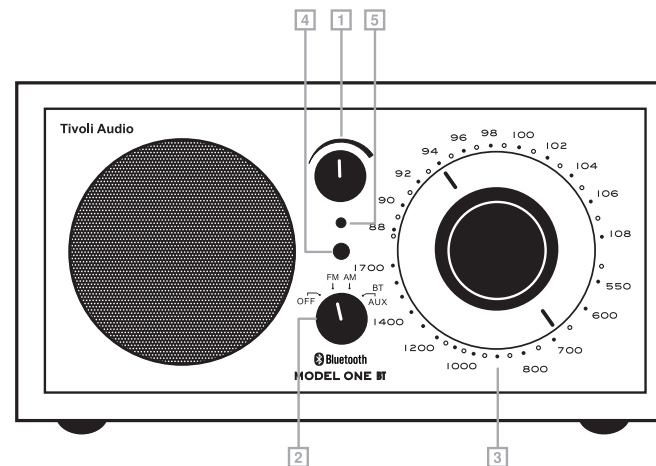
Im Namen von Tivoli Audio möchten wir uns herzlich für Ihren Kauf bedanken. Wir wünschen Ihnen viel Spaß und Freude mit Ihrem neuen Model One BT Radio.

Lieferumfang neben dem Model One BT an sich:

- (1) Externe Stromversorgung/Stecker
- (1) UKW Teleskopantenne

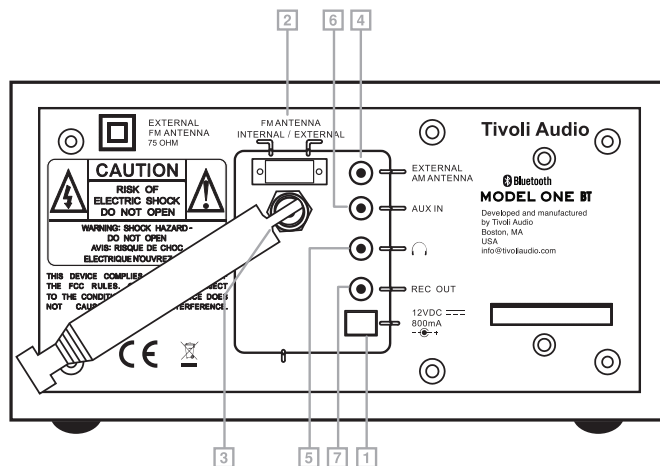
Bitte informieren Sie Ihren Händler oder Tivoli Audio direkt, wenn Sie Bestandteile des Lieferumfangs vermissen.

Funktionen: Frontseite des Geräts



1. **LAUTSÄRKEREGLER:** Drehen Sie den Lautstärkeregler nach rechts um die Lautstärke zu erhöhen, bzw. nach links um die Lautstärke zu verringern. Dieser Knopf regelt ebenfalls die Lautstärke des Kopfhörerausgangs.
2. **OFF/FM/AM/AUX REGLER:** Drehen Sie den Knopf einen Klick nach rechts um UKW Frequenz, zwei Klicks nach rechts um MW Frequenz und drei Klicks nach rechts um den AUX-Eingang auszuwählen. Drehen Sie Den Knopf nach die AUX Position um die Bluetooth Funktion zu starten. Folgen Sie bitte anschließend den in der Bedienungsanleitung (Kapitel "Bluetooth Betrieb") aufgeführten Schritten.
3. **ABSTIMMUNG:** Drehen Sie den Regler zur Abstimmung der Sender bzw. zur Suche nach Radio-stationen (oberer Frequenzbereich für UKW, unterer Frequenzbereich für MW) nach links oder rechts.
4. **LED FEINABSTIMMUNG:** Bei optimaler Abstimmung leuchtet diese Kontrollleuchte hell auf. Diese Anzeige könnte bei bestimmten AM-Stationen mit schwachem Signal nicht funktionieren, so dass Sie die Abstimmung nach Gehör vornehmen müssen.
5. **LED "STROMVERSORUNG":** Diese grüne Kontrollleuchte leuchtet auf, wenn das Gerät eingeschaltet ist.

Funktionen: Rückseite des Geräts



- 12VDC/1,5A:** Benutzen Sie diesen Eingang um ein optionales 12VDC 1,5A Netzteil (zur Anwendung auf einem Boot oder im Camper) anzuschließen. Der Stecker muß 5,5 mm/2,1 mm Innenpol positiv sein.
- FM ANTENNEN ANSCHLUSS:** Wahlschalter zur Selektion zwischen Interner und externer Antenne.
- EXTERNE UKW FM ANBINDUNG:** Wenn Sie Radio hören (abhängig vom jeweiligen Land), befestigen Sie die im Lieferumfang enthaltene Antenne an diesem F Adapter oder passen Sie Position und Richtung der Teleskopantenne an. In Gegenden mit starkem UKW-Signal könnten Sie einen besseren Empfang erzielen, wenn Sie die Antenne nicht ganz ausziehen. Wenn das Gerät ausgeschaltet ist oder auf den MW (AM)-Bereich eingestellt ist, sollten Sie die Antenne einziehen, so dass sie gut geschützt ist. Die Ausrichtung der Antenne hat keinen Einfluss auf den Empfang im MW-Bereich.
- EXTERNE MW (AM) ANBINDUNG:** In einigen Fällen kann der MW Empfang verbessert werden, indem man eine externe MW Antenne (nicht im Zubehör enthalten) anbringt. Dieser Anschluss benötigt einen 3,5mm Klinkenstecker. Für weitere Informationen wenden Sie sich bitte an Ihren Fachhandelspartner.
- KOPFHÖRERAUSGANG:** Stereoausgang zum Anschluss eines Kopfhörers. Bei Anschluss eines Kopfhörers wird der Lautsprecher des Geräts automatisch abgeschaltet.
- AUX IN:** Stereoeingang zum Anschluss einer Stereo- oder Monoquelle (CD-Player, Fernseher, u.a.). Die Aux-In-Buchse ist nicht verfügbar, wenn ein Bluetooth-Gerät angeschlossen ist.
HINWEIS: Sie müssen zuerst alle Bluetooth-Geräte ausstecken, um die kabelgebundene Aux-In-Funktion nutzen zu können.
- REC OUT:** Sie können das Model One auch als High Performance Analog Tuner nutzen, indem Sie es an den Audio Eingang eines Vorverstärkers oder integrierten Verstärkers anschließen. Der interne Lautsprecher wird nicht stumm geschaltet, wenn Sie diesen Ausgang nutzen. Dieser Anschluss benötigt ein 3,5mm Klinkenstecker (Stereo).

Bluetooth Betrieb

Überprüfen Sie vor dem Koppeln ob Ihr Gerät Bluetooth unterstützt und ob es nicht schon an einem anderen Bluetooth-Gerät angeschlossen ist. Geräte können unterschiedlich koppeln. Hier eine allgemeine Anleitung:

- Drehen Sie den Regler des Model One BT nach die Aux-Position. Dies startet die Bluetooth-Funktion. Erhöhen Sie die Ausgangslautstärke etwa um 1/4.
- Schalten Sie Bluetooth Funktechnik an Ihrem Bluetooth-fähig Gerät ein (z.B. MP3 Player, Handy, etc).
- Wählen Sie "Tivoli Bluetooth (Nicht Verbunden)", wenn es auf Ihrem Gerät angezeigt wird, um die Suche zu initiieren. Bei einigen Geräten erscheint nun eine PIN Abfrage. Falls ja, geben Sie "0000" ein. "Tivoli Bluetooth" wechselt von "Nicht Verbunden" auf "Verbunden".
- Sie werden einen Klingelton aus dem Model One BT hören. Hierdurch wird die BT-Verbindung bestätigt und Sie können mit der drahtlosen Musikwiedergabe beginnen. Bringen Sie die Lautstärke auf Ihrem Bluetooth fähigem Gerät in eine angemessene Position. Versuchen Sie nicht das Gerät erneut zu koppeln. **Je nach Gerät ist es möglich, dass Sie mehrere Versuche benötigen, um eine Kopplung und/oder Verbindung mit dem Model One BT herzustellen. Bitte lassen Sie Ihrem Gerät zum Koppeln oder Verbinden genügend Zeit, bevor Sie den Vorgang wiederholen.**

Platzierung

Stellen Sie das Gerät auf eine ebene, stabile Oberfläche. Blockieren Sie nicht den unteren Bassanschluss. Das Model One BT-Radio ist nicht videogeschirmt und sollte mindestens 12,7 cm von einem Computermonitor oder Fernseher entfernt sein. Das Model One BT-Radio kann sowohl vertikal als auch horizontal positioniert werden. Die Platzierung in einem Bücherregal, einem Schrank oder in der Nähe von Wänden oder Ecken kann den Bass aufblasen.

Reinigung

Verwenden Sie keine scharfen Reinigungs- oder Lösungsmittel. Vermeiden Sie Spray-on Wachse. Trennen Sie das Model One BT Radio vor der Reinigung vom Netz. Die Oberfläche kann mit einem leicht angefeuchteten, weichen Tuch gereinigt werden. Durch Bemalen oder Färben des Holzgehäuses oder der Front erlischt Ihr Garantiesanspruch.

HINWEIS: Ein Tivoli Audio Model One BT Korpus wird aus Echtholz furnieren hergestellt. Da Naturholz stark variiert, ist es nicht möglich unterschiedliche Modelle in identischer Holzfarbe / Maserung zu produzieren. Beachten Sie auch, dass sich einige Oberflächen (vor allem Walnuss) im Laufe der Zeit verdunkeln können. Hierbei handelt es sich um einen natürlichen Prozess, welcher je nach Lichteinfall/Licht-einwirkung variieren kann. Hierbei handelt es sich um einen für Echtholz normalen Prozess.

Beschränkte Garanti

Tivoli Audio stellt seine Produkte nach sehr hohen Standards her und wir sind zuversichtlich, dass unsere Produkte eine gute Leistung erbringen werden. Dementsprechend gewähren wir dem ursprünglichen Eigentümer für den Zeitraum von einem Jahr in den USA und zwei Jahren in der Europäischen Union ab dem ursprünglichen Kaufdatum eine Garantie auf Herstellungsfehler in Material und Verarbeitung gegenüber dem ursprünglichen Eigentümer. Für Länder, in denen die Mindestgarantiebedingungen gesetzlich festgelegt sind, ist die Garantiezeit die erforderliche gesetzliche Frist. An allen anderen Standorten beträgt die Garantiezeit ein Jahr.

Diese Garantie erstreckt sich nicht auf Schäden, die durch unsachgemäße Installation, fehlerhafte Zusatzausrüstung, Modifikationen, nicht autorisierte Reparaturen, Transportschäden oder -verluste, Missbrauch, Unfälle, Verwendung bei unsachgemäßer Spannung / Strom, Blitzschlag oder andere höhere Gewalt, normale Abnutzung, gewerbliche Schäden verursacht wurden Verwendung oder Kauf bei nicht autorisierten Händlern. Für den Garantieservice kann ein Kaufnachweis als Nachweis dafür erforderlich sein, dass das Gerät innerhalb der Garantiezeit bei einem autorisierten Händler gekauft wurde. Sollte ein Service erforderlich sein, senden Sie das Produkt NICHT zurück, ohne vorher Ihren Händler oder Tivoli Audio zu kontaktieren.

Diese Garantie ist nicht übertragbar. Tivoli Audio übernimmt keine Kosten für Zeitverlust, Unannehmlichkeiten, Nutzungsausfall des Produkts oder durch dieses Produkt verursachte Schäden.

Diese Garantie gewährt Ihnen bestimmte gesetzliche Rechte und Sie haben möglicherweise auch andere Rechte, die von Staat zu Staat unterschiedlich sind. In einigen Staaten sind keine Einschränkungen impliziter Garantien oder der Ausschluss von Folgeschäden zulässig. Daher gelten diese Einschränkungen möglicherweise nicht für Sie.

Weitere Informationen zur Garantie erhalten Sie unter www.tivoliaudio.com

Informationen zur europäischen Garantie finden Sie unter www.tivoliaudio.eu

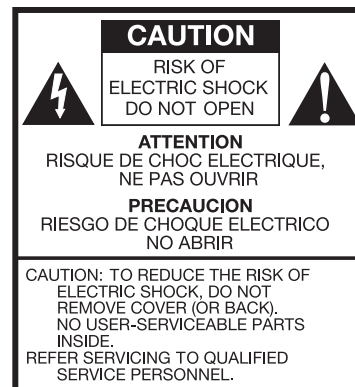
Technische Daten

Modell:	Model One BT™
Typ:	AM/FM Mono Tischradio mit Bluetooth Wireless-Technologie
Driver:	Ein 76.2 mm (3") Treiber für gesamten Bereich
Dimensions:	21.3 cm W x 11.4 cm H x 13.3 cm D (8.375" W x 4.5" H x 5.25" D)
Weight:	1.88 kg (4.14 lbs)

Technische Änderungen vorbehalten.

Tivoli Audio behält sich technische Änderungen ohne Ankündigung vor.

Tivoli Audio, das Tivoli Audio Logo und der Modellname Model One BT sind eingetragene Warenzeichen der Firma Tivoli Audio, Inc. Die Bluetooth Wortmarke und-Logos sind eingetragene Warenzeichen der Bluetooth SIG, Inc. und jede Verwendung dieser Marken durch die Tivoli Audio erfolgt unter Lizenz.



Este símbolo pretende alertar al usuario de la presencia de "voltaje peligroso" sin aislamiento dentro del producto., que puede ser suficiente para constituir un riesgo de descarga eléctrica a las personas.



Este símbolo pretende alertar al usuario de la presencia de instrucciones de operación y mantenimiento (Servicio) en la literatura que acompaña al aparato.

Instrucciones de Seguridad

1. Lea estas instrucciones.
2. Conserve este manual.
3. Preste atención a todas las advertencias.
4. Siga todas las instrucciones.
5. ADVERTENCIA - Para reducir el riesgo de incendio o descarga eléctrica no exponga este product al agua o la humedad.
6. Lávelo solamente con un paño seco.
7. No obstruya ninguna de las aberturas de ventilacion. Instalelo de acuerdo con las instrucciones del fabricante.
8. No instale el producto cerca de fuentes de calor tales como radiadores, salidas de calefacción, estufas ni otros aparatos (Incluyendo amplificadores) que produzcan calor.
9. No anule la protección proporcionada por el conector de toma a tierra. Una toma de alimentación posee una toma a tierra para su seguridad. Si la toma proporcionada no coincide con las tomas de su sistema de distribución consulte a un electricista para reemplazar la toma obsoleta. No sobrecargue las tomas ni las extensiones de alimentación.
10. Proteja el cable de alimentación de pisadas y pinchazos, especialmente en las tomas de alimentación, en los lugares expuestos al tránsito y en el punto en el que sale del aparato.
11. Utilice sólo los accesorios o complementos especificados por el fabricante.
12. Sitúe la unidad sobre el soporte, trípode, carrito, estantería o mesa especificados por el fabricante o vendido con el aparato. Cuando se use un carrito, tenga precaución a la hora de moverlo para evitar daños por caída.
13. Desenchufe este aparato durante tormentas eléctricas o cuando no se utilice por largos periodos de tiempo.
14. Opere este producto sólo desde el tipo de fuente de alimentación indicada en el panel trasero. Para productos que utilicen una fuente de alimentación externa, utilice un recambio exacto si esta es extraviada o dañada. Para productos que operen alimentados con baterías, dirijase al manual del usuario.



15. Desconecte este producto y diríjalo a personal de servicio cualificado bajo las siguientes circunstancias:
 - a. Cuando el cable o conector de alimentación esté dañado.
 - b. Si se ha derramado líquido u objetos han caído dentro del producto.
 - c. Si el producto se ha expuesto a agua o lluvia.
 - d. Si el producto no funciona normalmente aún siguiendo las instrucciones.
 - e. Si el producto ha sufrido una caída o se ha dañado en algún modo.
 - f. Cuando el producto exhibe un marcado cambio en su funcionamiento.
16. Cuando sea necesario reemplazar piezas, asegúrese de que su técnico de servicio utilice las piezas especificadas por el fabricante o con las mismas características que la pieza original. Las sustituciones no autorizadas pueden ocasionar incendios, descargas eléctricas u otros peligros.
17. Al finalizar cualquier servicio, pida al técnico que realice comprobaciones de seguridad para confirmar que el producto está en buenas condiciones de funcionamiento.
18. No exponga este producto a goteos o pérdidas. Objetos que contengan líquidos, como recipientes o vasos para beber no deben ser colocados encima de este producto.
19. La temperatura recomendada de operación es entre 5°C y 40°C (41°F -104°F).
20. La entrada de 12 VDC es adecuada para el funcionamiento de este producto en un barco o una caravana con una 12 VDC opcional, fusionado 1 A adaptador.
21. Mantenga este producto a una distancia segura de la llama directa, por ejemplo, una vela encendida.
22. ADVERTENCIA - La red eléctrica no está desconectada en la posición de apagado, pero los circuitos son des-alimentado.
23. Canadá cumple con RSS210, ICES-003.
24. El cable de alimentación sirve como dispositivo de desconexión y debe permanecer fácilmente accesible.



ADVERTENCIA: EL MODELO EN EL QUE SE ADHIERA UNA ANTENA TELESCÓPICA EXTERNA NO DEBE SEPARARSE.

Este producto puede ser reciclado. Los productos identificados con este símbolo NO deben ser arrojados con desperdicios domésticos normales. Cuando la vida de este producto llegue a su fin, llévelo hasta un punto de recogida específica de reciclado de dispositivos eléctricos y electrónicos. Infórmese sobre la localización de puntos de recolección a través de sus autoridades locales.

La Directiva Europea de Desperdicios Eléctricos y Electrónicos (WEEE) fue implementada para reducir drásticamente la cantidad de desperdicios en los basureros, y por ende reducir el impacto negativo sobre la salud del planeta y humana. Por favor actúe responsablemente reciclando productos usados. Si este producto se encuentra aún en condiciones de funcionamiento, considere cederlo o venderlo.



Model One BT Instrucciones

Felicitaciones por su compra del Model One BT radio de mesa. Con la incorporación de tecnología inalámbrica Bluetooth, puedes transmitir tu música de forma inalámbrica a la Model One BT.

Sabemos que está ansioso por utilizar su nueva radio, pero por favor tome un momento para leer este manual del propietario e instrucciones de seguridad. Si usted tiene alguna pregunta, por favor no dude en ponerse en contacto con su distribuidor o Tivoli Audio.

Por favor, guarde la caja y el embalaje original por si tiene que transportar el radio, daños durante el transporte no está cubierto por la garantía de fábrica.

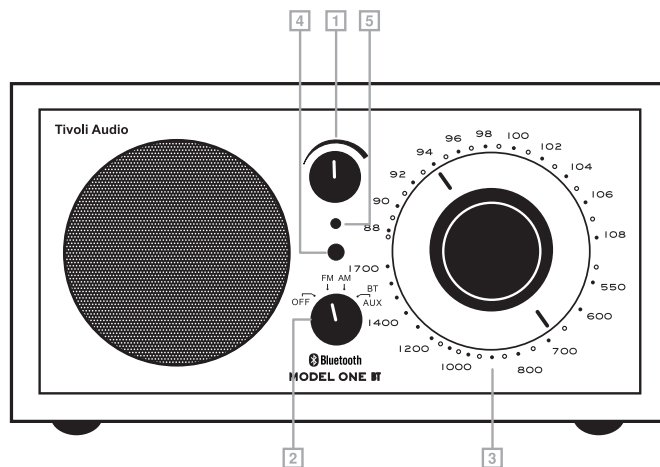
En nombre de todos nosotros, gracias por la elección de Tivoli Audio y disfrutar de su nuevo Model One BT de radio.

Equipado con su Model One BT usted debe encontrar cada uno de los siguientes elementos:

- (1) UKW Teleskopantenne
- (1) Antena telescópica FM

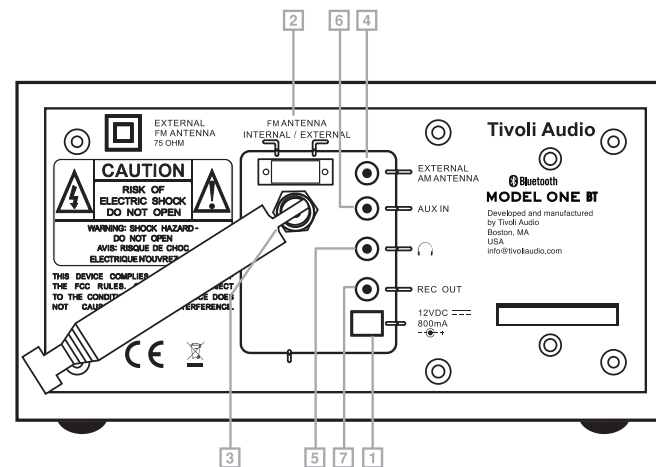
Por favor, póngase en contacto con su distribuidor o Tivoli Audio, si cualquiera de estos artículos están perdidos.

Guía De Características (Frente)



- BOTON DE VOLUMEN:** Gire el botón de volumen hacia la derecha para aumentar el volumen y hacia la izquierda para reducirlo. Este botón controla también el volumen de la salida de auriculares.
- BOTON OFF/FM/AM/AUX:** Gire el botón una posición hacia la derecha para escuchar la banda de FM, dos posiciones para escuchar la banda de AM y tres posiciones para seleccionar la entrada auxiliar. Para activar Bluetooth, cambie a la posición de auxiliar y siga los pasos descritos en la "Bluetooth Operación".
- SINTONIZACIÓN:** Gire el botón de sintonización a la derecha o a la izquierda para modificar el rango de frecuencia. El indicador de sintonización alcanza el máximo de luminosidad cuando se logra la mejor sintonización posible. Algunas estaciones AM, débiles pero que pueden escucharse, no hacen encender el indicador de sintonización y tendrán que sintonizarse hasta lograr la señal más clara y más alta posible.
- INDICADOR DE SINTONIZACIÓN:** Se enciende una luz de color ámbar cuando se ha logrado la mejor sintonización posible. En algunas estaciones de la AM el indicador de sintonización no se enciende: tendrán que sintonizarse a oído para lograr la señal más clara.
- LUZ DE ALIMENTACIÓN:** Se enciende una luz verde cuando la unidad está funcionando.

Guía De Características (Parte Trasera)



- 12VDC/1,5A:** Utilice esta entrada para conectar el Model One BT a una fuente de energía de corriente continua.
- SELECTOR DE ANTENA FM:** Escoja entre la antena interna o externa aquí.
- CONEXION FM EXTERNA:** Cuando escuche FM, dependiendo del país, tendrá que conectar el cable de antena incluido en accesorios, en el conector F, o bien ajustar la antena exterior telescópica. En lugares donde la señal FM es fuerte, puede mejorar la recepción reduciendo la longitud de la antena. Cuando la unidad está apagada o cuando escucha la AM, mantenga la antena retraída para protegerla. La antena no tiene ninguna influencia en la recepción AM. Para más detalles vea el apartado "Recepción".
- CONEXIÓN AM EXTERNA:** En algunas ocasiones la recepción de AM puede mejorarse conectando una antena de AM (no incluida) a esta entrada, que acepta un conector mini estéreo de 3.5mm. Para más detalles vea el apartado "Recepción".
- SALIDA DE AURICULARES:** Conecte a este conector una clavija de auriculares para escuchar con auriculares. Al introducir la clavija se desactivará el altavoz principal.
- AUX IN:** Conecte a esta entrada estéreo una fuente de sonido estéreo o mono (lector de CD's o televisor). La entrada auxiliar no está disponible cuando un dispositivo Bluetooth está conectado. Primero debe desconectar cualquier dispositivo Bluetooth para poder usar la función de la entrada auxiliar.
- REC OUT:** El Model One BT puede utilizarse como sintonizador separado pasando del "record out" a un amplificador. Utilizando esta salida, también puede grabar en mono.

NOTA: Es posible que deba ajustar el nivel de volumen de manera diferente para un dispositivo auxiliar que el nivel utilizado para escuchar la radio.

Bluetooth Operación

Antes de realizar la vinculación, verifique que el dispositivo compatible con Bluetooth y el dispositivo no está conectado con cualquier producto Bluetooth. Los dispositivos pueden vincularse de manera diferente. A continuación se muestra una guía general.

1. Encienda el Model One BT en la posición de auxiliar. Esto permite vincular Bluetooth. Suba el volumen alrededor de ¼ de empezar. Suba también el volumen en el dispositivo fuente, (el dispositivo desde el cual está transmitiendo el audio).
2. Encienda la tecnología inalámbrica Bluetooth en el dispositivo habilitado.
3. Seleccione "Tivoli Bluetooth (Not Paired)" cuando aparece en la pantalla de su dispositivo para iniciar la búsqueda. Algunos dispositivos pueden solicitar un PIN. Si es así, introduzca "0000". "Tivoli Bluetooth" cambiará de "Not Paired" a "Connected".
4. Oirá un tono de llamada en el Model One BT confirmando la conexión y podrá empezar a escuchar sus archivos de música de forma inalámbrica. Ajuste el nivel del volumen en su dispositivo. Usted no debería tener que emparejar el dispositivo de nuevo. **Dependiendo de su dispositivo, quizá necesite hacer intentos múltiples para emparejarlo y/o conectarlo al Model One BT, pero dele un tiempo adecuado a su dispositivo para que se empareje o conecte antes de repetir el proceso.**

Colocación

Coloque la unidad sobre una superficie plana y estable. No bloquee el puerto de graves inferior. La radio Model One BT no está blindada contra video y debe mantenerse al menos a 12,7 cm de un monitor de computadora o televisión. La radio Model One BT se puede colocar tanto vertical como horizontalmente. La colocación en una estantería, armario o cerca de paredes o esquinas puede inflar los graves.

Limpieza

Nunca use limpiadores abrasivos o solventes en su radio. Evite rociar sprays sobre las ceras o lacados. Desenchufe el Model One BT la radio antes de la limpieza. Puede ser limpiado con un paño suave y un poco húmedo. Pintar o teñir la caja de madera implica la anulación de la garantía.

Las variaciones en el color y el grano son características de la madera real y dan a la caja de su belleza natural. Como resultado, el acabado de la caja puede no coincidir con otros productos de Tivoli Audio.

También tenga en cuenta algunos acabados, en particular, de nogal, se puede oscurecer con el tiempo de exposición a la luz. Esto es normal para un producto de madera natural.

NOTA: cajas de Tivoli Audio utilizan chapas de madera auténtica. Dado que la madera natural varía mucho, no es posible lograr un exacto madera de color / grano partido entre los modelos. También puede observar la madera se oscurecen con el tiempo con la exposición a la luz del sol. Una vez más, esto es normal para la madera real.

Garantía Limitada

Tivoli Audio fabrica sus productos con estándares muy altos y estamos seguros de que nuestros productos funcionarán bien. En consecuencia, garantizamos nuestros productos contra defectos de fabricación en materiales y mano de obra al propietario original, por un período de un año en los Estados Unidos y dos años en la Unión Europea a partir de la fecha original de compra. Para los países donde los términos de garantía mínimos están determinados por ley, el período de garantía es el período legal requerido. En todas las demás ubicaciones, el plazo de garantía es de un año.

Esta garantía no se extiende a los daños causados por una instalación incorrecta, equipos auxiliares defectuosos, modificaciones, reparaciones no autorizadas, daños o pérdidas durante el envío, abuso, accidentes, uso con voltaje / corriente inadecuados, rayos u otros casos fortuitos, desgaste normal, uso comercial utilizar o comprar a distribuidores no autorizados. Es posible que se requiera un comprobante de compra como prueba de que la unidad se compró a un distribuidor autorizado dentro del período de garantía para el servicio de garantía. En caso de que sea necesario repararlo, NO devuelva el producto sin antes ponerse en contacto con su distribuidor o con Tivoli Audio.

Esta garantía no es transferible. Tivoli Audio no pagará la pérdida de tiempo, las molestias, la pérdida de uso del producto o los daños causados por este producto.

Esta garantía le otorga derechos legales específicos y también puede tener otros derechos que varían de un estado a otro. Algunos estados no permiten limitaciones en las garantías implícitas o la exclusión de daños consecuentes, por lo tanto, estas restricciones pueden no aplicarse en su caso.

Para obtener más información sobre la garantía, visítenos en www.tivoliaudio.com

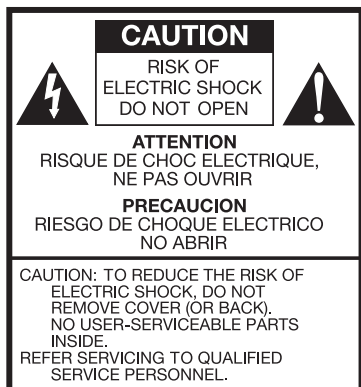
Para obtener información sobre la garantía europea, visite www.tivoliaudio.eu

Especificaciones

Modelo:	Model One BT™
Tipo:	AM/FM de radio mono mesa con tecnología inalámbrica Bluetooth
Conductor:	Un 76,2 mm (3") gama completa de frecuencias
Dimensione:	21,3 cm W x 11,4 cm H x 13,3 cm D (8,375" W x 4,5" H x 5,25" D)
Peso:	1,88 kg (4,14 lbs)

Todas las especificaciones están sujetas a cambio sin previo aviso. Tivoli Audio se reserva el derecho a realizar cambios en el producto sin previo aviso. Tivoli Audio, el logo de Tivoli Audio, y Model One BT son marcas registradas de Tivoli Audio, Inc. La marca Bluetooth y sus logotipos son marcas comerciales registradas propiedad de Bluetooth SIG, Inc. y cualquier uso de dichas marcas por parte de Tivoli Audio se encuentra bajo licencia.






Ce symbole vous averti du risque de choc électrique pour l'utilisateur du fait de la présence à l'intérieur de l'appareil de courant électrique non isolé.



Ce symbole vous averti de l'existence d'importantes instructions d'utilisation et de maintenance dans le mode d'emploi joint à l'appareil.

Précautions D'emploi

1. Lisez ce mode d'emploi.
 2. Conservez ce mode d'emploi.
 3. Respectez toutes les mises en garde.
 4. Suivez toutes les instructions.
 5. N'utilisez pas cet appareil près d'une source d'eau, telle qu'une baignoire, un sous-sol humide, ou une piscine. Attention : ne pas exposer cet appareil à la pluie ou au risque de moisissure.
 6. Nettoyez votre appareil avec un chiffon doux, n'utilisez ni savon, ni produit aerosol.
 7. Ne bloquez pas les ouvertures de ventilation. Suivez les recommandations d'installation.
 8. N'exposez pas votre appareil à des sources de chaleur telles que la cheminée, le radiateur ou un amplificateur.
 9. Raccordez votre appareil au secteur en respectant les normes de sécurité courantes.
 10. Placez le câble d'alimentation de manière telle qu'il ne soit pas dans le passage.
 11. N'utilisez que les accessoires fournis avec votre appareil.
 12. Utilisez uniquement le chariot, un trépied, une console ou table spécifiés par le fabricant, ou vendu avec l'appareil. Quand un chariot est utilisé, soyez prudent lorsque vous déplacez l'ensemble chariot / appareil afin d'éviter toute blessure en cas de chute.
- 
13. Débranchez votre appareil en cas de risque de foudre ou pendant une absence prolongée de votre domicile.
 14. Contrôlez la correspondance entre la tension électrique de votre installation et le voltage requis pour votre appareil.
 15. En cas de problème technique, débranchez votre appareil et faites le parvenir au service technique qualifié en particulier:
 - a. Si le cordon d'alimentation est endommagé.
 - b. Si du liquide s'est introduit dans l'appareil.
 - c. Si votre appareil a séjourné sous la pluie ou de l'eau.
 - d. Si votre appareil ne fonctionne pas normalement.
 - e. Si votre appareil est tombé ou a été endommagé.
 - f. Si les performances de votre appareil sont affectées d'une quelconque manière.

16. Lorsque des pièces de rechange sont nécessaires, assurez-vous de votre technicien a utilisé des pièces de rechange spécifiées par le fabricant ou ayant les mêmes caractéristiques que la pièce d'origine. Des substitutions non autorisées peuvent causer un incendie, de choc électrique, ou d'autres dangers.
17. À la fin de tout service, demandez au technicien d'effectuer des contrôles de sécurité pour confirmer que le produit est en bon état de fonctionnement.
18. N'exposez pas cet appareil a des projections d'eau. Les objets contenant du liquide ne doivent pas être placés à proximité de votre appareil ou au dessus.
19. La température de fonctionnement de votre appareil est de 5 à 40° C (41°F -104°F).
20. L'entrée 12 VDC est adapté pour utiliser ce produit dans un bateau ou camping-car en utilisant un 12 VDC en option, 1 A fusionné adaptateur.
21. Une antenne externe ne doit pas être installée au dessus de lignes électriques ou risquer de tomber sur une ligne ou des circuits électriques. Ceci pourrait représenter un danger mortel.
22. AVERTISSEMENT - Les conduites ne sont pas déconnectés de la position d'arrêt, mais les circuits ne sont pas alimentés.
23. Le Canada se conforme à la norme RSS210, ICES-003.
24. Le cordon d'alimentation sert de dispositif de déconnexion et doit rester facilement accessible.

⚠ AVERTISSEMENT: L'ANTENNE TÉLESCOPIQUE D'UN MODÈLE EXTERNE FIXÉ N'EST PAS DESTINÉE À ÊTRE DÉTACHÉE.

Cet appareil peut être recyclé. Les produits portant ce symbole ne doivent pas être jetés avec les ordures ménagères. En fin de vie, vous devez déposer votre appareil dans un point de collecte de produits électriques et électroniques. Pour plus d'informations, vous pouvez contacter votre revendeur ou l'agence locale de l'environnement.

La Directive européenne pour l'élimination des déchets d'équipements électriques et électroniques (DEEE) a été mise en application pour réduire de manière importante la quantité de déchets afin de diminuer l'impact écologique sur la planète et sur la santé. Agissez de manière responsable en recyclant les produits usagers. Si ce produit est toujours en état de fonctionnement, pensez à le vendre ou à le donner.



Model One BT Instructions

Félicitations pour votre achat de la radio de table Model One BT. Avec l'ajout de la technologie Bluetooth sans fil, vous pouvez écouter votre musique sans fil grâce au Model One BT.

Nous savons que vous êtes impatients d'utiliser votre nouvelle radio, mais s'il vous plaît un moment pour lire ce manuel d'utilisation et ses consignes de sécurité. Si vous avez des questions, n'hésitez pas à contacter votre revendeur ou directement Tivoli Audio.

S'il vous plaît conservez le carton et l'emballage d'origine au cas où vous aurez besoin d'expédier votre radio. Les dommages liés au transport ne sont pas couverts par la garantie d'usine.

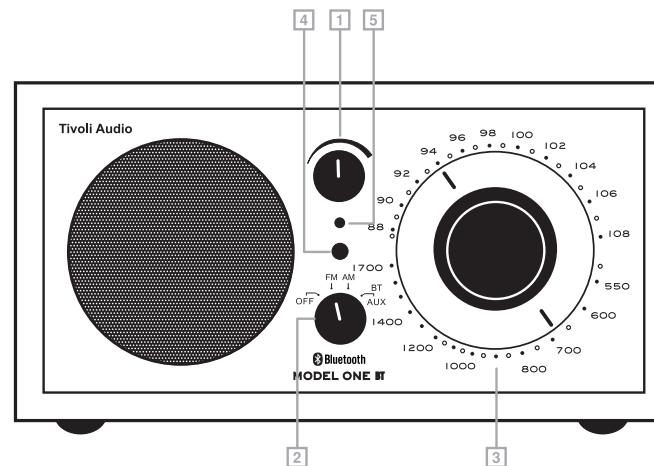
Au nom de nous tous, je vous remercie d'avoir choisi Tivoli Audio et profitez de votre nouvelle radio Model One BT.

Livré avec votre Model One BT, vous devriez trouver:

- (1) Alimentation externe et prises d'accompagnement
- (1) Antenne télescopique FM

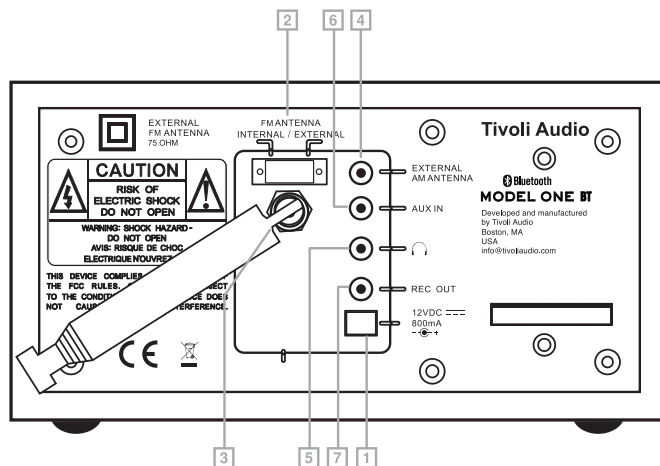
S'il vous plaît contactez votre revendeur ou Tivoli Audio, si n'importe lequel de ces éléments est manquant.

Guide Des Fonctions (Partie Avant)



1. **BOUTON DE VOLUME:** Tourner le bouton de volume vers la droite pour augmenter le volume ou vers la gauche pour le réduire. Ce bouton contrôle également la sortie casque.
2. **SÉLECTEUR OFF/FM/AM/AUX:** Tourner ce bouton d'un cran vers la droite pour écouter la FM (Modulation de fréquence), deux crans pour écouter la AM (Ondes moyennes), ou de 3 crans pour l'entrée auxiliaire (Aux). Pour activer la fonction Bluetooth, passez à la position auxiliaire et suivez les étapes décrites dans l'"Utilisation de Bluetooth".
3. **SYNTONIE:** Tourner le bouton vers la droite ou vers la gauche pour varier la fréquence. L'indicateur de syntonie devient lumineux au maximum lorsque la syntonie est optimale. Certaines stations AM qui ont un signal faible, mais perceptible, ne provoquent pas l'allumage de l'indicateur de syntonie; il faut alors effectuer la syntonie «à l'oreille»
4. **INDICATEUR SYNTONIE:** Emet une lumière couleur amber clair lorsque la syntonie est excellente. Certaines stations AM qui ont un signal faible, mais perceptible, ne provoquent pas l'allumage de l'indicateur de syntonie; il faut alors effectuer la syntonie «à l'oreille» pour optimiser la qualité du signal.
5. **VOYANT ALIMENTATION:** Emet une lumière verte lorsque l'appareil est allumé.

Guide Des Fonctions (Partie Arrière)



1. **12VDC/1,5A:** Utiliser cette entrée pour faire fonctionner le Modèle Uno avec une alimentation en c.c.
2. **COMMUTATEUR ANTENNE FM:** Permet de sélectionner l'antenne interne ou l'antenne externe.
3. **CONNECTEUR FM EXTERNE:** Lorsque vous écoutez la bande FM, selon le pays habité, faites glisser le fil d'antenne sur ce connecteur F, ou ajustez la position et l'antenne télescopique. Dans les lieux où le signal FM est fort, la réception générale est améliorée en réduisant la longueur de l'antenne. Lorsque l'appareil n'est pas utilisé ou que l'on écoute des stations en AM, laisser l'antenne en position rentrée pour éviter de l'abîmer accidentellement. Cette antenne n'a aucun effet sur la réception en AM.
4. **CONNECTEUR AM EXTERNE:** Dans certains cas la réception en AM peut être améliorée par l'utilisation d'une antenne externe (non fournie), raccordée sur ce connecteur par l'intermédiaire d'un mini jack 3,5 mm.
5. **SORTIE CASQUE:** Raccorder à ce connecteur une fiche à jack séparée pour le casque pour
6. **AUX IN:** Raccorder une source audio stéréo ou mono (par exemple: un lecteur de CD ou un téléviseur) à cette entrée stéréo. REMARQUE: La prise Aux In n'est pas disponible lorsqu'un périphérique Bluetooth est connecté. Avant de pouvoir utiliser la fonction câblée Aux In vous devez d'abord déconnecter tous les périphériques Bluetooth.
7. **REC OUT:** Le Modèle Uno peut être utilisé en tant que syntoniseur séparé en accordant la sortie REC OUT à un amplificateur. Cette sortie permet également d'enregistrer en monophonie.

Utilisation De Bluetooth

Avant de chercher à vous connecter, vérifiez la compatibilité de votre appareil avec la technique Bluetooth. Assurez-vous que votre appareil n'est pas déjà couplé à un autre accessoire Bluetooth. Selon les appareils, le mode d'appairage peut varier. Mode de couplage général:

1. Allumez votre Model One BT sur la position Aux. Ceci activera le Bluetooth. Réglez le volume à ¼ au début. Veillez également à augmenter le volume de votre périphérique source (le périphérique à partir duquel vous transmettez).
2. Activez le Bluetooth sur votre appareil.
3. Sélectionnez « Tivoli Bluetooth (non connecté) » lorsqu'il apparaît sur l'écran de votre appareil afin de démarrer la recherche. Si votre appareil vous demande une clé de connexion, tapez « 0000 ». L'indication devant Tivoli Bluetooth passera de « Non connecté » à « Connecté ».
4. La connexion sera confirmée par l'émission d'un bip sonore au niveau du Model One BT. Vous pouvez maintenant envoyer « sans fil » vos fichiers musicaux. Ajustez le niveau sonore de votre appareil. Vous ne devriez pas avoir à effectuer de nouveau cette procédure pour retrouver la connexion. **Selon le modèle de votre périphérique, il se peut qu'il soit nécessaire de faire plusieurs tentatives d'Appairage et/ou de Connexion au Model One BT ; veillez cependant à laisser suffisamment de temps à votre périphérique pour l'Appairage ou la Connexion avant de répéter l'opération.**

Nettoyage

Ne jamais utiliser de nettoyants ou de solvants agressifs sur votre radio. Éviter que la pulvérisation sur les cires. Débranchez le Model One BT avant de le nettoyer. Le visage peut être nettoyé avec un chiffon doux légèrement humide. Peindre ou teindre le coffret en bois annulera votre garantie.

REMARQUE : Les enceintes Tivoli Audio sont réalisées en véritable plaqué bois. Comme les variations dans le bois naturel sont importantes, il n'est pas possible d'obtenir une uniformité totale de teinte/grain du bois d'un modèle à l'autre. Vous pourrez remarquer qu'au fil du temps le bois exposé aux rayons du soleil adopte une teinte plus sombre. Là encore, cela est normal pour le bois véritable.

Garantie limitée

Tivoli Audio fabrique ses produits selon des normes très élevées et nous sommes convaincus que nos produits fonctionneront bien. En conséquence, nous garantissons nos produits contre les défauts de fabrication de matériel et de fabrication au propriétaire d'origine, pour une période d'un an aux États-Unis et de deux ans dans l'Union européenne à compter de la date d'achat initiale. Pour les pays où les conditions minimales de garantie sont déterminées par la loi, la période de garantie est la période légale requise. Dans tous les autres pays, la durée de la garantie est d'un an.

Cette garantie ne s'étend pas aux dommages causés par une installation incorrecte, un équipement auxiliaire défectueux, des modifications, des réparations non autorisées, des dommages ou des pertes d'expédition, des abus, des accidents, une utilisation sur une tension / courant incorrect, la foudre ou d'autres catastrophes naturelles, l'usure normale utiliser ou acheter auprès de revendeurs

non autorisés. Une preuve d'achat comme preuve que l'unité a été achetée auprès d'un revendeur agréé pendant la période de garantie peut être requise pour le service de garantie. Si une réparation est nécessaire, veuillez NE PAS renvoyer le produit sans avoir préalablement contacté votre revendeur ou Tivoli Audio.

Cette garantie n'est pas transférable. Tivoli Audio ne paiera pas pour la perte de temps, les inconvénients, la perte d'utilisation du produit ou les dommages causés par ce produit.

Cette garantie vous donne des droits légaux spécifiques et vous pouvez également avoir d'autres droits qui varient d'un état à l'autre. Certains états n'autorisent pas les limitations des garanties implicites ou l'exclusion des dommages indirects, par conséquent, ces restrictions peuvent ne pas s'appliquer à vous.

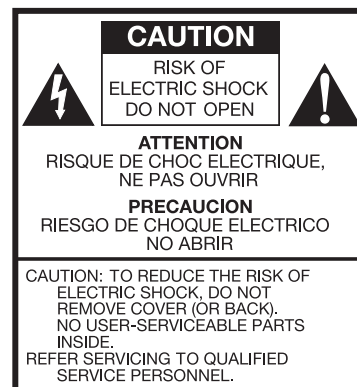
Pour plus d'informations sur la garantie, veuillez nous rendre visite à www.tivoliaudio.com

Pour des informations sur la garantie européenne, veuillez visiter www.tivoliaudio.eu

Spécifications

Modèle:	Model One BT™
Type:	Radio AM/FM table mono avec la technologie Bluetooth sans fil
Driver:	Un 76,2 mm (3") d'attaque pleine gamme
Dimensions:	21,3 cm W x 11,4 cm H x 13,3 cm D (8,375" W x 4,5" H x 5,25" D)
Poids:	1,88 kg (4,14 lbs)

Tivoli Audio se réserve le droit de modifier ses produits sans préavis. Tivoli Audio, les logos Tivoli Audio et Model One BT sont des marques déposées, propriétés de Tivoli Audio Inc. Produits et design protégés par des brevets. La marque Bluetooth et les logos sont des marques déposées appartenant à Bluetooth SIG, Inc et toute utilisation de ces marques par Tivoli Audio est sous licence.



Questo simbolo serve per segnalare all'utente le presenza di "tensioni pericolose" non isolate all'interno del guscio del prodotto che potrebbero essere sufficienti per rappresentare un pericolo di shock elettrico per le persone.



Questo simbolo serve per segnalare all'utente la presenza di importanti istruzioni di manutenzione (assistenza) e utilizzo nella documentazione che accompagna il dispositivo.

Importanti Istruzioni Di Sicurezza

1. Leggete queste istruzioni.
2. Conservare queste istruzioni.
3. Rispettare tutte le avvertenze.
4. Seguite tutte le istruzioni.
5. ATTENZIONE - Per ridurre il rischio di shock elettrici, non esponete questo prodotto alla pioggia o all'umidità.
6. Pulire solo con un panno asciutto.
7. Non bloccare le aperture di ventilazione. Installare secondo le istruzioni del produttore.
8. Non installare vicino a fonti di calore come radiatori, termosifoni, stufe o altri apparecchi (inclusi amplificatori) che producono calore.
9. Non annullare l'obiettivo di sicurezza della spina polarizzata o di terra spina. Una spina polarizzata ha due lame, una più larga dell'altra. Una spina con messa a terra ha due lame e un terzo polo di terra. La lama larga o le punte terzi sono forniti per la vostra sicurezza. Se la spina fornita non entra nella presa, consultare un elettricista per la sostituzione della presa obsoleta.
10. Proteggere il cavo elettrico da calpestamento o pieghe in particolare su spine, spazi di comodo, punto di uscita dall'apparecchio.
11. Utilizzare solo annessi/accessori specificati dal produttore.
12. Utilizzate solo il carrello, l'appoggio, il treppiede, o il tavolo specificato dal produttore, o venduto con il dispositivo. Quando si usa un carrello, fate prudenza nel movimentare la combinazione di dispositivo e carrello per evitare infortuni dovuti al rovesciamento.
13. Scollegare questa unità in caso di temporali o quando rimane inutilizzata per lunghi periodi.
14. Utilizzate il prodotto solo con il tipo di alimentazione indicato sul pannello posteriore. Per prodotti che usano un alimentatore esterno, utilizzate un alimentatore sostitutivo esattamente uguale in caso di perdita o danneggiamento dell'originale. Per prodotti che utilizzano batterie, fate riferimento alle istruzioni nel manuale utente.



15. Scollegate questo prodotto dalla presa a muro e portatelo in riparazione a personale qualificato se si verifica una delle seguenti condizioni:
 - a. Quando il cavo di alimentazione o la presa sono danneggiati.
 - b. Se del liquido è colato o degli oggetti sono caduti sul prodotto.
 - c. Se il prodotto è stato esposto a acqua o pioggia.
 - d. Se il prodotto non funziona normalmente seguendo le istruzioni di utilizzo.
 - e. Se il prodotto è stato fatto cadere o danneggiato in altro modo.
 - f. Quando il prodotto mostra un importante degrado delle prestazioni.
16. Quando parti di ricambio sono necessari, assicurarsi che il tecnico abbia utilizzato parti di ricambio specificate dal produttore o aventi le stesse caratteristiche di quelli originali. Sostituzioni non autorizzate possono causare incendi, scosse elettriche o altri pericoli.
17. Al termine di qualsiasi servizio, chiedere al tecnico di eseguire controlli di sicurezza per confermare il prodotto è in perfette condizioni operative.
18. Il dispositivo non deve essere esposto a gocciolamenti o spruzzi, né oggetti con liquidi devono essere posti sul dispositivo.
19. La temperatura di utilizzo raccomandata va da 5°C a 40°C (41°F a 104°F).
20. L'ingresso 12 VDC è adatto per il funzionamento di questo prodotto in una barca o camper usando un 12 VDC optional, 1 A fusi adattatore.
21. Non esporre il dispositivo a spruzzi o liquidi colanti. Oggetti contenenti liquidi come vasi o bicchieri non devono essere collocati sopra il prodotto.
22. ATTENZIONE - La rete non venga interrotta in posizione off, ma i circuiti sono de-alimentati.
23. Canada conforme RSS210, ICES-003.
24. La spina del cavo di alimentazione costituisce il dispositivo di scollegamento e deve essere sempre facilmente accessibili.



ATTENZIONE: IL APPOSTO MODEL ONE BT ANTENNA TELESCOPICA ESTERNA NON DEVE ESSERE STACCATO.

Questo prodotto può essere riciclato. I prodotti che mostrano questo simbolo NON devono essere buttati via con i normali rifiuti domestici. Alla fine della vita utile del prodotto, portatelo in un punto di conferimento designato al riciclo di dispositivi elettrici ed elettronici. Chiedete al servizio pubblico più vicino a voi informazioni sui punti di riconsegna e di raccolta.

La Direttiva Europea sui rifiuti di apparecchiature elettriche ed elettroniche (RAEE) è stata realizzata per ridurre drasticamente il volume di rifiuti interrati riducendo di conseguenza l'impatto ambientale sul pianeta e sulla salute umana. Agite responsabilmente riciclando i prodotti usati. Se questo prodotto è ancora utilizzabile, prendete in considerazione la possibilità di consegnarlo ad altri o venderlo.



Model One BT Istruzioni

Congratulazioni per l'acquisto della radio da tavolo Model One BT. Con l'aggiunta di tecnologia wireless Bluetooth, è possibile trasmettere la tua musica in modalità wireless alla Model One BT.

Sappiamo che siete ansiosi di utilizzare la nuova radio, ma vi preghiamo di prendere un momento per leggere questo manuale e istruzioni di sicurezza. Se avete domande, non esitate a contattare il proprio rivenditore o Tivoli Audio.

Si prega di conservare la scatola e l'imballo originale. Dovesse essere mai necessario spedire la radio, il danno di trasporto non è coperto dalla garanzia di fabbrica.

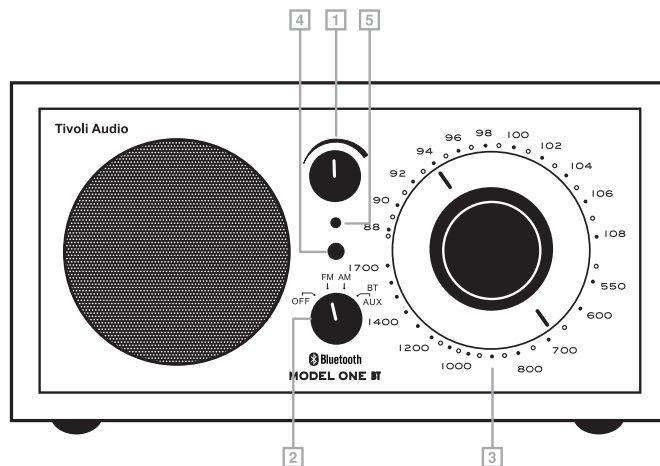
A nome di tutti noi, grazie per aver scelto Tivoli Audio. Vi auguriamo di godere della vostra nuova Model One BT radio.

Nella confezione con la Model One BT si dovrebbe trovare:

- (1) Alimentatore esterno e relative prese
- (1) Antenna telescopica FM

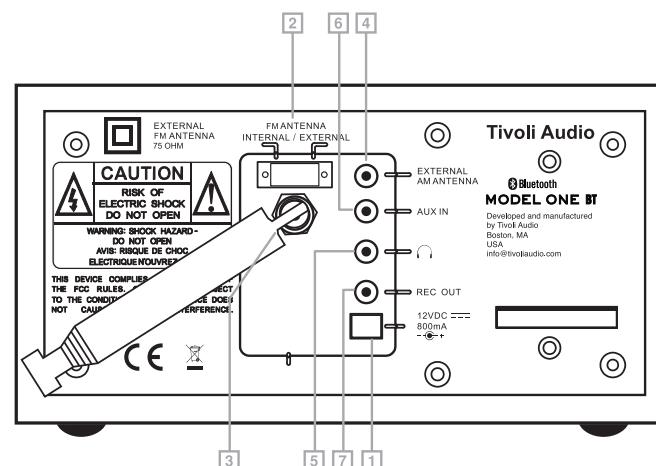
Si prega di contattare il proprio rivenditore o Tivoli Audio se uno qualsiasi di questi elementi è mancante.

Guida Alle Funzioni (Parte Anteriore)



- CONTROLLO VOLUME:** Ruotare la manopola verso destra per aumentare il volume o verso sinistra per diminuirlo. Questa manopola controlla anche il volume dell'uscita cuffia.
- CONTROLLO OFF/FM/AM/AUX:** Ruotate la manopola di uno scatto a destra per ascoltare la banda FM, due scatti a destra per la banda AM, oppure tre scatti a destra per selezionare la sorgente ausiliaria (aux). Per attivare Bluetooth, passare alla posizione di ingresso ausiliario e seguire la procedura descritta nella sezione "Operazioni Bluetooth".
- SINTONIA:** Ruotare la manopola verso destra o verso sinistra per variare la frequenza. L'indicatore di sintonia assume la massima luminosità quando si ottiene la sintonia ottimale. Alcune stazioni AM dal segnale debole ma comunque percepibile non provocano l'accensione dell'indicatore di sintonia; esse devono essere sintonizzate "a orecchio".
- INDICATORE SINTONIA:** emette una luce color ambra chiaro quando la sintonia è ottimale. Alcune stazioni AM dal segnale debole ma comunque percepibile non provocano l'accensione dell'indicatore di sintonia; pertanto occorre effettuare la sintonia "a orecchio" per ottimizzare la qualità del segnale.
- SPIA ALIMENTAZIONE:** emette una luce verde quando l'apparecchio è attivo.

Guida Alle Funzioni (Parte Posteriore)



- 12VDC/1,5A:** Utilizzare questo ingresso per far funzionare il Modello Uno con alimentazione in c.c.
- SELETTORE ANTENNA FM:** Consente di selezionare l'antenna interna oppure quella esterna.
- PRESA EXTERNAL FM:** Quando si ascolta la banda FM, in dipendenza dalla vostra nazione, inserite l'antenna con cavo nel connettore a "F", o sistemate la nazione dell'antenna telescopica. Nelle località in cui il segnale FM è forte, la ricezione in genere migliora riducendo la lunghezza dell'antenna. Quando l'apparecchio non viene utilizzato o quando si ascoltano stazioni in AM, tenere l'antenna in nazione retratta per evitare che venga danneggiata accidentalmente. Questa antenna non ha alcun effetto sulla ricezione in AM.
- PRESA EXTERNAL AM:** In alcuni casi la ricezione AM può essere migliorata inserendo un'antenna AM esterna (non in dotazione) su questo connettore che accetta un mini-jack maschio da 3,5mm.
- PRESA CUFFIA:** Collegare a questo connettore uno spinotto a jack separato per la cuffia per ascoltare il Modello Uno in cuffia. L'inserimento della cuffia disattiva l'altoparlante principale.
- AUX IN:** Collegare una sorgente audio stereo o mono (per esempio: un riproduttore di CD o un televisore) a questo ingresso stereo. NOTA: La presa jack Aux In non è disponibile quando è collegato un dispositivo Bluetooth. Per utilizzare la funzione Aux In collegata, è necessario innanzitutto scollegare qualsiasi dispositivo Bluetooth.
- REC OUT:** Il Modello Uno può essere utilizzato come sintonizzatore separato collegando l'uscita REC OUT a un amplificatore. È anche possibile registrare in monofonia utilizzando questa uscita.

Operazioni Bluetooth

Prima di eseguire la procedura accoppiamento, verificare che il tuo dispositivo supporti Bluetooth e che il dispositivo non sia connesso ad alcun altro prodotto Bluetooth. Le periferiche si possono accoppiare in modi diversi. Qui di seguito una guida generale.

1. Accendere la Model One BT nella posizione di ingresso ausiliario. Questo attiva il Bluetooth. Alzare il volume di circa ¼ per iniziare. Aumentare il volume sul dispositivo sorgente (il dispositivo da cui si sta effettuando lo streaming).
2. Attivare la tecnologia wireless Bluetooth sul dispositivo abilitato.
3. Iniziare la ricerca e selezionare “Tivoli Bluetooth (Not Accoppiato)” quando questo messaggio appare sullo schermo del tuo dispositivo. Alcuni dispositivi possono richiedere un PIN. In tal caso, inserire “0000”. “Tivoli Bluetooth” cambierà da “Non Accoppiato” a “Connesso”.
4. Sentirete un tono dalla Model One BT a conferma del collegamento e si potrà iniziare a riprodurre i vostri file musicali in modalità senza fili. Regolare il livello del volume del dispositivo. Non dovrebbe essere necessario accoppiare lo stesso dispositivo un'altra volta. **In base al dispositivo utilizzato, potrebbe essere necessario effettuare più tentativi di Accoppiamento e/o Connessione del Model One BT. Concedere al dispositivo il tempo necessario per l'Accoppiamento o la Connessione prima di ripetere il procedimento.**

Pulizia

Non utilizzare mai detergenti aggressivi o solventi sulla radio. Evitare di spruzzare cere. Scollegare la radio Model One BT prima della pulizia. Il frontale può essere pulito con un panno leggermente umido, panno morbido. Colorare o la macchiare il mobile in legno invalida la garanzia.

Le variazioni di colore e grana sono le caratteristiche del legno vero e danno alla cassa la sua bellezza naturale. Come risultato, la finitura della cassa può non corrispondere ad altri prodotti Tivoli Audio.

Si noti inoltre che alcune finiture, in particolare il noce, può scurirsi nel tempo per esposizione alla luce. Questo è normale per un prodotto di legno naturale.

NOTA: Tivoli Audio armadi utilizza impiallaccature di vero legno. Poiché il legno naturale si diversifica molto, non è possibile ottenere un esatto tono di colore / grana tra due modelli. Si può inoltre notare come il legno scurisca con il tempo e l'esposizione alla luce solare. Ancora una volta, questo è normale per il vero legno.

Garanzia limitata

Tivoli Audio produce i suoi prodotti secondo standard molto elevati e siamo fiduciosi che i nostri prodotti funzioneranno bene. Di conseguenza, garantiamo i nostri prodotti contro difetti di fabbricazione nei materiali e nella lavorazione al proprietario originale, per un periodo di un anno negli Stati Uniti e due anni nell'Unione Europea dalla data di acquisto originale. Per i paesi in cui i termini minimi di garanzia sono determinati dalla legge, il termine di garanzia è il periodo legale richiesto. In tutte le

altre località, il periodo di garanzia è di un anno.

Questa garanzia non si estende ai danni causati da installazione impropria, apparecchiature ausiliarie difettose, modifiche, riparazioni non autorizzate, danni o perdite di spedizione, abuso, incidenti, uso con tensione / corrente impropri, fulmini o altri atti di Dio, normale usura, utilizzare o acquistare da rivenditori non autorizzati. Per il servizio di garanzia potrebbe essere richiesta la prova di acquisto come prova che l'unità è stata acquistata da un rivenditore autorizzato entro il periodo di garanzia. In caso di assistenza, NON restituire il prodotto senza aver prima contattato il rivenditore o Tivoli Audio.

Questa garanzia non è trasferibile. Tivoli Audio non pagherà per perdite di tempo, inconvenienti, mancato utilizzo del prodotto o danni causati da questo prodotto.

Questa garanzia conferisce diritti legali specifici e potresti avere anche altri diritti che variano da stato a stato. Alcuni stati non consentono limitazioni alle garanzie implicite o l'esclusione di danni consequenziali, pertanto queste restrizioni potrebbero non essere applicabili.

Per ulteriori informazioni sulla garanzia, visitare il sito www.tivoliaudio.com

Per informazioni sulla garanzia europea, visitare www.tivoliaudio.eu

Specifiche Tecniche

Modello:	Model One BT™
Tipo:	AM/FM mono radio da tavolo con la tecnologia wireless Bluetooth
Driver:	76,2mm (3") driver full-range
Dimensioni:	21,3 cm W x 11,4 cm H x 13,3 cm D (8,375" W x 4,5" H x 5,25" D)
Peso:	1,88 kg (4,14 lbs)

Tutte le specifiche sono soggette a modifiche senza obbligo di preavviso. Tivoli Audio Si riserva il diritto di modificare il prodotto senza preavviso. Tivoli Audio, il logo Tivoli Audio, e Model One BT sono marchi registrati di Tivoli Audio, Inc. Il marchio e il logo Bluetooth sono marchi registrati di proprietà di Bluetooth SIG, Inc. e qualsiasi utilizzo di tali marchi da Tivoli Audio è sotto licenza.





이 경고표시는 제품의 내부에 사람에게 전기적인 충격의 위험을 줄 수 있는 절연되지 않은 충분한 규모의 위험한 전압이 있음을 사용자에게 알리는 표시입니다.



이 경고표시는 제품에 관련된 제품의 중요한 작동, 유지보수(고장수리)에 대한 사항을 사용자들에게 알리는 표시입니다.

안전을 위한 주의 사항 (IMPORTANT SAFETY INSTRUCTIONS)

- 본 주의사항을 반드시 읽어보십시오.
- 이 안내서를 항상 비치하여 주십시오.
- 모든 경고사항에 유의하여 주십시오.
- 모든 지시사항을 준수하여 주십시오.
- 경고-화재 또는 전기적인 위험을 줄이기 위하여 본 기기를 습기나 비에 노출시키지 말아 주십시오.
- 반드시 마른 천으로 청소하여 주십시오.
- 환기를 위한 어떠한 배출구도 막지 마시고 반드시 생산자의 지시에 따라 설치하십시오.
- 열의 근원이 되는 즉, 라지에터, 열조절기, 스토브 또는 앰프를 포함한 어떠한 열 발생 장치와는 가까이 설치하지 마십시오.
- 안전의 목적으로 구성된 전극이나 접지형태의 프러그를 절대 손상시키지 마십시오. 접지형의 프러그는 두개의 전극외에 세번째 프러그가 접지가 됩니다. 구조에 따라서 넓은쪽이나 세번째 프러그가 당신의 안전을 위한 접지선이며 만약 제공된 프러그가 콘센트에 맞지 않을 경우 전기기술자에게 상의하여 완벽한 제품으로 교체 사용하시기 바랍니다.
- 전원코드가 밝히거나 기기의 접속구 콘센트 등이 끼지 않게 보호하십시오.
- 부가장치나 부속품은 생산자가 지정한것만 사용하십시오.
- 카트, 스탠드, 삼각대, 브래킷 또는 테이블 사용시에는 생산자가 지정하는 것이나 제품과 함께 공급되는 것을 사용하십시오. 카트를 사용하여 운반 시 카트와 제품이 넘어져서 상처를 입지 않도록 조심하십시오.



- 폭풍, 번개가 있거나 장시간 사용하지 않을 경우 전원 프러그를 분리하십시오.
- 이 기기의 사용시 반드시 기기 후면에 표시된 규격의 전압을 사용하십시오. 외부 전원의 사용시 이 전원장치의 본질 또는 손상 시 반드시 정확한 규격의 제품으로 교환하시고 배터리 사용시에는 매뉴얼을 참고 하십시오.
- 다음과 같은 증상이 발견되면 즉시 전원코드를 분리하고 자격을 갖춘 서비스맨에게 서비스를 의뢰하십시오.
 - 전원코드나 프러그 가 파손된 경우
 - 기기에 물기가 스며들거나 기기에 물체가 떨어진 경우
 - 기기가 물이나 비에 노출된 경우
 - 기기의 작동 방식에 따라 정상적으로 작동이 되지 않는 경우
 - 기기가 작동 시 현저하게 다른 현상을 보이는 경우
- 부품의 교환이 요구될 경우 반드시 서비스 기술자에게 의뢰하도록 하며 생산자가 지정한 부품 또는 오리지널 부품과 동일한 특성의 부품으로 교환하도록 하십시오. 공인되지 않은 부품 사용시 화재, 전기적인 쇼크나 다른 위험한 결과를 초래할 수 있습니다.
- 서비스가 완료된 후 반드시 서비스 기술자에게 기기가 정상적으로 작동하는지 안전 점검을 받도록 하십시오.
- 기기를 물방울이 떨어지는 곳에 노출시키거나 화병과 같이 습기가 많은 곳에 설치하지 마십시오.
- 추천하는 작동 적정온도는 섭씨 5도 에서 40도 (화씨41도~104도) 사이입니다.
- 기기를 촛불 같은 불꽃으로 부터 안전한 거리를 유지하십시오.
- 기기의 12VDC 단자는 보트나 캠핑 등에서 사용하며 12VDC, 1A의 직류전원을 사용합니다.
- 주의-전원코드를 분리하지 않은 상태에서 전원 오프 상태일지라도 회로에는 전원이 공급되고 있으므로 주의하십시오.
- 기기의 전원코드가 기기에서 쉽게 분리되므로 시스템을 AC전원에 쉽게 접속할 수 있습니다.



주의- 모델 원 블루투스에 고정된 안테나는 분리하지 마십시오.

모델 원 블루투스 (MODEL ONE BT INSTRUCTIONS)

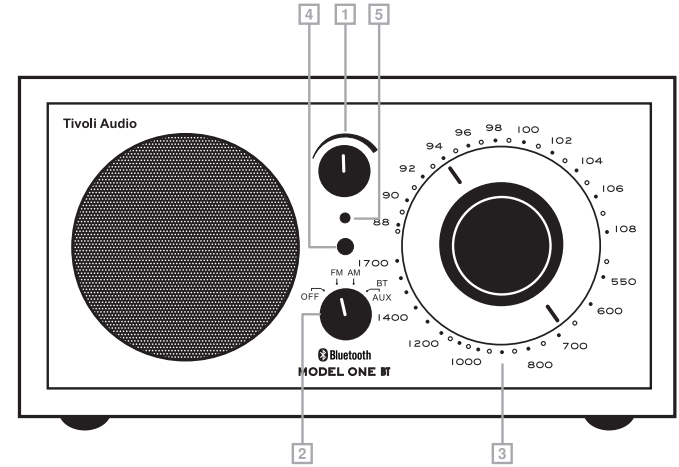
티볼리 모델 원 블루투스 테이블 라디오를 소유하게 되신 것을 진심으로 축하 드립니다. 본 기기는 현존하는 시장에서 가장 우수한 아날로그 모노 테이블 라디오이며 이 기기에 블루투스 무선 연결장치를 추가함으로써 당신의 음악을 무선으로 모델 원 블루투스 라디오로 들으실 수 있습니다.

새로운 기기를 당장 듣고 싶어지시겠지만 잠시 시간을 내어 사용자 매뉴얼과 안전 요령을 숙지하시기 바라며 혹시 의문사항이 있으시면 언제라도 서슴지 마시고 티볼리 오디오 국내 총 판매사인 한스무역 회사로 직접 또는 가까운 판매점을 접촉하시기 바랍니다.

혹시 있을지 모를 본 기기의 운송을 위해 최초의 박스와 부속물을 보관하시기 바랍니다. 운송중에 발생한 사고는 공장제조 보상 조건에 해당되지 않습니다.

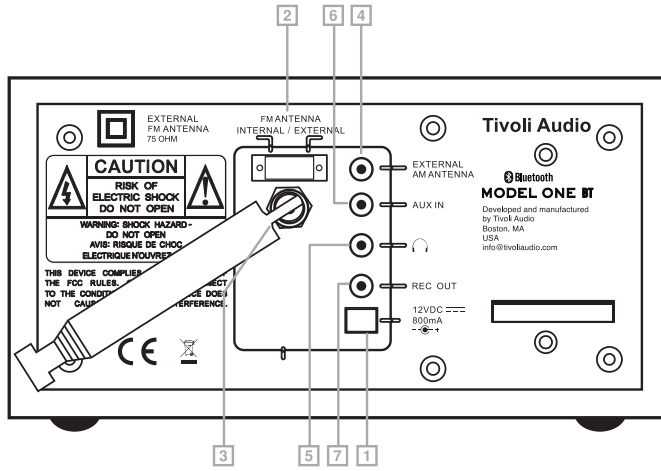
티볼리 오디오를 선택하여 주신데 대하여 다시 감사드리며 새로운 모델 원 블루투스 라디오를 잘 사용하시기 바랍니다.

사용방법: 전면 패널 (GUIDE TO FEATURES - FRONT)



- 1. 볼륨 조절 손잡이 VOLUME KNOB:** 이 볼륨조절 손잡이를 오른쪽으로 돌리면 음량이 증가하고 왼쪽으로 돌리면 감소하며 헤드폰 출력 조절 시에도 사용함.
- 2. 입력 전환 스위치 OFF/FM/AM/AUX:** 입력전환 스위치를 오른쪽으로 한 단계 돌리면 FM 수신, 두번째가 AM수신, 세번째가 보조입력 위치가 됩니다. 블루투스를 작동시키기 위해서는 보조입력 (Auxiliary position) 위치에 있어야 하며 블루투스 작동방법편을 참고하십시오.
- 3. 튜닝 손잡이 TUNING KNOB:** 이 다이얼 손잡이를 좌,우로 돌려서 FM 방송(상부다이얼) 또는 AM 방송(하부다이얼)을 선택합니다.
- 4. 튜닝 표시등 TUNING INDICATOR:** 이 튜닝 지시등이 가장 밝을 때가 최적의 수신상태가 됩니다. AM 수신 시 이 불이 들어오지 않을 수가 있으며 이때에는 귀로 청취하면서 최적의 상태로 조정합니다. 이 불은 보조입력 상태에서도 AM 다이얼의 위치에 따라 불이 들어오거나 꺼진 상태가 될 수 있습니다.
- 5. 원 표시등 POWER INDICATOR:** 전원표시등은 전원을 끄지 않은 한 어느 입력위치에 서도 불이 들어옵니다.

사용방법 기기후면 (GUIDE TO FEATURES - REAR PANEL)



- 12VDC/1.5A:** 보트나 캠핑이용자를 위해 준비된 직류 전원 12볼트 1.5A 용량의 전원을 연결하며 입력 코넥터의 규격은 외경/내경 이 5.5mm/2.1mm 이며 중앙이 양극(+) 전원입니다.
- FM 안테나 스위치 FM ANTENNA SWITCH:** FM 방송 수신용 내부, 외부 안테나 전환 스위치로서 AM 방송 수신에는 영향을 주지 않습니다.
- FM 외부안테나 연결단자 EXTERNAL FM CONNECTION:** 기본적으로 제공되는 FM 안테나를 이 F 커넥터에 연결하고 안테나 스위치를 외부(EXTERNAL) 위치로 전환하면 수신상태가 향상됩니다. FM 수신을 위하여 와이어 안테나를 연결하거나 부착된 확장형 안테나(Telescoping antenna)를 최적의 수신이 되도록 위치를 설정합니다. FM신호가 강한 지역에서는 안테나의 길이를 줄이는 것이 효과적일 수 있으며 사용을 하지 않거나 AM수신시에는 안테나 보호를 위해 완전히 접어두도록 합니다. 이 안테나는 AM수신시에는 영향을 주지 않습니다. 자세한 사항은 수신상태(RECEPTION)내용을 참고하시기 바랍니다.
- AM 외부안테나 연결단자 EXTERNAL AM CONNECTION:** AM 안테나 연결쪽에 안테나를 연결하면 수신상태가 향상됩니다(안테나는 제공되지 않음) 이때 접속되는 안테나 프리그의 규격은 3.5mm.
- 헤드폰 출력단자 HEADPHONE OUT:** 혼자 듣기 위한 헤드셋트를 연결하는 3.5mm 스테레오 단자로서 단자 접속 시 스피커는 묵음상태가 되고 헤드폰의 음량 조절은 전면 볼륨으로 조정합니다. 음의 손상을 방지하기 위해 지나치게 높은 볼륨은 피하여 주십시오.

6. 보조입력 단자 AUX IN: 다른 오디오 입력 즉, CDP, MP3, TV, 컴퓨터 등의 오디오를 본 기기에 연결할 경우 이 스테레오 잭에 연결하고 기기의 전면 입력 전환스위치를 AUX 로 전환합니다. AUX 위치로 전환한다고 해서 보조입력 전원이 켜지는 것은 아닙니다. 이 스테레오 입력은 3.5mm 미니스테레오 플러그로 입력되며 좌 우 스테레오 신호가 모노로 합치게 됩니다. 블루투스가 입력이 되면 이 보조 입력은 작동이 되지 않습니다. 따라서 이 보조입력을 사용시에는 우선적으로 블루투스 장치를 분리해야 합니다. 주의: 라디오 사용시와 보조입력 사용시 볼륨레벨이 다르므로 적절한 볼륨 조정이 필요합니다.

7. 녹음용 출력단자 REC OUT: 모델 원 블루투스의 신호를 카세트나 다른 녹음장치에 녹음시 고정출력 레벨의 이 단자에 연결합니다. 또한 이 모델 원 블루투스를 다른 프리앰프나 인터앰프에 연결하여 고성능 아날로그 튜너로 사용할 수 있습니다. 이 출력 사용시 본 기기의 스피커는 묵음이 되지 않으며 이 잭의 규격은 3.5mm 미니 스테레오 플러그입니다.

블루투스 작동방법 (Smart Phone BLUETOOTH OPERATION)

블루투스의 페어링 시도에 앞서 기기가 블루투스 를 지원하는지 그리고 당신의 기기가 다른 블루투스 장치에 연결되어 있지는 않은지를 확인해야 합니다. 현재 사용되는 국내의 스마트폰의 기기별로 페어링이 다를 수 있지만 일반적으로 다음과 같이 진행합니다.

1. 모델 원 블루투스의 전원을 켜고 입력을 보조 입력을 선택함으로 블루투스의 전원이 켜집니다. 볼륨을 1/4 정도 올리고 역시 스트리밍 할 소스기기의 볼륨도 적절히 올려줍니다
2. 동작용 기기에서 블루투스 무선기술을 작동시키면 자동적으로 “Tivoli Bluetooth” 가 진행되거나 기기 검색을 선택하시면 “Tivoli Bluetooth” 가 표시됩니다.
3. 당신의 기기의 스크린에서 “티볼리 블루투스” Tivoli Bluetooth” 를 선택합니다. 어떤 기기에서는 당신의 PIN 코드를 요구할 수 있는데 이때 “0000” 을 입력하시면 또는 입력없이 확인만 해주시면 “티볼리 블루투스” / “Tivoli Bluetooth” 가 페어링으로 변환될것입니다.
4. 이때 모델 원 블루투스에서 접속을 확인하는 링톤이 들려올것이며 이후 당신의 음악 화일을 무선방식으로 들으실 수 가있습니다. 이후에는 다시 페어링을 시도할 필요가 없지만 접속 기기의 내용에 따라 중복 시행할 경우도 있습니다. 그러나 중복시행을 하시기 전에 접속 또는 페어가 되도록 잠시 시간적 여유를 두시는 것이 필요합니다.

청 소 (CLEANING)

청소를 위해서 결코 독한 세제나 솔벤트는 절대 사용하지 마시고 스프레이 왁스도 삼가해 주십시오. 당신의 안전을 위하여 기기의 청소중에는 전원 코드를 분리하여 주십시오. 전면은 약간 축축한 부드러운 천을 사용하여 청소합니다. 우드캐비닛에 색칠을하는 경우에는 Warranty/보상조건이 소멸됩니다.

티볼리 오디오의 목재 캐비닛의 색상과 입자의 차이는 자연목의 특징이며 자연의 아름다움을 전해줍니다. 결과적으로 캐비닛의 마감이 다른 티볼리 제품과 일치하지 않을 수 있습니다.

Note: 티볼리 오디오의 캐비닛은 자연목 베니어를 사용합니다. 자연목이 매우 다양하기 때문에 정확한 나무의 색상과 입자 무늬 등을 모델간 일치 시키는 것이 매우 불가능합니다. 또한 시간이 지나면서 햇빛에 노출에 따른 색상의 미세한 변화 또한 나무제품의 자연적인 현상임을 양지하시기 바랍니다.

제한 보증 (limited warranty)

Tivoli Audio는 매우 높은 표준에 따라 제품을 제조하며 우리 제품이 잘 작동 할 것이라고 확신합니다. 따라서 당사는 원래 구매 일로부터 미국에서는 1년, 유럽 연합에서는 2년 동안 재료 및 제조상의 제조상의 결함에 대해 제품을 원래 소유자에게 보증합니다. 최소 보증 기간이 법령에 의해 결정되는 국가의 경우 보증 기간은 필요한 법정 기간입니다. 다른 모든 지역에서는 보증 기간이 1년입니다.

이 보증은 부적절한 설치, 잘못된 보조 장비, 수정, 무단 수리, 배송 손상 또는 손실, 남용, 사고, 부적절한 전압 / 전류에서의 사용, 번개 또는 기타 천재 지변, 정상적인 마모, 상업으로 인한 손상에는 적용되지 않습니다. 사용 또는 승인되지 않은 딜러로부터 구매. 보증 서비스를 받으려면 보증 기간 내에 공인 대리점에서 장치를 구입했다는 증거로 구입 증명이 필요할 수 있습니다. 서비스가 필요한 경우 먼저 대리점이나 Tivoli Audio 에 연락하지 않고 제품을 반환하지 마십시오.

이 보증은 양도 할 수 없습니다. Tivoli Audio는 시간 손실, 불편, 제품 사용 손실 또는이 제품으로 인한 손해에 대해 지불하지 않습니다.

이 보증은 귀하에게 특정한 법적 권리를 제공하며 주마다 다른 권리를 가질 수도 있습니다. 일부 주에서는 묵시적 보증에 대한 제한이나 결과적 손해의 배제를 허용하지 않으므로 이러한 제한이 귀하에게 적용되지 않을 수도 있습니다.

자세한 보증 정보는 www.tivoliaudio.com을 방문하십시오.
유럽 보증 정보는 www.tivoliaudio.eu를 방문하십시오.

특 성 (SPECIFICATIONS)

모 델:	티볼리 오디오 모델 원 블루투스
형 식:	블루투스 무선기술을 탑재한 AM/FM 모노 테이블 라디오
드라이버:	76.2mm (3") 풀레인지 드라이버(스피커)
규 격:	가로 21.3cm x 높이 11.4cm x 깊이 13.3cm (8.375"W x 4.5"H x 5.25"D)
무 게:	1.88Kg (4.14lbs)

위 특성은 예고 없이 변경될 수 있습니다.

티볼리 오디오 회사는 예고 없이 제품을 변경 제조할 권리를 보유합니다.

Tivoli Audio, Tivoli Audio 로고와 Model One BT 은 Tivoli Audio Inc., 의 등록상표이며 Bluetooth 마크와 로고는 소유자인 Bluetooth SIG Inc. 의 등록상표이며 티볼리 오디오 회사가 이 로고의 사용은 정식 라이선스 계약에 의해 사용하는 것입니다. 다른 등록상표 또는 상호 역시 각각의 소유주가 존재합니다.

Tivoli Audio™

THANK YOU FOR YOUR PURCHASE
제품을 구입해 주셔서 감사합니다.

본 제품의 보증기간은 지역마다 다릅니다. 정확한 정보는 구매처에 문의하십시오. 제품의 전체 사용 설명서는 www.tivoliaudio.com에서 다운로드하시기 바랍니다.



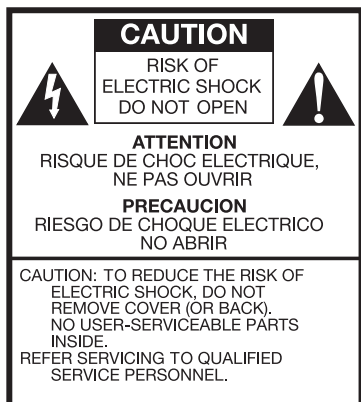
본사 : 서울특별시 중구 장충단로8가길 26
TEL : 02) 2334-2233
FAX : 02) 2263-3627
A/S : 02) 2334-8804

티볼리오디오 공식 수입판매원 (Tivoli Audio Authorized Distributor)

보증 정보

- AS기간 : 구입일로부터 1년간(극동음향 정식 수입품만 해당)
- AS기준(AS보증 기간 내) :
 - 무상 AS : 정상적인 상태에서 자연 발생하는 성능
 - 유상 AS : 소비자의 부주의(이동, 낙하, 충격, 과속 등)로 발생한 문제 등
- AS 불가 기준
 - 해외 직구, 병행 수입품의 경우
- 교환 및 환불 기준
 - 구매 후 10일 이내 기능적 문제 발생 시 교환, 무상수리 또는 환불
- 관련 URL

www.kdsound.co.kr



Dit symbool waarschuwt u voor de aanwezigheid van niet-geïsoleerde spanning in het toestel, waardoor de kans op ook voor mensen gevaarlijke elektrische schokken bestaat.



Dit symbool wijst u op belangrijke bedienings-, onderhouds- en service-instructies in de bij het toestel behorende literatuur.

Belangrijke Veiligheidsinstructies

1. Volg deze instructies op.
2. Bewaar deze instructies.
3. Neem alle waarschuwingen in acht.
4. Volg alle instructies op.
5. **WAARSCHUWING** - Stel dit apparaat niet bloot aan regen of vocht om het risico van brand of elektrische schokken te verminderen.
6. Alleen reinigen met een droge doek.
7. De ventilatiegaten niet blokkeren. Installeer het apparaat volgens de instructies van de fabrikant.
8. Niet installeren in de buurt van hittebronnen, zoals radiatoren, verwarmingsroosters, ovens of ander apparaten (waaronder versterkers) die warmte afgeven.
9. De veiligheidskenmerken van de gepolariseerde of gaaarde stekker niet beschadigen. Een gepolariseerde stekker heeft twee bladen, waarbij er een breder is dan de ander. Een gaaarde stekker heeft twee pinnen en een derde aardepin. Het brede blad of de derde pen zijn bedoeld voor uw veiligheid. Als de geleverde stekker niet in uw stopcontact past, moet u een elektricien raadplegen om het stopcontact te vervangen.
10. Bescherm de netkabel, zodat men er niet over kan lopen en hij niet bekneld raakt. Let vooral op de nabijheid van stekkers, stopcontacten en het punt waar de kabel op het apparaat is aangesloten.
11. Gebruik alleen aanhangsels/accessoires die worden aangegeven door de fabrikant.
12. Gebruik alleen met de wagen, standaard, driepoot, beugel of tafel die worden aangegeven door de fabrikant of die bij het apparaat wordt verkocht. Bij het gebruik van een wagen moet de wagen/apparaat-combinatie voorzichtig worden verplaatst om letsel door vallen te voorkomen.
13. Verwijder de stekker van dit apparaat uit het apparaat tijdens onweer of wanneer het gedurende een langere periode niet wordt gebruikt.
14. Gebruik dit product uitsluitend in combinatie met het type voeding dat op de achterkant is aangegeven. Gebruik bij producten met een externe voeding een exacte vervanging als deze verloren of beschadigd is. Zie de handleiding voor producten met batterijen.



15. Trek de stekker uit het stopcontact en laat het apparaat door vakkundig personeel onderhouden onder de volgende omstandigheden:
 - a. Als het netsnoer of de stekker beschadigd is.
 - b. Als vloeistof is gemorst of voorwerpen in het apparaat zijn gevallen.
 - c. Als het apparaat is blootgesteld aan water of regen.
 - d. Als het product niet normaal werkt volgens de gebruiksaanwijzing.
 - e. Als het apparaat is gevallen of op andere wijze beschadigd is.
 - f. Als het apparaat duidelijk anders presteert.
16. Als vervangende onderdelen nodig zijn, moet u controleren of de onderhoudsmonteur onderdelen heeft gebruikt die door de fabrikant zijn opgegeven of die dezelfde kenmerken hebben als de oorspronkelijke onderdelen. Ongeautoriseerde vervanging kan brand, schokken of andere gevaren opleveren.
17. Na uitvoeren van onderhoud moet u de onderhoudsmonteur vragen om een veiligheidscontrole uit te voeren ter bevestiging dat het product goed werkt.
18. Het apparaat mag niet worden blootgesteld aan druppels of spetters en er mogen geen objecten gevuld met water, zoals vazen, op het apparaat worden geplaatst.
19. De aanbevolen werktemperatuur ligt tussen 5°C en 40°C (41°F -104°F).
20. Door de ingang voor 12 VDC kan dit apparaat worden gebruikt in een boot of camper met een extra gezekerde voeding 12 VDC, 1 A.
21. Houd dit apparaat op een veilige afstand van open vuur zoals een aangestoken kaars.
22. **WAARSCHUWING** - de hoofdvoeding is niet afgesloten in de uit-stand maar de bedrading is stroomloos.
23. Canada voldoet aan RSS210, ICES-003.
24. De stekker van het netsnoer is bedoeld om het apparaat te ontkoppelen en moet gemakkelijk bereikbaar zijn.



WAARSCHUWING: DE GEMONTEERDE MODEL ONE BT-ANTENNA IS NIET BEDOELD OMTE WORDEN LOGGEMAAKT.

Dit product kan gerecycled worden. Producten met dit symbool mogen NIET worden weggeworpen met het normale huisvuil. Aan het eind van de levensduur van het product moet u het naar een aangewezen verzamelpunt voor elektrische apparatuur brengen. De gemeente kan u meer informatie verstrekken over deze verzamelpunten.

De Europese richtlijn voor afval van elektrische en elektronische apparaten (WEEE) is geïmplementeerd om de hoeveelheid afval drastisch te beperken die naar afvalhopen gaat, waardoor ook de invloed op het milieu en op de gezondheid beperkt wordt. Ga verantwoordelijk te werk bij het recyclen van gebruikte producten. Als dit product nog bruikbaar is, overweeg dan het weg te geven of te verkopen.



Gebruiksaanwijzing Model One BT

Gefeliciteerd met de aanschaf van de Model One BT tafelradio. Met de toevoeging van de draadloze Bluetooth-technologie kunt u uw muziek eenvoudig streamen naar de Model One BT.

We weten dat u haast niet kunt wachten om uw nieuwe radio te gebruiken, maar neem even de tijd om deze handleiding en de Veiligheidsinstructies te lezen. Als u vragen hebt, aarzel dan niet om contact op te nemen met uw verkoper of met Tivoli Audio.

Bewaar de doos en de originele verpakking voor het geval dat u de radio ooit moet opsturen, omdat verzendschade niet gedekt wordt door de fabrieksgarantie.

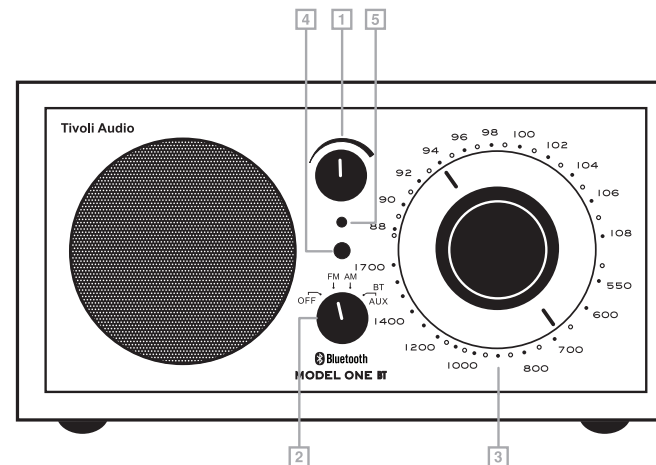
Namens ons allen: bedankt voor uw keuze voor Tivoli Audio en veel plezier met uw nieuwe Model One BT-radio.

Meegeleverd met uw Model One BT zijn:

- (1) Externe stroomvoorziening en bijbehorende stekkeradapters.
- (1) FM Telescopische antenne

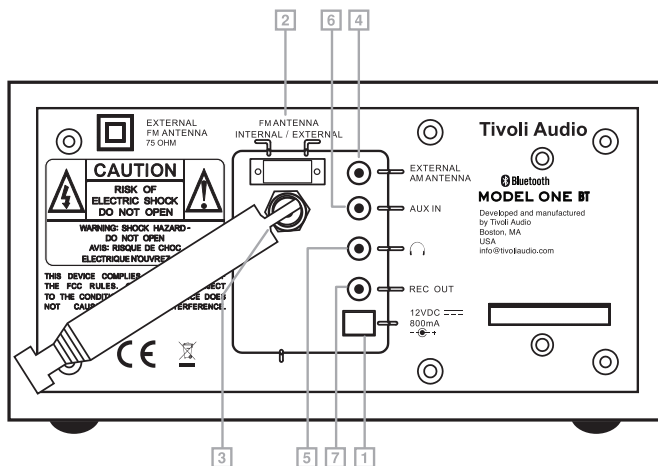
Neem contact op met uw dealer of met Tivoli Audio als een van deze items ontbreekt.

Gids Voor Functies (Voorkant)



1. **VOLUMEKNOP:** Draai de volumeknop naar rechts om het volume te verhogen of naar links om het volume te verlagen. Deze knop regelt ook het volume van de hoofdtelefoon.
2. **UIT/FM/AM/AUX KNOP:** Draai de knop één klik naar rechts om naar de FM-band te luisteren, twee klikken naar rechts om naar middengolf (AM) te luisteren, of drie klikken naar rechts voor de extra ingang. Om Bluetooth in te schakelen, gaat u naar de stand Auxiliary (hulp) en volgt u de stappen als beschreven in de paragraaf "Bluetooth gebruiken".
3. **AFSTEMKNOP:** Draai de analoge afstemwijzer naar rechts of links om het frequentiebereik voor FM (bovenste helft van de wijzerplaat) of AM (onderste helft) af te stemmen.
4. **AFSTEMINDICATOR:** Het helderst bij de beste afstemming. Sommige AM-stations die u kunt ontvangen, doen de afstemindicator niet oplichten zodat u deze op het gehoor moet afstemmen. Dit lampje kan al dan niet oplichten in de stand AUX, afhankelijk van de stand van de AM-wijzer.
5. **VOEDINGSINDICATOR:** Licht op als de voedingsknop in een andere stand dan Uit staat.

Gids Voor Functies (Achterkant)



- 12VDC/1,5A:** Deze ingang is voor het gebruik van een optionele gezeerde voeding 1,5A, 12 V DC voor gebruik op een boot of in een camper. De aansluiting moet 5,5 mm/2,1 mm mid-denpositief zijn.
- FM ANTENNESCHAKELAAR:** Schakelaar tussen interne en externe FM-antennes. Deze schakelaar heeft geen invloed op AM-ontvangst. In sommige gevallen kan de FM-ontvangst verbeteren door de antenneschakelaar op Extern te zetten.
- EXTERNE FM-AANSLUITING:** Afhankelijk van uw land kunt u bij het luisteren naar FM de meegeleverde draadantenne over deze F-connector schuiven, of de telescoopantenne aanpassen en voor de beste ontvangst positioneren. In omgevingen met een krachtig FM-sig-naal kan de ontvangst verbeteren door de antenne in te korten. Als de eenheid niet in gebruik is of als u naar AM luistert, moet u de antenne ter bescherming ingeschoven houden. Deze antenne heeft geen invloed op AM-ontvangst. Zie ook de paragraaf "Ontvangst".
- EXTERNE AM-AANSLUITING** In sommige gevallen kan de AM-ontvangst verbeteren door een externe AM-antenne (niet meegeleverd) aan te sluiten op deze aansluiting voor een 3,5mm stereo mini connector. Zie ook de paragraaf "Ontvangst".
- HOOFDTELEFOON UIT:** Sluit op deze instelbare stereo-uitgang een hoofdtelefoon aan (niet meegeleverd) voor ongestoord luisteren. De hoofdtelefoon schakelt de luidspreker uit. Het volume van de hoofdtelefoon is instelbaar met de volumeknop. Deze stereo-uitgang is bedoeld voor een 3,5mm stereo mini connector. Luister niet met een te hoog volume door een hoofdtelefoon om uw gehoor niet te beschadigen.
- AUX IN:** Om naar audio te luisteren die afkomstig is van een ander apparaat, zoals een cd-speler, MP3-speler of computer, sluit u de audio-uitgang van dat apparaat aan op deze stereo-ingang en zet u de schakelaar op de voorkant op Aux. Het aangesloten apparaat wordt hiermee niet ingeschakeld. Deze stereo-ingang is bedoeld voor een 3,5mm stereo mini connector. Het linker

en rechter stereosignaal worden tot mono samengevoegd. U moet eerst aangesloten Bluetooth-apparaten verwijderen om de bedrade AUX IN-aansluiting te gebruiken. De Aux In-aansluiting is niet beschikbaar als een Bluetooth-apparaat is aangesloten. U moet eerst alle Bluetooth-apparaten ontkoppelen voordat u de bekabelde functie Aux In kunt gebruiken.

OPMERKING: Mogelijk moet u het volumeniveau afwijkend instellen voor een extra apparaat van het niveau voor het luisteren naar de radio.

- REC OUT:** U kunt opnemen van de Model One BT-radio door de audio-ingang van een cassette-deck (of ander opname-apparaat) aan te sluiten op deze stereo-uitgang, waarvan het niveau gelijk blijft. U kunt de Model One BT-radio ook gebruiken als een hoogpresterende analoge tuner door hem aan te sluiten op de audio-ingang van een voorversterker of geïntegreerde versterker. Bij het gebruik van deze uitgang wordt de luidspreker niet gedempt. Deze uitgang is bedoeld voor een 3,5mm stereo mini connector.

Bluetooth Gebruiken

Controleer voor het koppelen of uw apparaat Bluetooth ondersteund en of het niet is gekoppeld aan een ander Bluetooth-apparaat. Apparaten kunnen op verschillende manieren koppelen. Hieronder volgt een algemene gids.

- Plaats de Model One BT in de stand Aux. Hierdoor wordt Bluetooth ingeschakeld. Draai het volume tot ongeveer $\frac{1}{4}$ om te beginnen. Verhoog ook het volume op het bronapparaat (het apparaat van waaraf u streamt).
- Schakel Bluetooth in op de ingeschakelde apparaten.
- Selecteer "Tivoli Bluetooth (Not Paired (niet gekoppeld))" als dit op het scherm van uw apparaat verschijnt om het zoeken te starten. Sommige apparaten kunnen om een PIN-code vragen. Typ in dat geval "0000". "Tivoli Bluetooth" verandert van "Not Paired" (Niet gekoppeld) in "Connected" (Verbonden).
- U hoort een beltoon van de Model One BT als bevestiging van de verbinding en u kunt uw muziekbestanden draadloos afspelen. Pas het volume op het apparaat aan. U hoeft het apparaat niet opnieuw te koppelen. **Afhankelijk van uw apparaat moet u mogelijk meerdere pogingen ondernemen voor paren en/of verbinden met de Model One BT, maar geef het apparaat voldoende tijd om te Paren of Verbinden voordat u het proces herhaalt.**

Reinigen

Gebruik nooit bijtende schoonmaakmiddelen voor de radio. Gebruik geen spuitwas. Haal de stekker uit het stopcontact voordat u de Model One BT-radio schoonmaakt. U kunt de voorkant schoonmaken met een vochtige zachte doek. Als u de houten kast schildert of bevekt, maakt dit de garantie ongeldig.

OPMERKING: Tivoli Audio gebruikt echt houtfineer op de kast. Omdat natuurlijk hout sterk verschilt, is het niet mogelijk om een exacte kleur- en structuurovereenkomst voor hout tussen de modellen te verkrijgen. U kunt ook merken dat het hout na verloop van tijd donkerder wordt door de inwerking van zonlicht. Ook dit is normaal voor echt hout.

Beperkte Garantie

Tivoli Audio vervaardigt zijn producten volgens zeer hoge normen en we zijn ervan overtuigd dat onze producten goed zullen presteren. Dienovereenkomstig garanderen wij onze producten tegen fabricagefouten in materiaal en vakmanschap voor de oorspronkelijke eigenaar, gedurende een periode van één jaar in de Verenigde Staten en twee jaar in de Europese Unie vanaf de oorspronkelijke aankoopdatum. Voor landen waar minimale garantievoorwaarden wettelijk zijn bepaald, is de garantietermijn de wettelijk vereiste periode. Op alle andere locaties is de garantietermijn één jaar.

Deze garantie strekt zich niet uit tot schade veroorzaakt door onjuiste installatie, defecte hulpapparatuur, modificaties, ongeautoriseerde reparatie, transportschade of verlies, misbruik, ongelukken, gebruik op onjuiste spanning / stroom, blikseminslag of andere overmacht, normale slijtage, commerciële gebruik of aankoop bij niet-geautoriseerde dealers. Voor garantieservice kan een aankoopbewijs nodig zijn als bewijs dat het apparaat binnen de garantieperiode bij een geautoriseerde dealer is gekocht. Mocht service nodig zijn, stuur het product dan NIET terug zonder eerst contact op te nemen met uw dealer of Tivoli Audio.

Deze garantie is niet overdraagbaar. Tivoli Audio vergoedt niet voor tijdverlies, ongemak, verlies van gebruik van het product of schade veroorzaakt door dit product.

Deze garantie geeft u specifieke wettelijke rechten en mogelijk hebt u ook andere rechten die van staat tot staat kunnen verschillen. Sommige staten staan geen beperkingen toe op impliciete garanties of de uitsluiting van gevolgschade, daarom zijn deze beperkingen mogelijk niet op u van toepassing.

Bezoek ons op www.tivoliaudio.com voor meer garantie-informatie

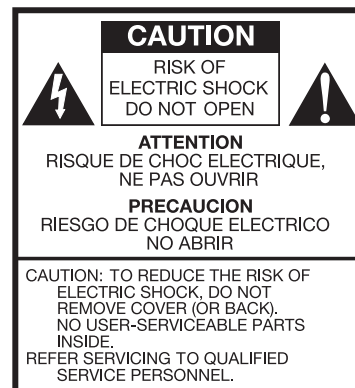
Ga voor Europese garantie-informatie naar www.tivoliaudio.eu

Technische Gegevens

Model:	Model One BT™
Type:	AM/FM mono tafelradio met Bluetooth draadloze technologie
Luidspreker:	een 76,2 mm luidspreker voor alle frequenties
Afmetingen:	21,3 cm B x 11,4 cm H x 13,3 cm D (8.375" B x 4.5" H x 5.25" D)
Gewicht:	1,88 kg

Specificaties kunnen zonder bericht vooraf wijzigen.

Tivoli Audio behoudt zich het recht voor om wijzigingen aan het product aan te brengen zonder bericht vooraf. Tivoli Audio, het Tivoli Audio-logo, en Model One BT zijn handelsmerken van Tivoli Audio, Inc. Het Bluetooth woordmerk en logo's zijn geregistreerde handelsmerken van Bluetooth SIG, Inc. en elk gebruik van deze merken door Tivoli Audio is onder licentie. Andere handelsmerken en handelsnamen zijn die van hun respectievelijke eigenaren.



Dette varselssymboler advarer mot høyspente komponenter i produktet som kan føre til elektrisk støt ved uforsiktig bruk.



Dette symboler indikerer problemer relatert til drift og service, og henviser til viktig informasjon i medfølgende bruksanvisning.

Viktige Sikkerhetsinstruksjoner

1. Les disse instruksjonene.
2. Oppbevar disse instruksjonene.
3. Vær oppmerksom på alle advarsler.
4. Følg alle instruksjoner.
5. ADVARSEL - For å redusere risikoen for brann eller elektrisk støt, ikke utsett dette apparatet for regn eller fukt.
6. Rens kun med tørr klut.
7. Ikke blokker noen av åpningene for ventilering. Installerer i samsvar med produsentens instruksjoner.
8. Ikke installer i nærheten av noen varmekilder som for eksempel radiatorer, varmegulv, ovner, eller andre apparater (inkludert forsterkere) som produserer varme.
9. Ikke overse sikkerhetshensikten til den polariserte eller jordførende stikkkontakten. En polarisert stikkontakt har to utstikkere, den ene videre enn den andre. En jordførende stikkontakt har to utstikkere, og en tredje spiss som er jordførende. Den brede utstikkeren eller den tredje spissen er tilgjort for din sikkerhet. Dersom den leverte stikkontakten ikke passer til ditt støpsel, konsulter med en elektriker om å skifte ut det foreldete støpselet.
10. Beskytt strømledningen fra å bli tråkket på eller klemt, spesielt ved stikkontakter og tilkoblingspunktene.
11. Benytt kun vedlegg/tilbehør spesifisert av produsenten.
12. Brukes kun med den tralle, støtten, tripod, braketten, eller bordet spesifisert av produsenten, eller som solgt sammen med apparatet. Når en vogn benyttes, utøv forsiktighet når man flytter kombinasjonen tralle/apparatet. Dette for å unngå skade ved eventuelt velt.
13. Koble fra dette apparatet under tordenvær eller når ubrukt over lengre perioder.
14. Benytt dette produktet kun med den type strømkilde som indikert på baksidepanelet. For de produktene som bruker en ekstern strømkilde, bruk en erstatning som er lik den opprinnelige dersom tapt eller skadet. Henviser til brukermanualen for de produktene som drives av batteri.



15. Koble produktet fra veggstøpselet, og få utført reparasjon av kvalifisert personell ved følgende tilstander:
- Når ledningen eller stikkkontakten for strømtilførsel er skadet.
 - Når væske er sølt eller gjenstander har falt inn i produktet.
 - Dersom produktet har vært utsatt for vann eller regn.
 - Dersom produktet ikke fungerer normalt ved å følge driftsinstruksjonene.
 - Dersom produktet på noen måte har blitt sluppet eller skadet.
 - Når produktet fremviser en særegen endring i ytelse.
16. Når det er behov for erstatningsdeler, forsikre deg om at din vedlikeholdstekniker brukte erstatningsdeler som spesifisert av produsenten, eller deler som har samme egenskaper som originaldelene. Uautoriserte erstatninger kan resultere i brann, elektrisk støt eller andre farer.
17. Ved ferdigstilling av ethvert vedlikehold, be vedlikeholdsteknikeren utføre sikkerhetskontroller for å bekrefte at produktet er i riktig driftstilstand.
18. Apparatet skal ikke utsettes for drypping, skvetting eller produkter fylt med væske, for eksempel vaser skal ikke plasseres på apparatet.
19. Den anbefalte driftstemperaturen spenner fra 5°C to 40°C (41°F -104°F).
20. 12 VDC-inngangen passer for drift av dette produktet i en båt eller bobil, ved bruk av et valgfritt 12 VDC adapter med 1 A sikring.
21. Hold dette produktet i sikker avstand fra åpen flamme, som for eksempel et tent lys.
22. ADVARSEL – Hovedtilførselen av strøm er ikke frakoblet i stillingen av, men kretsene er uten strøm.
23. Kanada overholder regelverket ifølge RSS210, ICES-003.
24. Stikkkontakten til strømkabelen fungerer som frakoblingsmekanismen for enheten og bør være enkelt tilgjengelig.

⚠ ADVARSEL: DEN PÅFØRTE MODEL ONE BT ANTENNEN ER IKKE MENT FOR KUNNETAS AV.

Dette produktet kan resirkuleres. Produktet som bærer dette symbolet må IKKE kastes sammen vanlig husholdningsavfall. På slutten av dets levetid, bring produktet til et oppsamlingspunkt beregnet for resirkulering av elektriske og elektroniske enheter. Finn ut mer om avhendings-og oppsamlingspunkter hos dine lokale myndigheter.

"The European Waste Electrical and Electronic Equip-ment" (WEEE) direktivet ble implementert for å dramatisk redusere mengde avfall lagt igjen på deponier, og herved redusere den miljømessige innvirkningen på jorda og den menneskelige helse. Vennligst opptre ansvarlig ved å resirkulere brukte produkter. Dersom dette produktet fremdeles kan brukes, vurder å gi det bort eller å selge det.



Instruksjoner for Model One BT

Gratulerer med ditt kjøp av bordradioen Model One BT. Med tillegget Bluetooth trådløs teknologi, så kan du streame musikken din trådløst til Model One BT.

Vi vet du er ivrig etter å begynne å bruke din nye radio, men vennligst ta deg litt tid til å lese denne eiermanualen og sikkerhetsinstruksjonene. Dersom du har noen spørsmål, vennligst ikke nøl med å kontakte din forhandler eller Tivoli Audio.

Vennligst bevar kartongen og den originale innpakningen i tilfelle du noen gang behøver å transportere din radio, da transportskade ikke dekkes av fabrikkgarantien.

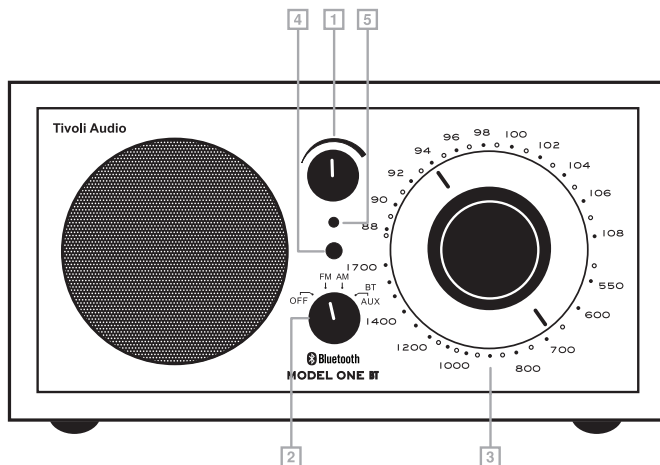
På vegne av oss alle sammen, takk for at du valgte Tivoli Audio og gled deg over din nye Model One BT radio.

Sammen med din Model One BT så vil du finne en av hver:

- (1) Ekstern strømforsyning og tilhørende plugger
- (1) FM teleskopantenne

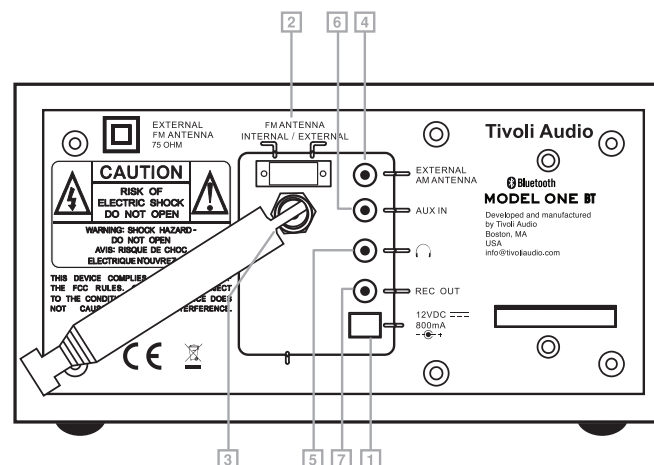
Vennligst kontakt din forhandler eller Tivoli Audio dersom noen av disse enhetene mangler.

Guide Til Funksjoner (Fronten)



- VOLUMKNAPP:** Roter volumknappen til høyre for å øke volumet, eller til venstre for å senke volumet. Denne knappen kontrollerer også volumet på utgangen til hodetelefonene
- AV/FM/AM/AUX-KNAPP:** Skru knappen ett klikk til høyre for å høre FM-båndet, to klikk til høyre for å høre AM-båndet, eller tre klikk til høyre for å velge AUX-inngangen. For å aktivere Bluetooth, bytt til AUX-posisjonen og følg stegene uthevet i “Bluetooth Operation” (drift) seksjonen.
- SØKEKNAPPEN:** Roter den analoge tunereren til høyre eller venstre for å justere FM (øvre halvdel av tunereren) eller AM (nedre halvdel av tunereren) frekvensen.
- TUNER-INDIKATOR:** Indikatoren viser lyseste alternativ når beste innstilling er oppnådd. Noen AM-stasjoner går det an å høre på uten at de har noen innvirkning på tuner-indikatoren, og disse må stilles inn etter øret for det klareste signal. Avhengig av innstillingen på AM-tunereren, lyset varierer om det holder seg tent når befinner seg i AUX-posisjonen.
- STRØMINDIKATOR:** Lyser når kildeknappen er i enhver posisjon bortsett fra av.

Guide Til Funksjoner (Bakre Panel)



- 12VDC/1,5A:** Denne inngangen er beregnet for bruk av et valgfritt 12VDC adapter med 1,5A sikring, for drift i en båt eller bil. Kontakten må være 5.5mm/2.1mm senter positiv.
- FM ANTENNEBRYTER:** Bytt mellom interne og eksterne FM antenner. Dette byttet har ingen innvirkning på mottakelse av AM. I noen tilfeller, mottakelse av FM kan forbedres ved å innstille denne antennebryteren til ekstern.
- EKSTERN FM-TILKOBLING:** Når du lytter på FM, avhengig av ditt land, skyv den inkluderte kabelantennen over denne F-tilkoblingen, eller juster denne teleskopantennen og plasser den hvor det er best mottakelse. På steder hvor det er sterkt FM-signal, kan en redusering av antennens lengde kan gi bedre mottakelse. Når enheten ikke er i bruk eller når du lytter på AM, bør den foldes sammen for å beskytte antennen. Denne antennen har ingen innvirkning på mottakelse av AM. For mere informasjon, se seksjonen merket “Resepsjon”.
- EKSTERN AM-TILKOBLING:** I noen tilfeller, mottakelse av AM kan forbedres ved å tilkoble en ekstern AM antenne (ikke inkludert) på denne kontakten. Denne godtar en 3,5mm mini jack tilkobling. For mere informasjon, se seksjonen merket Resepsjon.
- UTGANG FOR HODETELEFON:** For privat lytting, koble til et hodesett (ikke inkludert) til denne variable stereoutgangen. Hodesettet vil dempe hovedhøytaleren. Volumet på hodesettet justeres med volumknotten. Stereoutgangen godtar en 3,5mm “mini jack” tilkobling. Unngå bruk av hodetelefonene ved høyt volumnivå for å unngå eventuell hørselsskade.
- AUX-INNGANG:** For å høre lyd fra en annen enhet, som til eksempel en CD-spiller, MP3-spiller eller datamaskin, koble til nevnte enhets lyduttgang til denne stereoingangen, og vri kildeknappen på forsiden til AUX. Byttet til AUX-posisjonen forårsaker ikke at den tilkoblede enheten slås på. Denne stereoingangen godtar en 3,5mm mini jack tilkobling. Venstre og høyre stereosignal er summert til mono. Aux-inngangen er utilgjengelig når en Bluetooth-enhet er tilkoblet. Du må først koble fra enhver Bluetooth-enhet for å kunne bruke den kablete funksjonen for Aux-inngangen.

NOTAT: Du må muligens justere volumnivået forskjellig for en AUX-enhet, enn hva som benyttes for lytting til radio.

- 7. UTGANG FOR OPPTAK:** Du kan ta opp fra radioen til Model One BT ved å tilkoble en kassettspillers lydutgang (eller andre enheter for opptak) til denne stereoutgangen, som har et fast nivå. Du kan også bruke radioen til Model One BT som en analog tuner med høy ytelse. Dette ved å koble den til lydinngangen på en forforsterker eller integrert forsterker. Hovedhøytaleren dempes ikke når du bruker denne utgangen. Denne kontakten godtar en 3,5mm mini jack tilkobling.

Bluetooth Drift

Før synkronisering, bekreft at din enhet støtter Bluetooth, og at din enhet ikke er tilkoblet noe annet Bluetooth produkt. Enheter kan synkronisere forskjellig. Nedenfor finner du en generell guide.

1. Skru Model One BT til AUX-posisjonen. Dette vil skru på Bluetooth. Skru volumet til omtrent ¼ ved oppstart. I tillegg, skru opp volumet på kildeenheten (enheten som du streamer fra).
2. Skru på Bluetooth trådløs teknologi på din aktiverte enhet.
3. Velg "Tivoli Bluetooth (Not Paired)" når det fremkommer på skjermen på din enhet. Dette for å starte søk. Noen enheter vil be deg føre inn et PIN-nummer. Dersom så er tilfelle, før inn "0000". "Tivoli Bluetooth" kommer til å endre status fra "Not Paired" (ikke synkronisert) til "Connected" (synkronisert).
4. Du kommer til å høre en ringetone fra Model One BT som bekrefter tilkobling, og du kan nå begynne trådløs avspilling av dine musikkfiler. Juster volumet på din enhet. Du skal ikke behøve å synkronisere din enhet på ny. **Du må kanskje foreta flere forsøk på synkronisering med, og/eller oppkobling til, Model One BT. Dette avhenger av din enhet. Men vennligst gi enheten din adekvat tid til å synkronisere eller koble til før du gjentar prosessen.**

Rensing

Aldri bruk noen sterkt konsentrerte rense- eller løsemidler på din radio. Unngå voks i sprayform. Koble fra radioen Model One BT før rensing. Frontpanelet kan renses med en lett fuktet, myk klut. Maling eller fargelegging av kabinettet vil ugyldiggjøre garantien.

NOTAT: Kabinettene til Tivoli Audio består av ekte trefiner, det er umulig å få nøyaktig lik farge på treet for alle modellene, da naturlig tre varierer stort i tekstur, du kan også komme til å merke at treet mørkner over tid grunnet eksponering for sollys. Dette er normalt for ekte tre.

Begrenset Garanti

Tivoli Audio produserer sine produkter til meget høye standarder, og vi er sikre på at produktene våre vil fungere bra. Følgelig garanterer vi produktene våre mot produksjonsfeil i materiale og utførelse til den opprinnelige eieren, i en periode på ett år i USA og to år i EU fra den opprinnelige kjøpsdatoen. For land der minimumsgarantibetingelser er bestemt ved lov, er garantiperioden den lovpålagte perioden. På alle andre steder er garantiperioden ett år.

Denne garantien omfatter ikke skader forårsaket av feil installasjon, feil tilleggsutstyr, modifikasjoner, uautorisert reparasjon, forsendelseskade eller tap, misbruk, ulykker, bruk på feil spenning / strøm, lyn eller andre handlinger fra Gud, normal slitasje, kommersiell bruk eller kjøp fra uautoriserte forhandlere. Kjøpsbevis som bevis på at enheten ble kjøpt fra en autorisert forhandler innen garantiperioden kan være nødvendig for garantiservice. Hvis service er nødvendig, må du IKKE returnere produktet uten å først kontakte forhandleren eller Tivoli Audio.

Denne garantien kan ikke overføres. Tivoli Audio betaler ikke for tap av tid, ulempe, tap av bruk av produktet eller skader forårsaket av dette produktet.

Denne garantien gir deg spesifikke juridiske rettigheter, og du kan også ha andre rettigheter som varierer fra stat til stat. Enkelte stater tillater ikke begrensninger på underforståtte garantier eller utelukkelse av følgeskader, og derfor gjelder disse restriksjonene kanskje ikke for deg.

For mer informasjon om garanti, besøk oss på www.tivolioaudio.com

For europeisk garantiinformasjon, besøk www.tivolioaudio.eu

Spesifikasjoner

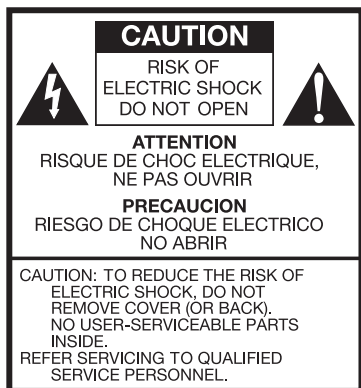
Modell:	Model One BT™
Type:	AM/FM mono bordradio med Bluetooth trådløs teknologi
Proseszor:	En 76.2 mm (3") full tone prosessor
Dimensjoner:	21.3 cm B x 11.4 cm H x 13.3 cm D (8.375" B x 4.5" H x 5.25" D)
Vekt:	1.88 kg (4.14 lbs)

Spesifikasjoner kan endres på uten forvarsel.

Tivoli Audio reserverer retten til å endre på produkter uten forvarsel.

Tivoli Audio, Tivoli Audio-logoen og Model One BT er varemerker tilhørende Tivoli Audio, Inc. Bluetooth ordmerke og logoer er registrerte varemerker eiet av Bluetooth SIG, Inc. og enhver bruk av sådanne merker av Tivoli Audio er gitt med lisens. Andre varemerker og handelsnavn er tilhørende andre respektive eiere.





Tämä symbolin tarkoituksena on varoittaa käyttäjää sähköiskun vaarasta.



Tämä symbolin tarkoituksena on huomauttaa tärkeästä laitteen käyttöön liittyvästä ohjeesta tai varoituksesta.

Tärkeitä Turvallisuusohjeita

1. Lue nämä ohjeet.
2. Säilytä nämä ohjeet.
3. Ota vaarin kaikista varoituksista.
4. Noudata kaikkia ohjeita.
5. VAROITUS – Sähköiskuvaaran vähentämiseksi älä altista tätä laitetta kosteudelle tai sateelle.
6. Puhdista vain kuivalla liinalla.
7. Älä tuki tuuletusaukkoja. Asenna valmistajan ohjeiden mukaan.
8. Älä asenna lähelle lämpölähteitä kuten pattereita, lämpörekistereitä, liesiä tai muita laitteita (mukaan lukien vahvistimet), jotka tuottavat lämpöä.
9. Älä kumoa polarisoidun tai maadoitetun pistokkeen turvatarkoitusta. Polarisoidussa pistokkeessa on kaksi piikkiä, joista toinen on leveämpi. Maadoitettussa pistokkeessa on kaksi piikkiä ja kolmas maadoituspiikki. Leveä piikki, tai kolmas piikki, on turvallisuutesi vuoksi. Jos toimitettu pistoke ei sovi pistorasiaan, pyydä sähköasentajaa asentamaan uusi pistorasia.
10. Suojaa virtajohtoa sen päällä kävelemiseltä tai sen puristumiselta, varsinkin pistokkeiden ja pistorasioiden kohdalla ja niiden laitteesta ulostulon kohdassa.
11. Käytä vain valmistajan määrittämiä lisälaitteita/lisävarusteita.
12. Käytä vain valmistajan määrittämän tai laitteen mukana myydyin vaunun, jalustan, kolmijalkaisen jalustan, kannattimen tai pöydän kanssa. Jos käytät vaunua, varo ettei vaunun ja laitteen yhdistelmä kaadu sitä siirrettäessä.
13. Kytke tämä laite irti virrasta ukonilman aikana tai kun sitä ei käytetä pitkään aikaan.
14. Käytä tätä tuotetta vain takapaneeliin merkitystä virtalähteestä. Jos ulkoista virtalähdettä käytettäessä se vaurioituu tai häviää, on tilalle hankittava täsmälleen samanlainen. Käytettäessä tuotetta paristovirralla katso ohjeita käyttöoppaasta.



15. Kytke tuote irti seinäpistorasiasta ja anna se pätevän huoltohenkilökunnan huollettavaksi seuraavissa tilanteissa:
 - a. Kun virtajohto tai pistoke on vaurioitunut.
 - b. Jos tuotteeseen on läikkyneet nesteitä tai pudonnut esineitä.
 - c. Jos tuote on altistettu vedelle tai sateelle.
 - d. Jos tuote ei toimi kunnolla käyttöohjeita noudattamalla.
 - e. Jos tuote on pudonnut tai vaurioitunut.
 - f. Jos tuotteen suorituksessa on merkittävä muutos.
16. Kun tarvitaan vaihto-osia, varmista, että huoltoteknikko on käyttänyt valmistajan määrittämiä vaihto-osia tai alkuperäisiä osia vastaavia tuotteita. Valtuuttamattomien vaihto-osien käyttö voi aiheuttaa tulipalon, sähköiskun tai muita vaaroja.
17. Jokaisen huoltokerran jälkeen pyydä huoltoteknikkoa suorittamaan turvallisuustarkistukset, jotta varmistetaan tuotteen olevan hyvässä käyttökunnossa.
18. Laitetta ei saa altistaa nesteiden tippumiselle tai roiskumiselle eikä sen päälle saa asettaa nesteitä sisältäviä esineitä, kuten kukkamaljakkoita.
19. Suositeltava käyttölämpötila on 5°C – 40°C (41°F – 104°F).
20. 12 V tasavirtatulo sopii tämän tuotteen käyttöön veneessä tai asuntoautossa, käyttäen valinnaista 12 V tasavirran, 1 A sulakkeellista sovitinta.
21. Tämä tuote tulee pitää turvallisella etäisyydellä liekistä, kuten esim. palava kynttilä.
22. VAROITUS – Verkkovirta ei ole katkaistu off-asennossa, mutta piirit ovat virrattomia.
23. Kanada noudattaa vaatimuksia RSS210, ICES-003.
24. Virtajohtoon pistoke toimii virrankatkaisuvälineenä ja sen tulisi olla helposti käytettävissä.



VAROITUS: KIINNITETTYÄ MODEL ONE BT -ANTENNIA EI OLE TARKOITETTU IRROTETTAVAKSI.

Tämä tuote voidaan kierrättää. Tällä merkillä merkityjä tuotteita EI saa heittää pois tavallisen kotitalousjätteen mukana. Tuotteen käyttöiän lopussa se on vietävä sähköisten ja elektronisten laitteiden kierrätykseen tarkoitettuun keräyspisteeseen. Pyydä lisätietoja palautuksesta ja keräyspisteistä paikallisilta viranomaisilta.

Euroopan sähkö- ja elektroniikkalaiteromusta annettu direktiivi (WEEE) on toteutettu vähentämään kaatopaikoille menevän romun määrää ja siten vähentämään ympäristöä ja ihmisten terveyttä koskevaa vahinkoa. Toimi vastuuntuntoisesti kierrättämällä käytetyt tuotteet. Jos tuote on yhä käyttökelpoinen, harkitse sen lahjoittamista tai myymistä.



Model One BT: N Ohjeet

Onnittelut Model One BT-pöytäradion oston johdosta. Bluetooth-langattoman teknologian lisäyksen ansiosta voit virtauttaa musiikkia langattomasti Model One BT:hen.

Tiedämme, että olet innokas käyttämään uutta radiotasi, mutta pyydämme sinua ensin lukemaan tämän käyttöoppaan ja turvallisuusohjeet. Jos sinulla on kysymyksiä, älä epäröi ottaa yhteyttä jälleenmyyjäsi tai Tivoli Audioon.

Säilytä laatikko ja alkuperäispakkaus siltä varalta, että radio on joskus lähetettävä muualle, koska tehtaan takuu ei kata kuljetusvaurioita.

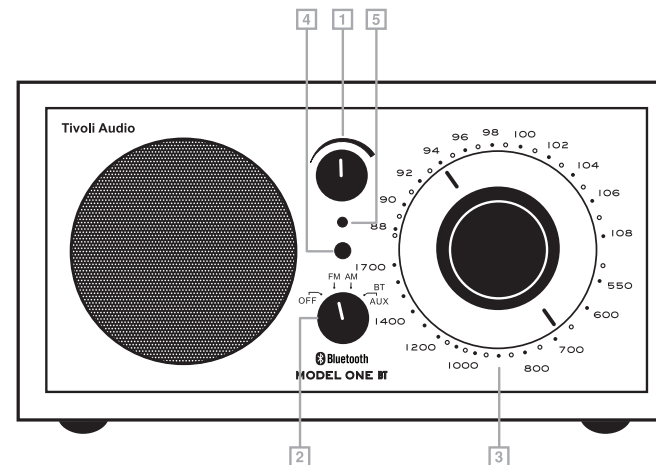
Kiitämme meidän kaikkien puolesta, että olet valinnut Tivoli Audion ja toivomme sinun nauttivan uudesta Model One BT-radiostasi.

Model One BT:n kanssa toimitetaan yksi seuraavista:

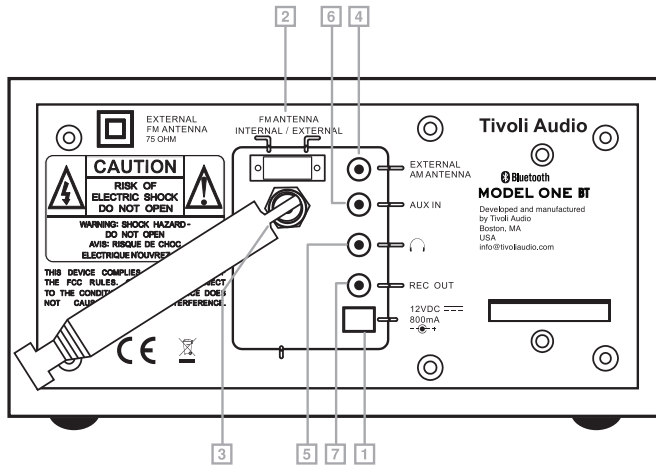
- (1) Ulkoinen virtalähde ja siihen liittyvät sovitimet
- (1) FM-teleskooppiantenni

Ota yhteyttä jälleenmyyjään tai Tivoli Audioon, jos yksi näistä osista puuttuu.

Opas Toimintoihin (Etupuoli)



1. **ÄÄNVOIMAKKUUDEN SÄÄDIN:** Lisää äänenvoimakkuutta kääntämällä nuppia oikealle tai pienennä äänenvoimakkuutta kääntämällä nuppia vasemmalle. Tämä nappi säätää myös kuulokkeiden äänenvoimakkuuden.
2. **OFF/FM/AM/AUX-SÄÄDIN:** Naksauta nuppia kerran oikealle kuullaksesi FM-taajuuksilla, naksauta kaksi kertaa oikealle kuullaksesi AM-taajuuksilla tai kolme kertaa oikealle, jos valitset lisälaitetulon. Aktivoi Bluetooth vaihtamalla Aux-asentoon ja noudattamalla ohjeita kohdasta "Bluetooth-käyttö".
3. **VIRITYSSÄÄDIN:** Käännä analogisen virityksen valitsinta oikealle tai vasemmalle säätääksesi FM- (valitsimen yläosa) tai AM-taajuudet (valitsimen alaosa) .
4. **VIRITYKSEN ILMAISIN:** Kirkkain, kun paras viritys on saavutettu. Joissakin kuunneltavissa AM-asemissa ei näy valoa virityksen ilmaisimessa, nämä asemat on viritettävä korvakuulolla parhaan signaalin saamiseksi. Tämä valo ei saata jäädä palamaan AUX-asennassa, riippuen AM-valitsimen asennosta.
5. **VIRRAN ILMAISIN:** Valo palaa, kun lähdenuppi on missä tahansa asennossa paitsi Pois päältä (Off).



Opas Toimintoihin (Takapaneeli)

- 12VDC/1,5A:** Tätä tuloliitäntää käytetään valinnaisen 1,5A:n sulakkeellisen 12 V tasavirtasovittimen kanssa Bvneessä tai matkailuautossa. Liittimen on oltava 5,5 mm/2,1 mm keskipositiivinen.
- FM-ANTENNIN KYTKIN:** Sisäisen ja ulkoisen FM-antennin välinen kytkin. Tällä kytkimellä ei ole vaikutusta AM-vastaanottoon. Joissakin tapauksissa FM-vastaanotto voi parantua asettamalla tämä kytkin ulkoisen asentoon.
- ULKOINEN FM-YHTEYS:** Kun kuuntelet FM-asemaa, riippuen maasta, liu'uta toimitettu lanka-antenni tähän F-liittimeen tai säädä teleskooppiantennin asentoa ja suuntaa parhaan vastaanoton saamiseksi. Jos alueella on vahva FM-signaali, antennin lyhentäminen voi tuottaa paremman vastaanoton. Kun yksikkö ei ole käytössä tai kuunneltaessa AM-asemaa, antenni tulee vetää sisään sen suojaamiseksi. Tällä antennilla ei ole vaikutusta AM-vastaanottoon. Katso lisätietoja kohdasta "Vastaanotto".
- ULKOINEN AM-LIITÄNTÄ:** Joissakin tapauksissa AM-vastaanottoa voidaan parantaa liittämällä ulkoinen AM-antenni (hankittava erikseen) tähän liitäntään, johon sopii 3,5mm:n stereon urosminiliitin. Katso lisätietoja kohdasta Vastaanotto.
- KUULOKKEEN ULOSTULO:** Liitä kuulokkeet (hankittava erikseen) tähän stereoliitäntään kun haluat kuunnella ilman kaiuttimia. Kuulokkeet mykistävät pääkaiuttimen. Kuulokkeiden äänenvoimakkuutta säädetään nupista. Tähän stereotuloon sopii 3,5mm:n stereon miniurossiliitin. Vältä käyttämästä kuulokkeita kovalla äänenvoimakkuudella, koska se saattaa vahingoittaa kuuloasi.
- AUX IN:** Kuunnellaksesi muita laitteita kuten CD-soitin, MP3-soitin tai tietokone, liitä kyseisen laitteen audio-lähtö tähän stereon tuloon ja kytke etupaneelin lähdenuppi asentoon Aux. Aux-asentoon vaihtaminen ei käynnistä liitettyä laitetta. Tähän stereotuloon sopii 3,5mm:n stereon

miniurossiliitin. Vasen ja oikea stereosignaali on yhdistetty monoksi. Aux In-liitäntä ei ole käytettävissä, kun Bluetooth-laite on yhdistetty. Irrota ensin Bluetooth-laite käyttääksesi langallista Aux In-toimintoa.

HUOMAUTUS: Aux-liitännässä olevan laitteen äänenvoimakkuutta on ehkä säädettävä eri tasolle kuin radiota kuunneltaessa.

- REC OUT:** Voit tallentaa Model One BT -radiosta liittämällä kasettisoittimen audiotulon (tai muun tallentimen) tähän kiinteän tason stereoulostuloon. Voit myös käyttää Model One BT-radiota huipputehoisena analogisena viritimenä liittämällä sen esivahvistimen tai sisäisen vahvistimen audiotuloon. Pääkaiutin ei mykisty tätä ulostuloa käytettäessä. Tähän liitäntään sopii 3,5mm:n stereon miniurossiliitin.

Bluetooth-Toiminnon Käyttö

Varmista ennen laiteparin muodostamista, että laite tukee Bluetooth -toimintoa ja laitetta ei ole yhdistetty muuhun Bluetooth-tuotteeseen. Laitteet voivat muodostaa pariyhteyden eri tavalla. Seuraavassa on yleiset ohjeet.

- Kytke Model One BT Aux-asentoon. Tämä käynnistää Bluetooth-toiminnon. Käännä äänenvoimakkuus aluksi noin 1/4. Lisää myös lähdelaitteen äänenvoimakkuutta (laite, josta ääni virtautetaan).
- Käynnistä Bluetooth-langaton teknologia sitä käytävässä laitteessa.
- Valitse "Tivoli Bluetooth (Not Paired)" (ei pariyhteyttä), kun se ilmestyy laitteen näyttöön haun aloittamiseksi. Jotkin laitteet pyytävät antamaan PIN-tunnuksen. Jos näin tapahtuu, anna "0000". "Tivoli Bluetooth"-tila muuttuu tilasta "Not Paired" (ei pariyhteyttä) tilaan "Connected" (yhdistetty).
- Kuulet soittoäänen Model One BT:stä, jolla vahvistetaan yhteys ja voit alkaa toistaa musiikkitiedostoja langattomasti. Säädä laitteesi äänenvoimakkuutta. Laitteen pariyhteyttä ei tarvitse muodostaa uudelleen. **Laitteestasi riippuen voit joutua yrittämään pariyhteyden luomista ja/ tai yhdistämistä useaan kertaan Model One BT-laitteeseen, mutta anna laitteellesi riittävästi aikaa pariyhteyden tai yhteyden muodostamiseen ennen prosessin toistamista.**

Puhdistaminen

Älä koskaan käytä kovia puhdistusaineita tai liuotteita radion puhdistamiseen. Vältä vahan suihkutamista. Kytke Model One BT -radio irti ennen puhdistamista. Etupaneeli voidaan puhdistaa hieman kostealla pehmeällä liinalla. Puisen kaapin maalaaminen tai värjääminen voi mitätöidä takuun.

HUOMAUTUS: Tivoli Audio -kaappeihin käytetään aitoa puuvaneeria. Koska luonnon puun värit vaihtelevat suuresti, eri mallien kesken ei ole mahdollista saada täsmällisesti samaa puun väriä ja pintakuviointia. Voit ehkä myös huomata puun tummenevan aikaa myöten auringon valolle altistumisesta. Tämä on myös normaalia aidolle puulle.

Rajoitettu Takuu

Tivoli Audio valmistaa tuotteitaan erittäin korkeille standardeille, ja olemme varmoja, että tuotteemme toimivat hyvin. Täten takaamme tuotteillemme alkuperäisille omistajille materiaalivirheiden ja valmistusvirheiden varalta yhden vuoden ajan Yhdysvalloissa ja kahden vuoden ajan Euroopan unionissa alkuperäisestä ostopäivästä lukien. Maissa, joissa vähimmäistakauuehdot määritetään lailla, takuu-aika on lakisääteinen vaadittu aika. Kaikissa muissa paikoissa takuu-aika on yksi vuosi.

Tämä takuu ei kata vahinkoja, jotka aiheutuvat virheellisestä asennuksesta, viallisista lisälaitteista, muunnoksista, luvattomasta korjauksesta, kuljetusvaurioista tai -häviöistä, väärinkäytöksistä, onnettomuuksista, väärän jännitteen / virran käytöstä, salamasta tai muusta Jumalan toiminnasta, normaalia kulumisesta, kaupallisesta käytöstä käyttäjä tai ostaa valtuuttamattomilta jälleenmyyjiltä. Takuuhuolossa voidaan tarvita todiste ostosta todisteena siitä, että laite on ostettu valtuutetulta jälleenmyyjältä takuu-aikana. Jos huolto on tarpeen, ÄLÄ palauta tuotetta ottamatta ensin yhteyttä jälleenmyyjään tai Tivoli Audioon.

Tätä takuuta ei voi siirtää. Tivoli Audio ei maksa ajan menetyksestä, haitasta, tuotteen käytön menetyksestä tai tämän tuotteen aiheuttamista vahingoista.

Tämä takuu antaa sinulle tiettyjä laillisia oikeuksia, ja sinulla voi olla myös muita oikeuksia, jotka vaihtelevat osavaltioittain. Jotkin osavaltiot eivät salli oletettujen takuiden rajoituksia tai välillisten vahinkojen poissulkemista, joten nämä rajoitukset eivät välttämättä koske sinua.

Lisää takuutietoja on osoitteessa www.tivolioaudio.com

Eurooppalaiset takuutiedot ovat osoitteessa www.tivolioaudio.eu

Tekniset Tiedot

Malli: Model One BT™

Tyyppi: AM/FM monopöytäradio, jossa Bluetooth -langaton teknologia

Ohjain: Yksi 76,2 mm (3") koko alueen ohjain

Mitat: 21,3 cm L x 11,4 cm K x 13,3 cm S
(8,375" L x 4,5" K x 5,25" S)

Paino: 1,88 kg (4,14 lbs)

Tekniset tiedot voivat muuttua ilman erillistä ilmoitusta.

Tivoli Audio pidättää itsellään oikeuden tehdä muutoksia tuotteeseen ilman erillistä ilmoitusta.

Tivoli Audio, Tivoli Audio logo ja Model One BT ovat Tivoli Audio, Inc:n tavaramerkkejä. Bluetooth-sanamerkki ja logot ovat Bluetooth SIG, Inc:n omistamia rekisteröityjä tavaramerkkejä ja Tivoli Audion sellaisten merkkien käyttö on lisenssin alaisia. Muut tavaramerkit ja tavaranimet ovat vastaavien omistajiensa omia.



该符号表示箱体内有未绝缘的“危险高压”，可能导致对人体的伤害，请用户小心。



该符号提醒用户注意重要的操作或维修服务步骤，必须仔细阅读说明书。

重要安全指南

1. 请阅读下列指南。
2. 请保存下列指南。
3. 请注意所有警告。
4. 请遵照所有安全指示操作。
5. 注意—为了避免着火及电击的风险，请勿将此收音机暴露于雨中或湿气中。
6. 只可用干布清洁。
7. 不要堵塞通风孔。按照本说明书的指示摆放。
8. 请勿靠近热源，如散热器、热记录器、炉子或其它产生热量的设备(包括放大器)。
9. 不要违反极性或接地插头的安全用法。一个极性的插头有两个金属片，其中一个稍宽。接地型的插头有两个金属片，还有一个接地的尖头。宽的一个金属片或是第三个用于接地的尖头是起安全保护作用的。如果这种插头不符合你的插座，向技术人员咨询，找到代替的插座。
10. 保护好电源线，不要让人踩到或压到，尤其是插头、插座和器材连接口。
11. 只可利用制造商特制的附件/配件。
12. 只可使用制造商指定或配售的小推车、脚架、三脚架或支架。使用小推车或推动多样物品时，要注意避免箱体翻倒而造成损害。
13. 在雷电天气或长时间不使用时，要拔掉电源。
14. 只可使用产品背面所示的电源类型。需要外接电源的产品，如果电源适配器丢失或损坏，请使用合适的替代品。使用内置电池的产品，请按照用户手册指导使用。
15. 本产品请使用壁挂电源插座。如出现以下情况，请向专业维修人员咨询：：
 - a. 电源线或插头损坏
 - b. 液体弄湿器材，或物体跌撞在器材上
 - c. 器材被雨淋湿或被水浇湿
 - d. 器材操作与使用手册说明不符
 - e. 器材摔坏或损坏
 - f. 使用时，产品出现异常情况



16. 如需替换零件，请确保技术人员使用的是生产商所要求的零件，并且替换后器材使用正常
17. 当维修完成时，要求维修技师从事安全检查，以确认本产品仍处于适当的操作状况。
18. 不要把本产品放置于有水喷洒或滴落处。装有液体的物体如花瓶或酒杯不应放在产品顶部。
19. 该输入端适用于可选的1安 12伏直流电源适配器，可在船上或露营时使用
20. 产品和会产生火焰的物体，如蜡烛，要保持一定的安全距离。
21. 注意：电源线可能没有连接，但回路中有电。
22. 把本产品连接到易接触到的交流电源插座上。
23. 器具耦合器作为断开装置而该装置应当保持能方便地操作装置。
24. 仅适用于海拔 2000m 以下地区安全使用。



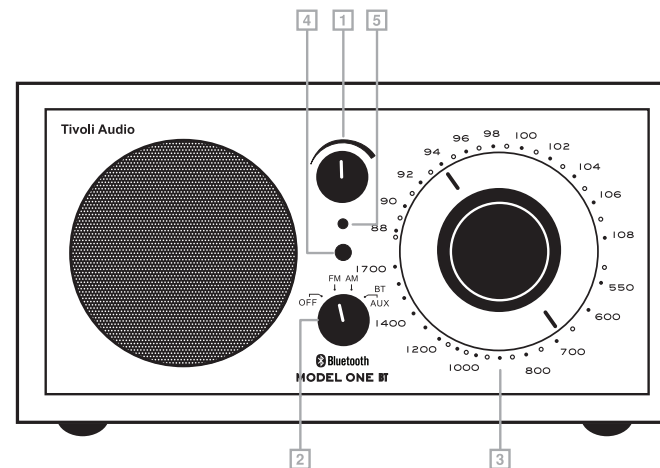
型号1产品说明

恭喜您购买了型号一桌面收音机。
通过蓝牙®无线技术，您可以将音乐无线传输到型号一当中。

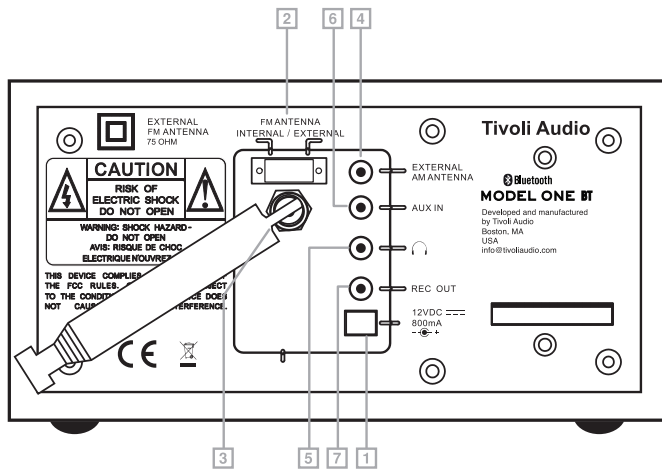
对于您迫切希望使用新收音机的心情，我们非常理解，但在此之前，请拿出时间阅读用户手册与安全说明。若有任何疑问，请随时联系您的经销商或Tivoli Audio。

请保留纸板箱和出厂包装，以防您需要运输您的收音机，因为运输途中的损害不属于出厂保修的范围。

再次感谢您选择Tivoli Audio，希望您的新型号一收音机能给您带来快乐。



1. **VOLUME KNOB:** 向右旋转音量旋钮，调高音量，或向左调低音量。该旋钮同时可以控制耳机的输出音量。
2. **OFF/FM/AM/AUX/BT KNOB:** 旋钮向右一下收听FM波段，向右两下收听AM波段，向右三下选择辅助输入。将旋钮调至辅助位置，并按“蓝牙操作”部分的步骤激活蓝牙。
3. **TUNING KNOB:** 左右旋转旋钮，选择FM（调谐盘的上半部分刻度）和AM（调谐盘的下半部分刻度）的频率范围。
4. **TUNING INDICATOR:** 当调谐达到最佳时，会发出明亮的黄光。一些AM波段调谐指示器不会亮，应放在耳边慢慢调以获得最清晰的信号。当处于AUX状态时LED灯有时也会亮。当选择AUX辅助输入时，根据AM的刻度，指示灯可能亮也可能不亮。
5. **POWER INDICATOR:** 当收音机正常工作时电源指示灯发亮。



- 12VDC/1.5A:** 该输入端适用于可选的1.5安12伏直流电源适配器，可在船上或露营时使用。接头必须为5.5毫米/2.1毫米，中心为正极。
- FM ANTENNA SWITCH:** 内置与外置FM天线切换开关。该开关不影响AM信号接收。在个别情况下，切换到外置天线可以优化FM信号接收情况。
- EXTERNAL FM CONNECTION:** 在收听FM波段时，根据您所在的国家，滑动F型连接头上的附送导线天线，或调整伸缩天线的位置，以达到最佳收听效果。在FM信号较强的位置，缩短天线长度可以实现更好的接收效果。在不使用本产品或收听AM波段时，请缩回天线一面受损。天线对AM信号接收没有任何影响。更多信息请参阅信号接收部分。
- EXTERNAL AM CONNECTION:** 在个别情况下，在该插口上连接外接AM天线（本产品不包含），可以改善AM信号接收质量。该接口适合3.5毫米公头立体声迷你连接器。更多信息请参阅信号接收部分。
- HEADPHONE OUT:** 在该可变立体声输出接口连接耳机（本产品不包括），进行更私密的收听。插入耳机后，主扬声器将静音。耳机音量可通过音量旋钮进行调节。立体声输出接口支持3.5毫米立体声公头迷你连接器。佩戴耳机时，请避免音量过高，以免造成听力损害。
- AUX IN:** 要播放其他设备的音频，如CD播放机、MP3播放器、或计算机等，将上述设备的音频输出与该立体输入连接，并将前面板上的来源旋钮调整到Aux。调整到Aux位置，不会自动地打开已连接的设备。立体输入接口适合3.5毫米立体声公头迷你连接器。左右立体声信号将被合并生成单声道。在连接蓝牙设备时，AUX IN插口不可用。要使用有线AUX IN功能，首先必须断开蓝牙设备。
注：您可能需要根据辅助设备调整音量。
- REC OUT:** 将磁带卡座输入接口连接到该固定水平立体声输出接口，可以从型号一收音机进行录制。您也可以将型号一收音机连接到前置放大器或集成放大器的音频输入端口，作为高性能模拟调谐器使用。使用该输入时，主扬声器不会静音。该插口适合3.5毫米立体声公头迷你连接器。

配对之前，请检查您的设备是否支持蓝牙，且您的设备并未连接到其他任何蓝牙产品。不同设备的配对方式可能不同。以下为一般操作说明：

- 打开型号一收音机，调至辅助位置。此时将启动蓝牙。将音量调高约四分之一。同时将原设备（传送音频的设备）的音量调高。
- 打开已激活设备上的蓝牙无线技术。
- 当您的设备屏幕上出现“Tivoli Audio蓝牙（未配对）”时，选择该设备，开始搜索。个别设备可能提示输入PIN。此时，输入“0000”。“Tivoli Audio蓝牙”将从“未配对”变为“已连接”。
- 您将听到型号一收音机发出提示音，确认连接，此时，您可以无线播放您的音乐文件。调节设备上的音量。您不必重新匹配设备。根据不同设备的情况，在配对和/或连接到型号一收音机时，您可能需要进行多次尝试，但在重复该过程之前，请给设备足够的配对或连接时间。

请勿使用任何刺激性的清洁剂或溶剂。避免喷涂用的蜡类。清洁之前，请断开型号一收音机的电源。可使用微湿的软布擦拭表面。对木制机箱进行粉刷或着色，将使保修无效。

注：Tivoli Audio音频机箱使用纯实木板制成。因天然木材会出现较大变化，因此不同型号之间很难实现完全的木材颜色/纹理匹配。您可能发现随着时间的推移，经过日晒之后，木材将变暗。这是实木的正常现象。

型号: Tivoli Audio®型号—® BT
类型: AM/FM单声道桌面收音机, 带蓝牙®无线技术
扬声器: 1x76.2毫米 (3") 全音域扬声器
尺寸: 21.3 cm W x 11.4 cm H x 13.3 cm D
(8.375" W x 4.5" H x 5.25" D)
重量: 1.88公斤 (4.14磅)

本产品参数可能随时进行修改, 恕不另行通知。Tivoli Audio有权对产品进行修改, 恕不另行通知。Tivoli Audio、Tivoli Audio标识和型号—均为Tivoli Audio商标。蓝牙文字标记与标识均为Bluetooth SIG, Inc.公司所有的注册商标, Tivoli Audio获得授权使用该商标。其他商标权均属于各自持有人所有。



Denna symbol avser att varna användaren för att icke isolerad spänning kan förekomma inuti apparaten. Vidrörande av delarna inuti apparaten kan leda till elektriska stötar.



Denna symbol avser att upplysa användaren om att viktiga instruktioner angående användandet och handhavandet av apparaten finns att läsa i bruksanvisningen.

Viktiga Säkerhetsföreskrifter

1. Läs dessa anvisningar.
2. Spara dessa anvisningar.
3. Beakta alla varningar.
4. Följ alla bruksanvisningar.
5. VARNING! För att undvika risk för brand eller elektrisk stöt, bör denna anordning inte exponeras för regn eller fukt.
6. Rengör endast med en torr duk.
7. Blockera inte ventilationsöppningar. Installera i enlighet med tillverkarens anvisningar.
8. Installera inte nära värmekällor som exempelvis värmeledningselement, värmeaggregat, spisar eller andra apparater (inklusive förstärkare) som genererar värme.
9. Modifiera aldrig polariserade och jordade stickkontakter så att deras säkerhetsfunktioner påverkas. En polariserad stickkontakt har två blad, där det ena är bredare än det andra. En jordad stickkontakt har två blad och ett tredje jordat stift. Det breda bladet, eller tredje stiftet, är för din säkerhet. Om stickkontakten som medföljer inte passar in i uttaget ska du konsultera en elektriker för att byta ut det föråldrade uttaget.
10. Skydda nätsladden så du inte trampar på eller klämmer ihop den, speciellt vid stickkontaktens och eluttagets anslutningspunkt.
11. Använd endast tillbehör/tillvalsutrustning som specificeras av tillverkaren.
12. Använd endast med vagn, stativ, trefotsstativ, fäste eller bord som specificerats av tillverkaren eller som säljs med anordningen. När du använder vagn ska du vara försiktig när du flyttar kombinationen vagn/anordning för att undvika personskada om enheterna välter.
13. Koppla från denna apparat under åskväder eller om den inte ska användas under en längre tid.
14. Använd denna produkt endast med en sådan strömkälla som anges på bakpanelen. För produkter som använder en extern strömförsörjningsdel ska du ersätta den med en exakt liknande enhet om den förloras eller skadas. För produkter som är batteridrivna hänvisas du till användarhandboken.
15. Koppla denna produkt från vägguttaget och hänvisa underhållet till kvalificerad servicepersonal under följande förhållanden:
 - a. När nätsladden eller stickkontakten är skadad.



- b. Om vätska har spillts på eller föremål fallit in i produkten.
 - c. Om produkten har exponerats för vatten eller regn.
 - d. Om produkten inte fungerar normalt även om du följer bruksanvisningen.
 - e. Om produkten har tappats i marken eller skadats på något sätt.
 - f. När produkten uppvisar klara tecken på ändrad funktionalitet.
16. När reservdelar krävs ska du säkerställa att serviceteknikern har använt sådana reservdelar som specificerats av tillverkaren eller som har samma egenskaper som de originaldelarna. Oauktoriserade utbytesdelar kan resultera i brand, elektriska stöt eller andra risker.
 17. Efter fullgjord service ska du be serviceteknikern utföra säkerhetskontroller för att bekräfta att produkten är i fullgott driftsskick.
 18. Denna apparat bör inte utsättas för droppar och stänk, och inga vattenfyllda föremål, som exempelvis vaser, bör placeras på apparaten.
 19. Det rekommenderade driftstemperaturområdet är 5°C till 40°C (41°F - 104°F).
 20. 12 VDC-ingången är avsedd för användning av produkten i en båt eller husvagn med hjälp av en 12 VDC-tillvalsadapter på 12 VDC, med 1 A säkring.
 21. Håll produkten på ett säkert avstånd från öppen eld, t.ex. ett tänd ljus.
 22. VARNING - Elnätet är inte fränkopplat i läge av, men kretsarna är fränkopplade.
 23. Kanada uppfyller kraven RSS210, ICES-003.
 24. Stickkontakten utgör fränkopplingsanordningen och bör hållas nära till hands.



VARNING! DEN MONTERADE MODEL ONE BT-ANTENNEN ÄR INTE AVSEDD ATT DEMONTERAS.

Denna produkt kan återvinnas. Produkter med denna symbol får INTE slängas med normalt hushållsavfall. I slutet på produktens livslängd ska du ta den till ett samlingsställe designat för återvinning av elektriska och elektroniska produkter. Kontakta dina lokala myndigheter för mer information om retur och samlingsställen.

Det europeiska WEEE-direktivet för insamling av uttjänta elektronikprodukter implementerades för att drastiskt minska mängden avfall som går till avfallsupplag, i syfte att minska miljöeffekten på planeten och mänsklig hälsa. Agera ansvarsfullt genom att återvinna förbrukade produkter. Om denna produkt ännu är användbar, överväg att ge bort eller sälja den.



Bruksanvisning För Model One BT

Vi gratulerar dig för ditt köp av bordsradion Model One BT. Bluetooth trådlös teknik kan strömma musiken trådlöst från Model One BT.

Vi vet att du är ivrig att använda din nya radio, men läs först denna användarhandbok och dessa säkerhetsinstruktioner. Om du har frågor ska du kontakta återförsäljaren eller Tivoli Audio.

Spara förpackningen med allt packmaterial så att du har allt kvar om någonsin skulle behöva skicka radion tillbaka, eftersom transportskada inte omfattas av garantin.

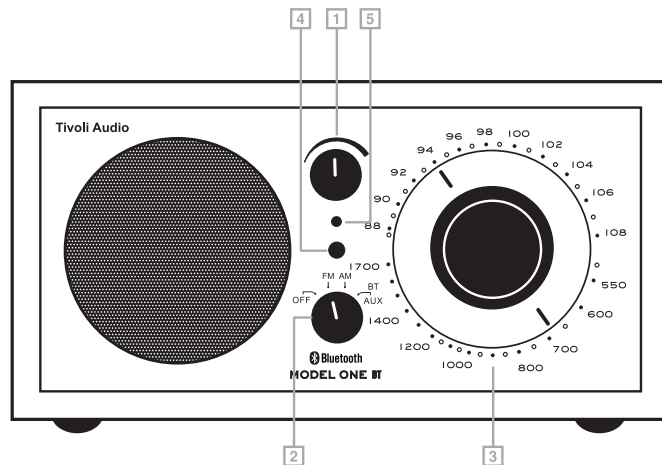
Vi tackar dig för att du valde Tivoli Audio och vi hoppas att trivs med din nya Model One BT-radio.

Nedanstående artiklar medföljer Model One BT-radion:

- (1) Extern strömkälla och medföljande stickkontaktadapters.
- (1) FM teleskopantenn

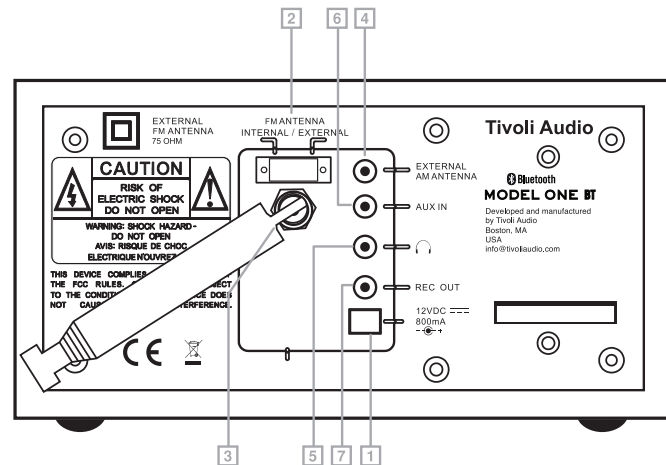
Kontakta återförsäljaren eller Tivoli Audio om någon av dessa artiklar saknas.

Funktioner (Framsida)



- VOLYMRATT:** Vrid volymratten till höger för att öka volymen och till vänster för att minska den. Denna ratt reglerar även ljudvolymen till hörlurarna.
- RATTEN OFF/FM/AM/AUX:** Vrid ratten ett klick till höger för att höra FM-bandet, två klick till höger för att höra AM-bandet och tre klick till höger för att välja hjälpingången (AUX). För att aktivera Bluetooth ska du växla till läge AUX och följa stegen i avsnittet to "Använda Bluetooth".
- AVSTÄMNINGSRATTEN:** Vrid den analoga avstämningratten till höger eller till vänster för att justera frekvensområdet för FM (övre halvan) eller AM (nedre halvan).
- AVSTÄMNINGSIKATOR:** Lyser klarast när den bästa avstämningen har uppnåtts. En del AM-stationer tänds inte avstämningssindikatorn och bör avstämmas manuellt för bästa signal. Lampan kan vara tänd eller släckt i AUX-läget, beroende på AM-skalans läge.
- STRÖMINDIKATOR:** Lyser när källratten är något annat läge än Av.

Funktioner (Bakpanelen)



- 12 VDC/1,5A:** Denna ingång är för användning med en 12 VDC-tillvalsadapter med 1,5A-säkring, för användning i båt eller husvagn. Kontaktdonet måste vara 5,5 mm/2,1 mm centerpositivt.
- FM-ANTENNBRYTARE:** Växlar mellan intern och extern FM-antenn. Denna brytare påverkar inte AM-mottagningen. I vissa fall kan FM-mottagningen förbättras när man sätter antennbrytaren på External.
- EXTERN FM-ANSLUTNING:** När du lyssnar på FM, beroende på ditt land, ska du skjuta den medföljande trådontennen över denna FM-kontakt eller justera teleskopantennen och positionera den för bästa mottagning. På ställen med stark FM-signal, kan mottagningen bli bättre om antennen förkortas. När enheten inte används eller när du lyssnar på AM, håll antennen indragen för att skydda den. Denna antenn påverkar inte AM-mottagningen. För mer information se avsnittet "Mottagning".
- EXTERN AM-ANSLUTNING:** I vissa fall kan AM-mottagningen förbättras genom att man ansluter en extern AM-antenn (medföljer ej) till detta uttag, som accepterar en 3,5mm stereo, minihankontakt. För mer information se avsnittet "Mottagning".
- HÖRLURAR UT:** Anslut hörlurarna (medföljer ej) till denna variabla stereoutgång för privat lyssnande. Hörlurarna tystar huvudhögtalaren. Du justerar hörlurarnas volym med hjälp av volymratten. Denna stereoutgång accepterar en 3,5mm stereo, minihankontakt. Justera inte hörlurarna vid höga ljudnivåer för att undvika risk för hörselskada.
- AUX IN:** För att lyssna på ljud från en annan anordning, t.ex. CD-spelare, MP3-spelare eller dator, ska du ansluta nämnda apparats ljudutgång till denna stereoingång och växla källratten på framsidan till Aux. Den anslutna apparaten slås inte på när du växlar till Aux-läge. Denna stereoingång accepterar en 3,5mm stereo, minihankontakt. Höger och vänster stereosignal kombineras till mono. AUX IN-porten är inte tillgänglig när en Bluetooth-anordning är ansluten. Du måste först koppla från en Bluetooth-enhet innan du kan använda den inbyggda AUX IN-funktionen.

OBS! Du måste möjligen justera volymen på ett annat sätt för en hjälpanordning än när du justerar ljudvolymen för att lyssna på radio.

7. **REC OUT:** Du kan spela in från Model One BT-radion genom att ansluta en kassetbandspelares ljudingång (eller någon inspelningsanordning) till denna inbyggda stereoutgång. Du kan även använda Model One BT-radio som en högpresterande analog avstämningseenhet genom att ansluta den till ljudingången på en förstärkare eller integrerad förstärkare. Huvudhögtalaren tystas inte när du använder denna utgång. Denna utgång accepterar en 3,5mm stereo, minihankontakt.

Bluetooth

Före parning ska du verifiera att din anordning stödjer Bluetooth och att anordningen inte är ansluten till någon annan Bluetooth-produkt. Anordningar kan paras på olika sätt. Nedan följer några allmänna riktlinjer.

1. Sätt Model One BT i läge Aux. Detta slår på Bluetooth. Vrid volymen upp till ca 1/4 till att börja med. Du ska även öka volymen på källanordningen (från den anordning som du strömmar).
2. Slå på Bluetooth:s trådlösa teknik på din aktiverade anordning.
3. Välj "Tivoli Bluetooth (Not Paired)" när meddelandet visas på anordningens skärm för att börja söka. En del enheter kan be dig ange ett PIN-nummer. Om detta är fallet, ange "0000". "Tivoli Bluetooth" ändras från "Not Paired" (inte parat) till "Connected" (ansluten)
4. Du hör en rington från Model One BT vilket bekräftar anslutningen och du kan börja spela dina musikfiler trådlöst. Justera volymen på din anordning. Du ska inte behöva para anordningen på nytt. **Beroende på din anordning, måste du möjligen göra flera försök att para och/eller ansluta anordningen till Model One BT, men ge din anordning tillräckligt med tid för parning eller anslutning innan du upprepar processen.**

Rengöring

Använd aldrig starka rengörings- eller lösningsmedel på radion. Undvik vax som sprejas på. Dra ut stickkontakten på Model One BT-radion innan du rengör den. Framsidan kan rengöras med en något fuktig, mjuk duk. Garantin ogiltigförklaras om du målar eller betsar apparatlådan av trä.

OBS! Tivoli-apparatlådor byggs av faner. Eftersom naturligt trä varierar i utseende är det inte möjligt att uppnå exakt träfärgs-/fibreriktningssmatchning mellan modeller. Du kan även notera att träet blir mörkare med tiden efter exponering för solljus. Detta är också naturligt för naturligt trä.

Begränsad Garanti

Tivoli Audio tillverkar sina produkter enligt mycket höga standarder och vi är övertygade om att våra produkter kommer att fungera bra. Följaktligen garanterar vi våra produkter mot tillverkningsfel i material och utförande till den ursprungliga ägaren, under en period av ett år i USA och två år i Europeiska unionen från det ursprungliga inköpsdatumet. I länder där minimikrav på garanti bestäms enligt lag är garantitiden den lagstadgade perioden som krävs. På alla andra platser är garantitiden ett år.

Denna garanti omfattar inte skador orsakade av felaktig installation, felaktig utrustning, modifieringar, obehörig reparation, leveransskada eller förlust, missbruk, olyckor, användning på felaktig spänning / ström, blixtnedslag eller andra handlingar av Gud, normalt slitage, kommersiell användning eller köp från obehöriga återförsäljare. Köpsbevis som bevis för att enheten köptes från en auktoriserad återförsäljare inom garantiperioden kan krävas för garantiservice. Om service är nödvändig, vänligen returnera INTE produkten utan att först kontakta din återförsäljare eller Tivoli Audio.

Denna garanti kan inte överföras. Tivoli Audio betalar inte för förlust av tid, besvär, förlust av användning av produkten eller skador orsakade av denna produkt.

Denna garanti ger dig specifika juridiska rättigheter och du kan också ha andra rättigheter som varierar från stat till stat. Vissa stater tillåter inte begränsningar av underförstådda garantier eller uteslutning av följdskador, därför kan dessa begränsningar kanske inte gälla dig.

För mer garantiinformation, besök oss på www.tivoliaudio.com

För europeisk garantiinformation, besök www.tivoliaudio.eu

Specifikationer

Modell: Model One BT™

Typ: AM/FM monokopplad bordsradio med Bluetooth trådlös teknik

Sändare: En 76,2 mm (3") sändare med full räckvidd

Mått: 21,3 cm B x 11,4 cm H x 13,3 cm D
(8,375" B x 4,5" H x 5,25" D)

Vikt: 1,88 kg (4,14 lbs)

Specifikationerna kan ändras utan föregående varsel.


Tivoli Audio förbehåller sig rätten att göra produktändring utan föregående varsel.


Tivoli Audio, Tivoli Audios logotyp och Model One BT är varumärken som tillhör Tivoli Audio, Inc. Bluetooth ordmärket och logotypen är registrerade varumärken som tillhör Bluetooth SIG, Inc. och all användning av sådana märken av Tivoli Audio är under licens. Andra varumärken och handelsnamn tillhör sina respektive ägare.



安全上のご注意は必ずお守りください

誤った使い方をしたときに生じる危険の程度を、次の表示で区分して、説明しています。

 **警告** 死亡や重傷などの危険のおそれがあるものです。

 **注意** 傷害や家屋などの損害のおそれがあるものです。

お守りしていただく内容を、次の図記号で説明しています。

	絶対に行わないでください		絶対に触れないでください		絶対に分解しないでください
	絶対に水にぬらさないでください		絶対にぬれた手で触れないでください		浴室や台所などで使わないでください。
	気を付けてください		必ず指示に従ってください		必ず電源プラグをコンセントから抜いてください

警告

 電源プラグを抜く	変なにおいがしたり、内部に物が入ったときなど、異常や故障があった時は、直ぐに電源プラグを抜く 火災や感電の原因になります。直ぐに電源を切り、コンセントから電源プラグを抜いて、販売店に修理のご相談をしてください。	 禁止	ACアダプター、電源コードを傷つけない ・無理に曲げない ・ねじらない ・引っ張らない ・物をのせない ・束ねない 火災や感電の原因になります。 ACアダプターや電源コードの修理は販売店にご相談ください。
 禁止	必ずAC100Vで、タコ足配線をししないで、お使いください 火災や感電の原因になります。	 水ぬれ禁止	ACアダプターは水にぬらさない 火災や感電の原因になります。
 接触禁止	雷が鳴ったら、本体、ACアダプター、電源プラグ、アンテナ線に触れない 感電の原因になります。	 ぬれ手禁止	ぬれた手で電源プラグの抜き差しをしない 感電の原因になります。
 禁止	内部に物や水を入れない 火災や感電の原因になります。お子様に注意してください。内部に物が入ったときは、販売店にご相談ください。	 分解禁止	分解・改造をしない 感電や火災の原因になります。
 禁止	破損した場合は、電源プラグを抜いて、使わない 落したり、ぶつけたりして破損した場合は、直ちに電源プラグを抜いて、使わないでください。火災や感電の原因になります。	 禁止	電池は、幼児の手の届くところに置かない 誤って飲み込むと、窒息する危険があります。

⚠ 注意

	<p>不安定な場所に置かない 落ちたり、倒れたりしたときに、けがの原因になります。</p>		<p>風通しの悪いところに置かない 内部に熱がこもると、火災や故障の原因になります。</p>
	<p>温度が高いところや、湿気が多いところでは使わない ・直射日光の当たる場所 ・車の中 ・ストーブの近く ・浴室や台所 火災や感電の原因になります。</p>		<p>電源に接続した状態で移動させない ACアダプター、電源コードが傷つき、火災や感電の原因になります。</p>
	<p>必ず付属専用ACアダプターを使う 付属品以外のACアダプターを使用すると、火災や感電の原因になります。</p>	 <p>電源プラグを持つ</p>	<p>コンセントの抜き差しは、電源プラグを持って行う 電源コードの傷や断線が起こると、火災や感電の原因になります。</p>
 <p>電源プラグを抜く</p>	<p>長時間使わないときや、お手入れのときは、コンセントから必ず電源プラグを抜く 火災や感電の原因になります。</p>		<p>電源プラグのほごりを定期的にとる 火災や感電の原因になります。</p>

電波に関するご注意

本製品は、2.4 GHz帯の周波数帯域を使用しております。同じ周波数帯域を使用する他の機器との電波干渉を避けるために、下記注意事項をお守りください。本製品の使用周波数帯域

では、電子レンジなどの産業・科学・医療機器のほか、工場の製造ラインなどで使用される移動体識別用の構内無線局（免許が必要な無線局）、特定小電力無線局（免許が不要な無線局）およびアマチュア無線局（免許が必要な無線局）が運用されています。

1. 本製品を、ご使用される前に、近くで移動体識別用の構内無線局、特定小電力無線局およびアマチュア無線局が運用されていないことを確認してください。
2. 万一、本製品から移動体識別用の構内無線局に対して、有害な電波干渉の事例が発生した場合には、本製品の電源を切り、当社相談窓口にご連絡いただき、混信回避のための処置（例えば、パーテーションの設置など）についてご相談ください。
3. その他、本製品から移動体識別用の特定小電力無線局またはアマチュア無線局に対して有害な電波干渉の事例が発生した場合や、ご不明な点が発生した場合は、当社相談窓口にお問い合わせください。

本製品は、電波法に基づく技術基準適合証明を受けております。無線局の免許は不要です。

本製品に、次の行為を行うことは電波法で禁止されています。

- ・ 分解や改造を行う
- ・ 本製品に表示されている技術基準適合証明ラベルを消したり、はがしたりする。

使用可能範囲

- ・ 約10m以内の範囲で、接続するBluetooth®機器をお使いください。
- ・ 本製品と接続するBluetooth®機器の間に障害物がある場合や、建物の構造などによって使用可能範囲は短くなる場合があります。
- ・ 他の機器との電波干渉
- ・ 電子レンジ、デジタルコードレス電話、その他の2.4 GHz帯を使用する機器の近くで使用すると、音声の途切れや通信速度が遅くなる場合があります。このような場所での使用はお控えください。
- ・ 通信時に発生した情報の漏えいについては、当社では一切の責任を負えないことをご了承ください。

Model One BT Instructions について

Tivoli Audio Model One BTをお買い上げいただき、ありがとうございます。

Bluetoothワイヤレス技術が搭載された本テーブルラジオは、音楽をワイヤレスで再生をする事が可能です。

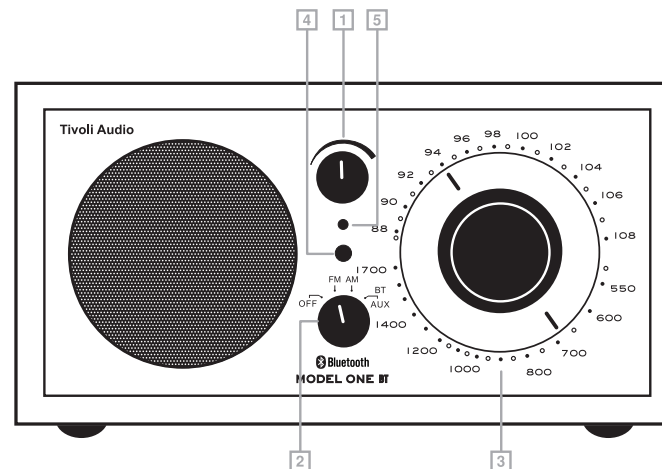
本製品の機能を最大限にお楽しみいただくために、この取扱説明書と、安全上のご注意をよくお読みいただき、よくご理解のうえ、お使いくださる様をお願いいたします。

製品の梱包箱やパッキングなどは、本製品の輸送時などに必要となりますので、保管しておくことをお奨めいたします。

輸送時の製品破損についての修理は、無償保証規定外の修理となりますのであらかじめご注意ください。

この度は、チボリオーディオ製品をお選びいただき、誠にありがとうございました。

名称と機能(前面部)



1. VOLUME KNOB: 音量ノブ

音量を上げるにはこのノブを右に、下げるには左に回します。このノブでヘッドホンの音量も調節します。

2. OFF/FM/AM/BT AUX KNOB: AUX:切 / F M / A M / 補助入力ノブ

FM 放送を聴きたいときは、このノブを右に 1 度回します。AM 放送を聴きたいときは、このノブを右に 2 度回します。補助入力を選択したいときは、このノブを右に 3 度回します。Bluetooth を起動したいときは、BT AUX の位置に切替え、「Bluetooth ブルートウスの使い方」項目に書かれた手順をご参照ください。

3. TUNING KNOB: 選局ダイヤル

アナログチューニングダイヤルを右又は左に回し、FM(ダイヤルの上半分)又はAM(ダイヤルの下半分)の周波数領域に合わせ選局できます。

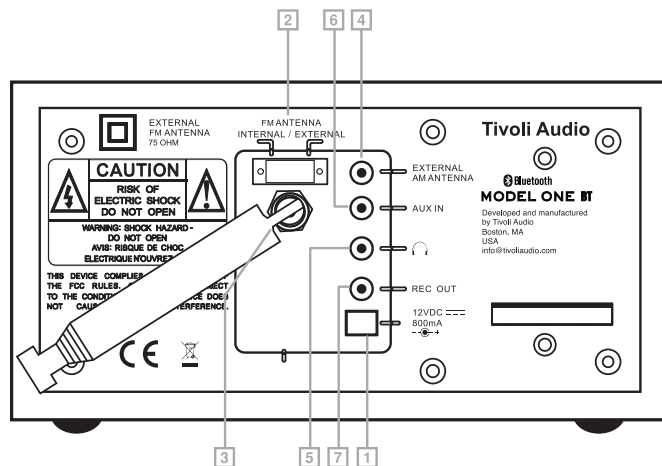
4. TUNING INDICATOR: 選局表示

この表示ランプは選局状態が最良のときにより明るく光ります。

5. POWER INDICATOR: 電源表示

電源がOFF(切)以外のときに点灯し、電源が入っていることを表示します。

名称と機能 (背面)



1. 12VDC/1.5A: 入力端子 (12VDC)

付属している専用ACアダプターのDCプラグを接続してください。付属以外のアダプターは使用しないでください。

2. FM ANTENNA SWITCH: FMアンテナ切替えスイッチ

FM受信する際、FMアンテナを内部 (INTERNAL)・外部 (EXTERNAL) で切り替えて下さい。このスイッチは AM の受信には関係ありません。

3. EXTERNAL FM CONNECTION: 外部FM 接続端子

付属の外部FM アンテナをこの端子に接続し、アンテナスイッチを「EXTERNAL」にセットすることでFMの受信状態が良くなる場合があります。「より良い受信について」の項を御参照下さい。付属のFMアンテナをとりはずす場合、黒のコネクタをしっかりとつかんで下さい。アンテナを損傷させないよう、ワイヤーを絶対に引っ張らないで下さい

4. EXTERNAL AM CONNECTION: 外部AM 接続端子

別売の外部AM アンテナをこの端子に接続するとAMの受信状態が良くなる場合があります。詳細は「より良い受信について」の項を御参照下さい。

5. HEADPHONE OUT: ヘッドホン出力端子

一人でサウンドを楽しむ時は、このステレオ出力端子にヘッドホン (別 売) を接続して下さい。ヘッドホンをつなぐとスピーカーから音がでなくなります。ヘッドホンの音量は、音量ノブで調節できます。このステレオ出力端子には3.5mm ステレオミニプラグを使うことができます。ヘッドホンをお使いの際は、聴力を損傷しないよう、音量が大きすぎない

6. AUX IN: 補助入力端子

他の機器 (CD プレーヤ、MP3 プレーヤ、コンピュータ、オーディオ機器 など) を聞く場合、そのオーディオ機器の出力部とこのステレオ補助端子をつなぎ、前面部のOFF / FM / AM / AUXノブをAUX まで回して下さい。AUX まで回しても接続された機器の電源は入りません。このステレオ端子は3.5mm ステレオミニプラグ用です。左右のステレオ信号を足すことによりモノラル信号になります。Bluetooth 機器が接続されている場合、この入力端子は使用できません。まずBluetooth 機器の接続を外してください。

補助入力機器を使用の際は、ラジオを聴く音量レベルと異なる音量レベルで調整したほうがよいことがあります。

7. REC OUT: 録音出力端子

他の録音機器をこの固定レベルステレオ出力に接続して Model One BT から録音できます。プリアンプ又はアンプのオーディオ入力となぐことで、高性能のアナログチューナーとしても Model One BT が使えます。この出力端子に接続したときは、モデルワン BT の主スピーカーからも音が出ます。この端子には、3.5mm ステレオミニプラグを使うことができます。

Bluetooth®に対応した機器を接続する

Bluetooth®に対応した機器を接続し、ワイヤレスで音楽などを聴くことができます。【

ご注意】接続するBluetooth®に対応した機器の取扱説明書をよくお読みのうえ、本製品との接続を行ってください。本製品はBluetooth®に対応しています。

1. 接続するBluetooth®に対応した機器の状態を確認する 他の機器とBluetooth®接続されていないことを確認してください。他の機器と接続されている場合は、接続を解除してください。
2. Bluetooth®モードにする 前面パネルのモード切替スイッチをBT AUXの位置に合わせてください。Bluetooth®モードになり、接続可能な状態になります。【ご注意】Bluetooth®モードでは接続されている機器側で音量を調整することができます。本製品の前面パネルの音量調節ボリュームを約1/4の位置に合わせたあとで、接続する機器側で音量調節をしてください。
3. ペアリングの準備をする 接続するBluetooth®に対応した機器のBluetooth®機能を動作させてください。接続できる機器の検索(スキャン)が始まります。【ご注意】本製品に近づけてペアリングを行ってください。
4. ペアリングを開始し、機器を登録する 検索(スキャン)が終了すると、接続するBluetooth®に対応した機器の画面に、接続可能な製品が表示されます。「Tivoli Bluetooth(未接続)」を選択して、ペアリングを開始してください。ペアリングが正常に終了すると、表示が「Tivoli Bluetooth(接続)」に変わり、本製品より接続完了の確認音が聞こえます。【ご注意】PINコード(パスワードまたはパスコード)の入力指示が表示される場合は、「0000」(ゼロを4つ)を入力してください。

より良い受信について

内部FM/AMアンテナでも良好に受信できますが、オプションの外部アンテナによってさらに最適な受信状態になります。75Ωの同軸ケーブルを外部FM端子に接続することでより良く受信できますが、ご家庭で使用しているケーブルテレビ会社に、このサービスについて確認する必要があります。AMラジオを聴くには、最適な位置にラジオの向きを変えて下さい。別売の外部AMアンテナを使うとAMの受信状態が良くなる場合があります。鉄筋コンクリート、鉄、アルミニウム製の壁板を用いた建物では受信状態が悪くなります。家庭用電気製品・電気毛布・コンピュータ・CDプレーヤーや他の電子機器が受信に影響したりノイズを出したりする可能性があります。このような場合、モデルワンBTの受信を妨害している機器から遠ざけるか、機器が接続されている回路の電源コンセントとは違うコンセントにプラグを接続してください。金属表面もAM受信を妨害します。

設置場所について

- ⚠ 注意
- ❗ モデルワンBTは、平らで、安定した平面に置いて下さい。
- 🚫 底面の、低音ポートをふさがないようにください。
- ❗ モデルワンBTは、電磁シールドされていませんので、少なくとも15cmはコンピュータのモニターやテレビから離して下さい。
- ❗ モデルワンBTは、縦向き、横向きにも置くことができます。本箱や棚に置いたり、壁や部屋の隅に置くと低音部が増幅されます

お手入れについて

- ⚠ 注意
- 🔌 お手入れの前に、モデルワンBTのプラグを電源コンセントから抜いて下さい。
- ❗ 少し湿った柔らかい布で表面のお手入れをして下さい。
- 🚫 粗い磨き粉や洗剤を使用しないでください。
- 🚫 スプレー式ワックスを使用しないで下さい。
- 🚫 木箱の表面にペンキを塗ったり着色したり、あるいはシミをつけたりしますと保証の対象外になります。

【備考】

表面の色や木目の多様さは本物の木ならではのものです。キャビネットに自然な美しさが生まれます。その結果、他のTivoli Audio製品と風合いが異なる場合があります。

Tivoli Audio製品のキャビネットには、天然木を使用しています。天然の木にはばらつきがあるため、製品によって木の色や手触りが異なります。又、直射日光によって木の色が変色します。これは天然木の特性です。

無料修理規程

取扱説明書、本体貼付ラベルなどの注意書に従った使用状態で保証期間内に故障した場合には無償修理をさせていただきます。※ネットオークションでお買い上げいただいた場合、保証が適用されない場合があります。

無償修理をご依頼になる場合には、商品に本書を添えていただき、お買い上げの販売店までお申し付けください。

次のような場合は、保証期間内でも有償修理になります。

1. ご使用上の誤り、および不当な修理や改造による故障および損傷。
2. お買い上げ後の落下や輸送上の故障、および損傷。
3. 火災、ガス害、地震、風水害、落雷、異常電圧、およびその他の天災地変による故障および損傷。
4. 本書のご提示がない場合。
5. 本書に、お客様名、お買い上げ日販売店名の記入のない場合、あるいは字句を書きかえられた場合。
6. 一般家庭用以外（たとえば業務用など）にご使用の場合の故障および損傷。
7. ご使用後のキズ、変色、汚れ、及び保管上の不備による損傷。
8. 腐食による故障および損傷。
9. 樹脂加工やメッキの磨耗や打痕、プラスチック部の損傷。
10. 故障の原因が本製品以外（電源など）にあつてそれを点検、修理した場合。

本書は日本国内においてのみ有効です。(This warranty is valid only in Japan)

主な仕様

型式	:	チボリオーディオ Model One BT
タイプ	:	Bluetooth ワイヤレス技術搭載
ドライバ	:	AM/FM アナログモノラルラジオ
サイズ	:	3 インチ(76.2mm) フルレンジドライバ× 1
質量	:	幅213× 高さ114× 奥行133 mm 1.88 kg

仕様は、予告なしに変更されることがあります。Tivoli Audio は、予告なしに製品変更を行う権利を保有します。Tivoli Audio ロゴマーク、Model One BT は Tivoli Audio, Inc. の登録商標です。Bluetooth® の文字商標及びロゴマークは Bluetooth SIG 社所有の登録商標です。また、Tivoli Audio はそれらの商標の使用許可を得ています。他の商標及び商品名は、其々の所有者に帰属します。Tivoli Audio は操作上、技術上、或いは内容上の誤り、脱字に対して責任を負いかねます。Tivoli Audio で他に興味をお持ちの製品の情報は、弊社ウェブサイトをご覧ください、直接ご連絡下さい。



品名:	
お買い上げ日 年 月 日	販売店名・住所・電話番号
保証期間(お買い上げ日から) 1年間	
お客様	お名前
	電話番号: ご住所:(〒 —)

※購入日を証明するレシートまたは送り状などを必ず添付してください。

【無償修理規定】

取扱説明書、本体貼付ラベルなどの注意書に従った使用状態で保証期間内に故障した場合には無償修理をさせていただきます。

※ネットオークションでお買い上げいただいた場合、保証が適用されない場合があります。

無償修理をご依頼になる場合には、商品に本書を添えていただき、お買い上げの販売店までお申し付けください。

次のような場合は、保証期間内でも有償修理になります。

- (1) ご使用上の誤り、および不当な修理や改造による故障および損傷。
- (2) お買い上げ後の落下や輸送上の故障、および損傷。
- (3) 火災、ガス害、地震、風水害、落雷、異常電圧、およびその他の天災地変による故障および損傷。
- (4) 本書のご提示がない場合。
- (5) 本書に、お客様名、お買い上げ日販売店名の記入のない場合、あるいは字句を書きかえられた場合。
- (6) 一般家庭用以外(たとえば業務用など)にご使用の場合の故障および損傷。
- (7) ご使用後のキズ、変色、汚れ、及び保管上の不備による損傷。
- (8) 腐食による故障および損傷。
- (9) 樹脂加工やメッキの磨耗や打痕、プラスチック部の損傷。
- (10) 故障の原因が本製品以外(電源など)にあってそれを点検、修理した場合。

本書は日本国内においてのみ有効です。(This warranty is valid only in Japan.)

※この保証書は、本書に明示した期間、条件のもとにおいて、無償修理をお約束するものです。
したがって、この保証書によって、お客様の法律上の権利を制限するものではありません。

正規輸入代理店：株式会社ネイビーズ
〒107-0062 東京都港区南青山 5-6-3 メゾンブラッシュ II 2F
電話:03-6434-1541 FAX:03-6434-1540
support@navys.jp

Tivoli Audioサポートセンター情報
・電話番号: 03-6631-7839
・受付時間: 10:00~19:00(土日祝除く)

EU Declaration of Conformity

Manufacturer's Name: Tivoli Audio, Inc.

Manufacturer's Address: 218 Newbury Street, 1st Floor
Boston, MA 02116
United States of America

Declares under the sole responsibility that the

Product Name: Model One BT
Product Model Number: M1BT

The product herewith complies with the essential requirements of the Radio Equipment Directive 2014/53/EU when installed and used in accordance with the manufacturer's instructions.

EN 300 328 V2.1.1
EN 301 893 V2.1.1
EN 301 489-1 V2.1.1
EN 301 489-17 V3.1.1

The Model 1 BT complies with the following directives:

2011/65/EU RoHS, 2014/30/EU Electromagnetic Compatibility, 2014/35/EU Low-Voltage Devices

EMC

EN 55032:2015(replace of EN 55013) EN
55020:2007/A11:2011+A12:2016
EN 61000-3-2:2014
EN 61000-3-3:2013

Safety

EN 60065: 2014

Energy Efficiency

Implementation Measure EC Regulation 1275/2008:2008-12-17
Amended by (EC)278/2009:2009-04-06, (EC)642/2009:2009-07-22, (EU)617/2013:2013-06-26, (EU)801/2013:2013-08-22
Stage 5 (1. Jan. 2019)

Test Standard

PPP 11005E:2013
EN 50564:2011

Signed:



Name: Sam Herec
Position: Technical Product Manager
Date: April 12, 2019

Manufactured by

Tivoli Audio, Inc
Boston, MA USA

European Importer

Tivoli Audio, Cooperatief
Mariaplaats 3
3511 LH Utrecht
The Netherlands

www.tivoliaudio.com

 tivoliaudio

 @tivoliaudio