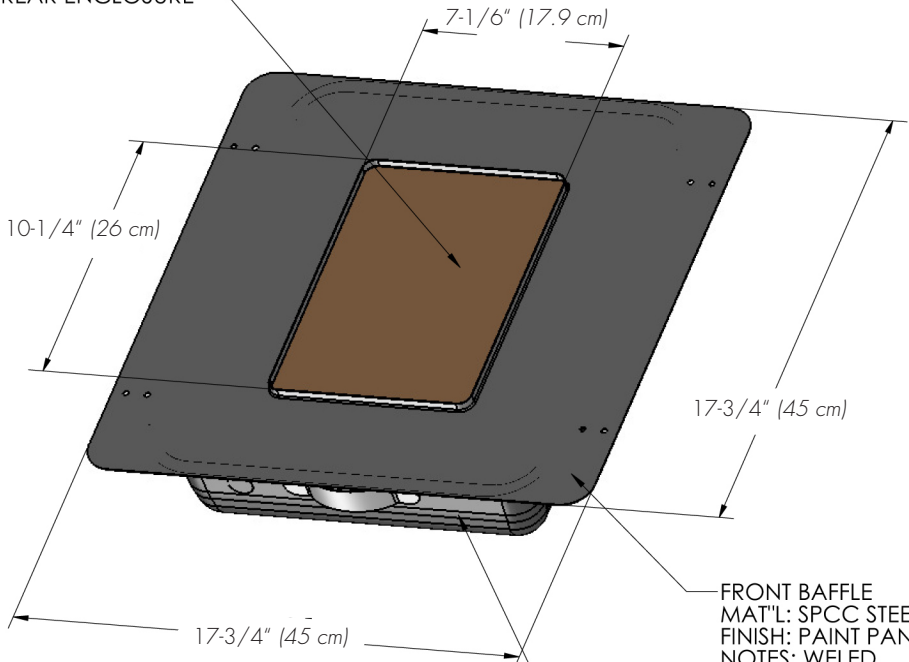


8 7 6 5 4 3 2 1

D
C
B
A

D
C
B
A

INSULATION MATERIAL
MAT'L: ROCK WOOL
NOTES: GLUED
TO REAR ENCLOSURE



FRONT BAFFLE
MAT'L: SPCC STEEL
FINISH: PAINT PANTONE COLOR 416U
NOTES: WELED
TO REAR ENCLOSURE

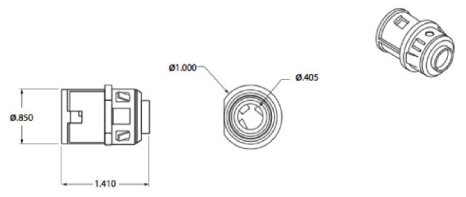
REAR ENCLOSURE
MAT'L: SPCC STEEL
FINISH: PAINT PANTONE COLOR 416U



SAFTY STRAP
MAT'L: SPCC STEEL
FINISH: PAINT PANTONE COLOR 416U
NOTES: WELED
TO REAR ENCLOSURE

PARTID: 1090000014
PRODUCT DESCRIPTION: FBX-160 FIRE RATED BACK BOX
REVISION NUMBER: REV 0

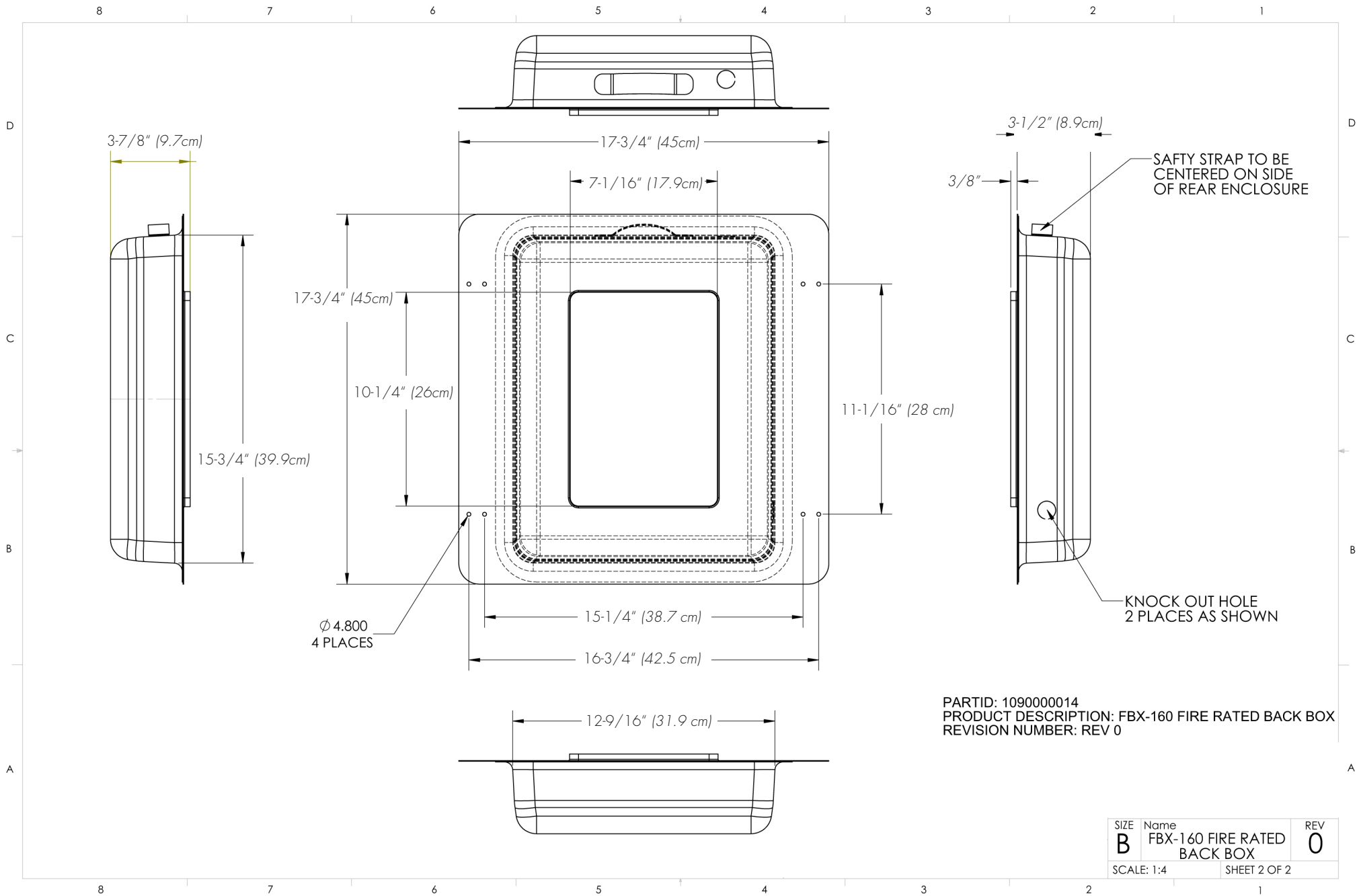
INCLUDED IN BOX
ARLINGTON PART#: 38AST
www.aifittings.com



SEE SHEET 2 OF 2
FOR MORE DETAIL

SIZE	Name	REV
B	FBX-160 FIRE RATED BACK BOX	0
SCALE: 1:4		SHEET 1 OF 2

8 7 6 5 4 3 2 1



SIZE	Name	REV
B	FBX-160 FIRE RATED BACK BOX	0
SCALE: 1:4		SHEET 2 OF 2