



Punch EQ Remote Install

The remote can be mounted in a variety of ways. Use the following instructions to mount the remote that suits your application.

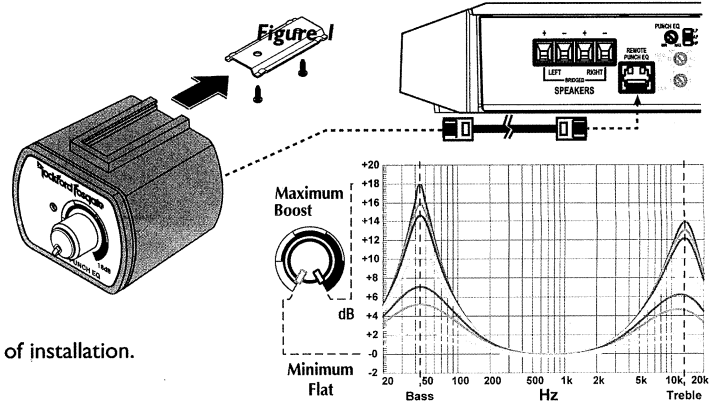
1. Find a location that gives easy access to the remote.
2. Route the cable for the remote and connect to the amplifier, figure 1.

Outside Panel Install

3. Using the screws supplied, install the mounting clip.

NOTE: The housing can be installed with the mounting tab up or down. See step 1 in figure 2, use a small flat-blade screwdriver in the slot at the top of the remote and pry the remote assembly from the housing. Reinstall housing as desired.

4. Slip the remote onto the mounting clip until it snaps into place.
5. Connect the cable to the back of the remote.



Panel Install-Disassembly

NOTE: The maximum panel thickness is 3/16" (0.1875" or 4.75mm) for this type of installation.

Disassemble the remote as shown in figure 2 as follows;

1. Use a small flat-blade screwdriver in the slot at the top of the remote and pry the remote assembly from the housing.
2. Pull the control knob straight off to remove.
3. Use a paper clip or the flat side of a small drill bit from the back side through the hole to push the cover plate off the housing cover.

NOTE: If the clear plastic LED extender is attached to the cover plate, remove it.

4. Remove the nut and washer and remove the remote assembly from the housing cover.

Panel Install-Standard

Ensure there is enough room within the panel area for connection and placement.

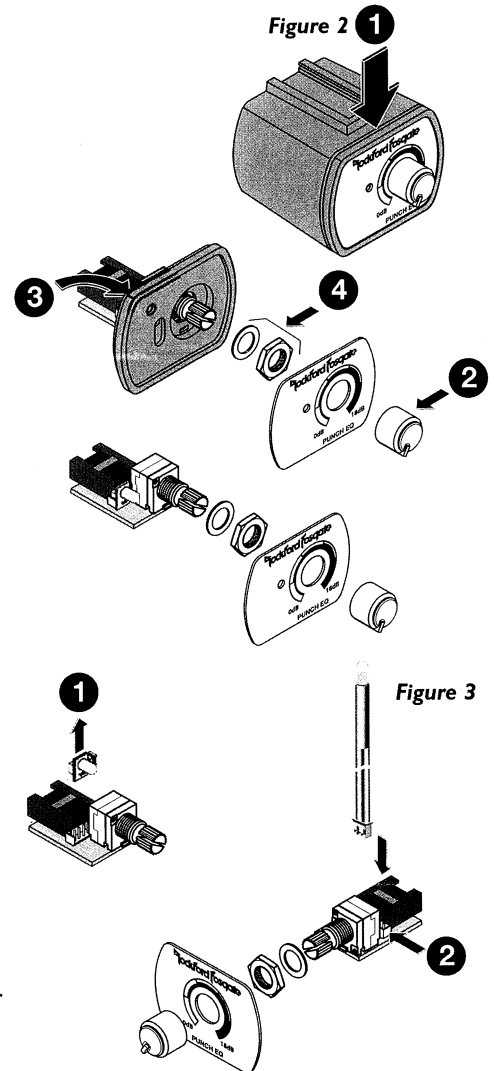
1. Use the plate with the LED hole as a template for hole positions.
2. Drill a 9/32" hole (0.281" or 7.14mm) for the knob shaft and a 3/32" hole (0.094" or 2.39mm) for the LED through hole.
3. Install the remote from the back side of the panel, aligning the knob shaft and LED with the drilled holes.
4. Install the cover plate washer and nut. Do not over-tighten the nut, just tighten until firm and secure.
5. Turn the knob shaft counter-clockwise to its lowest setting. Position and install the knob.
6. Connect the cable to the back of the remote.

Panel Install-Separated LED Placement

CAUTION: We suggest the following be done only by an experienced installer. Use of a grommet and/or double-sided tape (both not included) may be needed for a proper fit of the LED. Rockford Fosgate will in no way be held responsible for damage incurred by improper or novice installation.

Ensure there is enough room within the panel area for connection and placement.

1. Remove the LED from the remote assembly by pulling straight up, figure 3
2. Connect the cord from the LED into the 2-pin connector behind the knob shaft housing.
3. Drill a 9/32" hole (0.281" or 7.14mm) for the knob shaft.
4. Install the remote from the back side of the panel, aligning the knob shaft with the drilled hole.
5. Install the cover plate without LED hole, washer and nut. Do not over-tighten the nut, just tighten until firm and secure.
6. Turn the knob shaft counter-clockwise to its lowest setting. Position and install the knob.
7. Locate the position of the LED hole where the cord is not being over-extended.
8. Depending on the method of mounting, either a grommet and/or double-sided tape, drill the hole for a snug fit. Install the LED.
9. Connect the cable to the back of the remote.



Operation

CAUTION: Overexcursion and subsequent damage may occur at high levels of boost

Use the Installation and Operation manual that came with your amplifier for proper operation of the remote.

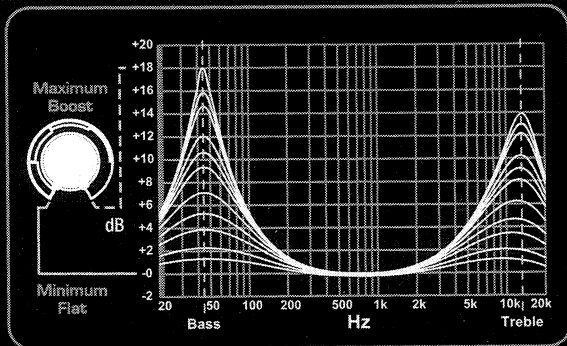
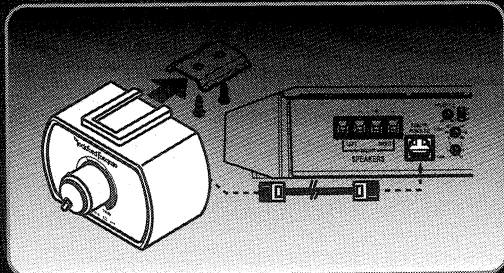
PEQ

Rockford Fosgate®

EXCEEDS
AMERICAN WIRE
GAUGE STANDARDS

Rockford Fosgate

With today's varying styles of music and multiple input sources, (i.e. MP3 players) the musical material can be lacking in bass and/or treble from song to song.



The remote Punch EQ is an equalizer for bass and treble that can be mounted anywhere in a vehicle. This remote control will automatically over-ride the amplifiers on-board EQ settings and deliver up to 3x the bass and/or treble at the touch of your fingertips.

Don't Forget...

- 1 Capacitors** - Keep your amps stable and your speakers from distorting. Delivers more BASS!
- 2 Distribution Blocks** - Use on main power wires to distribute power to multiple components.
- 3 Power/Ground Wires** - High temperature, high strand count copper power and ground wires ensure maximum current transfer.
- 4 Signal Cable** - Twisted construction eliminates noise for increased clarity and superior sound.
- 5 Speaker Wire** - High strand count copper wires ensure maximum output.
- 6 Crimp Rings & Spades** - Use on power and speaker wires for secure connections.

...Find Out More About These Products
www.rockfordfosgate.com/products



A Division of Rockford Corporation
600 South Rockford Drive
Tempe, Arizona, 85281 USA

Rockford Fosgate is a registered trademark of Rockford Corporation.

©2006 All Rights Reserved.

