

Rockford Fosgate

UNIVERSAL PUNCH LEVEL CONTROL

Compatible with
most source units, line
drivers and amplifiers.

- An in-line signal level control
- High quality audio taper potentiometer provides linear volume control over entire range
- Universal application

4

Mounting
Options

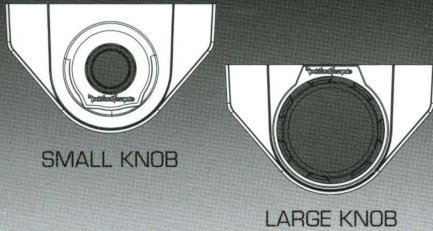
**3.5mm
to RCA**

AUX Input
(Rocker Switch Mount Only)

Rockford Fosgate

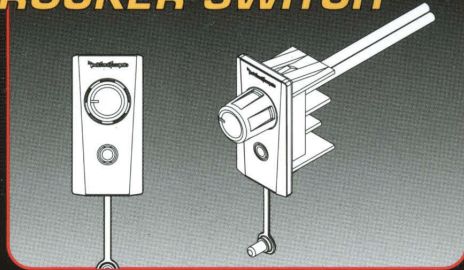
MOUNTING OPTIONS

UNDER PANEL



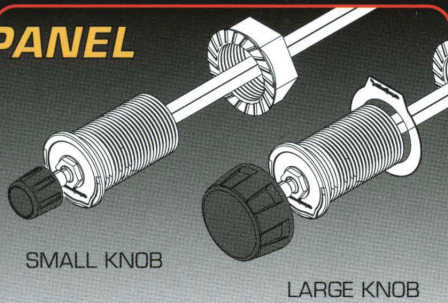
The under panel mount allows you to attach the attenuator to the under side of a dash or panel with two screws. You have the choice of using either the small or large knob with their corresponding bezel.

ROCKER SWITCH



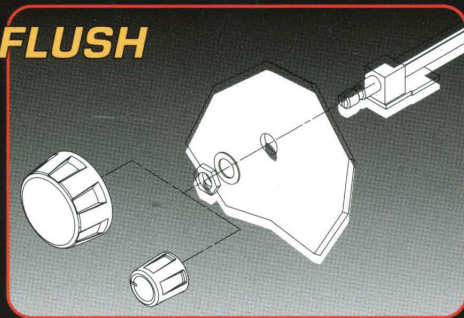
Using the rocker switch mount allows you to simply snap the rocker switch into place for easy installation and giving you access to the 1/8" (3.5mm) AUX input port.

PANEL



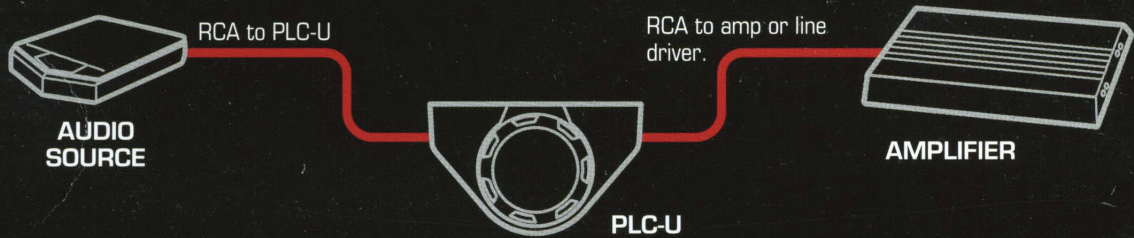
To panel mount your PLC-U, find a flat panel and drill a 1" (25mm) hole. You have the choice of using either the small or large knob with their corresponding bezel.

FLUSH



For a flush mount application, you can remove the attenuator from the rocker switch mount. Drill a hole for the attenuator to pass through, use the retaining nut and washer to secure and slide on the knob of your choice.

INSTALLATION



...Find Out More About These Products
www.rockfordfosgate.com/products

Rockford Fosgate Arizona, USA



Made in China



©2015 Rockford Corporation. All Rights Reserved. ROCKFORD FOSGATE and associated logos where applicable are registered trademarks of Rockford Corporation in the United States and/or other countries. All other trademarks are the property of their respective owners. Specifications subject to change without notice.

1010-5665-04