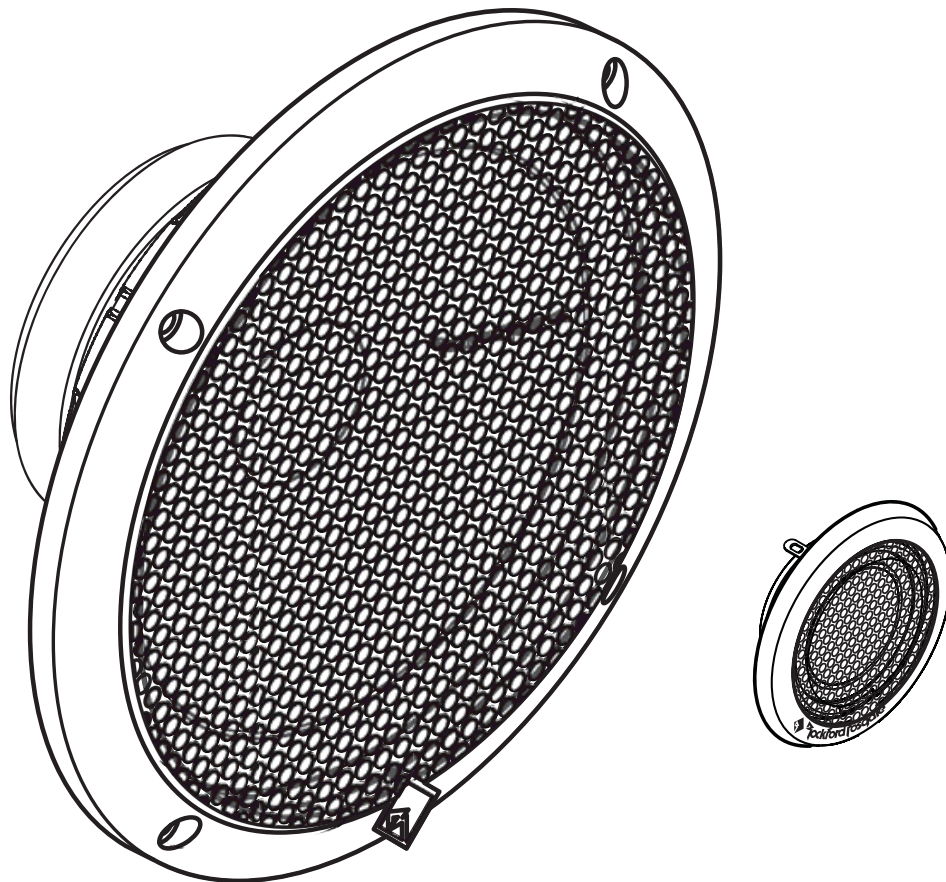




P R I M E™

Component Systems



5.25" - R152-S

6.5" - R1652-S

1" Tweeter System - R1T-S

Installation & Operation

Installation et fonctionnement

Instalación y funcionamiento

Einbau und Betrieb

Installazione e funzionamento

Serial Number: _____

Date of Purchase: _____

SAFETY

CAUTION: Before installation, disconnect the battery negative (-) terminal to prevent damage to the unit, fire and/or possible injury.

PRACTICE SAFE SOUND™

Continuous exposure to sound pressure levels over 100dB may cause permanent hearing loss. High powered auto sound systems may produce sound pressure levels well over 130dB. Use common sense and practice safe sound.

CARTON CONTENTS

- (1) Set R1 Series Speakers with Tweeters or R1-T-S Tweeter Kit
- (1) Set of grilles/trim rings
- Mounting Hardware and Tweeter Surface/Angle and Flush Mounts

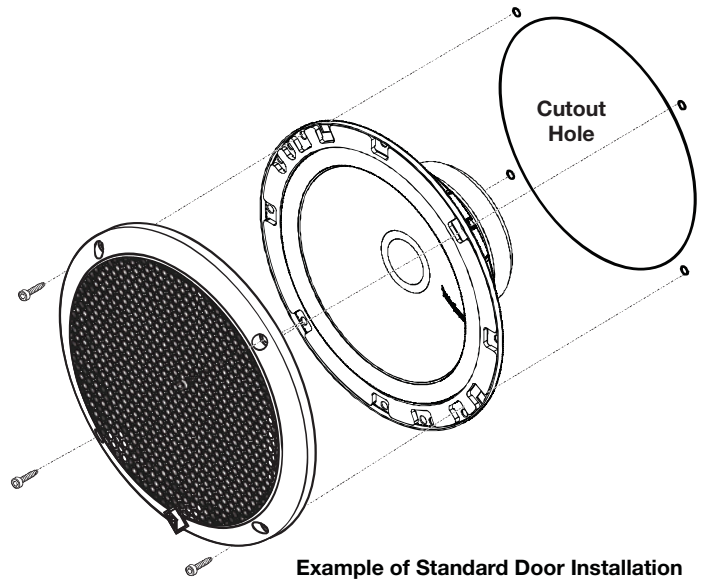
INSTALLATION CONSIDERATIONS

Before beginning any installation, follow these simple rules:

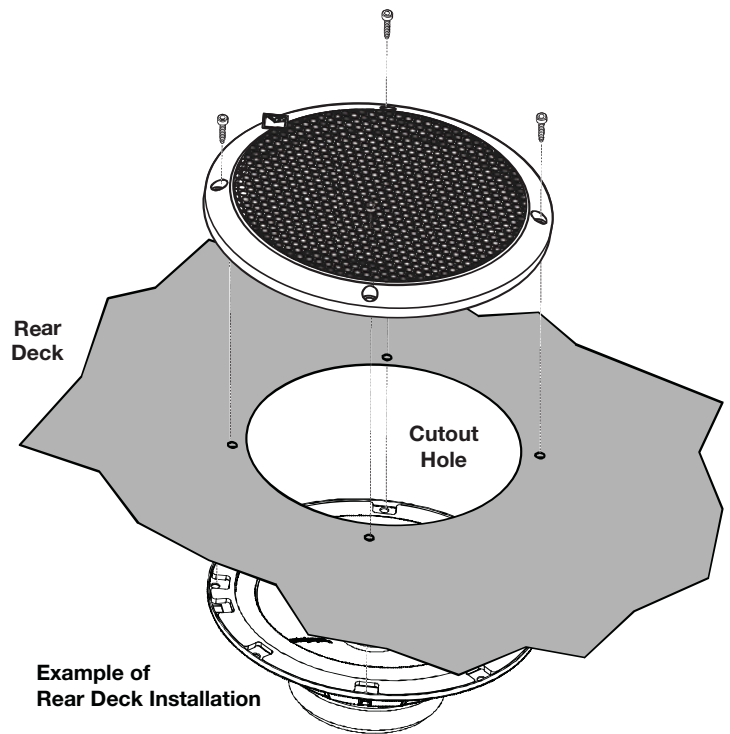
1. Be sure to carefully read and understand the instructions before attempting to install these speakers.
2. For safety, disconnect the negative lead from the battery prior to beginning the installation.
3. For easier assembly, we suggest you run all wires prior to mounting your speakers in place.
4. Use high quality connectors for a reliable installation and to minimize signal or power loss.
5. **Think before you drill!** Be careful not to cut or drill into gas tanks, fuel lines, brake or hydraulic lines, vacuum lines or electrical wiring when working on any vehicle. If installation in a boat, take care not to cut or drill through the main hull.
6. Never run wires underneath the vehicle. Running the wires inside the vehicle or hull area provides the best protection.
7. Avoid running wires over or through sharp edges. Use rubber or plastic grommets to protect any wires routed through metal, especially the firewall.

MOUNTING

1. Determine where the speakers will be mounted. Ensure an area large enough for the speaker to mount evenly. Be sure that the mounting location is deep enough for the speaker to fit; if mounting in a door, operate all functions (windows, locks, etc.) through their entire operating range to ensure there is no obstruction.
2. Refer to the specification chart to determine the proper diameter hole to cut for your speaker model. The template provided also gives the proper cutout size.
3. Mark the locations for the mounting screws. Drill the holes with a 1/8" bit.
4. Feed the speaker wires through the cutout and connect to the speaker terminals. Be sure to observe proper polarity when connecting the wires. The speaker's positive terminal is indicated with a "+".
5. Tighten the screws until the speaker is snug in place to prevent rattling. Do not over tighten the screws.



Example of Standard Door Installation



Example of Rear Deck Installation

FEATURES

Built-In Tweeter Crossover

For the R152 S and R1652 S, a HP (High Pass) crossover is integrated into the tweeter housing. This crossover allows for easy connection of the full component system. Just jump wires from the secondary terminals on the mid range/woofer to the tweeter terminals, see diagram below.



NOTE:

The tweeter has an integrated 6dB/octave HP crossover. The mid-range/woofer has natural roll-off characteristics exhibit great acoustic crossover filtering.

SPECIFICATIONS

PRIME Components	R152-S	R1652-S	R1T-S
Nominal Diameter - inch (mm)	5.25 (133)	6.5 (165)	1.0 (25)
Description	2-Way Component	2-Way Component	Tweeter Kit
Nominal Impedance (ohms)	4Ω	4Ω	4Ω
Frequency Response (Hz)	58Hz-20kHz	55Hz-20kHz	2.5kHz-22kHz
Crossover Frequency (Hz)	12kHz	12kHz	12kHz
6dB/octave Butterworth Crossover	HP (High Pass)	HP (High Pass)	HP (High Pass)
Voice Coil Diameter - inch (mm)	1.04 (26.5)	1.04 (26.5)	0.55 (13.9)
Fs - Free Air Resonance (Hz)	72Hz	59Hz	2.6kHz
Qts	0.94	0.70	-
Vas - cu. ft. (Liter)	0.22 (5.8)	0.61 (15.5)	-
Xmax - inch (mm)	0.07 (1.7)	0.20 (5.2)	-
SPL (dB @ 1w/1m)	85dB	89dB	72.5dB
Power Handling-Watts (RMS / MAX)	40W / 80W	40W / 80W	40W / 80W
Mounting Diameter-inch (mm)	4.76 (121)	5.71 (145)	1.83 (46) (Flush Mount)
Mounting Depth-inch (mm)	1.91 (48)	2.17 (55)	0.76 (19) (Flush Mount)
Includes Grille/Trim Ring	YES	YES	YES
Grille/Trim Ring Diameter-inch (mm)	6.10 (154.6)	7.01 (178)	2.13 (54)
Grille/Trim Ring Height-inch (mm)	0.70 (17)	0.67 (17)	0.29 (7)

See figures on following pages.

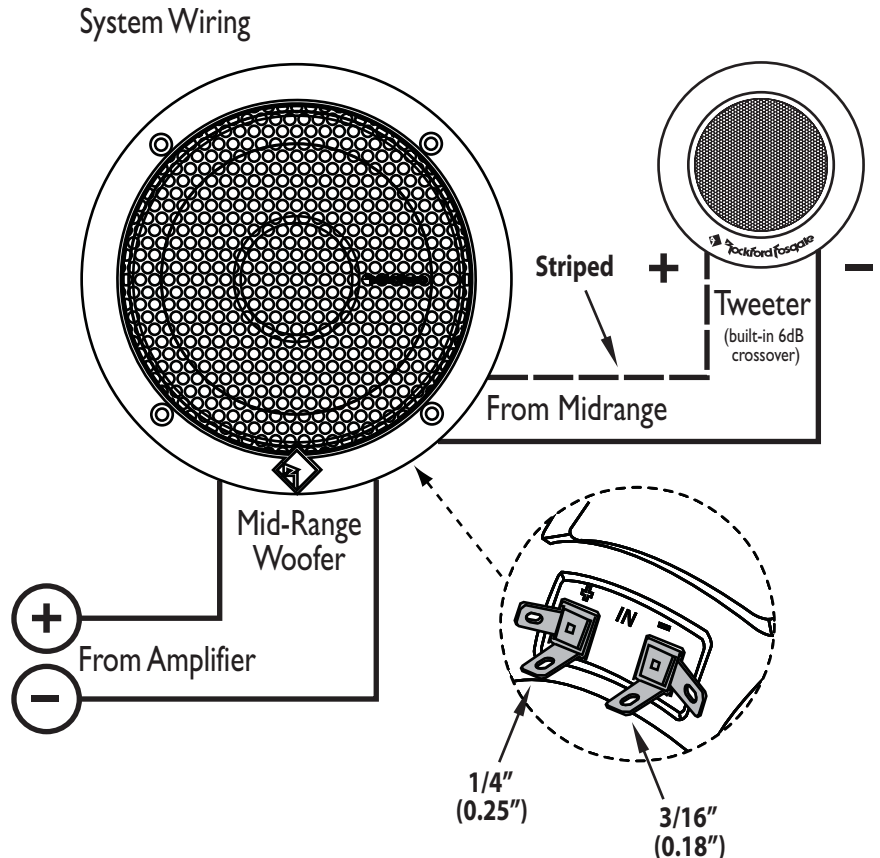
Specifications subject to change without notice.

WIRING

1. Use illustration for proper connection.
2. Be sure to maintain speaker polarity.
3. Connect primary tabs on Mid-Range/Woofer to Amplifier.
4. Connect secondary tabs on Mid-Range/Woofer to Tweeter.

NOTE:

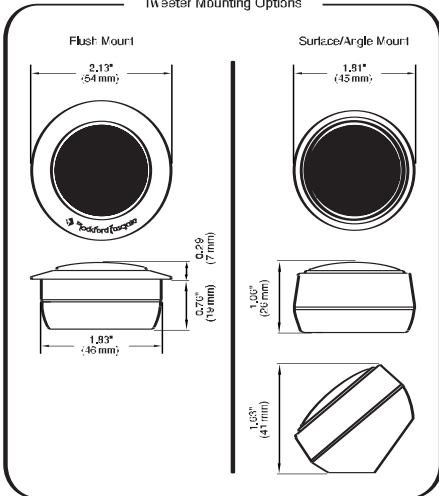
The tweeter has an integrated 6dB/octave HP crossover. The mid-range/woofer has natural roll-off characteristics exhibit great acoustic crossover filtering.



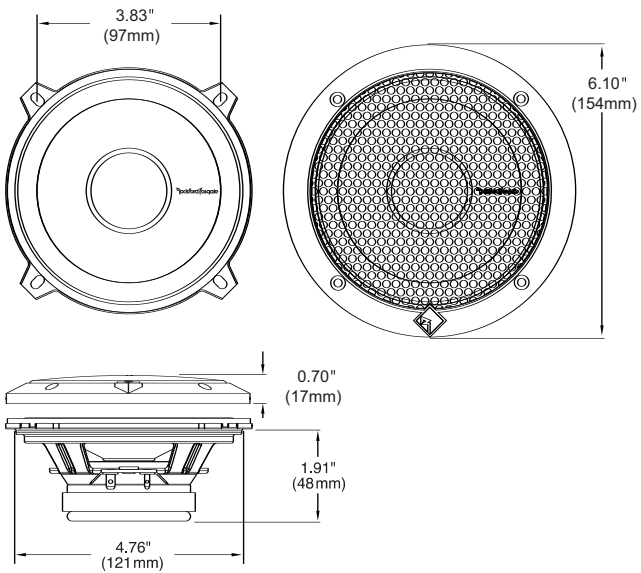
SPECIFICATIONS

R1T-S

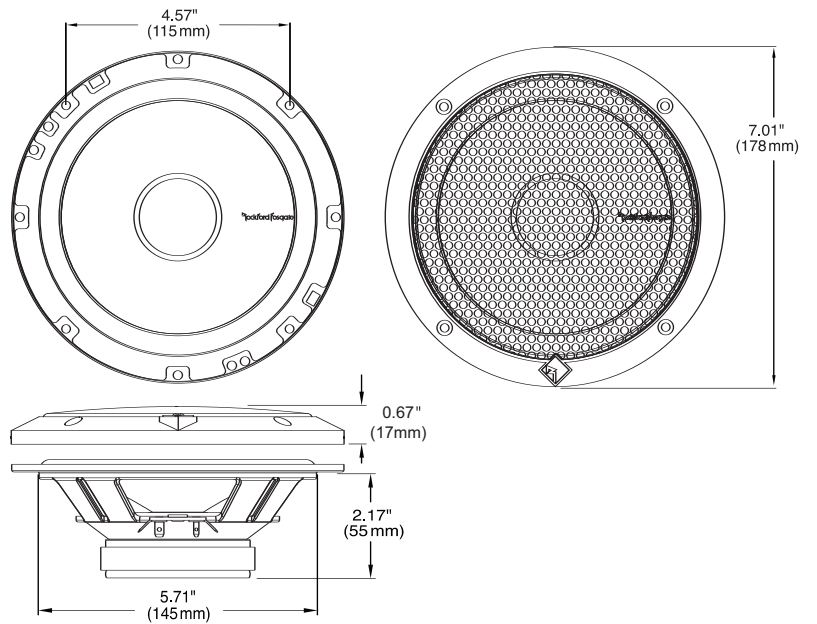
Tweeter Mounting Options



R152-S

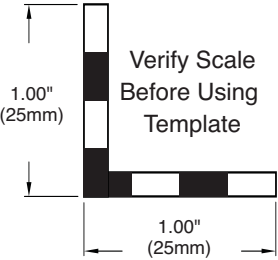
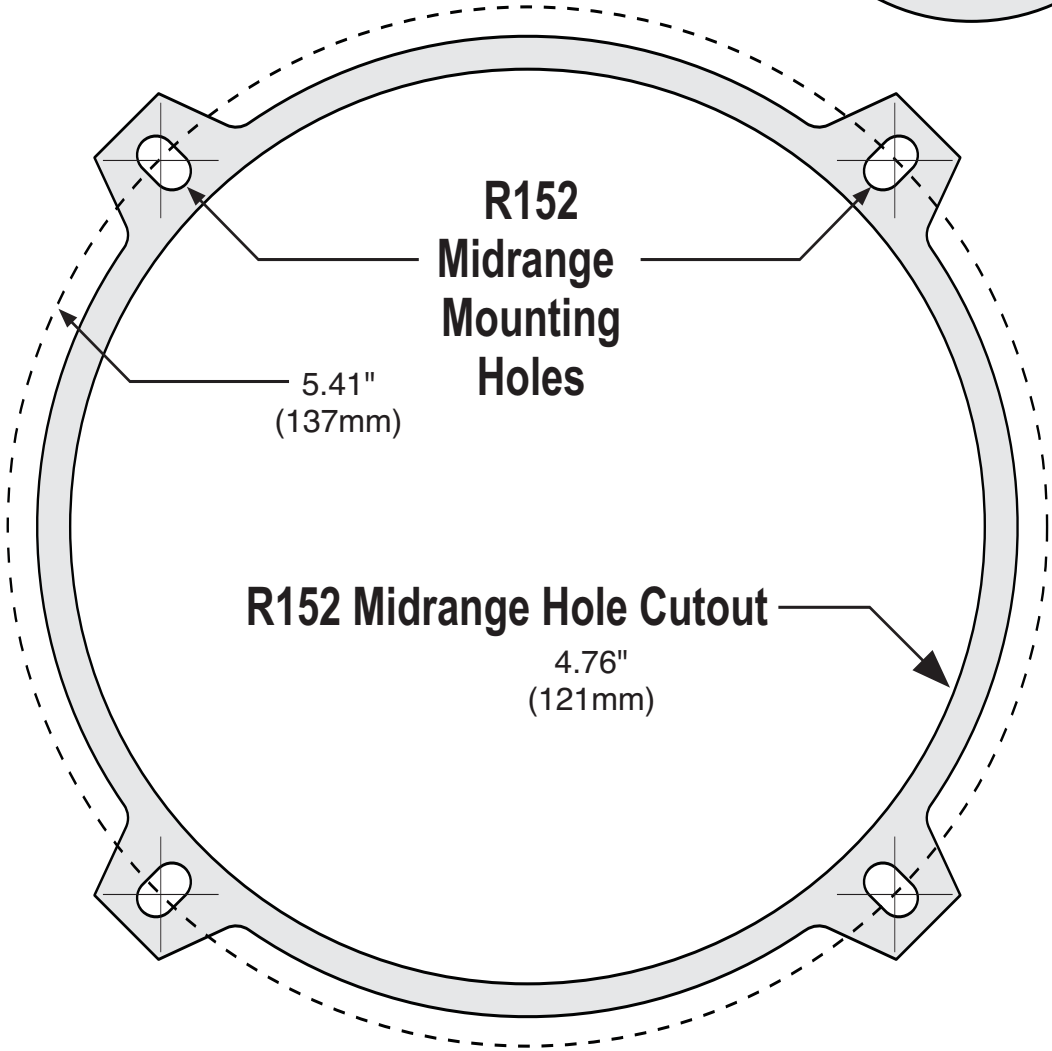
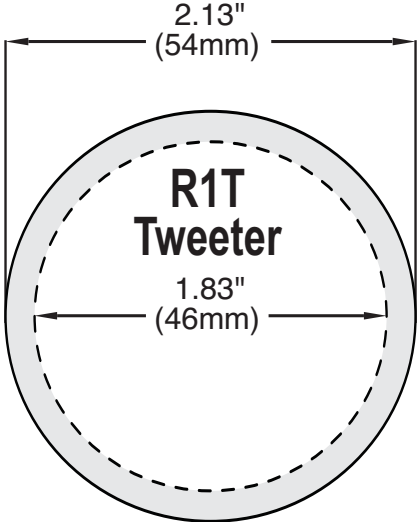


R1652-S

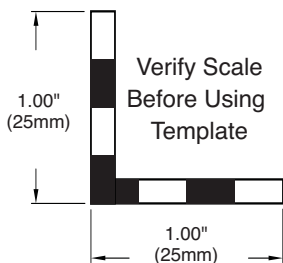
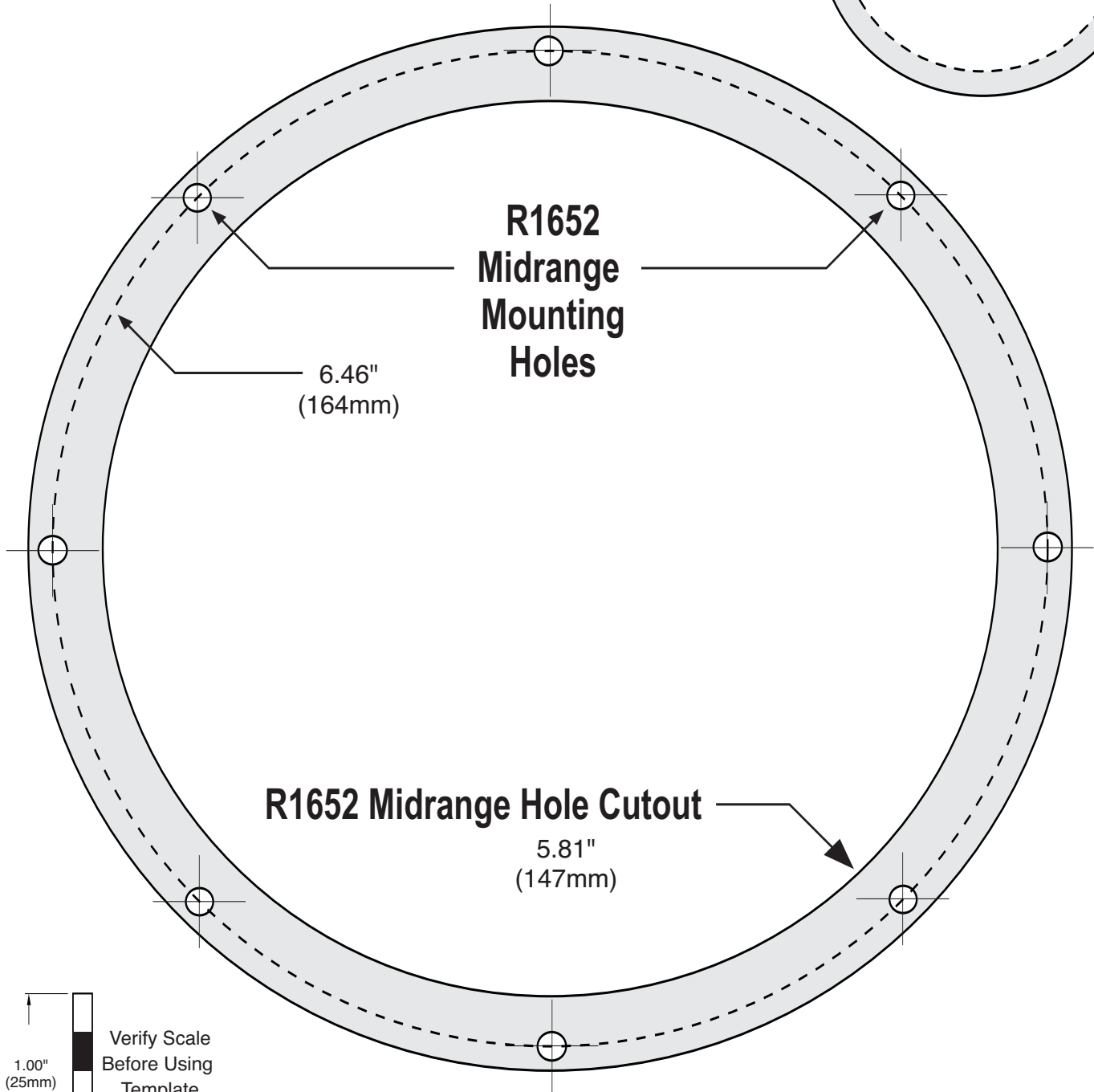
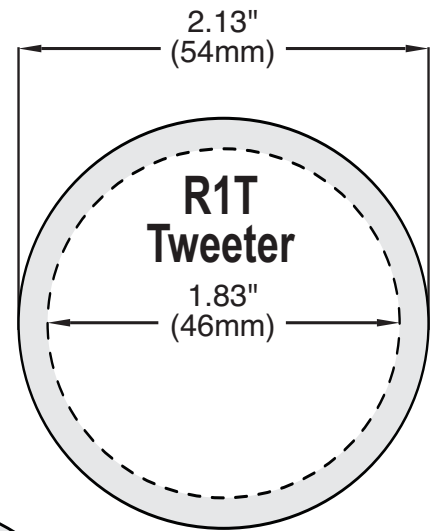


Specifications subject to change without notice.

R152-S Component System



R1652-S Component System



LIMITED WARRANTY STATEMENT

Rockford Corporation offers a limited warranty on Rockford Fosgate products on the following terms:

Length of Warranty

Speakers – 1 Year (receipt required)

What is Covered

This warranty applies only to Rockford Fosgate products sold to consumers by Authorized Rockford Fosgate Dealers in the United States of America or its possessions. Product purchased by consumers from an Authorized Rockford Fosgate Dealer in another country are covered only by that country's Distributor and not by Rockford Corporation.

Who is Covered

This warranty covers only the original purchaser of Rockford product purchased from an Authorized Rockford Fosgate Dealer in the United States. In order to receive service, the purchaser must provide Rockford with a copy of the receipt stating the customer name, dealer name, product purchased and date of purchase. Products found to be defective during the warranty period will be repaired or replaced (with a product deemed to be equivalent) at Rockford's discretion.

What is Not Covered

1. Damage caused by accident, abuse, improper operations, water, theft, shipping
2. Any cost or expense related to the removal or reinstallation of product
3. Service performed by anyone other than Rockford or an Authorized Rockford Fosgate Service Center
4. Any product which has had the serial number defaced, altered, or removed
5. Subsequent damage to other components
6. Any product purchased outside the U.S.
7. Any product not purchased from an Authorized Rockford Fosgate Dealer

Limit on Implied Warranties

Any implied warranties including warranties of fitness for use and merchantability are limited in duration to the period of the express warranty set forth above. Some states do not allow limitations on the length of an implied warranty, so this limitation may not apply. No person is authorized to assume for Rockford Fosgate any other liability in connection with the sale of the product.

How to Obtain Service

Contact the Authorized Rockford Fosgate Dealer you purchased this product from. If you need further assistance, call 1-800-669-9899 for Rockford Customer Service. You must obtain an **RA# (Return Authorization number)** to return any product to Rockford Fosgate. You are responsible for shipment of product to Rockford.

EU Warranty

This product meets the current EU warranty requirements, see your Authorized dealer for details.



Rockford Fosgate
Rockford Corporation
600 South Rockford Drive
Tempe, Arizona 85281 U.S.A.
In U.S.A., (480) 967-3565
Customer Service 1-800-669-9899



www.rockfordfosgate.com

©2010 Rockford Corporation. All rights reserved.
Rockford Fosgate and the Rockford Fosgate logo are either registered trademarks or trademarks of Rockford Corporation.



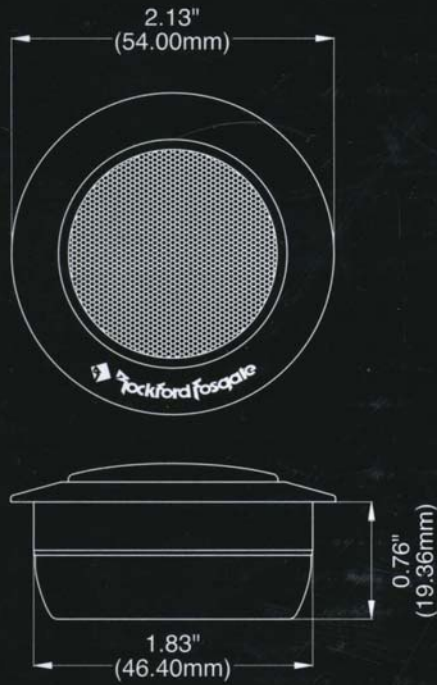
PRIME™

F U L L R A N G E

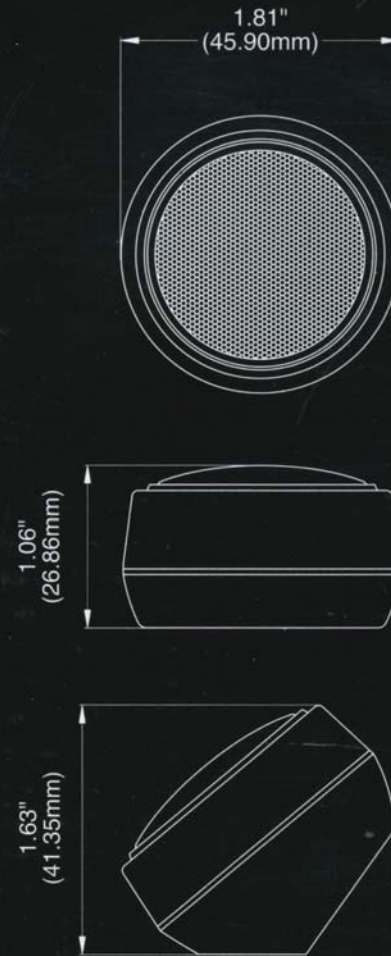
GAMME COMPLÈTE | GAMA COMPLETA | VOLLE STRECKE | COMPLETO GAMMA

Tweeter Mounting Options

Flush Mount



Surface/Angle Mount



R1T-S



Made in China

1315-56049-01

R1T-S
 RF Prime 0.5" 4ohm tweeter
 Mfg Date 07/18/16 UPC:7 80687 32996 9
 U.Code: PR Qty: 1

1006723093-21

©2009 RF-09-09-007



PRIME[™]
 R1T-S



SPECIFICATIONS

- Tweeter system
- .5" balanced dome mylar tweeter
- 40 watts RMS
80 watts Peak
- Mounting hardware included

CARACTERISTIQUES

- Système de tweeter
- Tweeter mylar de dôme équilibré de 1.27 cm
- 40 watts RMS
80 watts crête
- Matériel de montage inclus

ESPECIFICACIONES

- Sistema del altavoz de agudos
- Altavoz de agudos mylar de la bóveda equilibrada del 1.27cm
- 40 vatios RMS
80 vatios de pico
- Se incluye los herrajes de montaje

TECHNISCHE DATEN

- Tweeter system
- 1.27 cm ausgeglichene Haube mylar Tweeter
- 40 W RMS
80 W Höchstleistung
- Befestigungszubehör liegen bei

SPECIFICHE

- Sistema tweeter
- Tweeter mylar della cupola equilibrata del 1.27 cm
- 40 watt RMS
80 watt picco
- Include eferramenta per il montaggio



R1T-S



Made in China

1315-56049-01

R1T-S

RF Prime 0.5" 4 ohm tweeter
Mfg Date 07/18/16 UPC:7 80687 32996 9
U.Code: PR Qty: 1



1006723093-21

©2009 RF-09-09-007