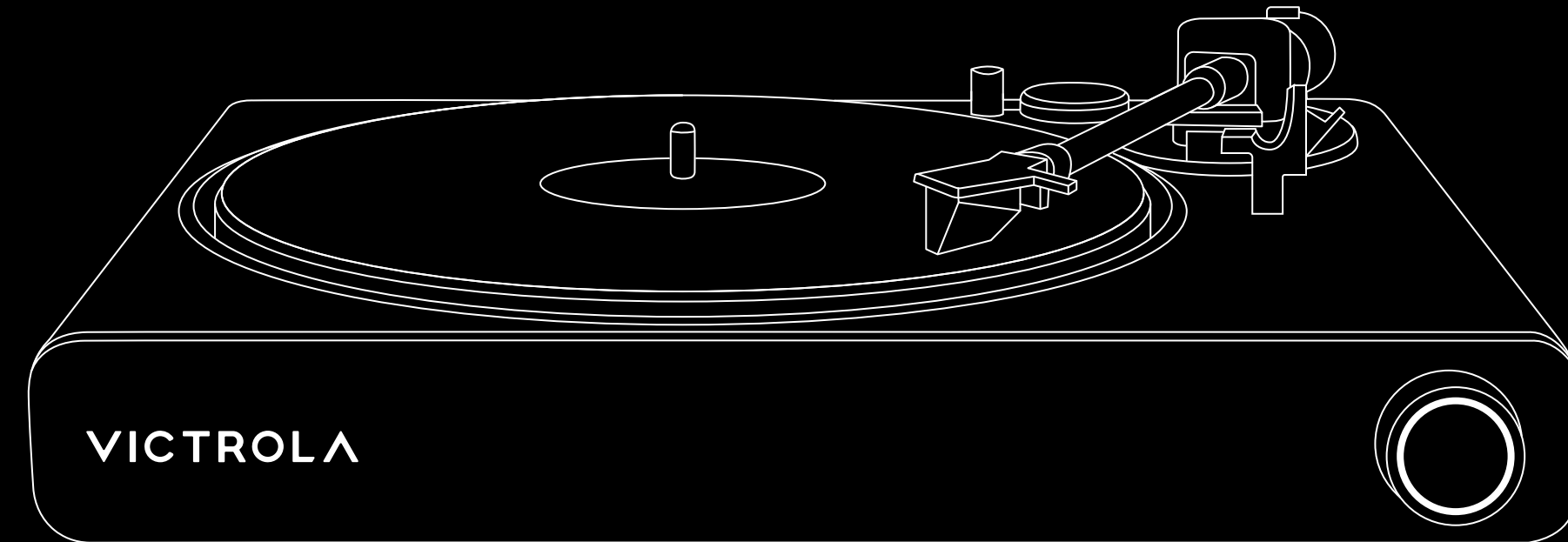




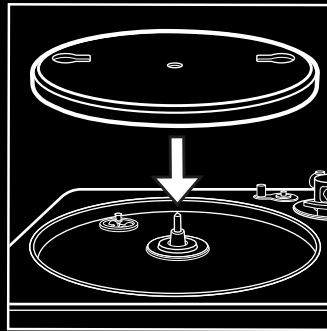
VICTROLA
Stream

QUICK START
GUIDE

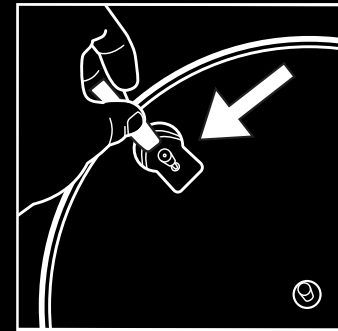


1

SETUP YOUR TURNTABLE

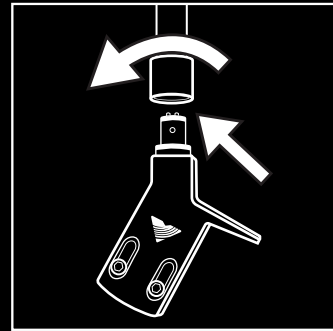


PLACE THE PLATTER ONTO THE TURNTABLE.

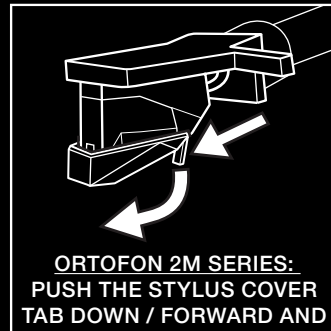


CAREFULLY REMOVE THE TAPED GUIDE STRING AND PULL THE BELT OVER THE MOTOR PIN. DISCARD THE GUIDE STRING.

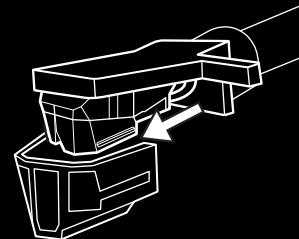
PLACE THE SLIPMAT ON THE PLATTER.



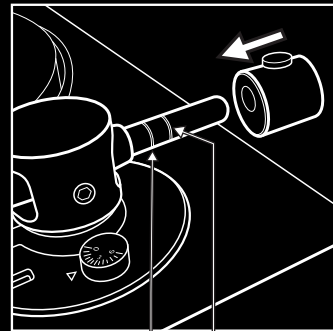
INSERT THE HEADSHELL INTO THE TONEARM AND TIGHTEN THE TONEARM COLLAR COUNTER-CLOCKWISE UNTIL HEADSHELL IS SECURE.



ORTOFON 2M SERIES: PUSH THE STYLUS COVER TAB DOWN / FORWARD AND GENTLY SLIDE THE COVER OFF.



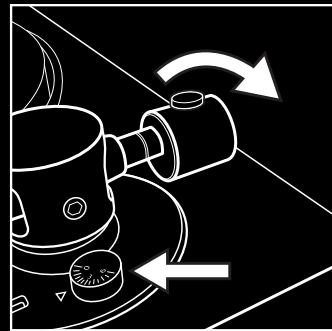
AUDIO TECHNICA VM95: GENTLY SLIDE THE COVER OFF OF THE CARTRIDGE.



IDENTIFY YOUR CARTRIDGE. SLIDE THE COUNTERWEIGHT ONTO THE TONEARM UNTIL IT IS ALIGNED TO THE PROPER GROOVE.

ORTOFON 2M SERIES COUNTERWEIGHT SLIDES TO THE FIRST GROOVE.

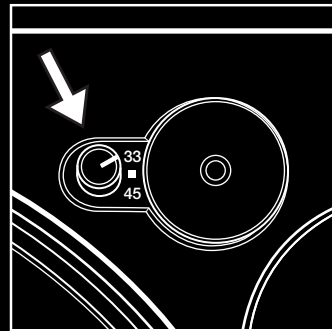
AUDIO TECHNICA VM95 SERIES COUNTERWEIGHT SLIDES TO THE SECOND GROOVE.



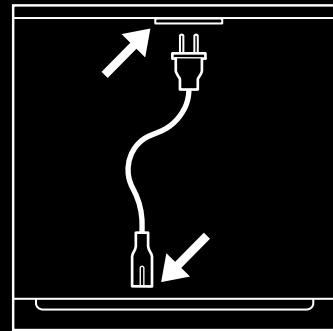
ONCE ALIGNED WITH THE CORRECT GROOVE, TURN THE TOP SCREW CLOCKWISE TO TIGHTEN THE COUNTERWEIGHT.

SET THE ANTI-SKATE KNOB WITHIN THE RECOMMENDED RANGE: 1.5-2.0

note: you may need to adjust the anti-skate if you notice distortion, skipping, or looping during playback.



USE THE SPEED SELECTOR KNOB TO SELECT YOUR RECORD SPEED.



PLUG THE POWER CORD INTO THE UNIT AND WALL OUTLET. THE TURNTABLE WILL AUTOMATICALLY BOOT UP. ONCE THE ILLUMINATED CONTROL KNOB BEGINS FLASHING GREEN, TURNTABLE IS READY TO CONNECT TO A NETWORK.

2

DOWNLOAD & CONNECT



DOWNLOAD THE VICTROLA STREAM APP AND FOLLOW THE STEPS WITHIN THE APP TO CONNECT YOUR TURNTABLE TO YOUR SONOS SYSTEM.

3

START STREAMING