



HOW TO USE THIS INSTALL GUIDE

- 1** Open the Bookmarks menu and find your vehicle OR scroll down until you find the install guide for your vehicle.
- 2** Print only the pages for your vehicle using the advanced options in the Print menu.
- 3** Install your Maestro RR according to the guide for your vehicle.

WARNING

Pressing the printer icon or “quick printing” this document will print all of the guides in this compilation.

RETAINS STEERING WHEEL CONTROLS, VEHICLE SETTINGS, AND MORE!



PRODUCTS REQUIRED

iDatalink Maestro RR or RR2 Radio Replacement Interface
iDatalink Maestro FOC1 Dash Kit

PROGRAMMED FIRMWARE

ADS-RR(SR)-FOR02-DS

ADDITIONAL RESOURCES

[Maestro RR2 Programmable Outputs Guide](#)

OPTIONAL ACCESSORIES

K40[™]
ELECTRONICS
ESCORT

Click here for:
[Radar Installation Guides](#)

WELCOME

Congratulations on the purchase of your iDatalink Maestro RR Radio replacement solution. You are now a few simple steps away from enjoying your new car radio with enhanced features.

Before starting your installation, please ensure that your iDatalink Maestro module is programmed with the correct firmware for your vehicle and that you carefully review the install guide.

Please note that Maestro RR will only retain functionalities that were originally available in the vehicle.

NEED HELP?

 1 866 427-2999

 maestro.support@idatalink.com

 maestro.idatalink.com/support
www.12voltdata.com/forum

TABLE OF CONTENTS

Installation Instructions	3
Wiring Diagram	6
Radio Wire Reference Chart	7
Troubleshooting Table	8

INSTALLATION INSTRUCTIONS

DASH DISASSEMBLY

1. Pry off center cap at the bottom of the factory radio bezel to expose two (2) screws. (Fig. 1.1)
2. Remove two (2) Torx T25 screws. (Fig. 1.2)
3. Starting at the bottom, pull the bezel forward. At the same time, use a panel removal tool to pry the bezel. (Fig. 1.3) Disconnect the connector at the back of the bezel and put it to the side.
4. Remove four (4) Torx T25 screws holding the screen frame, and two (2) Torx T25 holding the radio body. (Fig. 1.4)
5. Remove both the screen assembly and the radio body, disconnecting the plugs in the process. (Fig. 1.5)
6. Remove the vents from the factory bezel. (Fig. 1.6)

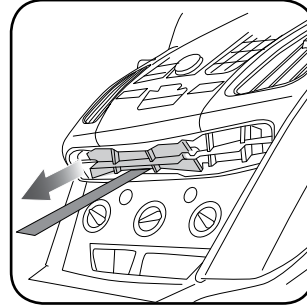


Fig. 1.1

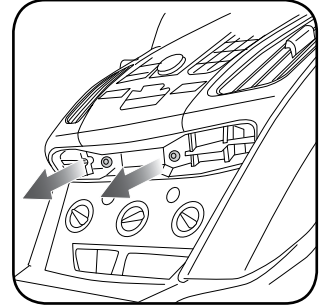


Fig. 1.2

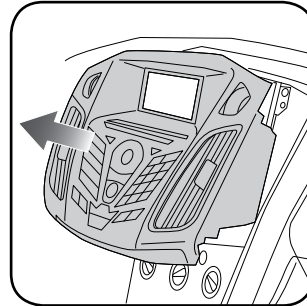


Fig. 1.3

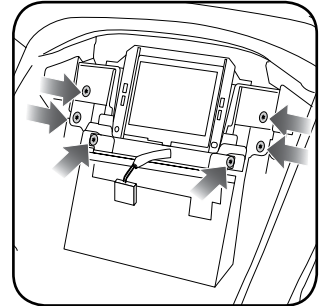


Fig. 1.4

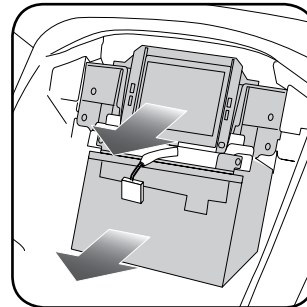


Fig. 1.5

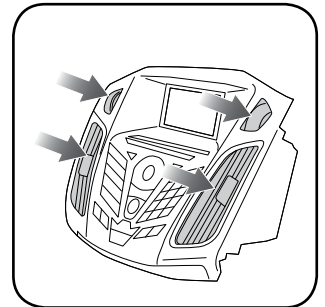


Fig. 1.6

INSTALLATION INSTRUCTIONS

DASH KIT ASSEMBLY

1. Attach the pocket of the FOC1 to the bezel using the four (4) provided screws. (Fig. 2.1)

NOTE: If the pocket sticks when opening or closing, you can adjust the fit by loosening the screws that secure the pocket by 1/4 turn until the pocket no longer sticks.

2. Install the combination hazard/lock switch into the FOC1 bezel (the other hazard switch is not used). (Fig. 2.2)

NOTE: If the hazard button squeaks when you press it, pop the hazard switch out of the kit and then re-install it. This should eliminate the noise.

3. Install the factory vents on the FOC1 kit. (Fig. 2.3)
4. Install the metal brackets on to the aftermarket radio. (Fig. 2.4)

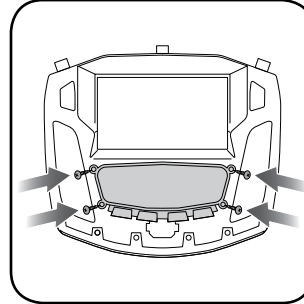


Fig. 2.1

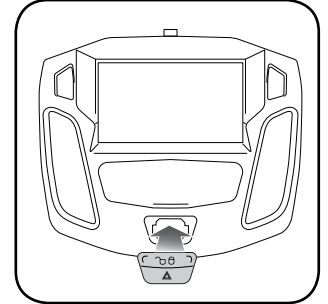


Fig. 2.2

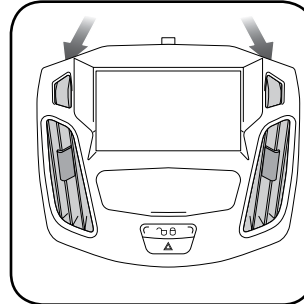


Fig. 2.3

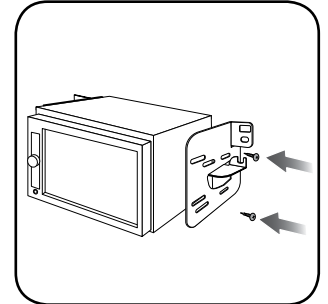


Fig. 2.4

INSTALLATION INSTRUCTIONS

MAKE CONNECTIONS (refer to wiring diagram)

1. Locate the aftermarket radio's main harness. Cut the WHITE, GRAY, GREEN and PURPLE RCA tips. Connect the wires from the aftermarket radio's main harness to the FOC1 t-harness and match the wire functions (refer to diagram).
2. Connect the FOC1 T-harness to the factory radio harness. Plug the backup camera cable into the factory harness (if applicable).
3. Plug the OBD2 connector into the OBD2 port of the vehicle, located under the driver side dash, and run the wires up to the radio cavity.
4. Connect all harnesses to the Maestro RR module.
5. Plug the aftermarket radio harnesses into the aftermarket radio. Plug the data cable to the data port of the aftermarket radio (port labeled iDatalink). Insert the audio cable into the iDatalink 3.5mm audio jack of the aftermarket radio (labeled iDatalink). If there is no iDatalink audio input, connect to AUX). Plug the backup camera RCA into the aftermarket radio (if applicable).

Note: When using a Pioneer radio, please ensure that there is nothing plugged into the W/R port of the radio.

6. Insert the radio into the dash and secure the metal brackets with (4) T25 screws. (Fig. 3.1)
7. Connect all the harnesses to the FOC1 kit, and secure it in the dash. Test your installation before completely re-assembling the bezel to the vehicle. (Fig. 3.2)

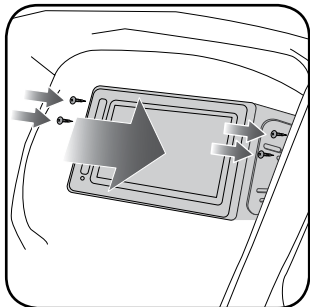


Fig. 3.1

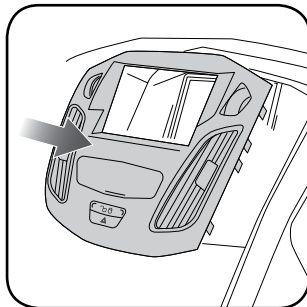
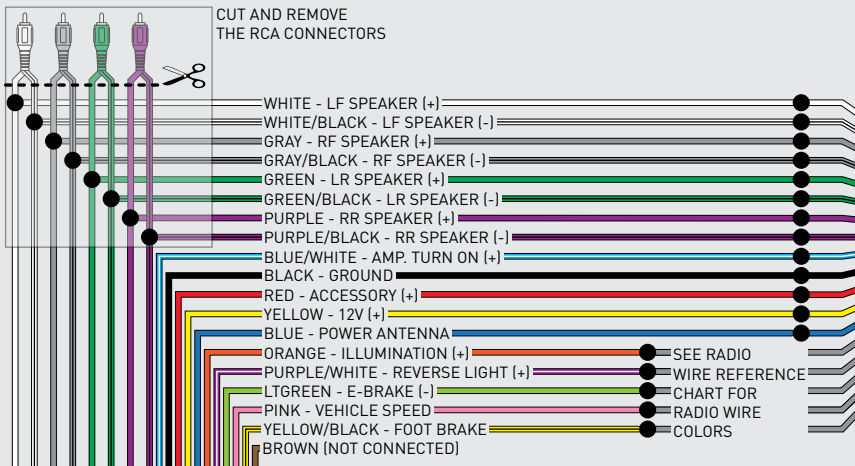


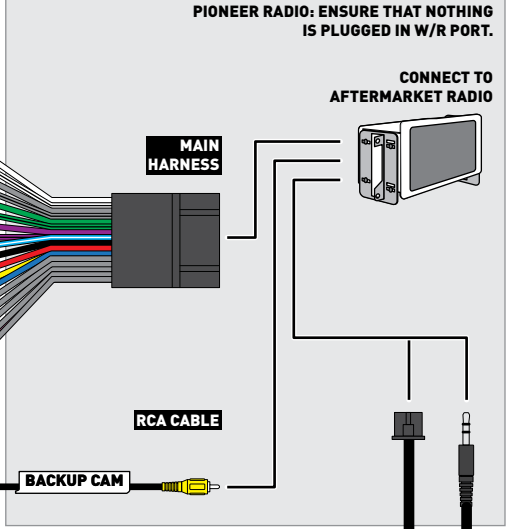
Fig. 3.2

WIRING DIAGRAM

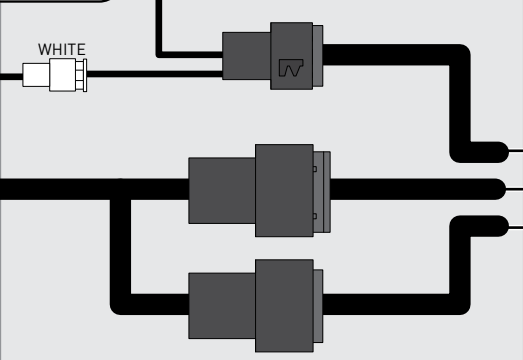
STEP 1



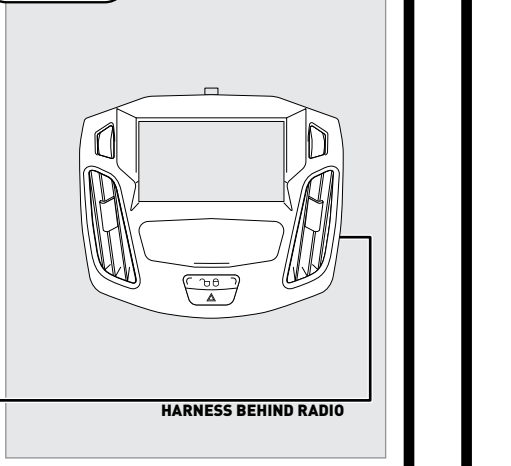
STEP 5



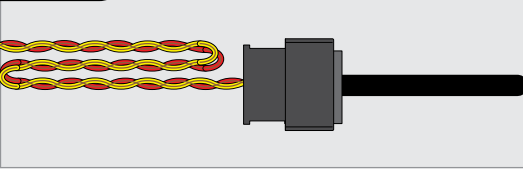
STEP 2



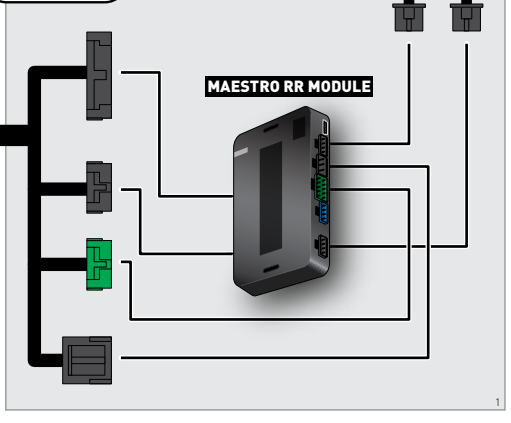
STEP 7



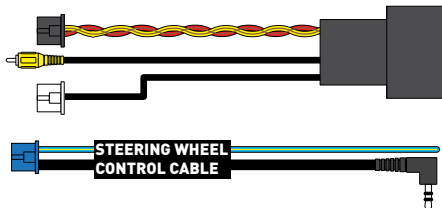
STEP 3



STEP 4



CONNECTION NOT REQUIRED



RADIO WIRE REFERENCE CHART

Wire Description	Polarity	Wire Color on Maestro T-Harness	Wire Color on Alpine cable	Wire Color on Kenwood cable	Wire Color on Pioneer cable	Wire Color on Sony cable
Illumination	(+)	Orange	N/A	Orange/White	Orange/White	Orange
Reverse Light	(+)	Purple/White	Orange/White	Purple/White	Purple/White	Purple/White
E-Brake	(-)	Lt Green	Yellow/Blue	Lt Green	Lt Green	Lt Green
Foot Brake	(+)	Yellow/Black	Yellow/Black	N/A	N/A	N/A
VSS (vehicle speed sensor)	(DATA)	Pink	Green/White	Pink	Pink	N/A

TROUBLESHOOTING TABLE

PROBLEM	SOLUTION
Gauges do not work, radio shows OBD2 Error 1 or Error 2.	<p>Ensure the BROWN/RED and BROWN/YELLOW wires are connected to the OBDII (NOT the red/brown and yellow/brown wires).</p> <p>Check connections at the OBDII connector. Make sure the BROWN/RED wire is on PIN 6 and the BROWN/YELLOW wire is connected to PIN 14 of the OBDII connector. Do not use T-Taps. Soldering or military splicing methods are recommended.</p> <p>Reset the RR.</p>
The light on the Maestro is blinking RED TWICE .	<p>Ensure the 4-pin data cable is connected between the radio and the RR, and that it is plugged into the black port on the Maestro RR. The red and blue ports on the RR should be empty.</p> <p>Make sure the correct radio model and serial number were entered during the flash. Verify the radio's serial number entered during the flash matches what is listed on the radio screen. This can be found in the settings of the radio, listed as Device Id, Device Number, or Serial Number.</p>
The light on the Maestro is flashing RED ONCE .	There is no firmware on the module; flash the RR module.

MAESTRO RR RESET PROCEDURE:

Turn the key to the OFF position, then disconnect all connectors from the module.
 Press and hold the module's programming button and connect all the connectors back to the module. Wait, the module's LED will flash RED rapidly (this may take up to 10 seconds).
 Release the programming button. Wait, the LED will turn solid GREEN for 2 seconds to show the reset was successful.

TECHNICAL ASSISTANCE

Phone: 1-866-427-2999
 Email: maestro.support@idatalink.com
 Web: maestro.idatalink.com/support add www.12voltdata.com/forum/

IMPORTANT: To ensure proper operation, the aftermarket radio needs to have the latest firmware from the manufacturer. Please visit the radio manufacturer's website and look for any updates pertaining to your radio.

RETAINS STEERING WHEEL CONTROLS, VEHICLE SETTINGS, AND MORE!



PRODUCTS REQUIRED

iDatalink Maestro RR or RR2 Radio Replacement Interface
iDatalink Maestro FOC1 Dash Kit

PROGRAMMED FIRMWARE

ADS-RR(SR)-FOR02-DS

ADDITIONAL RESOURCES

[Maestro RR2 Programmable Outputs Guide](#)

OPTIONAL ACCESSORIES

K40[™]
ELECTRONICS
ESCORT

Click here for:
[Radar Installation Guides](#)

WELCOME

Congratulations on the purchase of your iDatalink Maestro RR Radio replacement solution. You are now a few simple steps away from enjoying your new car radio with enhanced features.

Before starting your installation, please ensure that your iDatalink Maestro module is programmed with the correct firmware for your vehicle and that you carefully review the install guide.

Please note that Maestro RR will only retain functionalities that were originally available in the vehicle.

NEED HELP?

 1 866 427-2999

 maestro.support@idatalink.com

 maestro.idatalink.com/support
www.12voltdata.com/forum

TABLE OF CONTENTS

Installation Instructions	3
Wiring Diagram	6
Radio Wire Reference Chart	7
Troubleshooting Table	8

INSTALLATION INSTRUCTIONS

DASH DISASSEMBLY

1. Unclip and remove the trim panel at the bottom of the factory bezel (this panel contains the airbag light). (Fig. 1.1)
2. Remove the trim around the shifter console by prying it up and unclipping it. (Fig. 1.2)
3. Remove three (3) phillips screws holding the shifter surround and climate controls. (Fig. 1.3)
4. Remove two (2) Torx T25 screws at the bottom of the bezel. (Fig. 1.4)
5. Starting at the bottom, pull the bezel forward and use a panel removal tool to release the bezel from the dash. (Fig. 1.5)
6. Remove four (4) Torx T25 screws holding the screen frame, and two (2) Torx T25 holding the radio body. (Fig. 1.6)
7. Remove both the screen assembly and the radio body, disconnecting the plugs in the process. (Fig. 1.7)
8. Remove the vents from the factory bezel. (Fig. 1.8)

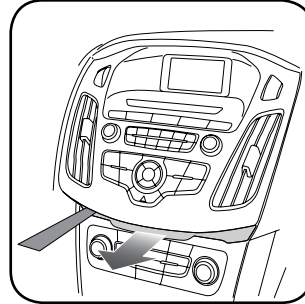


Fig. 1.1

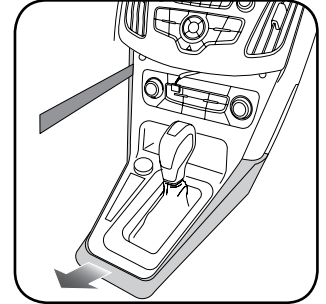


Fig. 1.2

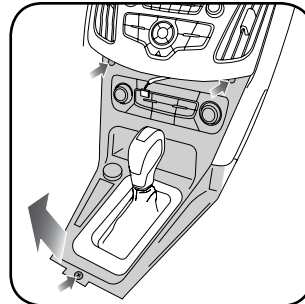


Fig. 1.3

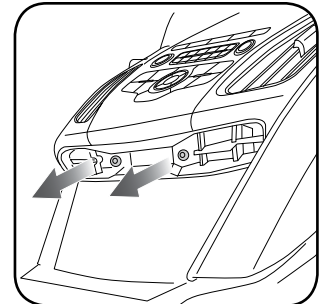


Fig. 1.4

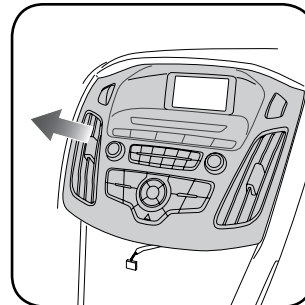


Fig. 1.5

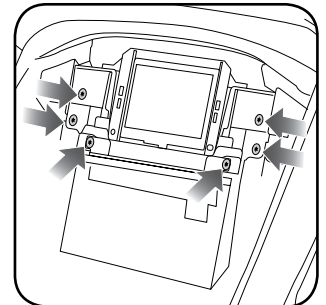


Fig. 1.6

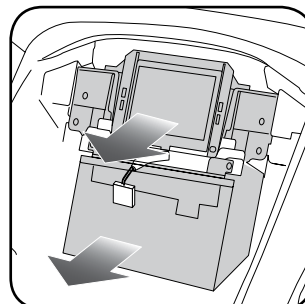


Fig. 1.7



Fig. 1.8

INSTALLATION INSTRUCTIONS

DASH KIT ASSEMBLY

1. Attach the pocket of the FOC1 to the bezel using the four (4) provided screws. (Fig. 2.1)

NOTE: If the pocket sticks when opening or closing, you can adjust the fit by loosening the screws that secure the pocket by 1/4 turn until the pocket no longer sticks.

2. Remove the bezel that is attached to the bottom of the FOC1. Using the screws provided, attach the bottom bezel trim that matches the factory bezel. (Fig. 2.2)

3. Install the hazard switch into the FOC1 bezel (the other hazard/lock switch is not used). (Fig. 2.3)

NOTE: If the hazard button squeaks when you press it, pop the hazard switch out of the kit and then re-install it. This should eliminate the noise.

4. Install the factory vents on the FOC1 kit. (Fig. 2.4)

5. Install the metal brackets on to the aftermarket radio. (Fig. 2.5)

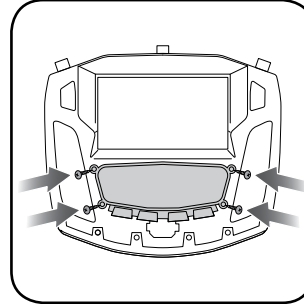


Fig. 2.1

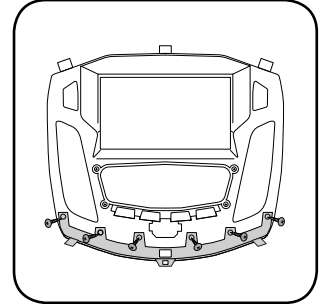


Fig. 2.2

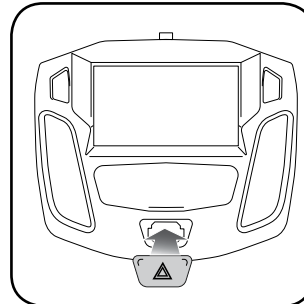


Fig. 2.3

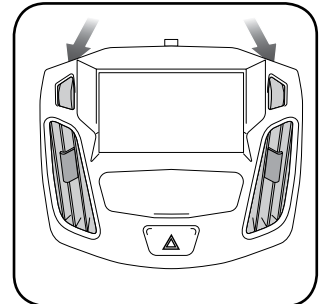


Fig. 2.4

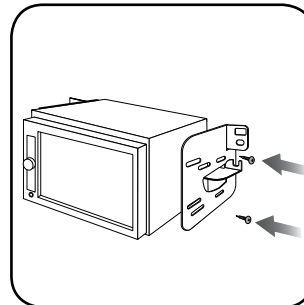


Fig. 2.5

INSTALLATION INSTRUCTIONS

MAKE CONNECTIONS (refer to wiring diagram)

1. Locate the aftermarket radio's main harness. Cut the WHITE, GRAY, GREEN and PURPLE RCA tips. Connect the wires from the aftermarket radio's main harness to the FOC1 t-harness and match the wire functions (refer to diagram).
2. Connect the FOC1 T-harness to the factory radio harness. Plug the backup camera cable into the factory harness (if applicable).
3. Plug the OBD2 connector into the OBD2 port of the vehicle, located under the driver side dash, and run the wires up to the radio cavity.
4. Connect all harnesses to the Maestro RR module.
5. Plug the aftermarket radio harnesses into the aftermarket radio. Plug the data cable to the data port of the aftermarket radio (port labeled iDatalink). Insert the audio cable into the iDatalink 3.5mm audio jack of the aftermarket radio (labeled iDatalink). If there is no iDatalink audio input, connect to AUX). Plug the backup camera RCA into the aftermarket radio (if applicable).

Note: When using a Pioneer radio, please ensure that there is nothing plugged into the W/R port of the radio.

6. Insert the radio into the dash and secure the metal brackets with (4) T25 screws. (Fig. 3.1)
7. Connect all the harnesses to the FOC1 kit, and secure it in the dash. Test your installation before completely re-assembling the bezel to the vehicle. (Fig. 3.2)

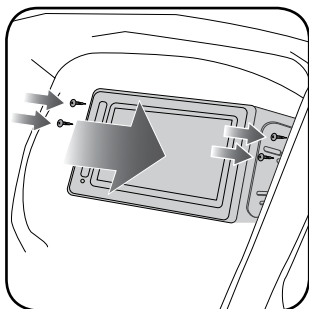


Fig. 3.1

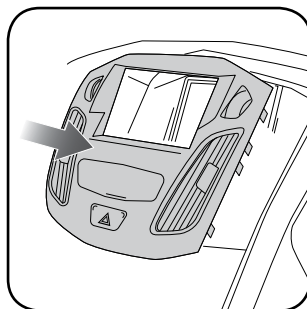
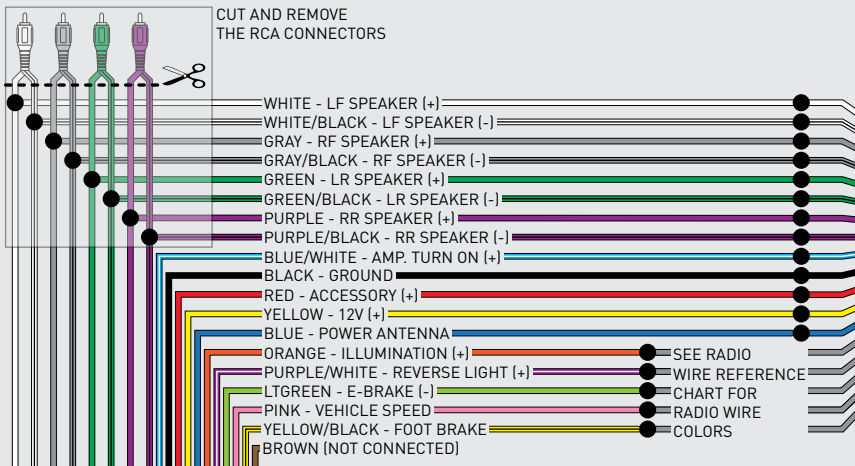


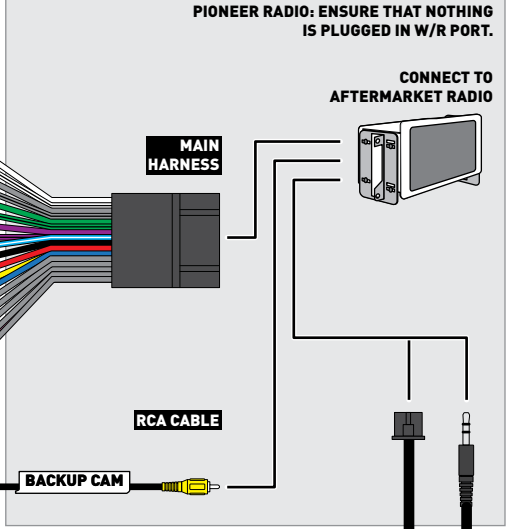
Fig. 3.2

WIRING DIAGRAM

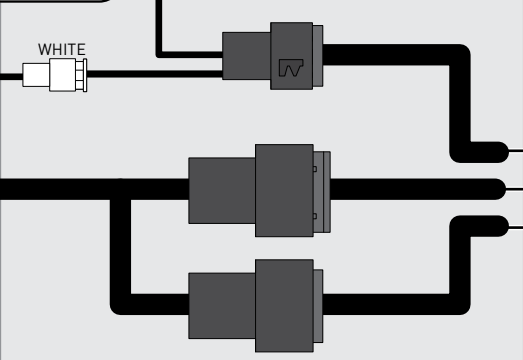
STEP 1



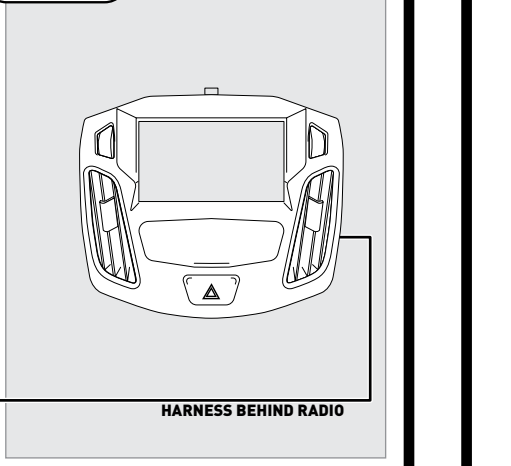
STEP 5



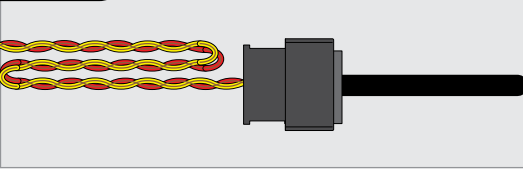
STEP 2



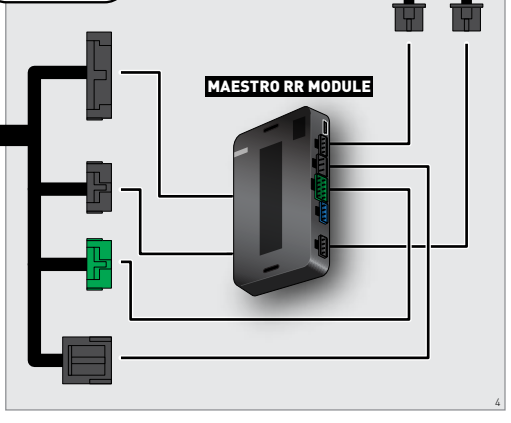
STEP 7



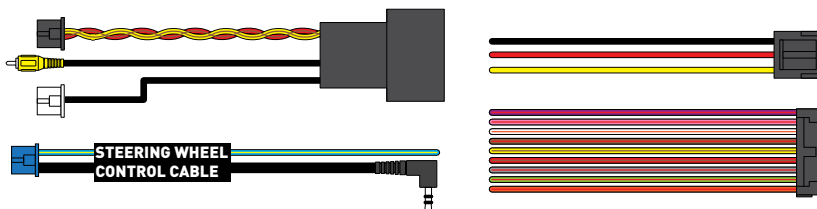
STEP 3



STEP 4



CONNECTION NOT REQUIRED



RADIO WIRE REFERENCE CHART

Wire Description	Polarity	Wire Color on Maestro T-Harness	Wire Color on Alpine cable	Wire Color on Kenwood cable	Wire Color on Pioneer cable	Wire Color on Sony cable
Illumination	(+)	Orange	N/A	Orange/White	Orange/White	Orange
Reverse Light	(+)	Purple/White	Orange/White	Purple/White	Purple/White	Purple/White
E-Brake	(-)	Lt Green	Yellow/Blue	Lt Green	Lt Green	Lt Green
Foot Brake	(+)	Yellow/Black	Yellow/Black	N/A	N/A	N/A
VSS (vehicle speed sensor)	(DATA)	Pink	Green/White	Pink	Pink	N/A

TROUBLESHOOTING TABLE

PROBLEM	SOLUTION
Gauges do not work, radio shows OBD2 Error 1 or Error 2.	<p>Ensure the BROWN/RED and BROWN/YELLOW wires are connected to the OBDII (NOT the red/brown and yellow/brown wires).</p> <p>Check connections at the OBDII connector. Make sure the BROWN/RED wire is on PIN 6 and the BROWN/YELLOW wire is connected to PIN 14 of the OBDII connector. Do not use T-Taps. Soldering or military splicing methods are recommended.</p> <p>Reset the RR.</p>
The light on the Maestro is blinking RED TWICE .	<p>Ensure the 4-pin data cable is connected between the radio and the RR, and that it is plugged into the black port on the Maestro RR. The red and blue ports on the RR should be empty.</p> <p>Make sure the correct radio model and serial number were entered during the flash. Verify the radio's serial number entered during the flash matches what is listed on the radio screen. This can be found in the settings of the radio, listed as Device Id, Device Number, or Serial Number.</p>
The light on the Maestro is flashing RED ONCE .	There is no firmware on the module; flash the RR module.

MAESTRO RR RESET PROCEDURE:

Turn the key to the OFF position, then disconnect all connectors from the module.

Press and hold the module's programming button and connect all the connectors back to the module. Wait, the module's LED will flash RED rapidly (this may take up to 10 seconds).

Release the programming button. Wait, the LED will turn solid GREEN for 2 seconds to show the reset was successful.

TECHNICAL ASSISTANCE

Phone: 1-866-427-2999

Email: maestro.support@idatalink.com

Web: maestro.idatalink.com/support add www.12voldata.com/forum/

IMPORTANT: To ensure proper operation, the aftermarket radio needs to have the latest firmware from the manufacturer. Please visit the radio manufacturer's website and look for any updates pertaining to your radio.

2012-2014
FORD FOCUS
WITH 8" MYFORD TOUCH SCREEN AND BASE AUDIO SYSTEM

RETAINS STEERING WHEEL CONTROLS, VEHICLE SETTINGS, AND MORE!



PRODUCTS REQUIRED

iDataLink Maestro RR or RR2 Radio Replacement Interface
iDataLink Maestro FOC1 Dash Kit

PROGRAMMED FIRMWARE

ADS-RR(SR)-FOR02-DS

ADDITIONAL RESOURCES

[Maestro RR2 Programmable Outputs Guide](#)

OPTIONAL ACCESSORIES

K40[™]
ELECTRONICS
ESCORT

Click here for:
[Radar Installation Guides](#)

WELCOME

Congratulations on the purchase of your iDatalink Maestro RR Radio replacement solution. You are now a few simple steps away from enjoying your new car radio with enhanced features.

Before starting your installation, please ensure that your iDatalink Maestro module is programmed with the correct firmware for your vehicle and that you carefully review the install guide.

Please note that Maestro RR will only retain functionalities that were originally available in the vehicle.

NEED HELP?

 1 866 427-2999

 maestro.support@idatalink.com

 maestro.idatalink.com/support
www.12voltdata.com/forum

TABLE OF CONTENTS

Installation Instructions	3
Wiring Diagram	6
Radio Wire Reference Chart	7
Troubleshooting Table	8

INSTALLATION INSTRUCTIONS

DASH DISASSEMBLY

1. Pry off center cap at the bottom of the factory radio bezel to expose two (2) screws. (Fig. 1.1)
2. Remove two (2) Torx T25 screws. (Fig. 1.2)
3. Starting at the bottom, pull the bezel forward. At the same time, use a panel removal tool to pry the bezel. (Fig. 1.3) Disconnect the connector at the back of the bezel and put it to the side.
4. Remove four (4) Torx T25 screws holding the screen frame, and two (2) Torx T25 holding the radio body. (Fig. 1.4)
5. Remove both the screen assembly and the radio body, disconnecting the plugs in the process. (Fig. 1.5)
6. Remove the vents from the factory bezel. (Fig. 1.6)

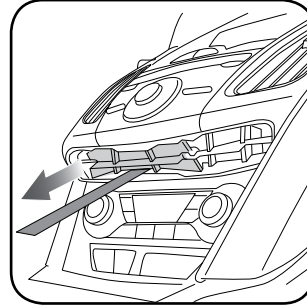


Fig. 1.1

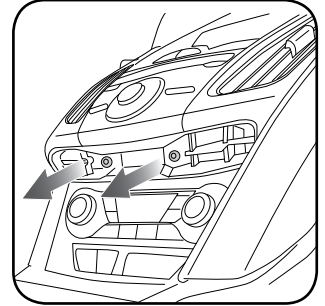


Fig. 1.2

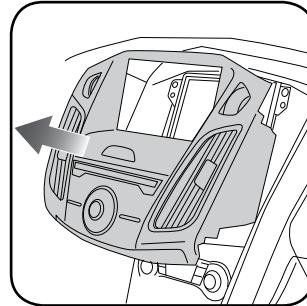


Fig. 1.3

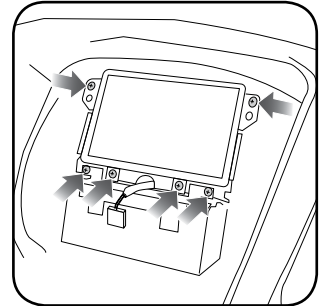


Fig. 1.4

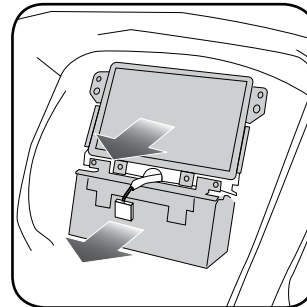


Fig. 1.5

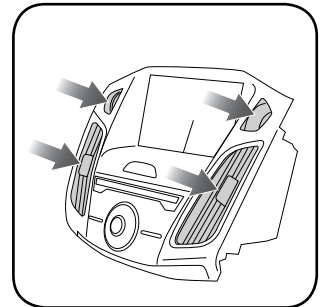


Fig. 1.6

INSTALLATION INSTRUCTIONS

DASH KIT ASSEMBLY

1. Attach the pocket of the FOC1 to the bezel using the four (4) provided screws. (Fig. 2.1)

NOTE: If the pocket sticks when opening or closing, you can adjust the fit by loosening the screws that secure the pocket by 1/4 turn until the pocket no longer sticks.

2. Install the combination hazard/lock switch into the FOC1 bezel (the other hazard switch is not used). (Fig. 2.2)

NOTE: If the hazard button squeaks when you press it, pop the hazard switch out of the kit and then re-install it. This should eliminate the noise.

3. Install the factory vents on the FOC1 kit. (Fig. 2.3)
4. Install the metal brackets on to the aftermarket radio. (Fig. 2.4)

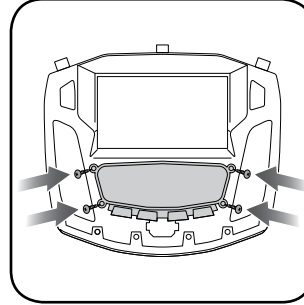


Fig. 2.1

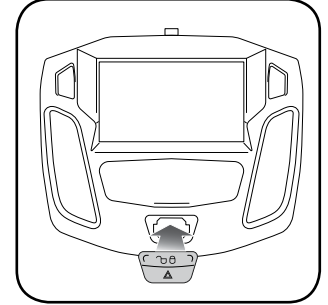


Fig. 2.2

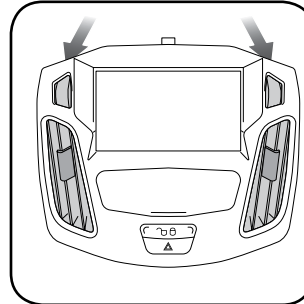


Fig. 2.3

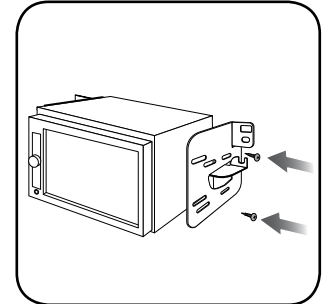


Fig. 2.4

INSTALLATION INSTRUCTIONS

MAKE CONNECTIONS (refer to wiring diagram)

1. Locate the aftermarket radio's main harness. Cut the WHITE, GRAY, GREEN and PURPLE RCA tips. Connect the wires from the aftermarket radio's main harness to the FOC1 t-harness and match the wire functions (refer to diagram).
2. Connect the FOC1 T-harness to the factory radio harness. Plug the backup camera cable into the factory harness (if applicable).
3. Connect all harnesses to the Maestro RR module.
4. Plug the aftermarket radio harnesses into the aftermarket radio. Plug the data cable to the data port of the aftermarket radio (port labeled iDatalink). Insert the audio cable into the iDatalink 3.5mm audio jack of the aftermarket radio (labeled iDatalink). If there is no iDatalink audio input, connect to AUX). Plug the backup camera RCA into the aftermarket radio (if applicable).
5. Insert the radio into the dash and secure the metal brackets with (4) T25 screws. (Fig. 3.1)

Note: When using a Pioneer radio, please ensure that there is nothing plugged into the W/R port of the radio.

6. Connect all the harnesses to the FOC1 kit, and secure it in the dash. Test your installation before completely re-assembling the bezel to the vehicle. (Fig. 3.2)

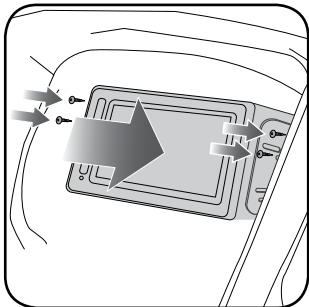


Fig. 3.1

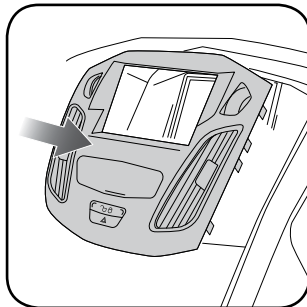
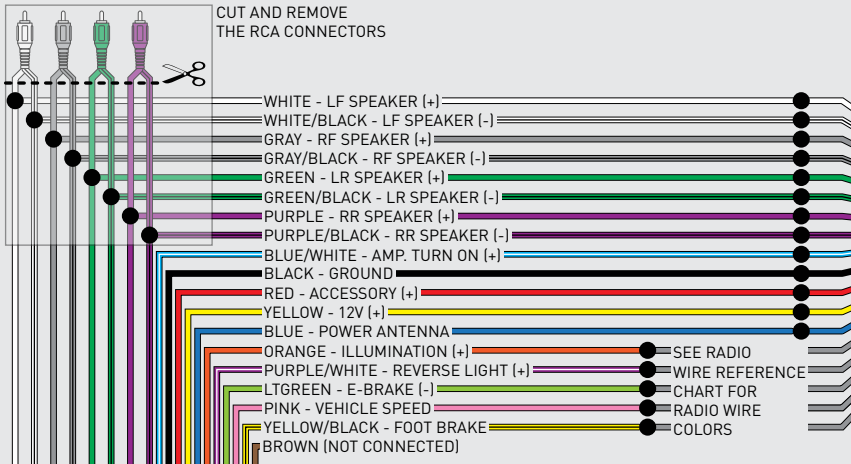


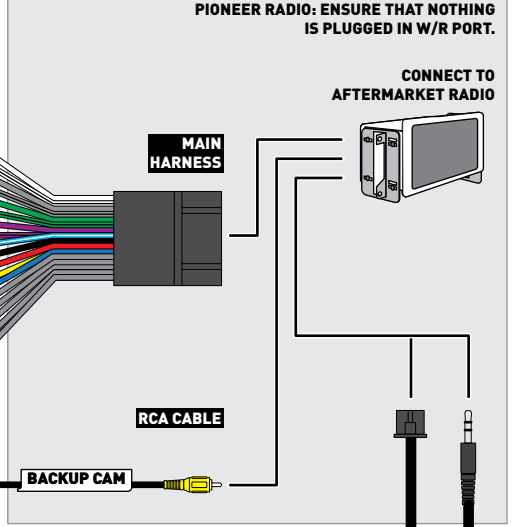
Fig. 3.2

WIRING DIAGRAM

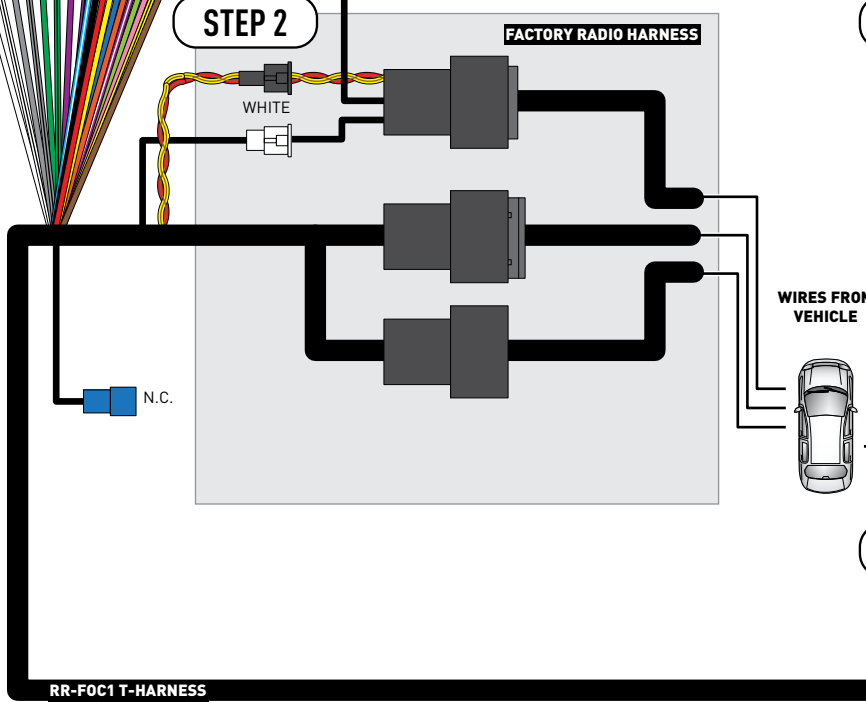
STEP 1



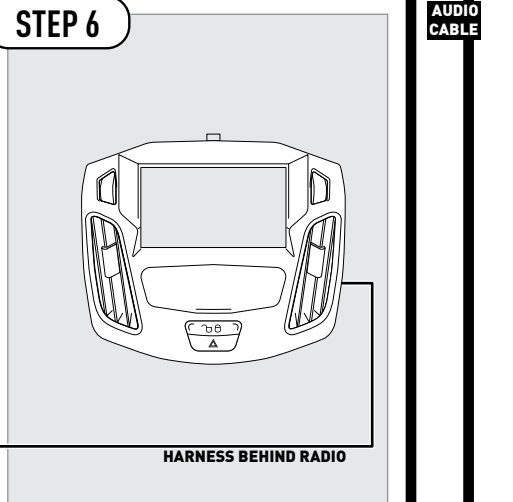
STEP 4



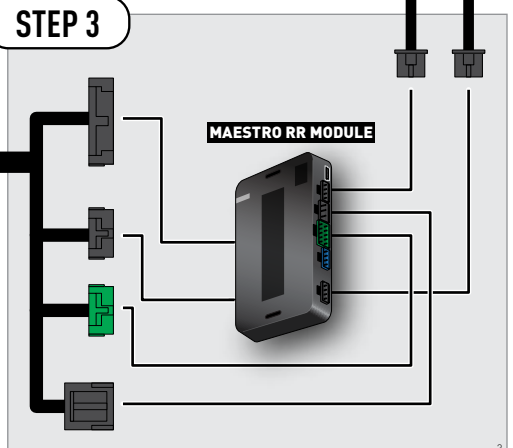
STEP 2



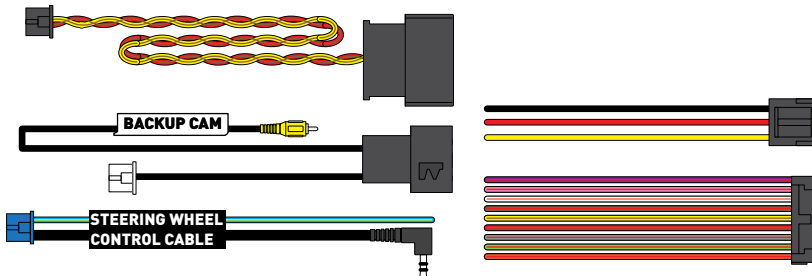
STEP 6



STEP 3



CONNECTION NOT REQUIRED



RADIO WIRE REFERENCE CHART

Wire Description	Polarity	Wire Color on Maestro T-Harness	Wire Color on Alpine cable	Wire Color on Kenwood cable	Wire Color on Pioneer cable	Wire Color on Sony cable
Illumination	(+)	Orange	N/A	Orange/White	Orange/White	Orange
Reverse Light	(+)	Purple/White	Orange/White	Purple/White	Purple/White	Purple/White
E-Brake	(-)	Lt Green	Yellow/Blue	Lt Green	Lt Green	Lt Green
Foot Brake	(+)	Yellow/Black	Yellow/Black	N/A	N/A	N/A
VSS (vehicle speed sensor)	(DATA)	Pink	Green/White	Pink	Pink	N/A

TROUBLESHOOTING TABLE

PROBLEM	SOLUTION
Gauges do not work, radio shows OBD2 Error 1 or Error 2.	<p>Ensure the BROWN/RED and BROWN/YELLOW wires are connected to the OBDII (NOT the red/brown and yellow/brown wires).</p> <p>Check connections at the OBDII connector. Make sure the BROWN/RED wire is on PIN 6 and the BROWN/YELLOW wire is connected to PIN 14 of the OBDII connector. Do not use T-Taps. Soldering or military splicing methods are recommended.</p> <p>Reset the RR.</p>
The light on the Maestro is blinking RED TWICE .	<p>Ensure the 4-pin data cable is connected between the radio and the RR, and that it is plugged into the black port on the Maestro RR. The red and blue ports on the RR should be empty.</p> <p>Make sure the correct radio model and serial number were entered during the flash. Verify the radio's serial number entered during the flash matches what is listed on the radio screen. This can be found in the settings of the radio, listed as Device Id, Device Number, or Serial Number.</p>
The light on the Maestro is flashing RED ONCE .	There is no firmware on the module; flash the RR module.

MAESTRO RR RESET PROCEDURE:

Turn the key to the OFF position, then disconnect all connectors from the module.
 Press and hold the module's programming button and connect all the connectors back to the module. Wait, the module's LED will flash RED rapidly (this may take up to 10 seconds).
 Release the programming button. Wait, the LED will turn solid GREEN for 2 seconds to show the reset was successful.

TECHNICAL ASSISTANCE

Phone: 1-866-427-2999
 Email: maestro.support@idatalink.com
 Web: maestro.idatalink.com/support add www.12voldata.com/forum/

IMPORTANT: To ensure proper operation, the aftermarket radio needs to have the latest firmware from the manufacturer. Please visit the radio manufacturer's website and look for any updates pertaining to your radio.

2015-2018

FORD FOCUS

WITH 8" MYFORD TOUCH SCREEN AND BASE AUDIO SYSTEM

RETAINS STEERING WHEEL CONTROLS, VEHICLE SETTINGS, AND MORE!



PRODUCTS REQUIRED

iDatalink Maestro RR or RR2 Radio Replacement Interface
iDatalink Maestro FOC1 Dash Kit

PROGRAMMED FIRMWARE

ADS-RR(SR)-FOR02-DS

ADDITIONAL RESOURCES

[Maestro RR2 Programmable Outputs Guide](#)

OPTIONAL ACCESSORIES

K40[™]
ELECTRONICS
ESCORT

Click here for:
[Radar Installation Guides](#)

WELCOME

Congratulations on the purchase of your iDatalink Maestro RR Radio replacement solution. You are now a few simple steps away from enjoying your new car radio with enhanced features.

Before starting your installation, please ensure that your iDatalink Maestro module is programmed with the correct firmware for your vehicle and that you carefully review the install guide.

Please note that Maestro RR will only retain functionalities that were originally available in the vehicle.

NEED HELP?

 1 866 427-2999

 maestro.support@idatalink.com

 maestro.idatalink.com/support
www.12voltdata.com/forum

TABLE OF CONTENTS

Installation Instructions	3
Wiring Diagram	6
Radio Wire Reference Chart	7
Troubleshooting Table	8

INSTALLATION INSTRUCTIONS

DASH DISASSEMBLY

1. Unclip and remove the trim panel at the bottom of the factory bezel (this panel contains the airbag light). (Fig. 1.1)
2. Remove the trim around the shifter console by prying it up and unclipping it. (Fig. 1.2)
3. Remove three (3) phillips screws holding the shifter surround and climate controls. (Fig. 1.3)
4. Remove two (2) Torx T25 screws at the bottom of the bezel. (Fig. 1.4)
5. Starting at the bottom, pull the bezel forward and use a panel removal tool to release the bezel from the dash. Disconnect the plug on the back of the bezel and put it to the side. (Fig. 1.5)
6. Remove four (4) Torx T25 screws holding the screen frame, and two (2) Torx T25 holding the radio body. (Fig. 1.6)
7. Remove both the screen assembly and the radio body, disconnecting the plugs in the process. Remove the screws holding the screen frame in place and remove the screen frame. (Fig. 1.7)
8. Remove the vents from the factory bezel. (Fig. 1.8)

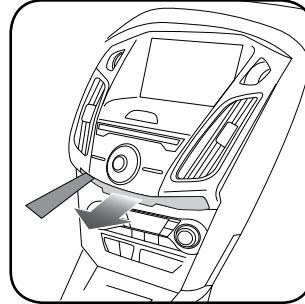


Fig. 1.1

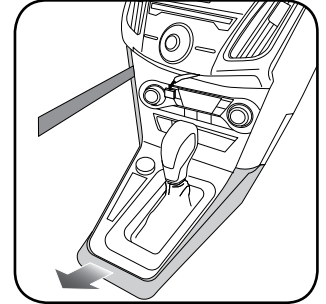


Fig. 1.2

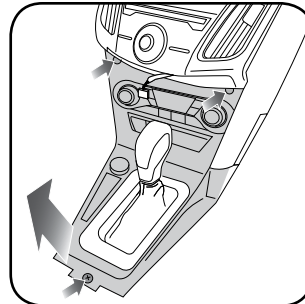


Fig. 1.3

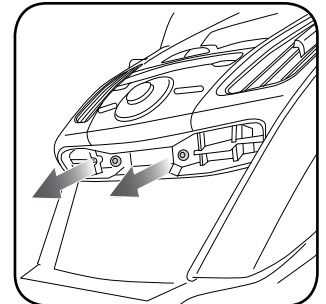


Fig. 1.4

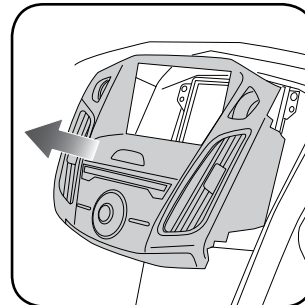


Fig. 1.5

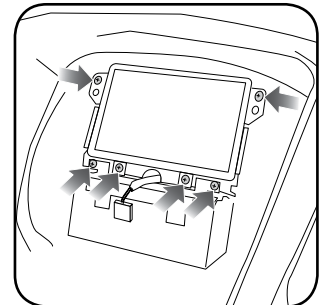


Fig. 1.6

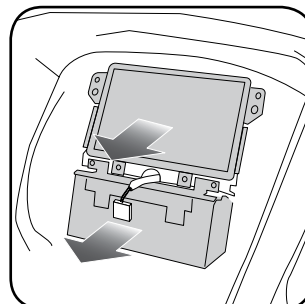


Fig. 1.7

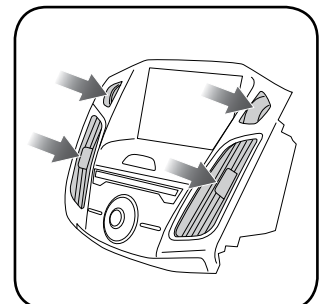


Fig. 1.8

INSTALLATION INSTRUCTIONS

DASH KIT ASSEMBLY

1. Attach the pocket of the FOC1 to the bezel using the four (4) provided screws. (Fig. 2.1)

NOTE: If the pocket sticks when opening or closing, you can adjust the fit by loosening the screws that secure the pocket by 1/4 turn until the pocket no longer sticks.

2. Remove the bezel that is attached to the bottom of the FOC1. Using the screws provided, attach the bottom bezel trim that matches the factory bezel. (Fig. 2.2)

3. Install the hazard switch into the FOC1 bezel (the other hazard/lock switch is not used). (Fig. 2.3)

NOTE: If the hazard button squeaks when you press it, pop the hazard switch out of the kit and then re-install it. This should eliminate the noise.

4. Install the factory vents on the FOC1 kit. (Fig. 2.4)

5. Install the metal brackets on to the aftermarket radio. (Fig. 2.5)

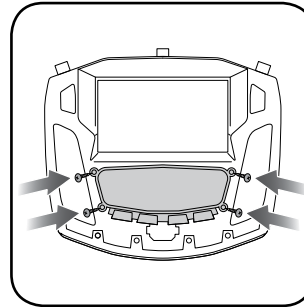


Fig. 2.1

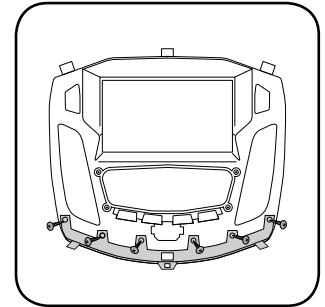


Fig. 2.2

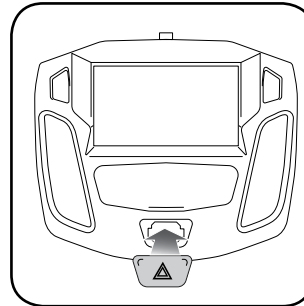


Fig. 2.3

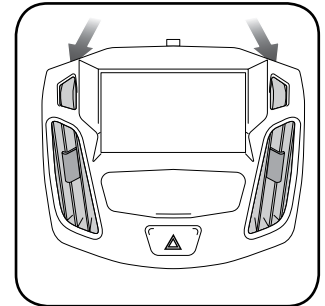


Fig. 2.4

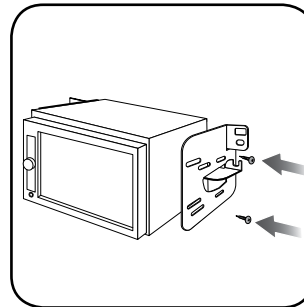


Fig. 2.5

INSTALLATION INSTRUCTIONS

MAKE CONNECTIONS (refer to wiring diagram)

1. Locate the aftermarket radio's main harness. Cut the WHITE, GRAY, GREEN and PURPLE RCA tips. Connect the wires from the aftermarket radio's main harness to the FOC1 t-harness and match the wire functions (refer to diagram).
2. Connect the FOC1 T-harness to the factory radio harness. Plug the backup camera cable into the factory harness (if applicable).
3. Connect all harnesses to the Maestro RR module.
4. Plug the aftermarket radio harnesses into the aftermarket radio. Plug the data cable to the data port of the aftermarket radio (port labeled iDatalink). Insert the audio cable into the iDatalink 3.5mm audio jack of the aftermarket radio (labeled iDatalink. If there is no iDatalink audio input, connect to AUX). Plug the backup camera RCA into the aftermarket radio (if applicable).

Note: When using a Pioneer radio, please ensure that there is nothing plugged into the W/R port of the radio.

5. Insert the radio into the dash and secure the metal brackets with (4) T25 screws. (Fig. 3.1)
6. Connect all the harnesses to the FOC1 kit, and secure it in the dash. Test your installation before completely re-assembling the bezel to the vehicle. (Fig. 3.2)

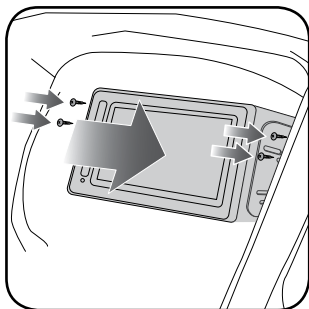


Fig. 3.1

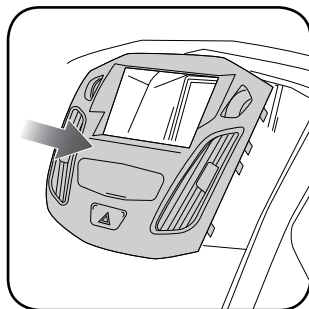
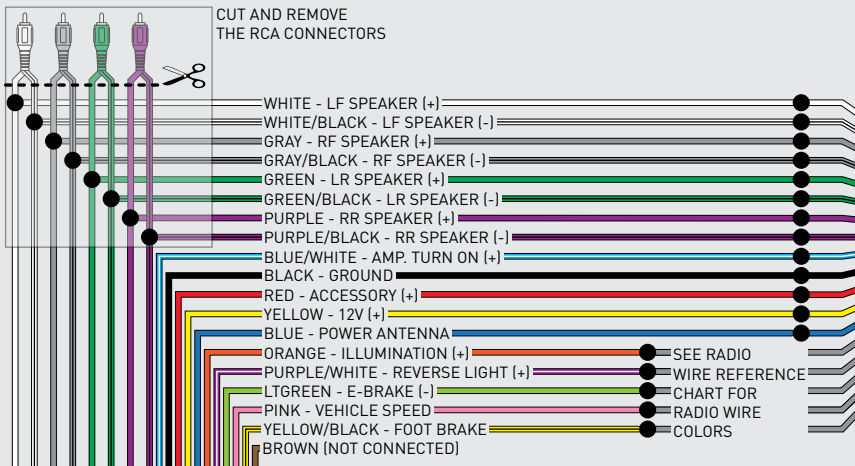


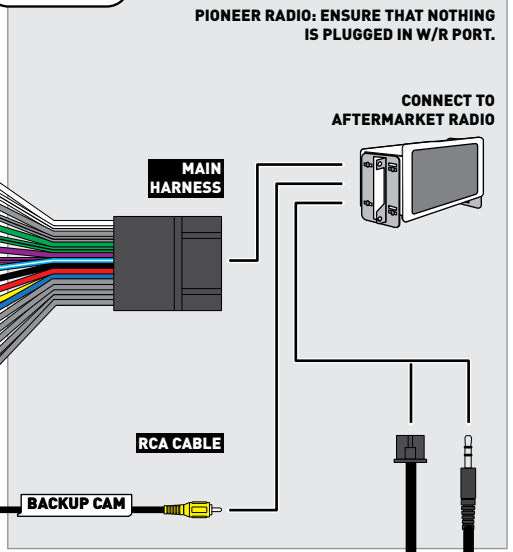
Fig. 3.2

WIRING DIAGRAM

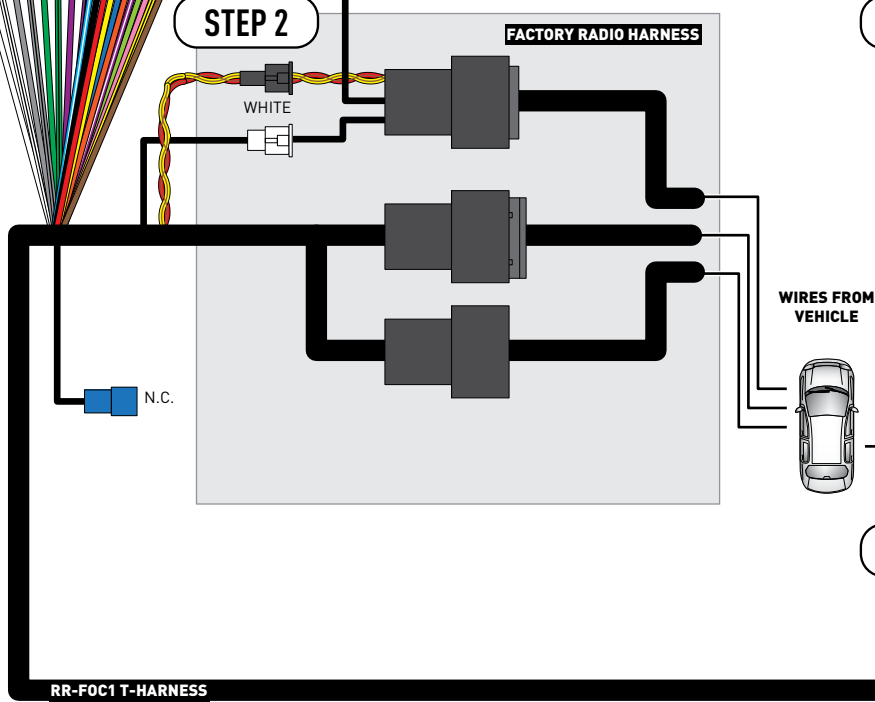
STEP 1



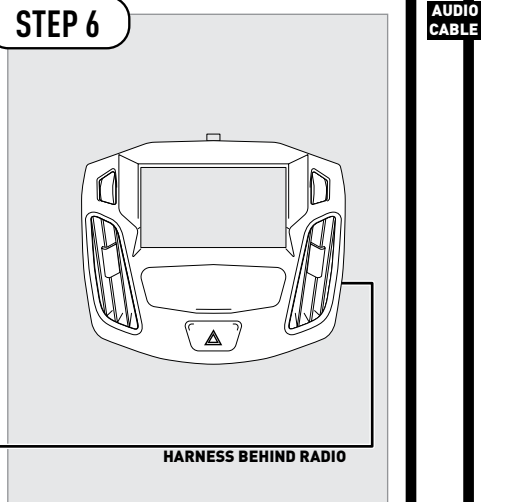
STEP 4



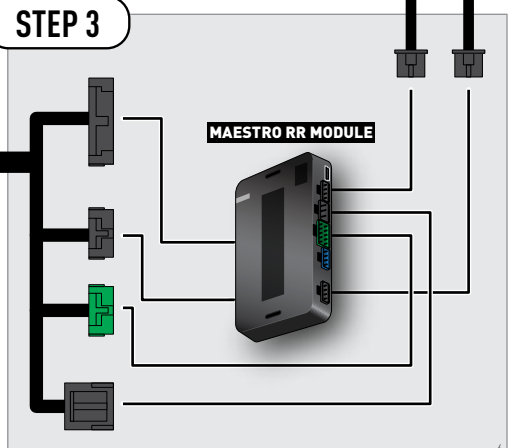
STEP 2



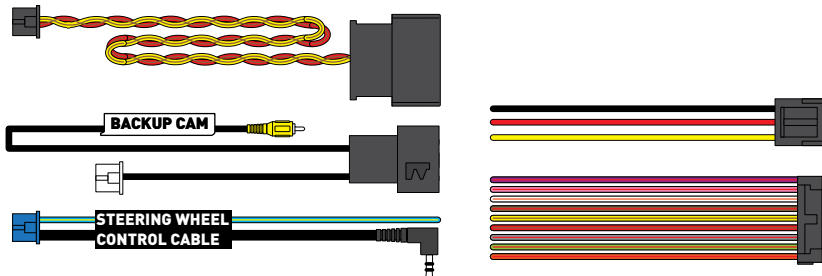
STEP 6



STEP 3



CONNECTION NOT REQUIRED



RADIO WIRE REFERENCE CHART

Wire Description	Polarity	Wire Color on Maestro T-Harness	Wire Color on Alpine cable	Wire Color on Kenwood cable	Wire Color on Pioneer cable	Wire Color on Sony cable
Illumination	(+)	Orange	N/A	Orange/White	Orange/White	Orange
Reverse Light	(+)	Purple/White	Orange/White	Purple/White	Purple/White	Purple/White
E-Brake	(-)	Lt Green	Yellow/Blue	Lt Green	Lt Green	Lt Green
Foot Brake	(+)	Yellow/Black	Yellow/Black	N/A	N/A	N/A
VSS (vehicle speed sensor)	(DATA)	Pink	Green/White	Pink	Pink	N/A

TROUBLESHOOTING TABLE

PROBLEM	SOLUTION
Gauges do not work, radio shows OBD2 Error 1 or Error 2.	<p>Ensure the BROWN/RED and BROWN/YELLOW wires are connected to the OBDII (NOT the red/brown and yellow/brown wires).</p> <p>Check connections at the OBDII connector. Make sure the BROWN/RED wire is on PIN 6 and the BROWN/YELLOW wire is connected to PIN 14 of the OBDII connector. Do not use T-Taps. Soldering or military splicing methods are recommended.</p> <p>Reset the RR.</p>
The light on the Maestro is blinking RED TWICE .	<p>Ensure the 4-pin data cable is connected between the radio and the RR, and that it is plugged into the black port on the Maestro RR. The red and blue ports on the RR should be empty.</p> <p>Make sure the correct radio model and serial number were entered during the flash. Verify the radio's serial number entered during the flash matches what is listed on the radio screen. This can be found in the settings of the radio, listed as Device Id, Device Number, or Serial Number.</p>
The light on the Maestro is flashing RED ONCE .	There is no firmware on the module; flash the RR module.

MAESTRO RR RESET PROCEDURE:

Turn the key to the OFF position, then disconnect all connectors from the module.
 Press and hold the module's programming button and connect all the connectors back to the module. Wait, the module's LED will flash RED rapidly (this may take up to 10 seconds).
 Release the programming button. Wait, the LED will turn solid GREEN for 2 seconds to show the reset was successful.

TECHNICAL ASSISTANCE

Phone: 1-866-427-2999

Email: maestro.support@idatalink.com

Web: maestro.idatalink.com/support add www.12voldata.com/forum/

IMPORTANT: To ensure proper operation, the aftermarket radio needs to have the latest firmware from the manufacturer. Please visit the radio manufacturer's website and look for any updates pertaining to your radio.

2012-2014
FORD FOCUS
WITH 8" MYFORD TOUCH SCREEN AND SONY AUDIO SYSTEM

RETAINS STEERING WHEEL CONTROLS, VEHICLE SETTINGS, AND MORE!



PRODUCTS REQUIRED

iDataLink Maestro RR or RR2 Radio Replacement Interface
iDataLink Maestro FOC1 Dash Kit

PROGRAMMED FIRMWARE

ADS-RR(SR)-FOR02-DS

ADDITIONAL RESOURCES

[Maestro RR2 Programmable Outputs Guide](#)

OPTIONAL ACCESSORIES

K40[™]
ELECTRONICS
ESCORT

Click here for:
[Radar Installation Guides](#)

WELCOME

Congratulations on the purchase of your iDatalink Maestro RR Radio replacement solution. You are now a few simple steps away from enjoying your new car radio with enhanced features.

Before starting your installation, please ensure that your iDatalink Maestro module is programmed with the correct firmware for your vehicle and that you carefully review the install guide.

Please note that Maestro RR will only retain functionalities that were originally available in the vehicle.

NEED HELP?

 1 866 427-2999

 maestro.support@idatalink.com

 maestro.idatalink.com/support
www.12voltdata.com/forum

TABLE OF CONTENTS

Installation Instructions	3
Wiring Diagram	6
Radio Wire Reference Chart	7
Troubleshooting Table	8

INSTALLATION INSTRUCTIONS

DASH DISASSEMBLY

1. Pry off center cap at the bottom of the factory radio bezel to expose two (2) screws. (Fig. 1.1)
2. Remove two (2) Torx T25 screws. (Fig. 1.2)
3. Starting at the bottom, pull the bezel forward. At the same time, use a panel removal tool to pry the bezel. (Fig. 1.3) Disconnect the connector at the back of the bezel and put it to the side.
4. Remove four (4) Torx T25 screws holding the screen frame, and two (2) Torx T25 holding the radio body. (Fig. 1.4)
5. Remove both the screen assembly and the radio body, disconnecting the plugs in the process. (Fig. 1.5)
6. Remove the vents from the factory bezel. (Fig. 1.6)

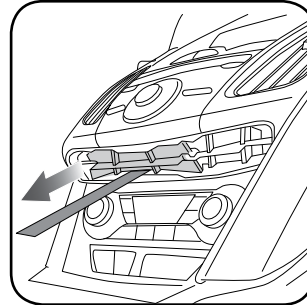


Fig. 1.1

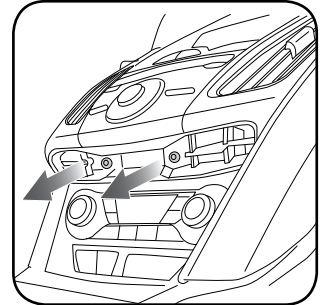


Fig. 1.2

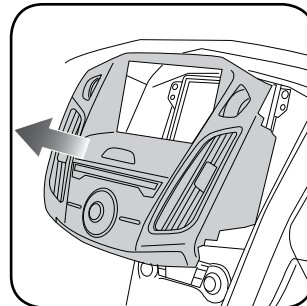


Fig. 1.3

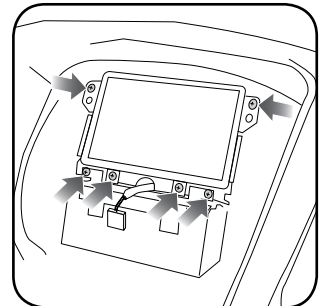


Fig. 1.4

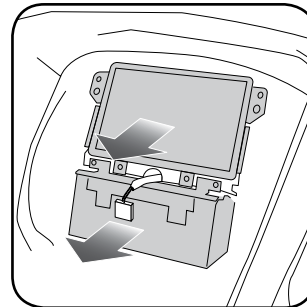


Fig. 1.5

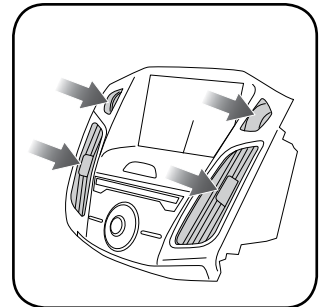


Fig. 1.6

INSTALLATION INSTRUCTIONS

DASH KIT ASSEMBLY

1. Attach the pocket of the FOC1 to the bezel using the four (4) provided screws. (Fig. 2.1)

NOTE: If the pocket sticks when opening or closing, you can adjust the fit by loosening the screws that secure the pocket by 1/4 turn until the pocket no longer sticks.

2. Install the combination hazard/lock switch into the FOC1 bezel (the other hazard switch is not used). (Fig. 2.2)

NOTE: If the hazard button squeaks when you press it, pop the hazard switch out of the kit and then re-install it. This should eliminate the noise.

3. Install the factory vents on the FOC1 kit. (Fig. 2.3)
4. Install the metal brackets on to the aftermarket radio. (Fig. 2.4)

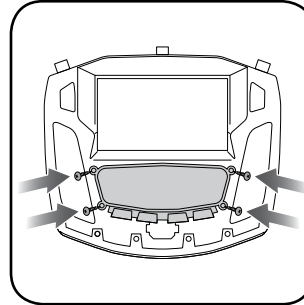


Fig. 2.1

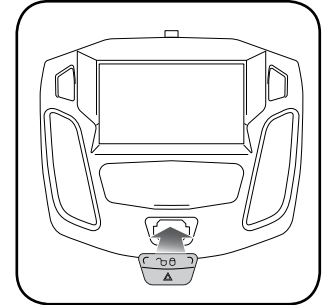


Fig. 2.2

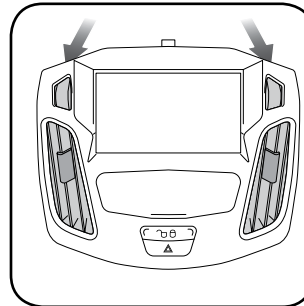


Fig. 2.3

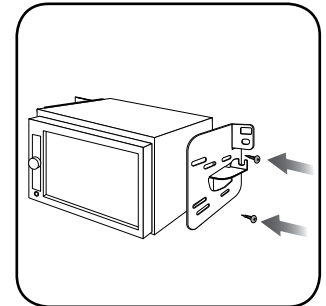


Fig. 2.4

INSTALLATION INSTRUCTIONS

MAKE CONNECTIONS (refer to wiring diagram)

1. Locate the aftermarket radio's main harness. Connect the wires from the aftermarket radio's main harness to the FOC1 t-harness and match the wire functions (refer to diagram).
2. Assemble and connect the FOC1 T-harness to the factory radio harness. Plug the backup camera cable into the factory harness (if applicable).
3. Connect all harnesses to the Maestro RR module.
4. Plug the aftermarket radio harnesses into the aftermarket radio. Plug the data cable to the data port of the aftermarket radio (port labeled iDataLink). Plug the gray and white speaker RCA inputs. Plug the backup camera RCA into the aftermarket radio (if applicable).

Note: When using a Pioneer radio, please ensure that there is nothing plugged into the W/R port of the radio.

5. Insert the radio into the dash and secure the metal brackets with (4) T25 screws. (Fig. 3.1)
6. Connect all the harnesses to the FOC1 kit, and secure it in the dash. Test your installation before completely re-assembling the bezel to the vehicle. (Fig. 3.2)

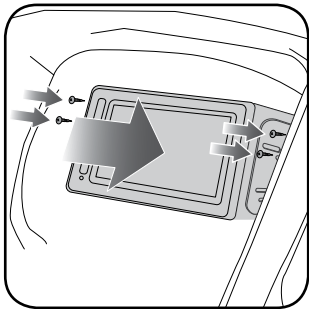


Fig. 3.1

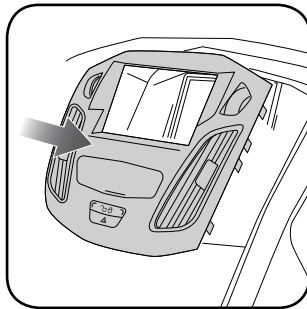
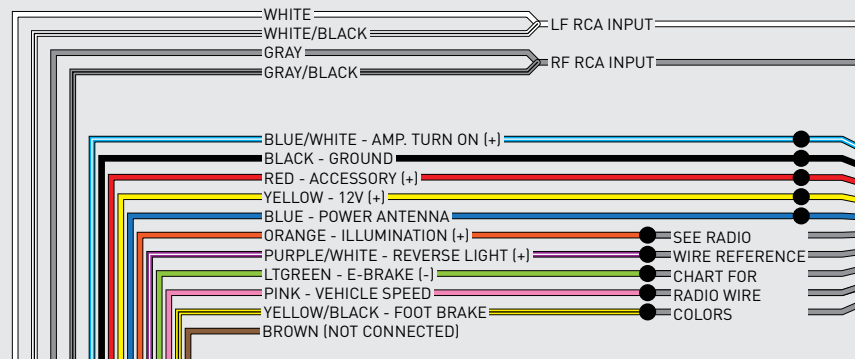


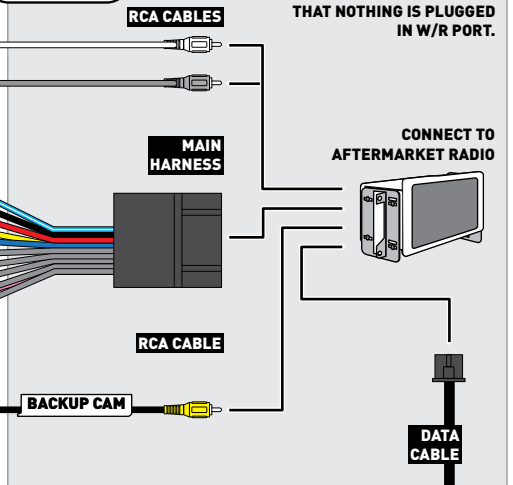
Fig. 3.2

WIRING DIAGRAM

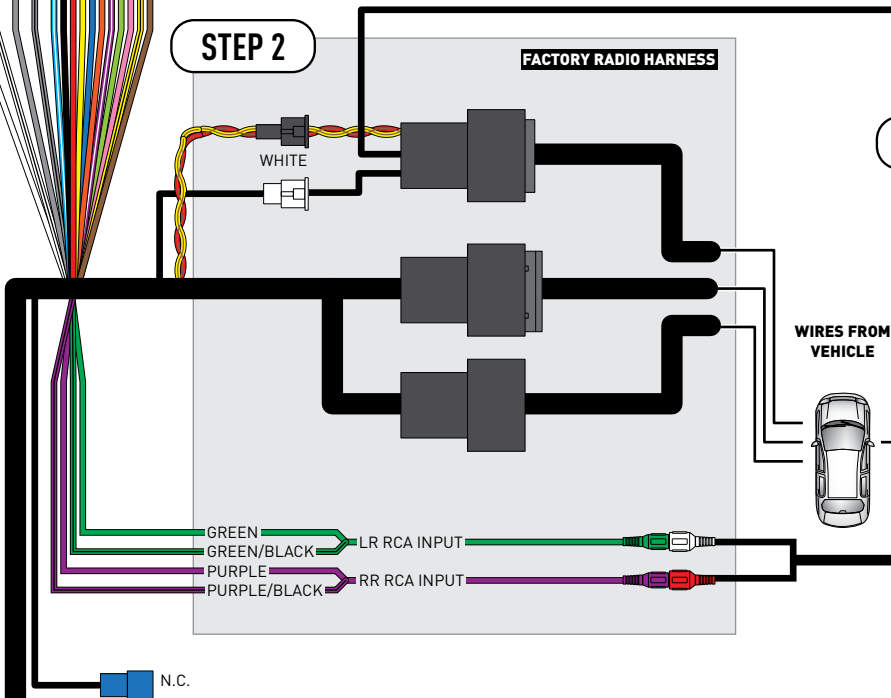
STEP 1



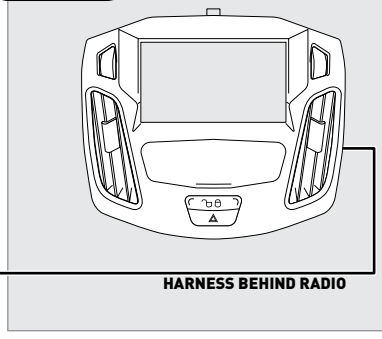
STEP 4



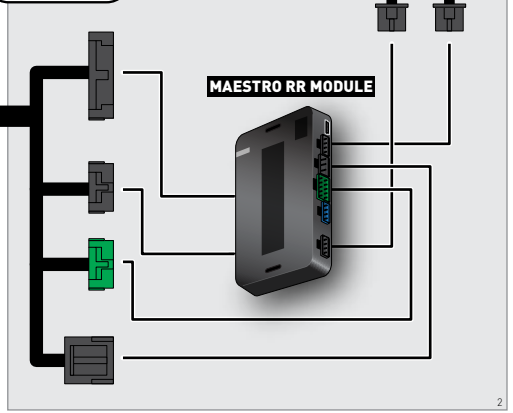
STEP 2



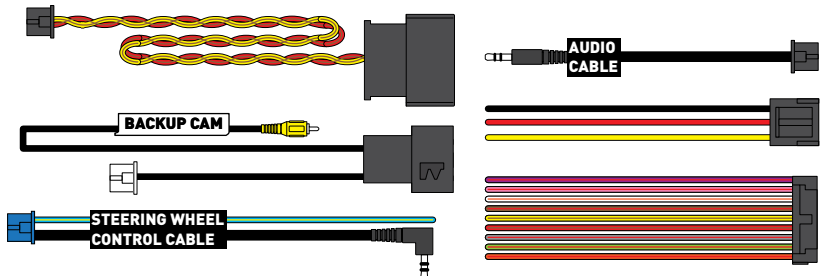
STEP 6



STEP 3



CONNECTION NOT REQUIRED



RADIO WIRE REFERENCE CHART

Wire Description	Polarity	Wire Color on Maestro T-Harness	Wire Color on Alpine cable	Wire Color on Kenwood cable	Wire Color on Pioneer cable	Wire Color on Sony cable
Illumination	(+)	Orange	N/A	Orange/White	Orange/White	Orange
Reverse Light	(+)	Purple/White	Orange/White	Purple/White	Purple/White	Purple/White
E-Brake	(-)	Lt Green	Yellow/Blue	Lt Green	Lt Green	Lt Green
Foot Brake	(+)	Yellow/Black	Yellow/Black	N/A	N/A	N/A
VSS (vehicle speed sensor)	(DATA)	Pink	Green/White	Pink	Pink	N/A

TROUBLESHOOTING TABLE

PROBLEM	SOLUTION
Gauges do not work, radio shows OBD2 Error 1 or Error 2.	<p>Ensure the BROWN/RED and BROWN/YELLOW wires are connected to the OBDII (NOT the red/brown and yellow/brown wires).</p> <p>Check connections at the OBDII connector. Make sure the BROWN/RED wire is on PIN 6 and the BROWN/YELLOW wire is connected to PIN 14 of the OBDII connector. Do not use T-Taps. Soldering or military splicing methods are recommended.</p> <p>Reset the RR.</p>
The light on the Maestro is blinking RED TWICE .	<p>Ensure the 4-pin data cable is connected between the radio and the RR, and that it is plugged into the black port on the Maestro RR. The red and blue ports on the RR should be empty.</p> <p>Make sure the correct radio model and serial number were entered during the flash. Verify the radio's serial number entered during the flash matches what is listed on the radio screen. This can be found in the settings of the radio, listed as Device Id, Device Number, or Serial Number.</p>
The light on the Maestro is flashing RED ONCE .	There is no firmware on the module; flash the RR module.

MAESTRO RR RESET PROCEDURE:

Turn the key to the OFF position, then disconnect all connectors from the module.

Press and hold the module's programming button and connect all the connectors back to the module. Wait, the module's LED will flash RED rapidly (this may take up to 10 seconds).

Release the programming button. Wait, the LED will turn solid GREEN for 2 seconds to show the reset was successful.

TECHNICAL ASSISTANCE

Phone: 1-866-427-2999

Email: maestro.support@idatalink.com

Web: maestro.idatalink.com/support add www.12voldata.com/forum/

IMPORTANT: To ensure proper operation, the aftermarket radio needs to have the latest firmware from the manufacturer. Please visit the radio manufacturer's website and look for any updates pertaining to your radio.

2015-2018

FORD FOCUS

WITH 8" MYFORD TOUCH SCREEN AND SONY AUDIO SYSTEM

RETAINS STEERING WHEEL CONTROLS, VEHICLE SETTINGS, AND MORE!



PRODUCTS REQUIRED

iDataLINK Maestro RR or RR2 Radio Replacement Interface
iDataLINK Maestro FOC1 Dash Kit

PROGRAMMED FIRMWARE

ADS-RR(SR)-FOR02-DS

ADDITIONAL RESOURCES

[Maestro RR2 Programmable Outputs Guide](#)

OPTIONAL ACCESSORIES

K40[™]
ELECTRONICS
ESCORT

Click here for:
[Radar Installation Guides](#)

WELCOME

Congratulations on the purchase of your iDatalink Maestro RR Radio replacement solution. You are now a few simple steps away from enjoying your new car radio with enhanced features.

Before starting your installation, please ensure that your iDatalink Maestro module is programmed with the correct firmware for your vehicle and that you carefully review the install guide.

Please note that Maestro RR will only retain functionalities that were originally available in the vehicle.

NEED HELP?

 1 866 427-2999

 maestro.support@idatalink.com

 maestro.idatalink.com/support
www.12voltdata.com/forum

TABLE OF CONTENTS

Installation Instructions	3
Wiring Diagram	6
Radio Wire Reference Chart	7
Troubleshooting Table	8

INSTALLATION INSTRUCTIONS

DASH DISASSEMBLY

1. Unclip and remove the trim panel at the bottom of the factory bezel (this panel contains the airbag light). (Fig. 1.1)
2. Remove the trim around the shifter console by prying it up and unclipping it. (Fig. 1.2)
3. Remove three (3) phillips screws holding the shifter surround and climate controls. (Fig. 1.3)
4. Remove two (2) Torx T25 screws at the bottom of the bezel. (Fig. 1.4)
5. Starting at the bottom, pull the bezel forward and use a panel removal tool to release the bezel from the dash. Disconnect the plug on the back of the bezel and put it to the side. (Fig. 1.5)
6. Remove four (4) Torx T25 screws holding the screen frame, and two (2) Torx T25 holding the radio body. (Fig. 1.6)
7. Remove both the screen assembly and the radio body, disconnecting the plugs in the process. Remove the screws holding the screen frame in place and remove the screen frame. (Fig. 1.7)
8. Remove the vents from the factory bezel. (Fig. 1.8)

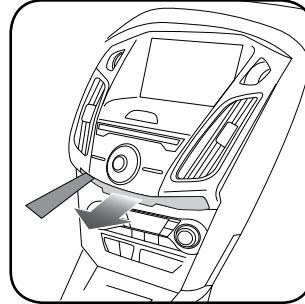


Fig. 1.1

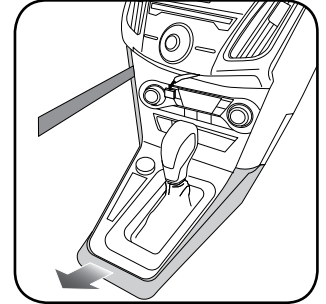


Fig. 1.2

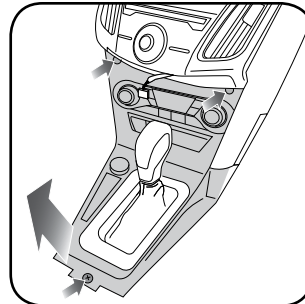


Fig. 1.3

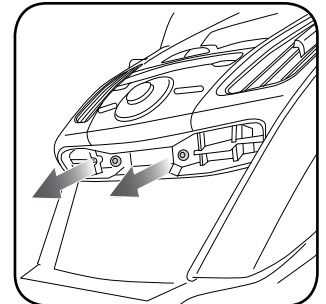


Fig. 1.4

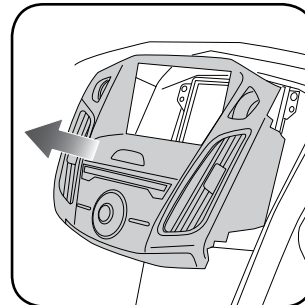


Fig. 1.5

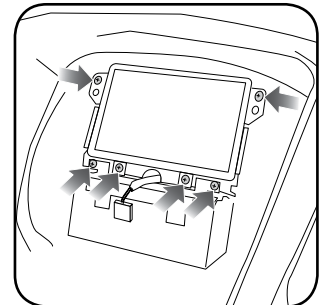


Fig. 1.6

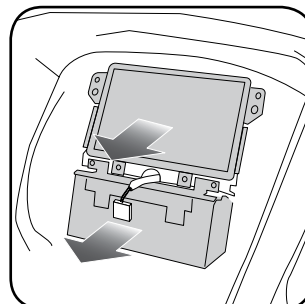


Fig. 1.7

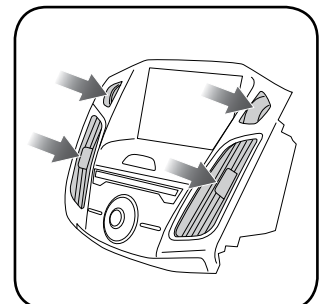


Fig. 1.8

INSTALLATION INSTRUCTIONS

DASH KIT ASSEMBLY

1. Attach the pocket of the FOC1 to the bezel using the four (4) provided screws. (Fig. 2.1)

NOTE: If the pocket sticks when opening or closing, you can adjust the fit by loosening the screws that secure the pocket by 1/4 turn until the pocket no longer sticks.

2. Remove the bezel that is attached to the bottom of the FOC1. Using the screws provided, attach the bottom bezel trim that matches the factory bezel. (Fig. 2.2)

3. Install the hazard switch into the FOC1 bezel (the other hazard/lock switch is not used). (Fig. 2.3)

NOTE: If the hazard button squeaks when you press it, pop the hazard switch out of the kit and then re-install it. This should eliminate the noise.

4. Install the factory vents on the FOC1 kit. (Fig. 2.4)

5. Install the metal brackets on to the aftermarket radio. (Fig. 2.5)

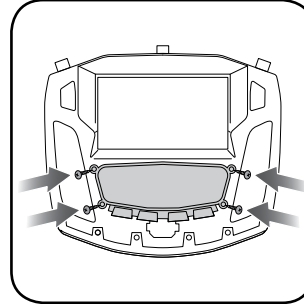


Fig. 2.1

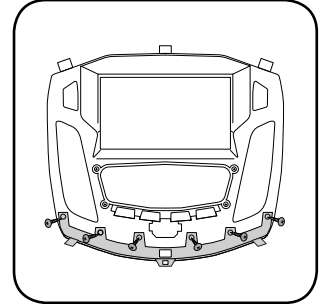


Fig. 2.2

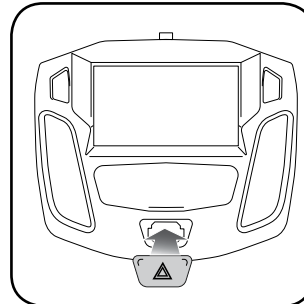


Fig. 2.3

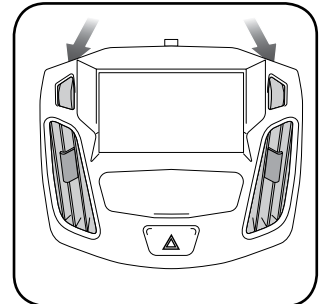


Fig. 2.4

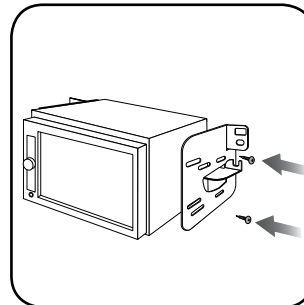


Fig. 2.5

INSTALLATION INSTRUCTIONS

MAKE CONNECTIONS (refer to wiring diagram)

1. Locate the aftermarket radio's main harness. Connect the wires from the aftermarket radio's main harness to the FOC1 t-harness and match the wire functions (refer to diagram).
2. Assemble and connect the FOC1 T-harness to the factory radio harness. Plug the backup camera cable into the factory harness (if applicable).
3. Connect all harnesses to the Maestro RR module.
4. Plug the aftermarket radio harnesses into the aftermarket radio. Plug the data cable to the data port of the aftermarket radio (port labeled iDataLink). Plug the gray and white speaker RCA inputs. Plug the backup camera RCA into the aftermarket radio (if applicable).

Note: When using a Pioneer radio, please ensure that there is nothing plugged into the W/R port of the radio.

5. Insert the radio into the dash and secure the metal brackets with (4) T25 screws. (Fig. 3.1)
6. Connect all the harnesses to the FOC1 kit, and secure it in the dash. Test your installation before completely re-assembling the bezel to the vehicle. (Fig. 3.2)

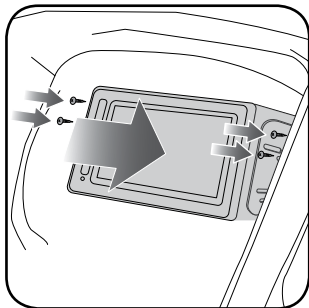


Fig. 3.1

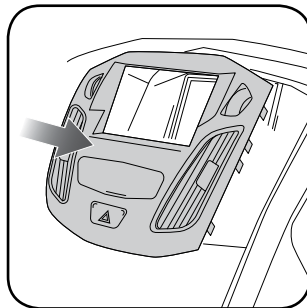
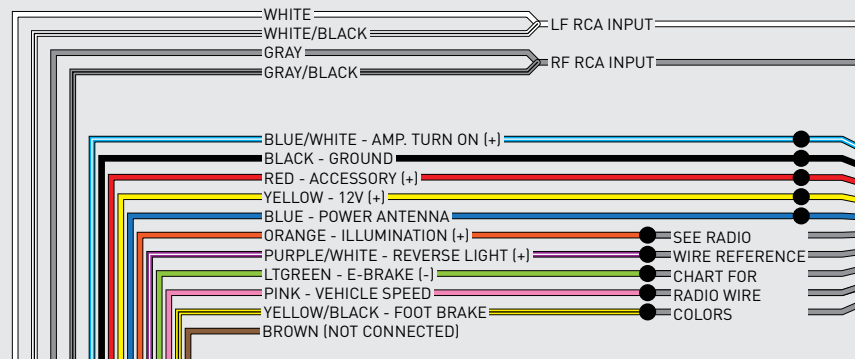


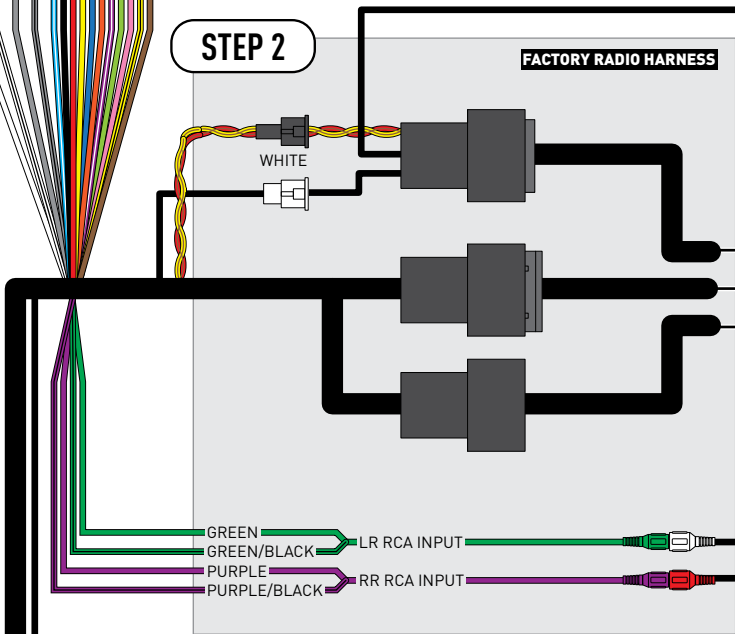
Fig. 3.2

WIRING DIAGRAM

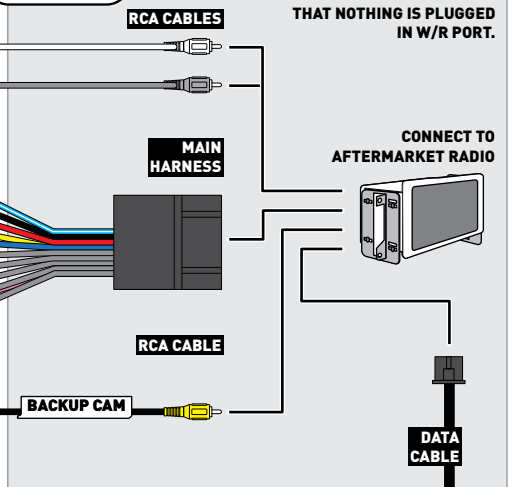
STEP 1



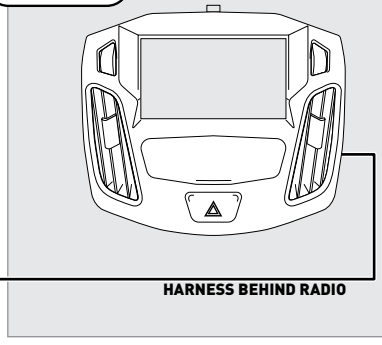
STEP 2



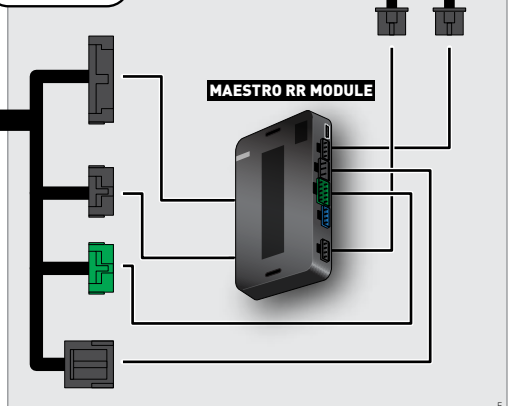
STEP 4



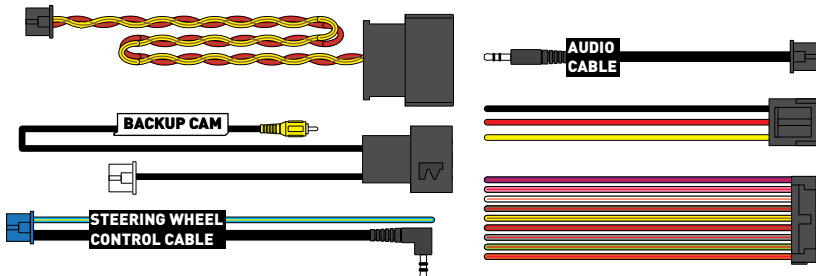
STEP 6



STEP 3



CONNECTION NOT REQUIRED



RADIO WIRE REFERENCE CHART

Wire Description	Polarity	Wire Color on Maestro T-Harness	Wire Color on Alpine cable	Wire Color on Kenwood cable	Wire Color on Pioneer cable	Wire Color on Sony cable
Illumination	(+)	Orange	N/A	Orange/White	Orange/White	Orange
Reverse Light	(+)	Purple/White	Orange/White	Purple/White	Purple/White	Purple/White
E-Brake	(-)	Lt Green	Yellow/Blue	Lt Green	Lt Green	Lt Green
Foot Brake	(+)	Yellow/Black	Yellow/Black	N/A	N/A	N/A
VSS (vehicle speed sensor)	(DATA)	Pink	Green/White	Pink	Pink	N/A

TROUBLESHOOTING TABLE

PROBLEM	SOLUTION
Gauges do not work, radio shows OBD2 Error 1 or Error 2.	<p>Ensure the BROWN/RED and BROWN/YELLOW wires are connected to the OBDII (NOT the red/brown and yellow/brown wires).</p> <p>Check connections at the OBDII connector. Make sure the BROWN/RED wire is on PIN 6 and the BROWN/YELLOW wire is connected to PIN 14 of the OBDII connector. Do not use T-Taps. Soldering or military splicing methods are recommended.</p> <p>Reset the RR.</p>
The light on the Maestro is blinking RED TWICE .	<p>Ensure the 4-pin data cable is connected between the radio and the RR, and that it is plugged into the black port on the Maestro RR. The red and blue ports on the RR should be empty.</p> <p>Make sure the correct radio model and serial number were entered during the flash. Verify the radio's serial number entered during the flash matches what is listed on the radio screen. This can be found in the settings of the radio, listed as Device Id, Device Number, or Serial Number.</p>
The light on the Maestro is flashing RED ONCE .	There is no firmware on the module; flash the RR module.

MAESTRO RR RESET PROCEDURE:

Turn the key to the OFF position, then disconnect all connectors from the module.
 Press and hold the module's programming button and connect all the connectors back to the module. Wait, the module's LED will flash RED rapidly (this may take up to 10 seconds).
 Release the programming button. Wait, the LED will turn solid GREEN for 2 seconds to show the reset was successful.

TECHNICAL ASSISTANCE

Phone: 1-866-427-2999
 Email: maestro.support@idatalink.com
 Web: maestro.idatalink.com/support add www.12voldata.com/forum/

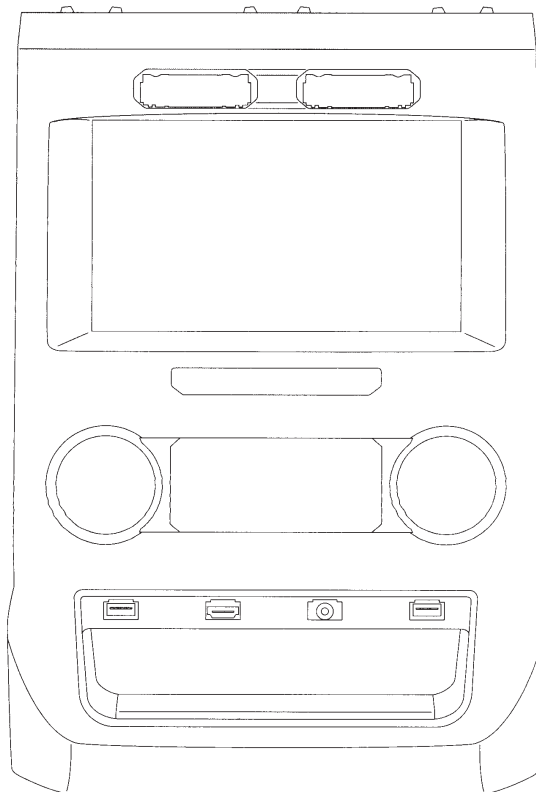
IMPORTANT: To ensure proper operation, the aftermarket radio needs to have the latest firmware from the manufacturer. Please visit the radio manufacturer's website and look for any updates pertaining to your radio.



QUICK START GUIDE FOR CAR RADIO INSTALLATION KITS

GUIDE DE DÉMARRAGE RAPIDE POUR KITS D'INSTALLATION AUTORADIO

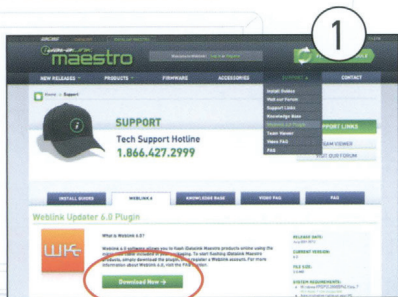
GUÍA DE INICIO RÁPIDO PARA KITS DE INSTALACIÓN DE AUTORRADIO



WEB-PROGRAMMING STEPS

 THIS PRODUCT REQUIRES THE INSTALLATION OF A MAESTRO RR (ADS-MRR) MODULE SOLD SEPARATELY

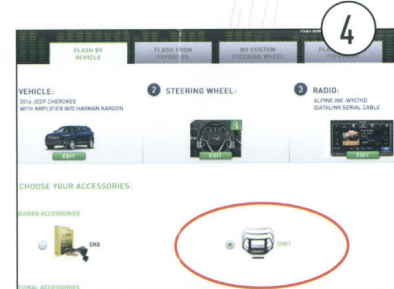
- 1 INSTALL THE WEBLINK PLUGIN (FOR PC ONLY)**
Go to idatalinkmaestro.com/plugin and follow the installation steps. Review the System Requirements before installing. **Macintosh not supported.**
- 2 REGISTER A WEBLINK ACCOUNT**
Go to idatalinkmaestro.com/register and complete the registration process. A confirmation email will be sent to you requiring validation.
- 3 CONNECT THE MODULE TO YOUR PC**
Use the included mini USB cable to connect your iDataLink Maestro RR module to your PC.
- 4 WEBLINK PROGRAMMING**
Go to idatalinkmaestro.com/login. Enter your username and password, then click OK. Follow the installation steps in Weblink until your module is flashed, then download your install guide. **Be sure to select the dash kit as an accessory in step 4.**
- 5 COMPLETE VEHICLE-SPECIFIC INSTALLATION**
Follow the steps in your install guide and complete the installation. **ADS recommends having your iDataLink Maestro products installed by a certified technician.**




ÉTAPES DE PROGRAMMATION WEB

 CE PRODUIT NÉCESSITE L'INSTALLATION D'UN MODULE MAESTRO RR (ADS-MRR) VENDU SÉPARÉMENT

- 1 INSTALLEZ LE PLUGIN WEBLINK (PC SEULEMENT)**
Allez à idatalinkmaestro.com/plugin et suivez les étapes d'installation. Vérifiez les exigences système avant l'installation. **Macintosh n'est pas supporté.**
- 2 INSCRIVEZ-VOUS À WEBLINK**
Allez à idatalinkmaestro.com/register et terminez le processus d'inscription. Un courriel de confirmation vous sera envoyé pour validation.
- 3 BRANCHEZ LE MODULE À VOTRE PC**
Utilisez le mini-câble USB fourni pour brancher votre module iDataLink Maestro RR à votre PC.
- 4 PROGRAMMATION WEBLINK**
Allez à idatalinkmaestro.com/login. Entrez votre nom d'utilisateur et votre mot de passe, puis cliquez sur OK. Suivez les étapes d'installation dans Weblink jusqu'à ce que votre module soit flashé, puis téléchargez votre guide d'installation. **Assurez-vous de sélectionner le kit de tableau de bord comme accessoire à l'étape 4.**
- 5 INSTALLATION COMPLÈTE DU VÉHICULE**
Suivez les étapes de votre guide d'installation et terminez l'installation. **ADS recommande que vos iDataLink Maestro soient installés par un technicien certifié.**



PASOS DE PROGRAMACIÓN WEB

 ESTE PRODUCTO REQUIERE LA INSTALACIÓN DEL MÓDULO MAESTRO RR (ADS-MRR) VENDIDO POR SEPARADO

- 1 INSTALE EL COMPLEMENTO WEBLINK (SÓLO PC)**
Vaya a idatalinkmaestro.com/plugin y siga los pasos de instalación. Compruebe los requisitos del sistema antes de la instalación. **Macintosh no es compatible.**
- 2 REGÍSTRESE A WEBLINK**
Vaya a idatalinkmaestro.com/register y complete el proceso de registro. Se le enviará un correo electrónico de confirmación para su validación.
- 3 CONECTE EL MÓDULO A SU PC**
Utilice el cable mini USB suministrado para conectar su módulo iDataLink Maestro RR a su PC.
- 4 PROGRAMACIÓN WEBLINK**
Vaya a idatalinkmaestro.com/login. Introduzca su nombre de usuario y contraseña y haga clic en OK. Siga los pasos de instalación en Enlace web hasta que su módulo se muestra, luego descargue la guía de instalación. **Asegúrese de seleccionar el kit del panel de instrumentos como accesorio en el paso 4.**
- 5 INSTALACIÓN COMPLETA PARA SU VEHÍCULO**
Siga los pasos de la guía de instalación y complete la instalación. **ADS recomienda que su productos iDataLink Maestro sea instalado por un técnico certificado.**



LIMITED 1-YEAR WARRANTY

Automotive Data Solutions Inc. ("ADS") warrants to the original purchaser that this product shall be free of defects in material and workmanship under normal use and circumstances, for the period of one (1) year as of the original date of purchase.

In the event of any product malfunction during the Warranty period, the original purchaser must return to the Authorized Dealer where it was originally purchased with the original proof of purchase. If a malfunction is detected, the Authorized Dealer will elect to repair or replace the product at its discretion. Labor costs may be applicable and are at the discretion of the Authorized Dealer.

ADS is not responsible for any damages whatsoever, including but not limited to any consequential damages, incidental damages for loss of time, loss of earnings, commercial loss of economic opportunity and the like that may or may not have resulted from the installation or operation of an iDataLink Maestro product.

GARANTIE LIMITÉE DE 1 AN

Automotive Data Solutions Inc. (ADS) garantit à l'acheteur original que ce produit est exempt de défauts dans les matériaux et dans la fabrication, et ce, dans des conditions normales d'utilisation, pour une période de un (1) an à partir de la date d'achat originale.

Si le produit ne fonctionne pas correctement alors qu'il est encore sous garantie, l'acheteur original doit retourner chez le détaillant autorisé où il a acheté son produit avec la preuve d'achat originale. Si le détaillant autorisé détecte une quelconque anomalie, il réparera ou de remplacera le produit, et ce, à sa discrétion. Des frais de main d'oeuvre peuvent s'appliquer et sont à la discrétion du détaillant autorisé.

ADS n'accepte aucune responsabilité pour tout dommage, y compris, sans s'y limiter, aux dommages consécutifs, dommages indirects, dommages pour pertes de temps, pour pertes de revenus, pour pertes commerciales, pour pertes de possibilités économiques qui pourraient ou non avoir résulté de l'installation ou du fonctionnement d'un produit iDataLink Maestro.



GARANTÍA LIMITADA POR 1 AÑO

Automotive Data Solutions Inc. ("ADS") garantiza al comprador original que este producto no presentará ningún defecto relacionado con sus materiales o su fabricación, bajo condiciones normales de uso, durante un (1) año a partir de la fecha original de compra.

En caso de que el producto presente alguna falla durante el período de Garantía, el comprador original deberá remitirse al Distribuidor Autorizado donde lo compró, llevando consigo la prueba de compra original. Si se determina que el producto presenta una falla, el Distribuidor Autorizado podrá decidir si reparará o reemplazará el producto, según su criterio. Si esta situación genera costos por mano de obra, estos responderán al criterio del Distribuidor Autorizado.

ADS no se hace responsable por ningún tipo de daños, incluyendo, pero sin limitarse a, daños consecuenciales, daños indirectos producto de la pérdida de tiempo, la pérdida de ingresos, la pérdida comercial de una oportunidad económica y otros similares que puedan haber resultado o no de la instalación de un producto iDataLink Maestro.



NEED HELP? BESOIN D'AIDE? ¿NECESITA AYUDA?

☎ 877.212.6169



idatalink
maestro



**CAR RADIO
INSTALLATION KIT**
KIT D'INSTALLATION AUTORADIO
KIT DE INSTALACIÓN PARA AUTORRADIO

**FORD FOCUS
2012-2018**

ALL TRIMS | TOUS MODÈLES | TODOS MODELOS

Part # / No. Pièce / No. Pieza

KIT-FOC1

FOC1



BEFORE / AVANT / ANTES



**CAR RADIO
INSTALLATION KIT**
KIT D'INSTALLATION AUTORADIO
KIT DE INSTALACIÓN PARA AUTORRADIO

FORD FOCUS 2012-2018

ALL TRIMS | TOUS MODÈLES | TODOS MODELOS



IDEALINK
maestro

FOC1

OEM grade fit and finish

Qualité d'assemblage et finition d'origine

Calidad de montaje y acabado originales

Convenient storage pocket with closing door

Pochette de rangement pratique avec rabat de fermeture

Práctico compartimento de depósito con solapa de cierre

**Includes trims for 2012-2014 models and
2015-2018 models**

Comprend kit de garniture pour les modèles 2012-2014 et
les modèles 2015-2018

Incluye kit de ajustes para modelos 2012-2014 y modelos 2015-2018



**Adds climate controls*, gauges,
vehicle info and more with Maestro RR and
compatible aftermarket radio sold separately**

Ajoute des commandes de climatisation*, des cadrans, des infos de
véhicule et plus avec Maestro RR et autoradio de rechange compatible
vendus séparément

Añade control del climatizador, medidores, información del vehículo y más, con
Maestro RR y una radio de recambio compatible vendida por separado*

**Adds 2x USB ports, 1x HDMI port
& 1x 3.5mm port!**

Ajoute 2 ports USB, 1 port HDMI et 1 port 3,5mm!

¡Añade 2 puertos USB, 1 puerto HDMI y 1 puerto 3,5mm!

*ON MODELS WITH MYFORD TOUCH ONLY - Sur modèles avec MyFord Touch seulement - Solamente en modelos con MyFord Touch

WHAT'S IN THE BOX

Ce qu'il y a dans la boîte - *Qué hay en la caja*

idatalink
maestro



PLUG & PLAY HARNESS

Harnais d'installation - *Arnés de cableado*



RADIO PANEL

Panneau de radio - *Panel frontal del radio*



2012-2014 TRIM KIT

Kit de garniture 2012-2014 - *Kit de ajuste 2012-2014*



STEEL RADIO BRACKETS

Supports de radio en acier - *Soportes de acero para el radio*

REQUIRED ACCESSORIES

Accessoires requis* - Accesorios requeridos

idatalink
maestro



IDATALINK MAESTRO RR*



IDATALINK-COMPATIBLE RADIO*

<http://maestro.idatalink.com/compatible-radios>

*SOLD SEPARATELY - Vendu Spérarément - Vendido por separado