



READ BEFORE INSTALLATION

Our goal is to improve your in-vehicle experience. To achieve that, we are here for you. For installation assistance, questions about using your new Alpine Restyle System or if you're having problems with your Alpine product, we can help. Please choose one of the methods below for resolution to any issues you may have.

TECHNICAL SUPPORT

We are here to help with any questions you have about your Alpine Restyle product. For any questions about using your Alpine Restyle System and installation support, get in touch with us:

800-TECH-101
Monday - Friday
7 AM - 5 PM PST

Online Support Center
supportalpineusa.custhelp.com

Owner's Manuals
alpine-usa.com/support

SHARE YOUR #ALPINERESTYLE

Alpine Restyle is not just a product, it's a lifestyle. Share yours with us today using #AlpineRestyle.



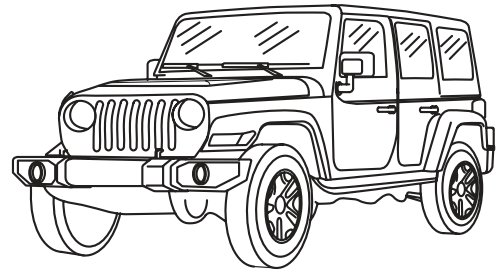
@AlpineUSA

www.alpine-usa.com

Jeep Wrangler

PSS-24WRA

Installation Manual



- Model: Wrangler JL 2018-Up
- Model: Gladiator JT 2020-Up

	Model	Year
Jeep	Wrangler JL**	2018 – Up
	Gladiator JT**	2020 – Up

**The specified vehicles have been tested and have met compatibility specs at the time of testing. Compatibility is not guaranteed if the manufacturer has made production changes to the listed vehicles above.

Introduction

- Congratulations on purchasing the PSS-24WRA. This installation manual is designed to take you through the step-by-step installation of PSS-24WRA into a 2018-Up Jeep Wrangler JL or Jeep Gladiator JT 2020-Up. Please familiarize yourself with the owners manual as this is a challenging installation. If you still have additional questions please call 1-800-TECH-101.



Note

- Design and specifications are subject to change without notice for improvement.





To Ensure Safe Use, Always Follow These Precautions

- The installation of this product requires specialized skills and experience. This is an installation that is challenging and time consuming even for installers with experience. A professional installer would typically take a minimum of 4-5 hours to complete this installation. We recommend that you have the product installed by an Alpine authorized dealer.
- Before you use this product, be sure to carefully read this installation manual and the separate user's manual so that you can use the product correctly. Alpine Electronics bears no responsibility for problems that arise as a result of failure to follow the instructions in the manuals.
- This manual includes a number of symbols that are intended to help you use the product safely, to prevent harm to you and others, and to protect against damage to property. These symbols and their meanings are listed below.
 Make sure you fully understand these symbols before you begin reading the main text.


Explanations of Injury and Damage That May Result from Incorrect Use


 Warning	Ignoring the content marked by this indication and using the product incorrectly is expected to lead to death or serious injury.
 Caution	Ignoring the content marked by this indication and using the product incorrectly is only expected to lead to injury or property damage.



Types of Precautions

 Forbidden	Indicates actions that are forbidden (must not be performed)
 Forbidden	Indicates that disassembly is forbidden.
 Mandatory	Indicates actions that are mandatory (must be performed)
	Marks content that should receive your full attention.


 **Warning**

Do not disassemble or modify the product. Doing so could lead to an accident, fire, or electric shock.  Forbidden

Store screws and other small objects where children cannot reach them. If one of those small objects is swallowed, consult with a doctor immediately. 


When replacing fuses be sure to use the fuses with the specified current rating. Failing to do so could lead to an accident or fire.   Mandatory Forbidden


Only connect the product to a 12 VDC negative ground car. Failing to do so could lead to an accident or fire.  Mandatory

Since this vehicle has two batteries, disconnecting the battery is not a good option. Take caution when testing circuits. Failing to do so could lead to electric shock or injury. 


Do not cut the insulation on a cord and take power from another device. Doing so could lead to fire or electric shock.  Forbidden

Do not install the product in a location where it will obstruct the driver's forward view; interfere with the operation of the steering wheel, gear shift, or the like; or pose a threat to passengers. Doing so could lead to an accident or injury.  Forbidden

When making a hole in the vehicle body, be careful to avoid damaging pipes, the fuel tank, electrical wiring, and the like. This kind of damage could lead to an accident or fire. 

When installing and grounding the product, do not use any of the bolts or nuts of the steering wheel, brakes, fuel tank, or the like. Doing so could make the brakes stop working or could lead to fire.  Forbidden

Do not install the product near the passengerside airbag. Doing so could interfere with the operation of the airbag and lead to an accident or injury.  Forbidden

Bundle cords so that they don't interfere with driving. Wrapping cords around the steering wheel, gearshift, brake pedal, or the like could lead to an accident or damage equipment. 


 **Caution**


Connect the product properly according to the instructions. Failing to do so could lead to fire or an accident.  Forbidden

Do not sandwich cords between the seat railing or allow them to touch protrusions. Resulting breaks or shorts could lead to electric shock or fire. 

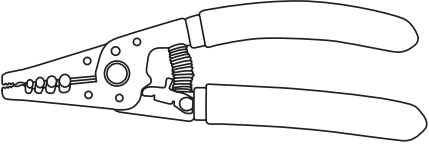
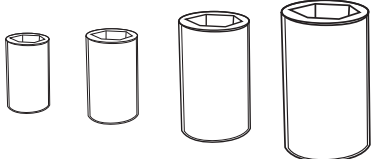

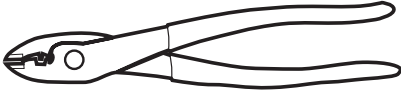
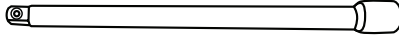
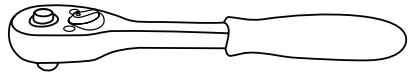
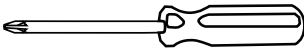
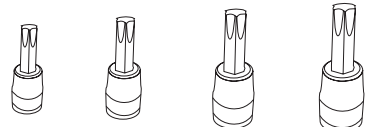
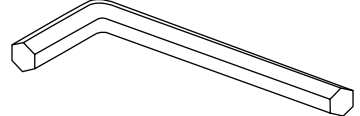
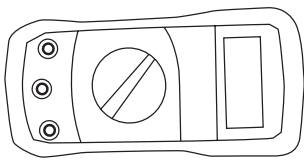
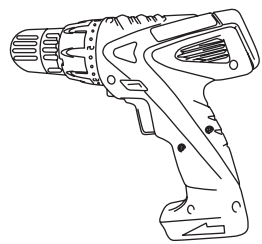
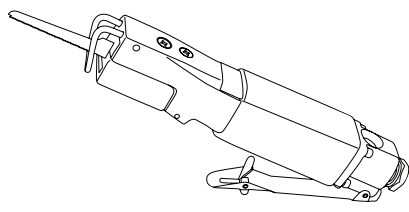
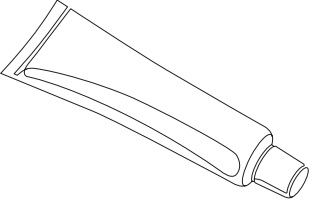
Do not block vents or heat sinks. Doing so could lead to fire or damage equipment. 

Use the accessories according to the instructions, and attach them securely. Failing to do so could lead to an accident or damage equipment.  Forbidden

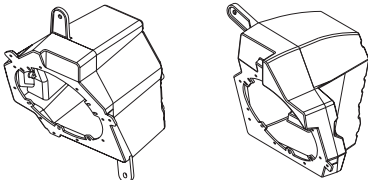
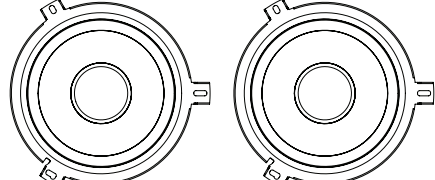
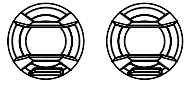
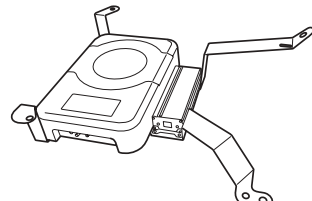
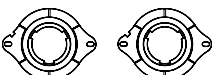
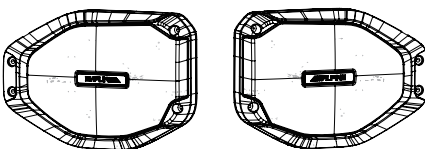
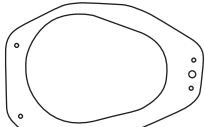


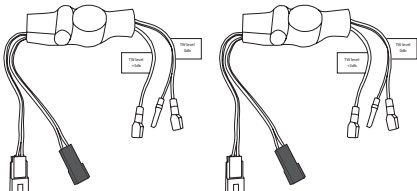
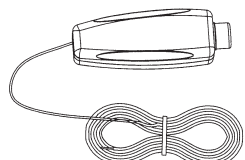
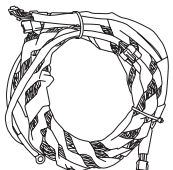
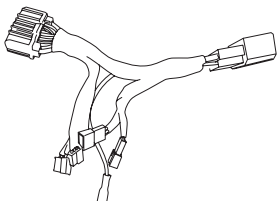
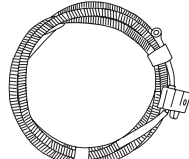

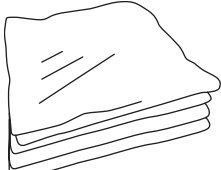
Do not install the product where it may be exposed to water or in a place with high levels of humidity or dust. Doing so could lead to fire or damage equipment.  Forbidden

The installation and wiring of this product requires specialized skills and experience. Have the product installed by an Alpine authorized dealer. 

Tools Required

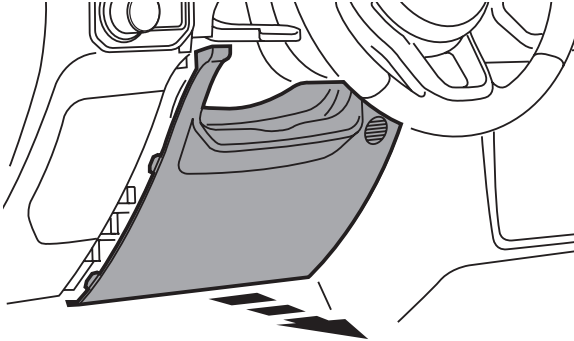
<p>Wire Strippers</p>	<p>Sockets: 7mm, 8mm, 10mm, 13mm</p>	<p>Panel Removal Tools</p>
		
<p>Wire Cutters</p>	<p>Extension</p>	<p>Ratchet</p>
		
<p>#2 Phillips Screwdriver</p>	<p>Torx T15, T20, T30, T50</p>	<p>5mm Allen Wrench</p>
		
<p>Digital Multimeter</p>	<p>Cordless Power Drill</p>	<p>Air saw or similar</p>
		
<p>Silicone</p>		
		

Accessory List

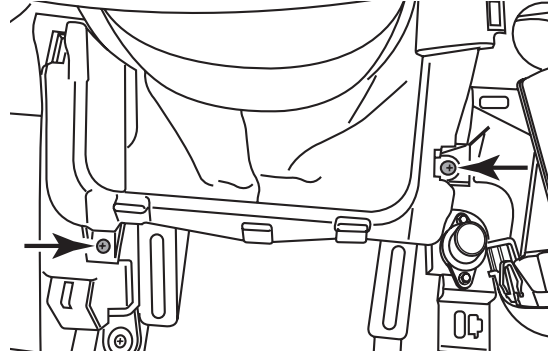
<p style="text-align: center;">Front speaker pods</p> 	<p style="text-align: center;">6.5" Woofers</p> 	<p style="text-align: center;">Tweeters</p> 
<p style="text-align: center;">Amplifier Assembly</p> 	<p style="text-align: center;">Tweeter Adaptors</p> 	<p style="text-align: center;">SPV-65-JLT</p> 
<p style="text-align: center;">Template</p> 	<p style="text-align: center;">Cable Ties (10)</p> 	<p style="text-align: center;">Replacement Bolts x 8</p> 
<p style="text-align: center;">Crossovers</p> 	<p style="text-align: center;">Bass Control Knob</p> 	<p style="text-align: center;">Main Harness</p> 
<p style="text-align: center;">T-Harness</p> 	<p style="text-align: center;">Power Cable</p> 	<p style="text-align: center;">RCA Adaptors</p> 
<p style="text-align: center;">Polyfill Sheets (4)</p> 		

Front speaker removal and installation

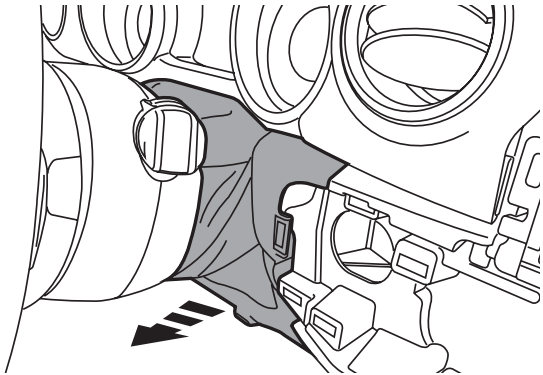
- 1 Unclip and remove the panel below the steering column.



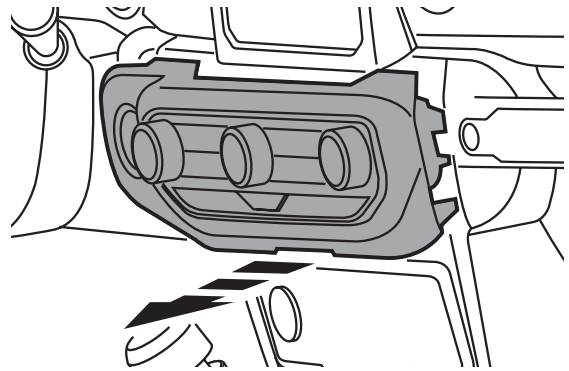
- 2 Remove the (2) Phillips screws exposed.



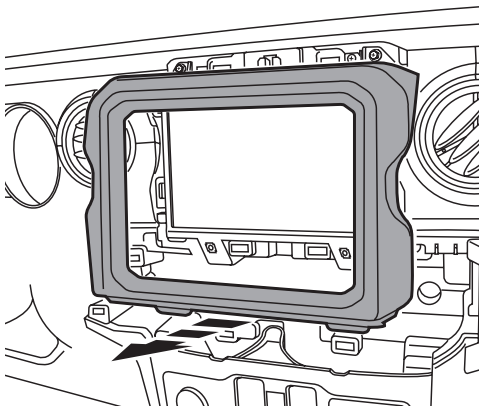
- 3 Unclip the steering column shroud then set aside.



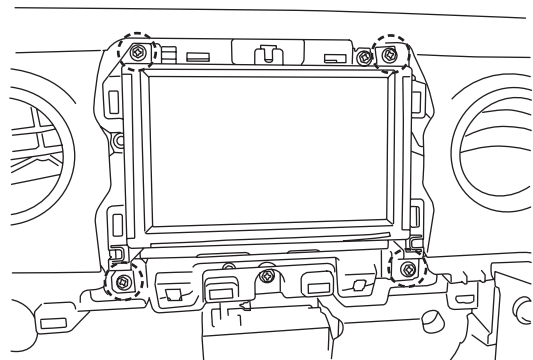
- 4 Unclip, unplug, and remove the climate control panel.



- 5 Remove the (2) Phillips screws securing the radio trim panel, then unclip and remove.

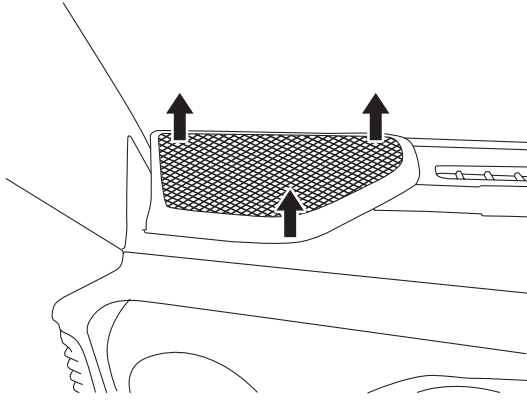


- 6 Extract the (4) 7mm screws from the factory radio, disconnect and remove it.

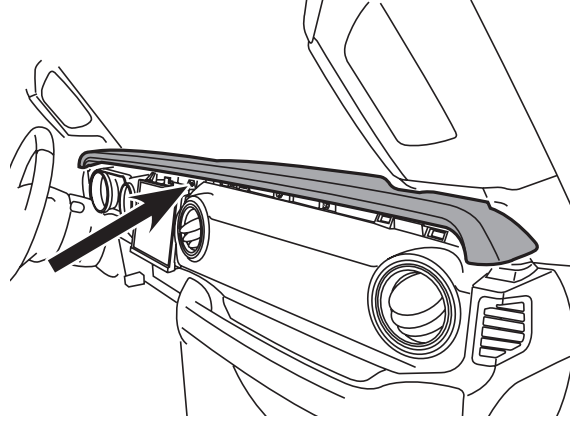


Front speaker removal and installation (continued)

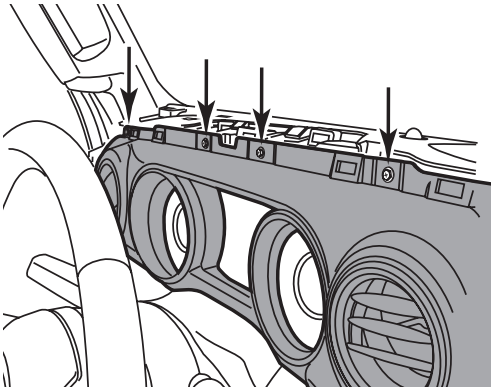
- 7 Using a panel removal tool, release the clips on the top dash speaker grilles and remove them.



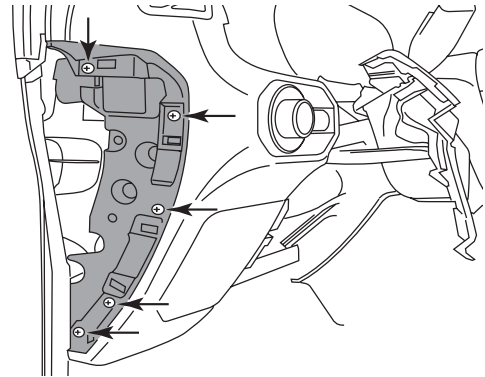
- 8 Remove (1) Phillips screw securing the dash pad, then unclip and remove.



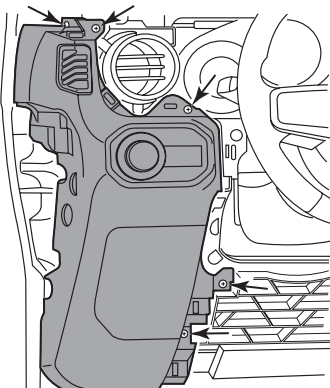
- 9 Remove the (4) Phillips screws securing the instrument panel on the left side, unclip and remove panel.



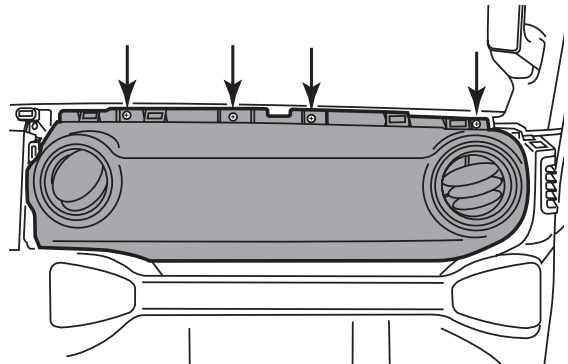
- 10 Remove panel on the left side of the dash then remove the (5) Phillips screws exposed.



- 11 Remove the (5) Phillips screws securing the left side dash panel, then unclip and remove.

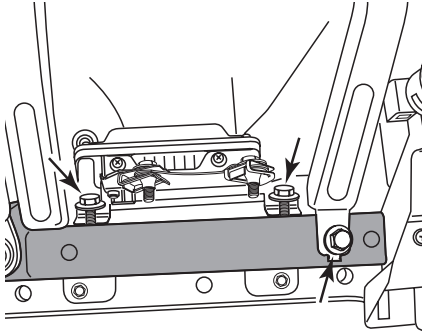


- 12 Remove the (4) screws securing the top of the air bag panel.

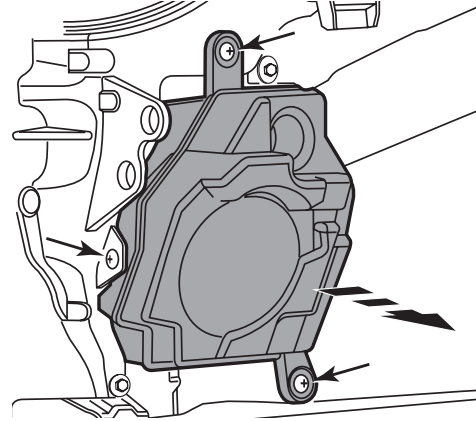


Front speaker removal and installation (continued)

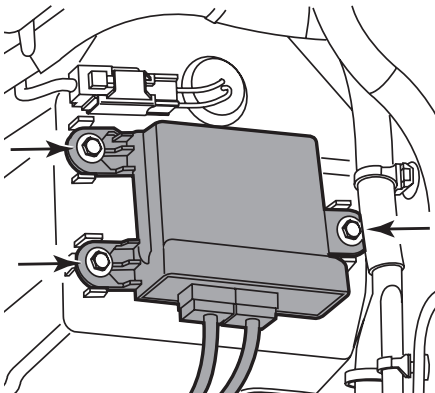
- 13** Remove the (4) 10mm screws and the (1) 8mm screw securing the dashboard brace. The brace only needs loosened to aid in removing the speaker pod in the next step.



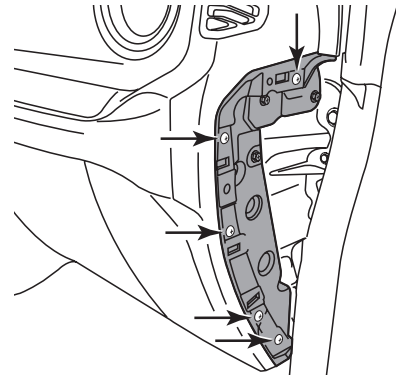
- 14** Remove the (3) Phillips screws securing the speaker pod, then unplug and remove the pod.



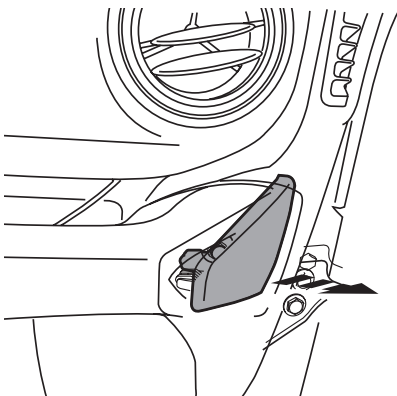
- 15** There is an electronic module attached to the back of the pod which must be removed and reused in kit assembly.



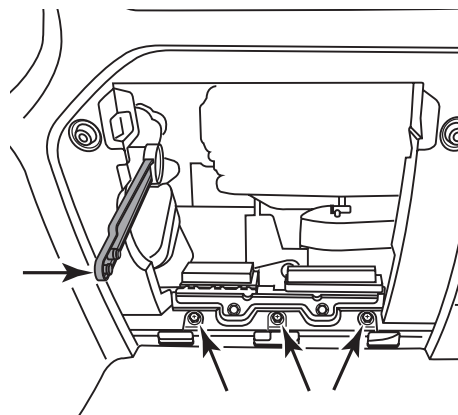
- 16** Open the passenger door and remove the panel on the right end of the dash. Remove the (5), Phillips screws exposed.



- 17** Pry outward in the bolt cover on the right end of the grab bar and remove the (2) 10mm bolts securing it to the dash.

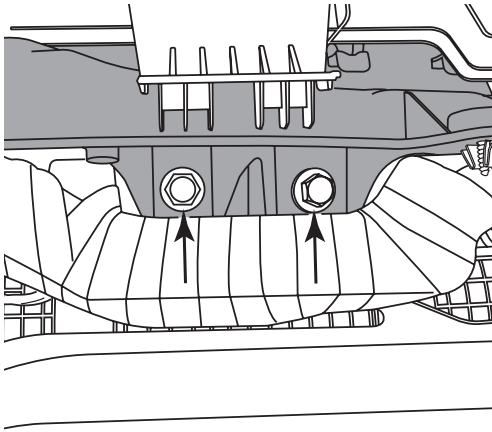


- 18** Remove the glovebox then remove the (3) Phillips screws exposed.

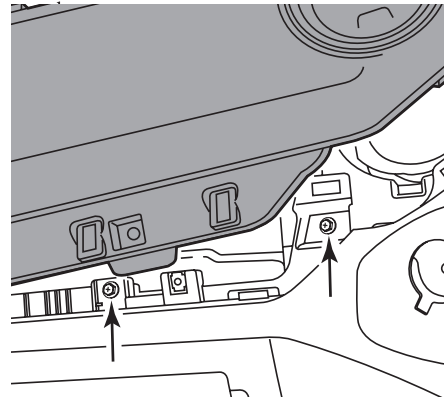


Front speaker removal and installation (continued)

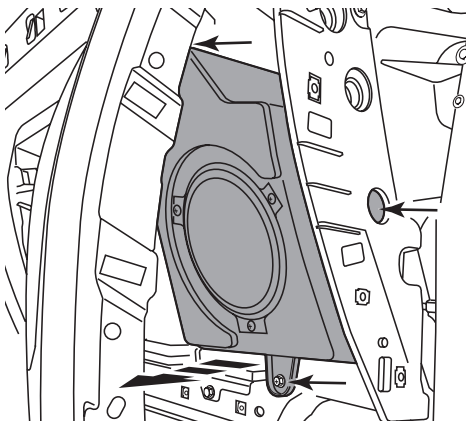
- 19** Looking up under the airbag assembly, remove the (2) 13mm, bolts that secure the back of the passenger side airbag.



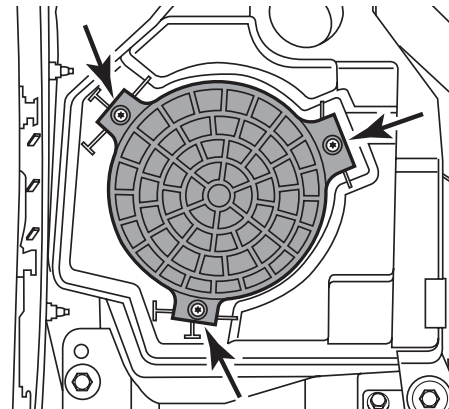
- 20** Unclip and slightly release the airbag panel, just enough to expose the (3) Phillips, screws securing the passenger side dash panel.



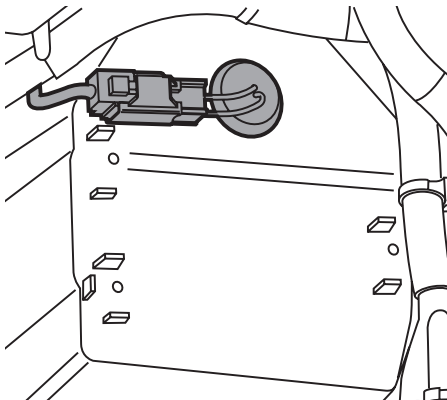
- 21** Carefully unclip and pull out on the dashboard panel enough to expose the speaker pod. Remove the (3) Phillips, screws securing the pod and remove.



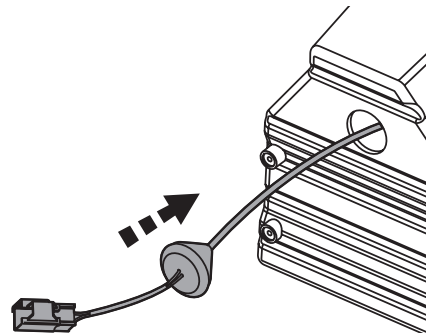
- 22** Remove the factory speakers from the speaker pods.



- 23** Remove the grommet and factory wiring from the speaker pods.

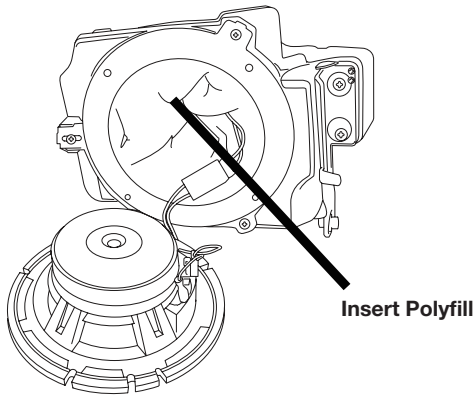


- 24** Insert the factory wire into the replacement speaker pods and pull grommet thru until it seats into the hole.

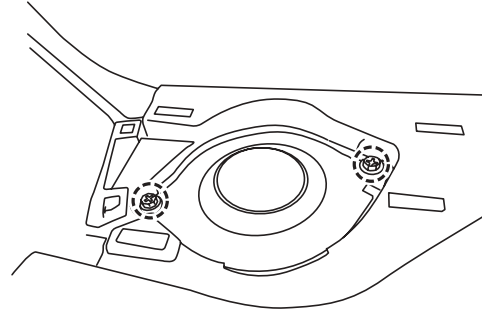


Front speaker removal and installation (continued)

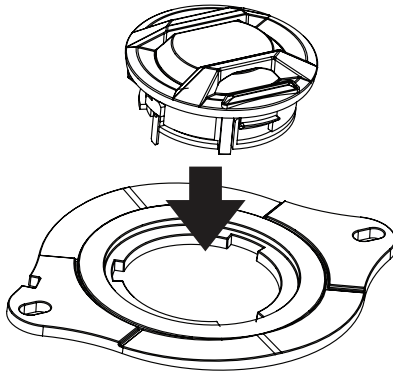
- 25** Insert (1) polyfill sheet into each speaker pod, connect and mount Speakers using factory screws from step 22 then reinstall speaker pods in reverse order and reassemble dash components to their original location.



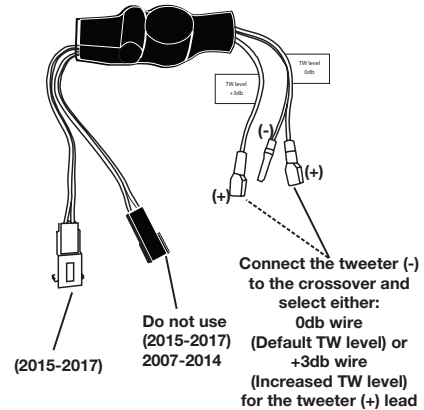
- 26** Extract (2) 7mm screws from each of the factory top dash speakers and remove them.



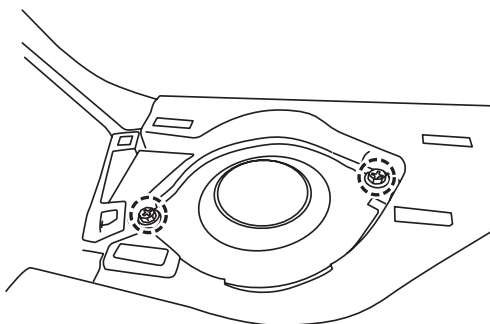
- 27** Firmly press tweeter into mounting adaptor plate.



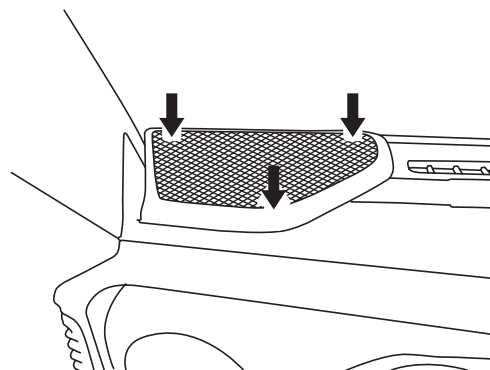
- 28** Connect crossover as shown. Note: it is recommended to use the red (+) lead when utilizing the OEM radio.



- 29** Connect tweeter to crossover and mount them using the factory screws.

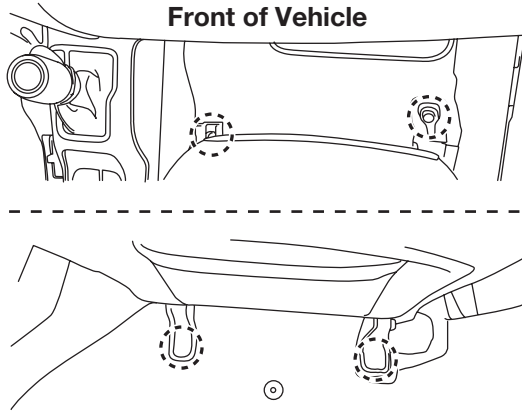


- 30** Align the factory tweeter grill clips and secure by firmly pressing downward.

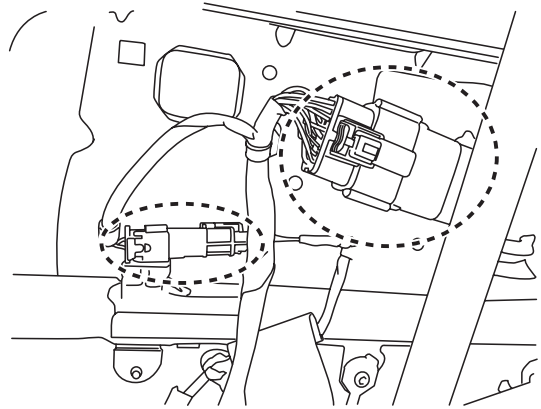


Sub Woofer/Amp Installation

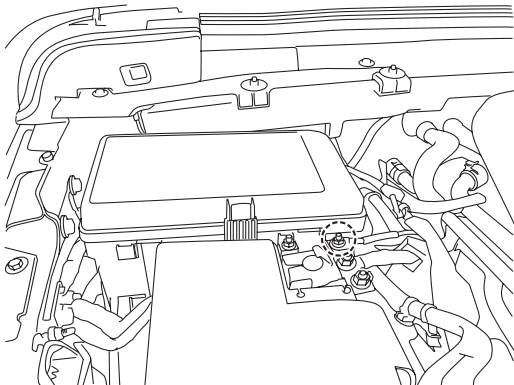
- 1 Extract (4) T50 Torx Screws from the passenger side seat.



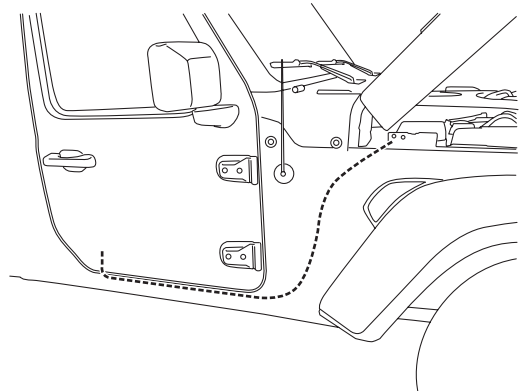
- 2 Tilt the passenger seat towards the back to reveal (2) connectors, disconnect and remove the seat.



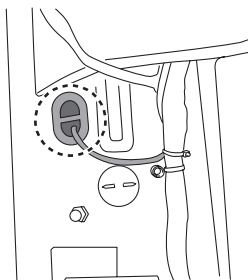
- 3 Connect the power cable to the Positive (+) battery terminal and route the cable down towards frame of the vehicle.



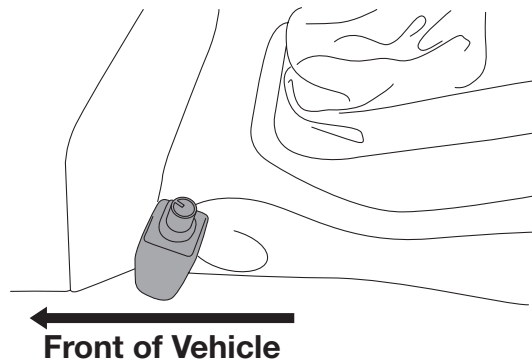
- 4 Route the power cable following the factory harness along the vehicle's frame and secure using supplied cable ties.



- 5 Route the Positive (+) power cable through the grommet under the carpet and pull the power cable from under the vehicle. **Note:** seal the grommet with silicone (not included) to prevent water from entering the cabin.

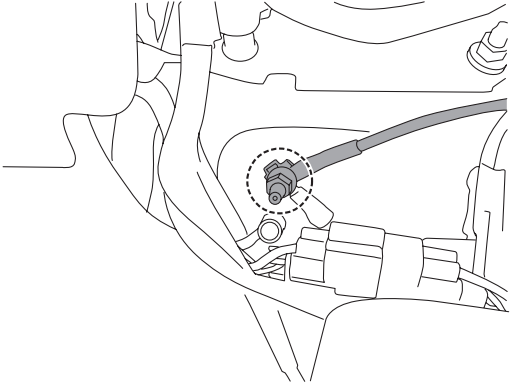


- 6 Mount the subwoofer level remote on the center console next to the gear shifter and route the cable to the passenger side seat. Plug 3.5mm plug into the bass knob input of the PWE-S8.

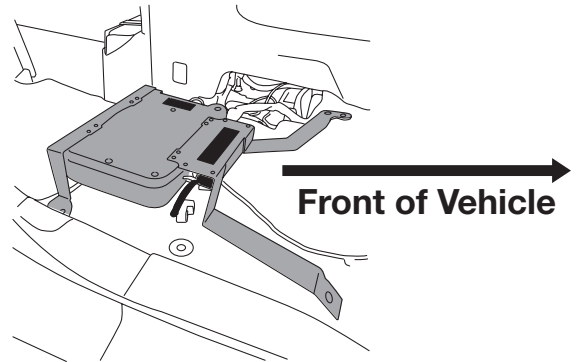


Sub Woofer/Amp Installation (continued)

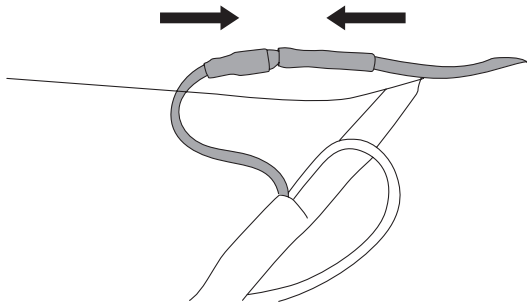
- 7 Remove 10mm nut and attach the negative (-) ground terminal to the factory ground stud below the center console.



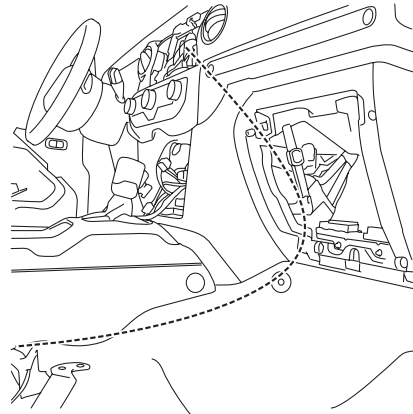
- 8 Connect the main harness to the amplifier assembly and align it to the seat mounting holes.



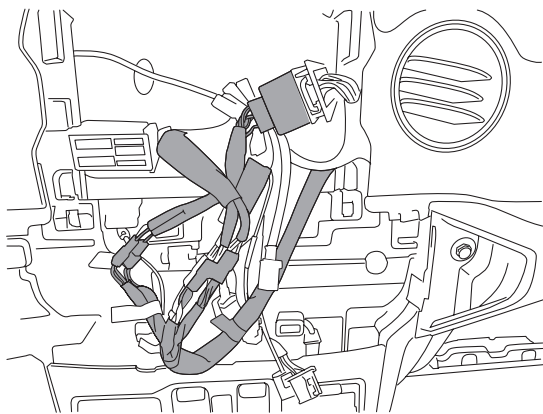
- 9 Connect the power cable to the main harness.



- 10 Route the main harness along the side of the center console to the radio location.

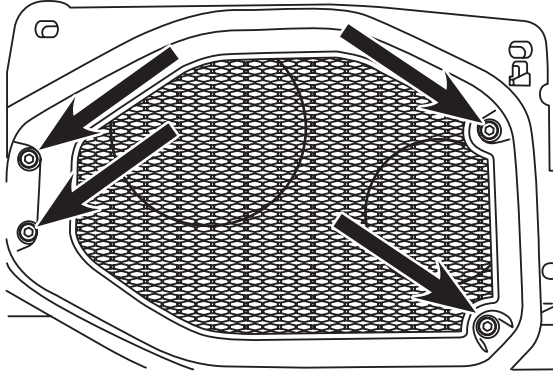


- 11 Connect the T-harness and the radio with either the Tharness or the RCA adaptors. Refer to page 15 and 16 for the correct system diagram. Return all removed components to their original location.

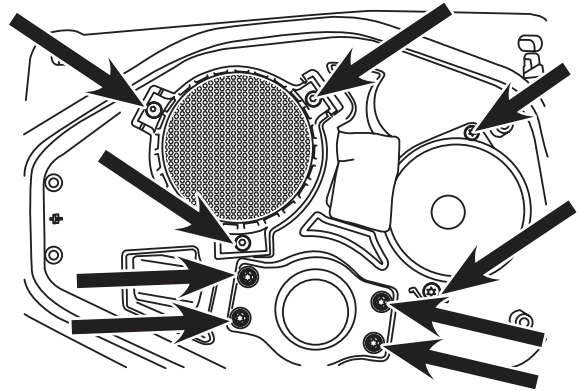


Rear Soundbar Speaker Removal & Installation

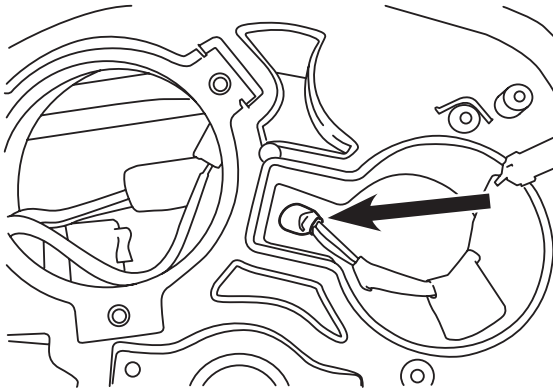
- 1 Extract the (4) 5mm, allen head, bolts and remove factory grills.



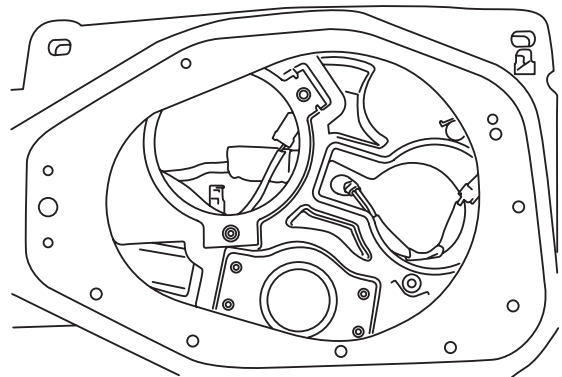
- 2 Extract the (5) T20, torx, screws from the speakers and the (4) T30, torx, screws from the port and remove.



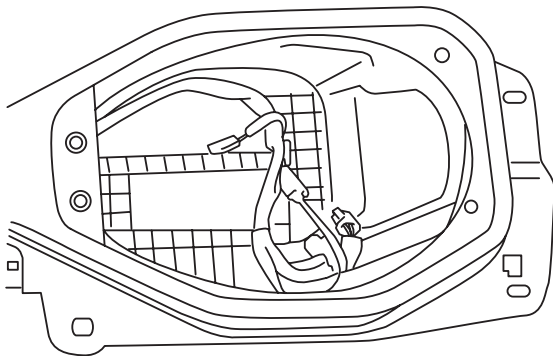
- 3 Remove grommet holding speaker wire in place and secure speaker wire out of the way.



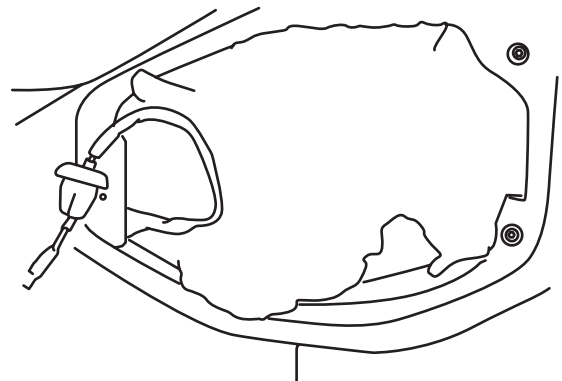
- 4 Use supplied template and mark area of each side for soundbar cutting.



- 5 With a reciprocating air saw or preferred cutting device, cut along the line from step 4.
Note: Be cautious when cutting not to cut thru the topside of the sound bar.

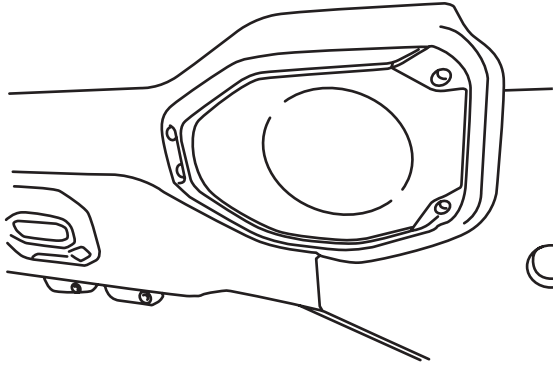


- 6 Fill the speaker cavities with supplied polyfil sheets.



Rear Soundbar Speaker Removal & Installation (continued)

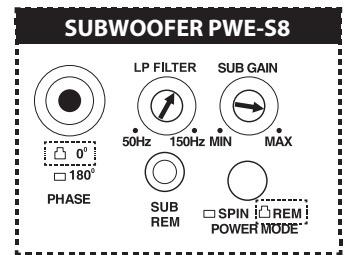
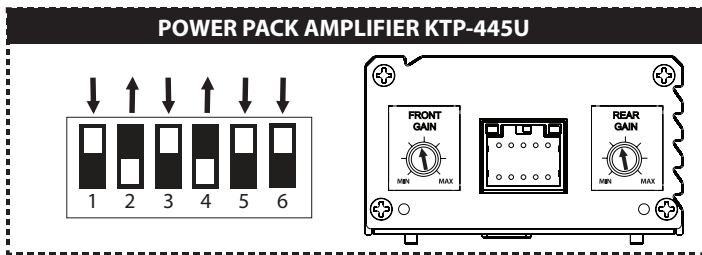
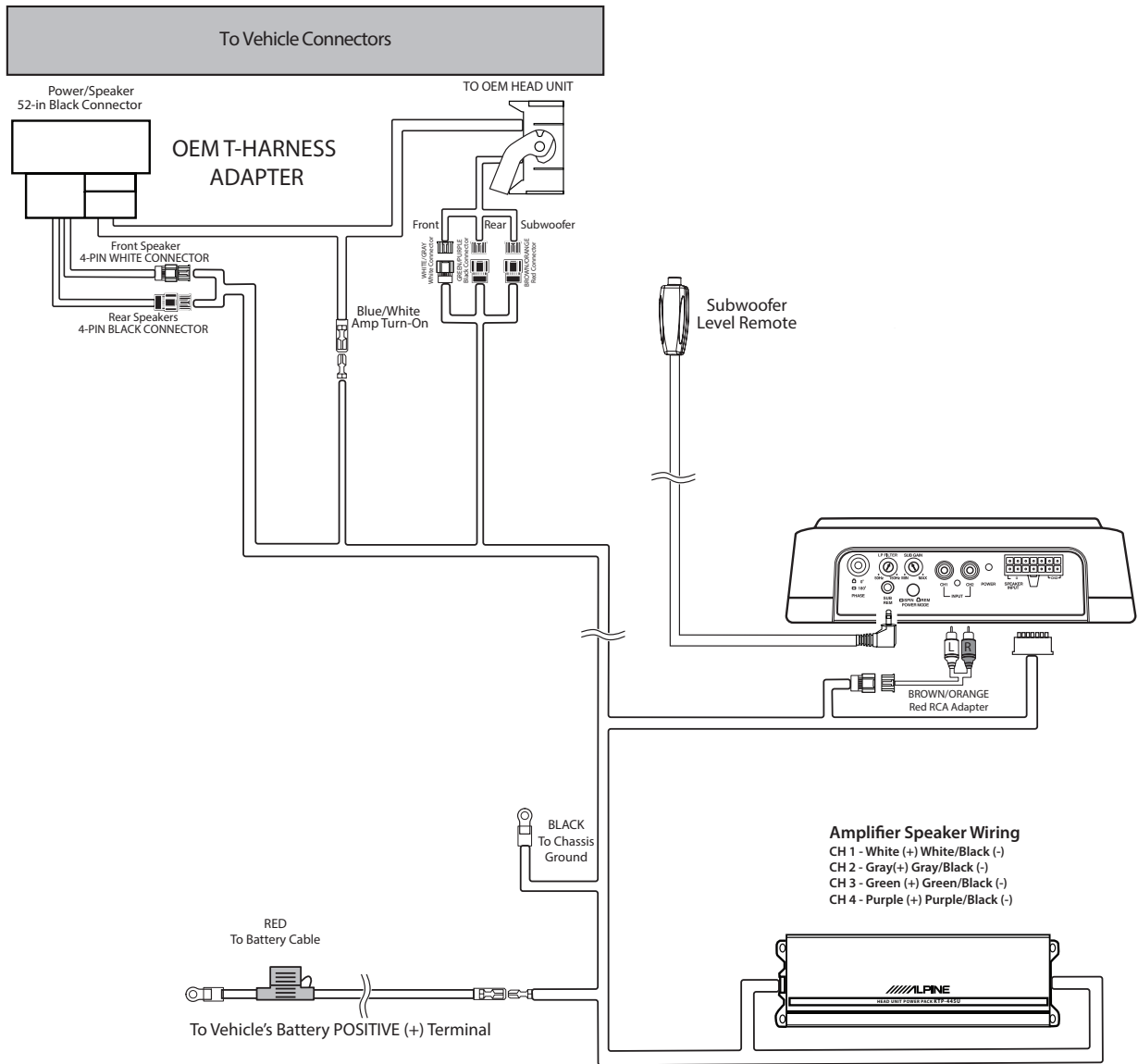
- 7 Plug in the speaker. Use the supplied replacement bolts (not the OEM 5mm allen heads) and mount the speaker in the bar.



Troubleshooting Guide

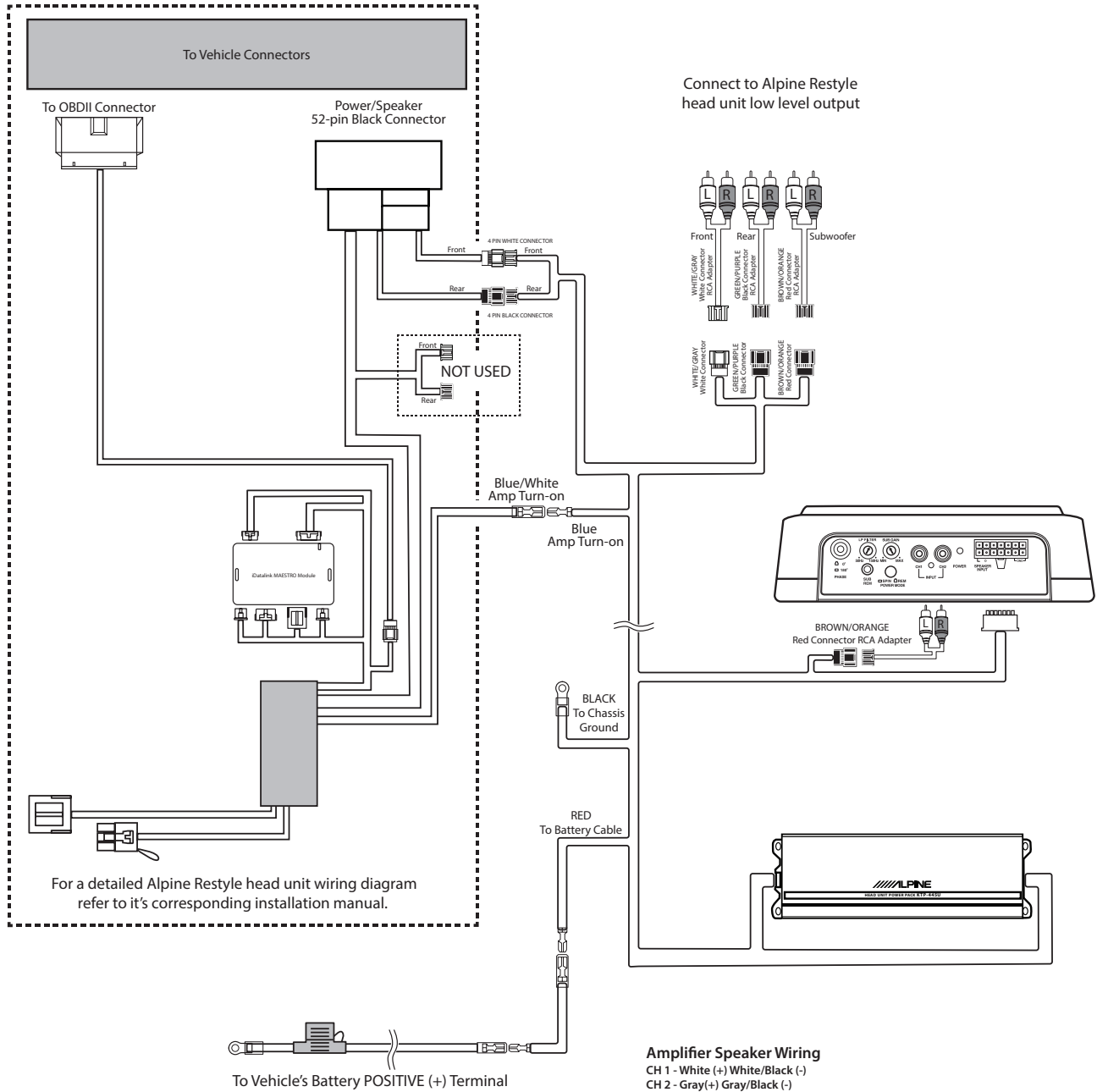
Symptom		Possible Cause	Remedy
1	System will not turn on	Missing or blown fuse at the battery	Insert or replace fuse
		Radio's Remote Turn-On wire may be disconnected.	Verify that Remote Turn-On wire is connected.
2	Volume is too loud with aftermarket headunit.	Speaker level out is connected at the T-Harness.	Ensure that the low level RCA adapters are used in aftermarket headunit system (refer to the corresponding wiring diagram).
		Amplifiers gain control has not been properly adjusted.	Refer to the corresponding system diagram.
3	Subwoofer sounds very low.	Gain level may be down to the lowest setting.	Adjust level to recommended setting (refer to the corresponding wiring diagram).
		Audio Phase may be reversed.	Ensure that the PHASE is set to 0°.
		RCA adaptor not installed	Plug, Orange, RCA adaptor into the connector near the PWE-S8 then plug RCA's into PWE-S8.
4	One of the speakers has no sound.	Disconnected pin or loose connection.	Check all connections to the speaker, loose pins, disconnected terminals etc..
5	Airbag light is on	Failed to disconnect the battery while working on the vehicle.	Disconnect the battery and re-connect after 5 minutes. If problem is not solved, the vehicle will have to be taken to a Jeep dealer.
6	System turns on only on radio source	Aftermarket Power Antenna wire is connected to amp	Connect the Remote Turn-On wire (Blue/White) to the Blue wire on the amplifier harness.

OEM Head Unit Wiring Diagram



NOTE: FOR BEST PERFORMANCE SET AMPLIFIER AND SUBWOOFER TO RECOMMENDED SETTINGS AS SHOWN ABOVE
Black squares indicate position of switches.

Alpine Restyle Head Unit Wiring Diagram



POWER PACK AMPLIFIER KTP-445U

FRONT GAIN: MIN, MAX
 REAR GAIN: MIN, MAX

Switch positions: 1 (black), 2 (white), 3 (black), 4 (white), 5 (black), 6 (white)

SUBWOOFER PWE-S8

LP FILTER: 50Hz, 150Hz, MIN, MAX
 SUB GAIN: MIN, MAX
 PHASE: 0°, 180°
 SUB REM: SPIN, REM
 POWER MODE: SPIN, REM

NOTE: FOR BEST PERFORMANCE SET AMPLIFIER AND SUBWOOFER TO RECOMMENDED SETTINGS AS SHOWN ABOVE
Black squares indicate position of switches.



LIMITED WARRANTY

ALPINE ELECTRONICS OF AMERICA, INC. ("Alpine"), is dedicated to quality craftsmanship and is pleased to offer this Warranty. We suggest that you read it thoroughly. Should you have any questions, please contact your Dealer or contact Alpine at one of the telephone numbers listed below.

●PRODUCTS COVERED:

This Warranty covers Car Audio Products and Related Accessories ("the product"). Products purchased in the Canada are covered only in the Canada. Products purchased in the U.S.A. are covered only in the U.S.A.

●LENGTH OF WARRANTY:

This Warranty is in effect for three years from the date of the first consumer purchase.

●WHO IS COVERED:

This Warranty only covers the original purchaser of the product, who must reside in the United States, Puerto Rico or Canada.

●WHAT IS COVERED:

This Warranty covers defects in materials or workmanship (parts and labor) in the product.

●WHAT IS NOT COVERED:

This Warranty does not cover the following:

- ① Damage occurring during shipment of the product to Alpine for repair (claims must be presented to the carrier).
- ② Damage caused by accident or abuse, including burned voice coils caused by over-driving the speaker (amplifier level is turned up and driven into distortion or clipping). Speaker mechanical failure (e.g. punctures, tears or rips). Cracked or damaged LCD panels. Dropped or damaged hard drives.
- ③ Damage caused by negligence, misuse, improper operation or failure to follow instructions contained in the Owner's manual.
- ④ Damage caused by act of God, including without limitation, earthquake, fire, flood, storms or other acts of nature. Any cost or expense related to the removal or reinstallation of the product.
- ⑤ Service performed by an unauthorized person, company or association.
- ⑥ Any product which has the serial number defaced, altered or removed.
- ⑦ Any product which has been adjusted, altered or modified without Alpine's consent.
- ⑧ Any product not distributed by Alpine within the United States, Puerto Rico or Canada.
- ⑨ **Any product not purchased from an Authorized Alpine Dealer.**

●HOW TO OBTAIN WARRANTY SERVICE:

- ① You are responsible for delivery of the product to an Authorized Alpine Service Center or Alpine for repair and for payment of any initial shipping charges. Alpine will, at its option, repair or replace the product with a new or reconditioned product without charge. If the repairs are covered by the warranty, and if the product was shipped to an Authorized Alpine Service Center or Alpine, Alpine will pay the return shipping charges.
- ② You should provide a detailed description of the problem(s) for which service is required.
- ③ You must supply proof of your purchase of the product.

- ④ You must package the product securely to avoid damage during shipment. To prevent lost packages it is recommended to use a carrier that provides a tracking service.

●HOW WE LIMIT IMPLIED WARRANTIES:

ANY IMPLIED WARRANTIES INCLUDING FITNESS FOR USE AND MERCHANTABILITY ARE LIMITED IN DURATION TO THE PERIOD OF THE EXPRESS WARRANTY SET FORTH ABOVE AND NO PERSON IS AUTHORIZED TO ASSUME FOR ALPINE ANY OTHER LIABILITY IN CONNECTION WITH THE SALE OF THE PRODUCT.

●HOW WE EXCLUDE CERTAIN DAMAGES:

ALPINE EXPRESSLY DISCLAIMS LIABILITY FOR INCIDENTAL AND CONSEQUENTIAL DAMAGES CAUSED BY THE PRODUCT. THE TERM "INCIDENTAL DAMAGES" REFERS TO EXPENSES OF TRANSPORTING THE PRODUCT TO THE ALPINE SERVICE CENTER, LOSS OF THE ORIGINAL PURCHASER'S TIME, LOSS OF THE USE OF THE PRODUCT, BUS FARES, CAR RENTALS OR OTHER COSTS RELATING TO THE CARE AND CUSTODY OF THE PRODUCT. THE TERM "CONSEQUENTIAL DAMAGES" REFERS TO THE COST OF REPAIRING OR REPLACING OTHER PROPERTY WHICH IS DAMAGED WHEN THIS PRODUCT DOES NOT WORK PROPERLY. THE REMEDIES PROVIDED UNDER THIS WARRANTY ARE EXCLUSIVE AND IN LIEU OF ALL OTHERS.

●HOW STATE/PROVINCIAL LAW RELATES TO THE WARRANTY:

This Warranty gives you specific legal rights, and you may also have other rights which vary from state to state and province to province. In addition, some states/provinces do not allow limitations on how long an implied warranty lasts, and some do not allow the exclusion or limitation of incidental or consequential damages. Accordingly, limitations as to these matters contained herein may not apply to you.

●IN CANADA ONLY:

This Warranty is not valid unless your Alpine car audio product has been installed in your vehicle by an Authorized Installation Center, and this warranty stamped upon installation by the installation center.

●HOW TO CONTACT CUSTOMER SERVICE:

Should the product require service, please call the following number for your nearest Authorized Alpine Service Center.

CUSTOMER SERVICE 1-800-421-2284, ext. 860307
TECH SUPPORT 1-800-TECH-101 (1-800-832-4101)

Or visit our website at: <http://www.alpine-usa.com>

ALPINE ELECTRONICS OF AMERICA, INC., 19145 Gramercy Place, Torrance, California 90501, U.S.A.

Do not send products to this address.

Call the toll free telephone number or visit the website to locate a service center.



GARANTIE LIMITÉE

Fidèle à son engagement de ne fournir que des produits de qualité, ALPINE ELECTRONICS OF AMERICA, INC. («Alpine») est heureuse de vous offrir cette garantie. Nous vous suggérons de la lire attentivement et en entier. Si vous avez la moindre question, veuillez contacter l'un de nos concessionnaires ou appeler directement Alpine aux numéros listés ci-dessous.

●PRODUITS COUVERTS PAR LA GARANTIE:

Cette garantie couvre les produits audio/visuel de voiture et les accessoires connexes ("le produit"). Elle ne couvre les produits que dans le pays où ils ont été achetés.

●DURÉE DE LA GARANTIE

Cette garantie d'une durée de trois ans entre en vigueur le jour où le consommateur achète le produit.

●PERSONNES PROTÉGÉES PAR LA GARANTIE

Seul l'acheteur original du produit, s'il réside aux États-Unis, à Porto Rico ou au Canada, peut se prévaloir de la garantie.

●CE QUI EST COUVERT

Cette garantie couvre tous les défauts de matériaux et de fabrication (pièces et main d'œuvre) du produit.

●CE QUI N'EST PAS COUVERT

Cette garantie ne couvre pas ce qui suit:

- ① Les dommages survenus durant le transport des produits renvoyés à Alpine pour être réparés (les réclamations doivent être adressées au transporteur);
- ② Les dégâts provoqués par un accident ou une mauvaise utilisation, y compris des bobines acoustiques grillées suite à une surexcitation des enceintes (augmentation du niveau de l'amplificateur jusqu'à atteindre un effet de distorsion ou d'écrtage), une défaillance mécanique des enceintes (perforations, déchirures ou fentes), panneaux LCD fissurés ou endommagés, disques durs endommagés ou ayant subi une chute.
- ③ Les dommages dus à la force majeure, notamment aux tremblements de terre, au feu, aux inondations, aux tempêtes ou aux autres cataclysmes naturels;
- ④ Les frais ou les dépenses relatifs à l'enlèvement ou à la réinstallation du produit;
- ⑤ Les services rendus par une personne, physique ou morale non autorisée;
- ⑥ Les produits dont le numéro de série a été effacé, modifié ou retiré;
- ⑦ Les produits qui ont été adaptés ou modifiés sans le consentement d'Alpine;
- ⑧ Les produits qui ne sont pas distribués par Alpine aux États-Unis, à Porto Rico ou au Canada;
- ⑨ Les produits qui n'ont pas été achetés par l'entremise d'un concessionnaire Alpine autorisé;

●COMMENT SE PRÉVALOIR DE LA GARANTIE

- ① Il vous faut remettre le produit nécessitant des réparations à un centre de service autorisé Alpine ou à Alpine même et en assumer les frais de transport. Alpine a le choix entre réparer le produit ou le remplacer par un produit neuf ou révisé, le tout sans frais pour vous. Si les réparations sont couvertes par la garantie et si le produit a été envoyé à un centre de service Alpine ou à Alpine, le paiement des frais de réexpédition du produit incombe Alpine.
- ② Vous devez donner une description détaillée des problèmes qui sont à l'origine de votre demande de réparation.
- ③ Vous devez joindre la preuve de votre achat du produit.
- ④ Vous devez emballer soigneusement le produit pour éviter tout dommage durant son transport. Pour éviter la perte de l'envoi, il est conseillé de choisir un transporteur qui propose un service de suivi des envois.

●LIMITATION DES GARANTIES TACITES

LA DURÉE DE TOUTES LES GARANTIES TACITES, Y COMPRIS LA GARANTIE D'ADAPTATION À L'UTILISATION ET LA GARANTIE DE QUALITÉ LOYALE ET MARCHANDE, EST LIMITÉE À CELLE DE LA GARANTIE EXPRESSE DÉTERMINÉE CI-DESSUS. PERSONNE N'EST AUTORISÉ À ENGAGER AUTREMENT LA RESPONSABILITÉ D'ALPINE EN VERTU DE LA VENTE D'UN PRODUIT.

●EXCLUSIONS DE LA GARANTIE

ALPINE STIPULE EXPRESSÉMENT QU'ELLE N'EST PAS RESPONSABLE DES DOMMAGES-INTÉRÊTS ET DOMMAGES INDIRECTS PROVOQUÉS PAR LE PRODUIT. LES DOMMAGES-INTÉRÊTS SONT LES FRAIS DE TRANSPORT DU PRODUIT VERS UN CENTRE DE SERVICE ALPINE, LA PERTE DE TEMPS DE L'ACHETEUR ORIGINAL, LA PERTE D'UTILISATION DU PRODUIT, LES BILLETS D'AUTOBUS, LA LOCATION DE VOITURES ET TOUS LES AUTRES FRAIS LIÉS À LA GARDE DU PRODUIT. LES DOMMAGES INDIRECTS SONT LES FRAIS DE RÉPARATION OU DE REMPLACEMENT D'AUTRES BIENS ENDOMMAGÉS SUITE AU MAUVAIS FONCTIONNEMENT DU PRODUIT. LES RECOURS PRÉVUS PAR LES PRÉSENTES EXCLUENT ET REMPLACENT TOUTE AUTRE FORME DE RECOURS.

●LIEN ENTRE LA GARANTIE ET LA LOI

La garantie vous donne des droits spécifiques, mais vous pouvez aussi jouir d'autres droits, qui varient d'un état ou d'une province à l'autre. En outre, certains états et certaines provinces interdisent de limiter la durée des garanties tacites ou d'exclure les dommages accessoires ou indirects. Dans ce cas, les limites et les exclusions de la garantie peuvent ne pas s'appliquer à vous.

●CLAUSE APPLICABLE AU CANADA SEULEMENT

Pour que la garantie soit valable, il faut qu'un centre d'installation autorisé ait installé le système audio pour l'auto dans votre véhicule et qu'il ait ensuite apposé son cachet sur la garantie.

●NUMÉROS D'APPEL DU SERVICE À LA CLIENTÈLE

Si vous avez besoin de nos services, veuillez appeler Alpine aux numéros ci-dessous pour le centre de service autorisé Alpine le plus proche.

SERVICE À LA CLIENTÈLE 1-800-421-2284, poste 860307
ASSISTANCE TECHNIQUE 1-800-TECH-101 (1-800-832-4101)

Ou visitez notre site Web à l'adresse
<http://www.alpine-usa.com>

ALPINE ÉLECTRONIQUE DE L'AMÉRIQUE, INC., 19145 Gramercy Place, Torrance, California 90501, U.S.A.

N'envoyez pas de produits à cette adresse.

Appelez notre numéro gratuit ou visitez notre site Web si vous recherchez un centre de service.



Notification

Congratulations on your purchase of an Alpine Restyle System! Alpine Restyle products are covered under a 3-year Manufacturer's limited warranty from the date of the first consumer purchase. **PLEASE NOTE THAT THIS PACKAGE INSERT IS NOT THE LIMITED WARRANTY ITSELF.** To read and understand the Limited Warranty, please see the Limited Warranty which is printed in the owner's manual and also may be found at alpine-usa.com/support.

We encourage you to register this product on Alpine's website at www.alpine-usa.com/registration at the time it is purchased and installed.

We are here to help with any questions you have about your Alpine Restyle product. For any questions, please contact us at 1-800-832-4101, Monday - Friday, 7 AM - 5 PM PST.

We appreciate your support of Alpine Electronics.