



IMPORTANT NOTICE!
PLEASE READ FIRST BEFORE INSTALLING SPEAKERS

Congratulations on your purchase of high quality speakers from Alpine. Your listening satisfaction is important to us. In order to maximize and maintain peak speaker performance the following guidelines are being provided. Please read this notice carefully before operating the speakers.

- 1. Do not over-drive the amplifier. Over-driving the amplifier will result in distortion or clipping and can damage any speaker.**
- 2. Make sure gain controls are properly set. (Follow instructions in amplifier owner's manual.)**
- 3. Make sure that the speaker is properly rated for the amplifier.**
- 4. Make sure that volume, bass, treble, equalization or crossover settings do not cause the amplifier to over-drive.**

Failure to follow these guidelines may result in burned or damaged speaker voice coils which will void your warranty.

If further assistance is necessary, please contact your Alpine authorized dealer.

ALPINE

Driving Mobile Media Innovation

SPE-6090

COAXIAL 2-WAY SPEAKER SYSTEM

HAUT-PARLEURS 2 VOIES COAXIAL

300 Watts Peak

75 Watts RMS



6" x 9" (16cm x 24cm)



■ FEATURE ■ CARACTERISTIQUES

SPE-6090

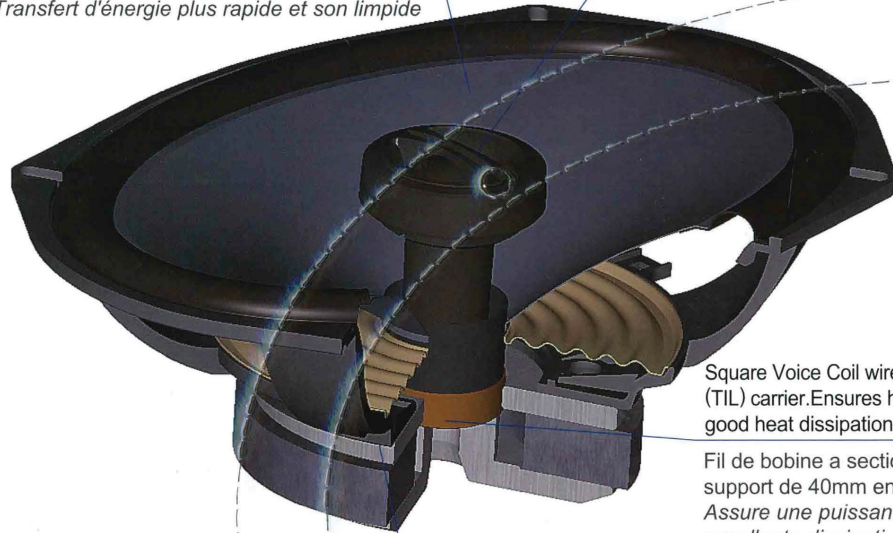
16x24cm (6x9") COAXIAL 2-WAY SPEAKER SYSTEM
HAUT-PARLEUR ELLIPTIQUE 16x24cm (6x9") A 2 VOIES COAXIALES

High Mica ratio PP injection Cone.
Faster energy transfer & bright sound.

Membrane en PP injecté avec forte proportion de Mica
Transfert d'énergie plus rapide et son limpide

25mm Wide-range Silk Dome Midrange with selected High Pass Capacitor.
Detailed and smooth sound.

Dôme de médiums à large bande de 25mm en soie avec filtre passe-haut intégré.
Son fluide et précis.



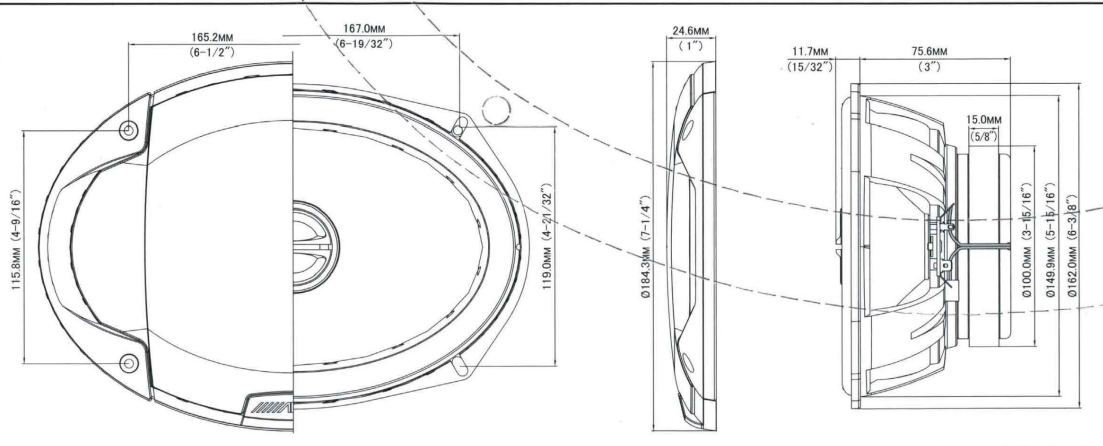
Square Voice Coil wire on 40mm Glass Fibre (TIL) carrier. Ensures high power handling and good heat dissipation.

Fil de bobine à section carrée monté sur support de 40mm en fibre de verre (TIL). Assure une puissance élevée et une excellente dissipation calorifique.

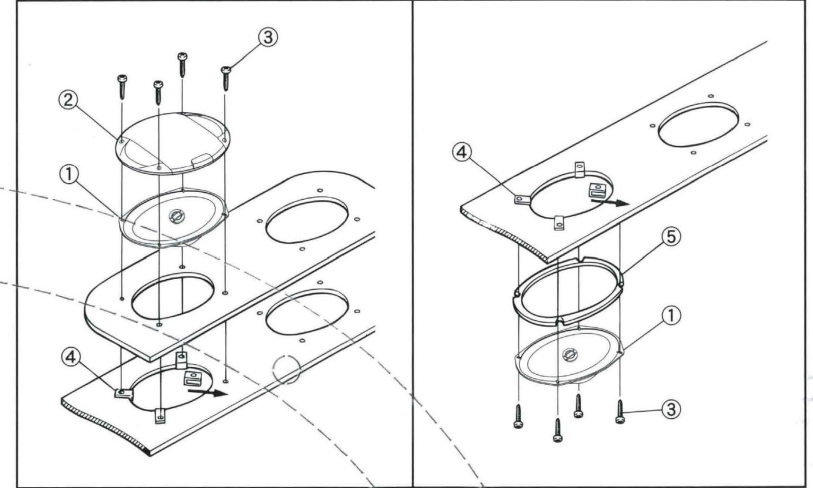
Long excursion design, Long voice coil and extra large spider.
Rich bass and no break-up at high volume levels.

Bobine à fort débattement Longue bobine mobile et araignée extra large.
Basses riches et profondes, aucune coupure même à volume élevé.

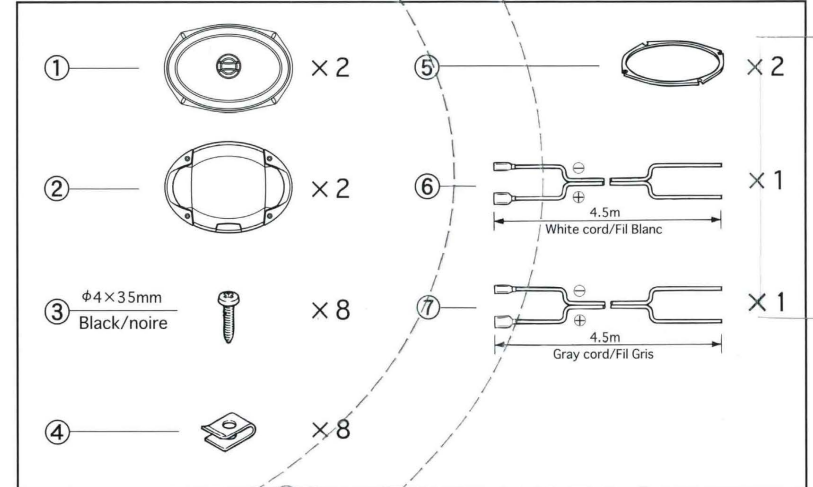
■ EXTERNAL DIMENSIONS ■ DIMENSIONS EXTERNES



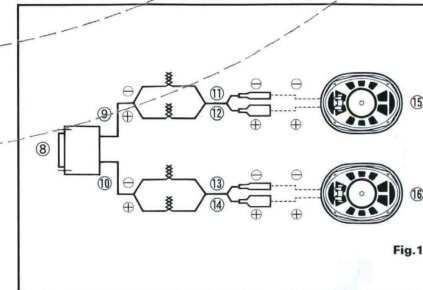
■ INSTALLATION ■ INSTALLATION



■ CONTENTS ■ CONTENU



■ CONNECTION DIAGRAM ■ DIAGRAMME DE CONNEXION



● WIRING CONNECTION (Fig.1)
Please watch for polarity.

⑧ Alpine Car Stereo	⑬ Gray/Black
⑨ Left	⑭ Gray
⑩ Right	⑮ Left Speaker (4 ohms)
⑪ White/Black	⑯ Right Speaker (4 ohms)
⑫ White	

● CONNEXIONS DE CÂBLAGE (Fig.1)
Faire attention à la polarité

⑧ Auto-éreo Alpine	⑬ Gris / noire
⑨ Gauche	⑭ Gris
⑩ Droit	⑮ Haut-parleur gauche (4 ohms)
⑪ Blanc / noire	⑯ Haut-parleur droit (4 ohms)
⑫ Blanc	

SPE-6090

MADE IN VIETNAM FABRIQUE EN VIETNAM
DESIGNED IN USA CONÇU AUX ETATS-UNIS

1 PAIR



LIMITED WARRANTY

ALPINE ELECTRONICS OF AMERICA, INC. AND ALPINE OF CANADA INC. ("Alpine"), are dedicated to quality craftsmanship and are pleased to offer this Warranty. We suggest that you read it thoroughly. Should you have any questions, please contact your Dealer or contact Alpine at one of the telephone numbers listed below.

● PRODUCTS COVERED:

This Warranty covers Car Audio Products and Related Accessories ("the product"). Products purchased in the Canada are covered only in the Canada. Products purchased in the U.S.A. are covered only in the U.S.A.

● LENGTH OF WARRANTY:

This Warranty is in effect for one year from the date of the first consumer purchase.

● WHO IS COVERED:

This Warranty only covers the original purchaser of the product, who must reside in the United States, Puerto Rico or Canada.

● WHAT IS COVERED:

This Warranty covers defects in materials or workmanship (parts and labor) in the product.

● WHAT IS NOT COVERED:

This Warranty does not cover the following:

- ① Damage occurring during shipment of the product to Alpine for repair (claims must be presented to the carrier).
- ② Damage caused by accident or abuse, including burned voice coils caused by over-driving the speaker (amplifier level is turned up and driven into distortion or clipping). Speaker mechanical failure (e.g. punctures, tears or rips). Cracked or damaged LCD panels. Dropped or damaged hard drives.
- ③ Damage caused by negligence, misuse, improper operation or failure to follow instructions contained in the Owner's manual.
- ④ Damage caused by act of God, including without limitation, earthquake, fire, flood, storms or other acts of nature.
Any cost or expense related to the removal or reinstallation of the product.
- ⑤ Service performed by an unauthorized person, company or association.
- ⑥ Any product which has the serial number defaced, altered or removed.
- ⑦ Any product which has been adjusted, altered or modified without Alpine's consent.
- ⑧ Any product not distributed by Alpine within the United States, Puerto Rico or Canada.
- ⑨ Any product not purchased from an Authorized Alpine Dealer.

● HOW TO OBTAIN WARRANTY SERVICE:

- ① You are responsible for delivery of the product to an Authorized Alpine Service Center or Alpine for repair and for payment of any initial shipping charges. Alpine will, at its option, repair or replace the product with a new or reconditioned product without charge. If the repairs are covered by the warranty, and if the product was shipped to an Authorized Alpine Service Center or Alpine, Alpine will pay the return shipping charges.
- ② You should provide a detailed description of the problem(s) for which service is required.

- ③ You must supply proof of your purchase of the product.
- ④ You must package the product securely to avoid damage during shipment. To prevent lost packages it is recommended to use a carrier that provides a tracking service.

● HOW WE LIMIT IMPLIED WARRANTIES:

ANY IMPLIED WARRANTIES INCLUDING FITNESS FOR USE AND MERCHANTABILITY ARE LIMITED IN DURATION TO THE PERIOD OF THE EXPRESS WARRANTY SET FORTH ABOVE AND NO PERSON IS AUTHORIZED TO ASSUME FOR ALPINE ANY OTHER LIABILITY IN CONNECTION WITH THE SALE OF THE PRODUCT.

● HOW WE EXCLUDE CERTAIN DAMAGES:

ALPINE EXPRESSLY DISCLAIMS LIABILITY FOR INCIDENTAL AND CONSEQUENTIAL DAMAGES CAUSED BY THE PRODUCT. THE TERM "INCIDENTAL DAMAGES" REFERS TO EXPENSES OF TRANSPORTING THE PRODUCT TO THE ALPINE SERVICE CENTER, LOSS OF THE ORIGINAL PURCHASER'S TIME, LOSS OF THE USE OF THE PRODUCT, BUS FARES, CAR RENTALS OR OTHERS COSTS RELATING TO THE CARE AND CUSTODY OF THE PRODUCT. THE TERM "CONSEQUENTIAL DAMAGES" REFERS TO THE COST OF REPAIRING OR REPLACING OTHER PROPERTY WHICH IS DAMAGED WHEN THIS PRODUCT DOES NOT WORK PROPERLY. THE REMEDIES PROVIDED UNDER THIS WARRANTY ARE EXCLUSIVE AND IN LIEU OF ALL OTHERS.

● HOW STATE/PROVINCIAL LAW RELATES TO THE WARRANTY:

This Warranty gives you specific legal rights, and you may also have other rights which vary from state to state and province to province. In addition, some states/provinces do not allow limitations on how long an implied warranty lasts, and some do not allow the exclusion or limitation of incidental or consequential damages. Accordingly, limitations as to these matters contained herein may not apply to you.

● IN CANADA ONLY:

This Warranty is not valid unless your Alpine car audio product has been installed in your vehicle by an Authorized Installation Center, and this warranty stamped upon installation by the installation center.

● HOW TO CONTACT CUSTOMER SERVICE:

Should the product require service, please call the following number for your nearest Authorized Alpine Service Center.

**CAR AUDIO 1-800-ALPINE-1 (1-800-257-4631)
NAVIGATION 1-888-NAV-HELP (1-888-628-4357)**

Or visit our website at; <http://www.alpine-usa.com>

ALPINE ELECTRONICS OF AMERICA, INC., 19145 Gramercy Place, Torrance, California 90501, U.S.A.

ALPINE ELECTRONICS OF CANADA, INC., 777 Supertest Road, Toronto, Ontario M3J 2M9, Canada

Do not send products to these addresses.

Call the toll free telephone number or visit the website to locate a service center.



Thank you for choosing Alpine for your car audio equipment needs. Our goal is to produce the best audio/video/navigation products in the world and hope your expectations are met.

Please take a moment to protect your purchase by registering your product now at the following address: www.alpine-usa.com/registration. You will be informed of product and software updates (if applicable), special promotions, and news about Alpine. Also, by registering your product, you will automatically be entered for a chance to win various prizes such as gift cards, Alpine products, and/or a complete system.

We look forward to continue serving you in the future.

Sincerely,

The Alpine Team

French

Nous vous remercions d'avoir porté votre choix sur un équipement audio automobile Alpine. Notre principal objectif est de fabriquer les meilleurs produits audio, vidéo et de navigation au monde afin de répondre aux exigences de nos clients.

Veuillez prendre quelques instants pour sécuriser votre achat en enregistrant votre produit à l'adresse suivante : www.alpine-usa.com/registration. Vous serez tenu informé des nouveaux produits, des mises à jour logicielles (le cas échéant), des promotions spéciales et des informations concernant Alpine. L'enregistrement de votre produit vous donne par ailleurs la possibilité de gagner des dizaines de cadeaux, tels que chèques-cadeaux et articles Alpine, ainsi qu'un système complet.

Nous espérons que nos produits vous donneront entièrement satisfaction.

Cordialement,

L'équipe Alpine

Spanish

Gracias por elegir Alpine para las necesidades de equipamiento de audio de su vehículo. Nuestro objetivo es fabricar los mejores productos de audio/ vídeo/navegación del mundo y esperamos poder cumplir sus expectativas.

Dedique unos momentos a proteger su compra: registre ahora su producto en la siguiente dirección: www.alpine-usa.com/registration. Recibirá información de novedades sobre el producto y actualizaciones de software (si se producen), promociones especiales y noticias de última hora de Alpine. Asimismo, si registra su producto, entrará automáticamente en el sorteo de diversos premios, como tarjetas de regalo, productos de Alpine y/o un sistema completo.

Esperamos poder seguir ofreciéndole el mejor servicio en el futuro.

Atentamente,

El equipo de Alpine