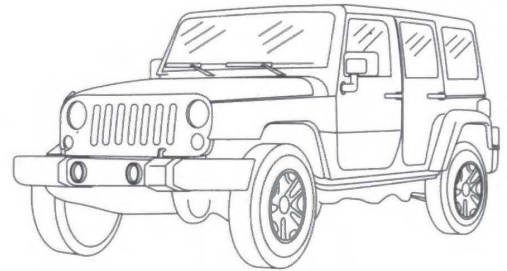


SPV-65X-WRA

6.5" 2-Way Component System

Front or Soundbar Installation Manual



Jeep
Wrangler (JK)
Wrangler Unlimited (JKU)
 ● Model Year: 2007 – 2018

* The specified vehicles have been tested and have met compatibility specs at the time of testing. Compatibility is not guaranteed if the manufacturer has made production changes to the listed vehicles above.

⚠ Warning: Before you begin wiring, remove the ground wire from the NEGATIVE (-) terminal of the battery. Failing to do so can lead to electric shock, injury or damage to equipment.

Introduction

- Congratulations on purchasing the SPV-65X-WRA. This installation manual is designed to take you through the step-by-step installation of the SPV-65X-WRA into a 2007 - 2018 Jeep Wrangler/Wrangler Unlimited. Please familiarize yourself with the owners manual and if you still have additional questions please call 1-800-TECH-101.



Note

- Design and specifications are subject to change without notice for improvement.

To Ensure Safe Use, Always Follow These Precautions

- The installation of this product requires specialized skills and experience. We recommend that you have the product installed by an Alpine authorized dealer.
- Before you use this product, be sure to carefully read this installation manual and the separate user's manual so that you can use the product correctly. Alpine Electronics bears no responsibility for problems that arise as a result of failure to follow the instructions in the manuals.
- This manual includes a number of symbols that are intended to help you use the product safely, to prevent harm to you and others, and to protect against damage to property. These symbols and their meanings are listed below. Make sure you fully understand these symbols before you begin reading the main text.

Explanations of Injury and Damage That May Result from Incorrect Use

 Warning	Ignoring the content marked by this indication and using the product incorrectly may lead to death or serious injury.
 Caution	Ignoring the content marked by this indication and using the product incorrectly may lead to injury or property damage.

Types of Precautions


 Forbidden	Indicates actions that are forbidden (must not be performed)
 Forbidden	Indicates that disassembly is forbidden.
 Mandatory	Indicates actions that are mandatory (must be performed)
	Marks content that should receive your full attention.

 **Warning**



Do not disassemble or modify the product. Doing so could lead to an accident, fire, or electric shock.


Forbidden

Store screws and other small objects where small children cannot reach them. If one of these small objects is swallowed, consult with a doctor immediately.




When replacing fuses, be sure to use fuses with the specified current rating. Failing to do so could lead to an accident or fire.

 
Forbidden Mandatory


Only connect the product to a 12 VDC negative ground car. Failing to do so could lead to an accident or fire.


Mandatory


Before you begin wiring, remove the ground wire from the negative terminal of the battery. Failing to do so could lead to electric shock or injury.




Do not cut the insulation on a cord and take power from another device. Doing so could lead to fire or electric shock.


Forbidden


Do not install the product in a location where it will obstruct the driver's forward view; interfere with the operation of the steering wheel, gearshift, or the like; or pose a threat to passengers. Doing so could lead to an accident or injury.


Forbidden


When making a hole in the vehicle body, be careful to avoid damaging pipes, the fuel tank, electrical wiring, and the like. This kind of damage could lead to an accident or fire.




When installing and grounding the product, do not use any of the bolts or nuts of the steering wheel, brakes, fuel tank, or the like. Doing so could make the brakes stop working or lead to fire.


Forbidden

Do not install the product near the passenger-side airbag. Doing so could interfere with the operation of the airbag and lead to an accident or injury.



Forbidden

Bundle cords so that they don't interfere with driving. Wrapping cords around the steering wheel, gearshift, brake pedal, or the like, could lead to an accident or damage equipment.




 **Caution**

Connect the product properly according to the instructions. Failing to do so could lead to fire or an accident.


Forbidden


Do not sandwich cords between the seat railing or allow them to touch protrusions. Resulting breaks or shorts could lead to electric shock or fire.




Do not block vents or heat sinks. Doing so could lead to fire or damage equipment.




Use the accessories according to the instructions, and attach them securely. Failing to do so could lead to an accident or damage equipment.


Forbidden


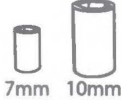

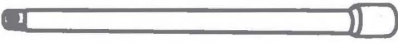
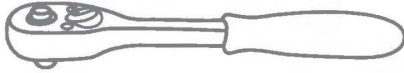

Do not install the product where it may be exposed to water or in a place with high levels of humidity or dust. Doing so could lead to fire or damage equipment.


Forbidden


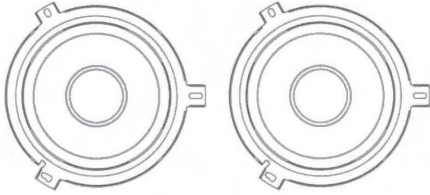
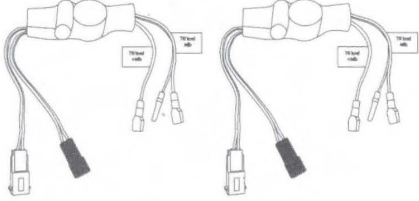
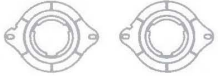
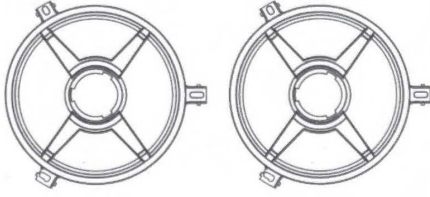
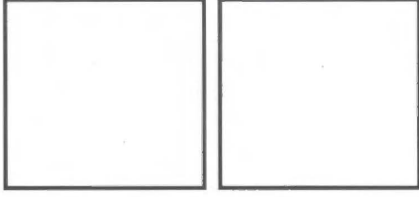
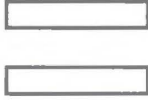

The installation and wiring of this product requires specialized skills and experience. Have the product installed by an Alpine authorized dealer.



Tools Required

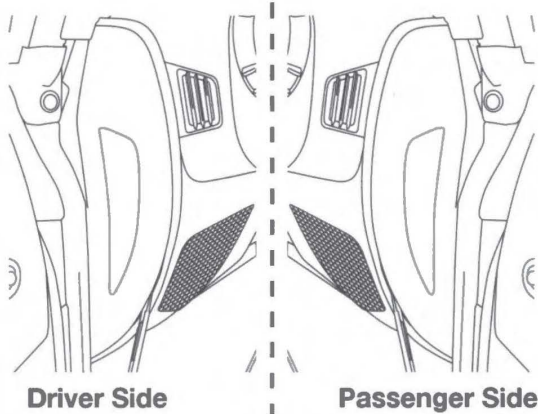
<p>Panel Removing Tool</p>	<p>Sockets</p>	<p>#2 Phillips Screwdriver</p>
	 <p>7mm 10mm</p>	
<p>Extension</p>	<p>Ratchet</p>	<p>Torx</p>
		 <p>T15 T20</p>

Accessory List

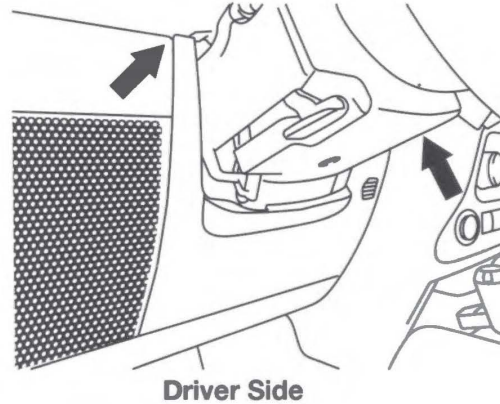
<p>Tweeters x 2 pcs</p>	<p>6.5" Woofers x 2 pcs</p>	<p>Crossovers x 2 pcs</p>
		
<p>3.5" Tweeter Adapter Plate (2015-2018) x 2 pcs</p>	<p>Tweeter Bridge Grille Adapter (2007-2014 Soundbar) x 2 pcs</p>	<p>Polyfill sheets x 2 pcs</p>
		
<p>Foam Strips x 2 pcs</p>	<p>Alpine Logo Badges x 2 pcs</p>	
		

Front Speaker (Woofers) Removal (2007-2018)

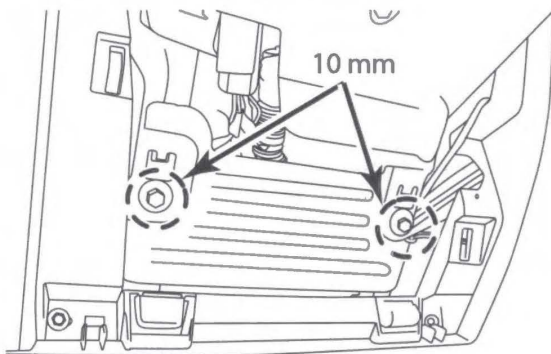
- 1 Using a Panel Removal Tool, remove the dash side covers by each door.



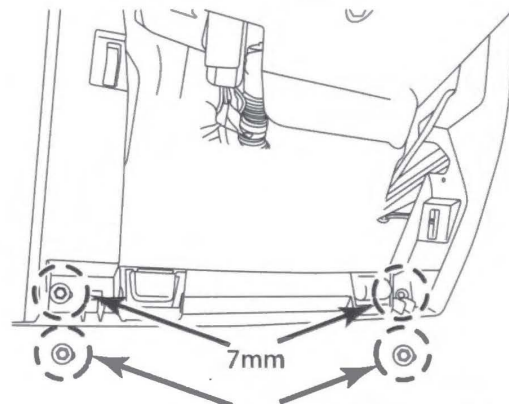
- 2 Remove the driver side knee cover by releasing the (2) top clips.



- 3 Extract (2) 10mm bolts from the metal steering wheel column cover and remove it.

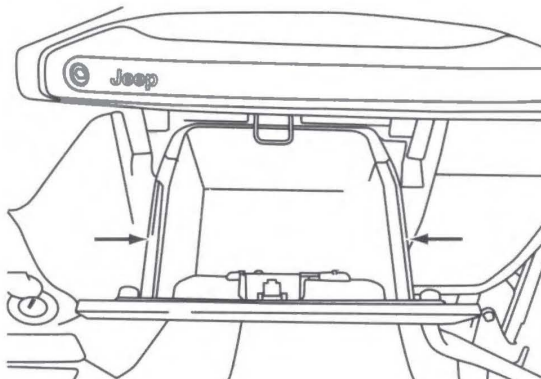


- 4 Extract (2) 7mm bolts from the lower dash. '07 - '11 Models have (4) bolts.

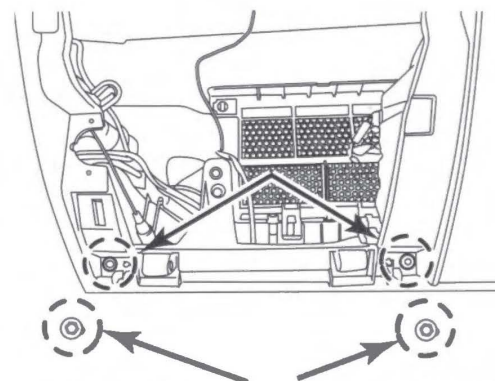


'07-'11 Models have (2) additional bolts

- 5 Remove glove box by pushing both left and right sides inwards.



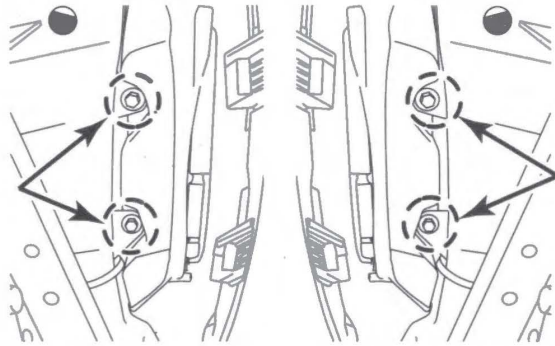
- 6 Extract (2) 7mm bolts from the lower dash. '07-'11 Models have (4) bolts.



'07-'11 Models have (2) additional bolts

Front Speaker (Woofers) Removal (2007-2018)

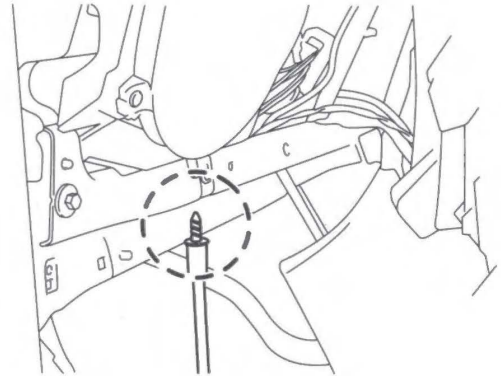
- 7 Extract (2) 7mm bolts from the side of each respective dash enclosure.



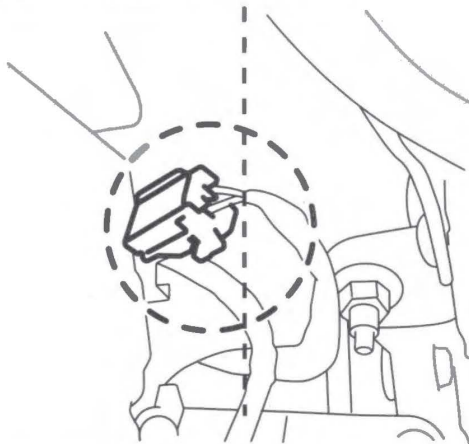
Driver Side

Passenger Side

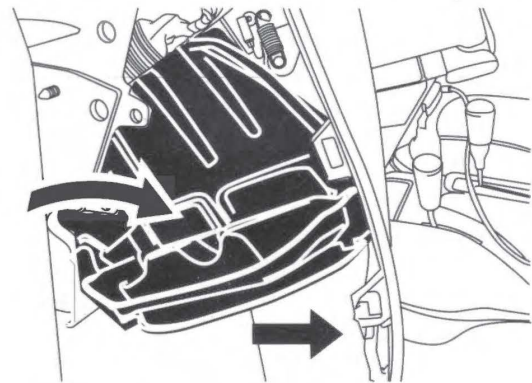
- 8 Remove (1) 10mm bolt from under each enclosure.



- 9 Disconnect the speaker enclosure (connector located on the back).

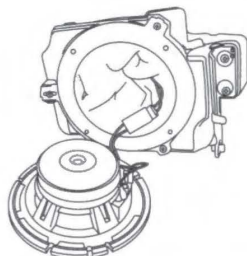


- 10 Carefully pull the dash towards the back of the vehicle and remove the enclosure by turning towards the back.



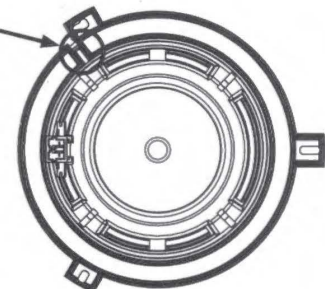
Front Speaker (Woofers) Installation (2007-2018)

- 1 Remove the speaker by extracting the (3) factory screws. (Save screws for later). Cut a slit in the center of the polyfill, and pull the vehicle plug through. Insert the excess polyfill into the enclosure.
Note: Installation of polyfill is needed for optimum sound.



- 2 Add the foam strip, connect the vehicle plug to the speaker.
 1. Install using the reverse procedure
 2. Repeat for the opposite side

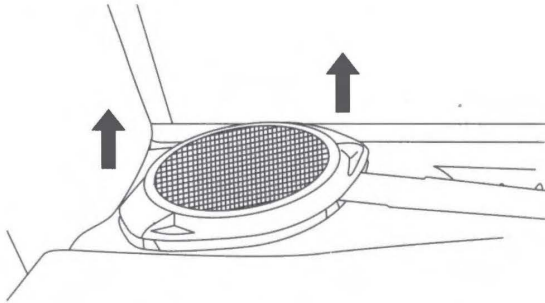
Add foam strip
(Included)



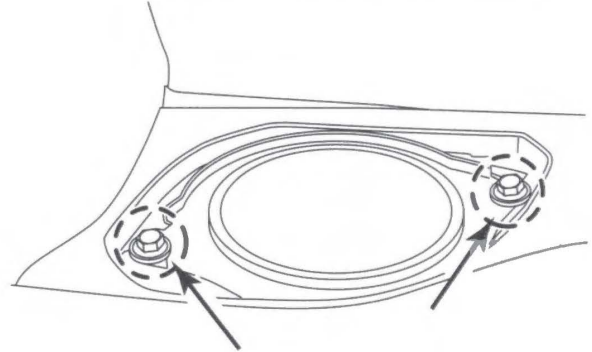
Note: Pigtail is only used for Soundbar 2007-2014 pg 9

Front Tweeter Removal (2015-2018)

- 1 Remove top dash speaker grille using a panel removal tool. Clean surface and apply the Alpine badge.

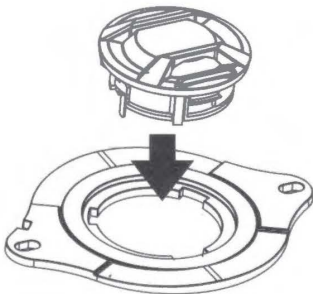


- 2 Extract the (2) 7mm bolts (save for later) and disconnect and remove the factory speaker.

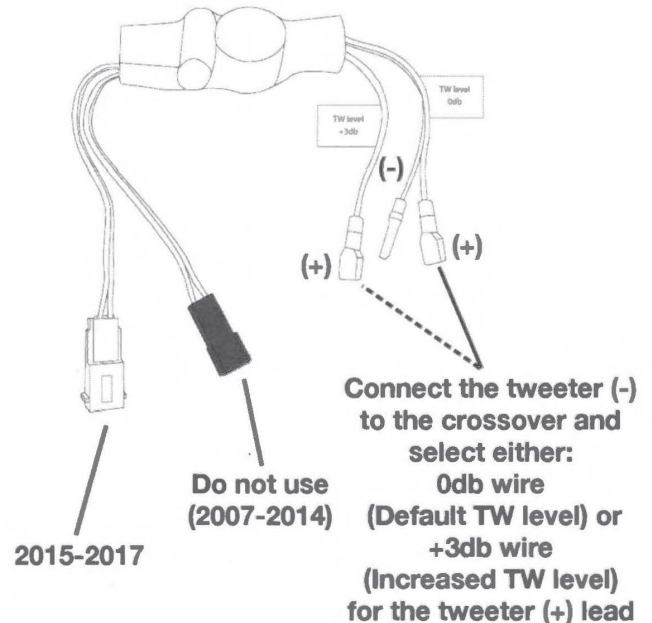


Front Tweeter Installation (2015-2018)

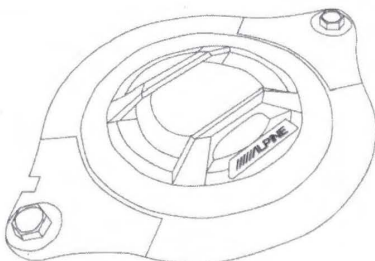
- 1 Press the tweeter into the 3.5" tweeter adapter.



- 2 Select the (2015-2017) crossover input wires and connect to the vehicle plug. Connect tweeter connectors. Secure the crossover.
Note: 2007-2014 input plug is not used.

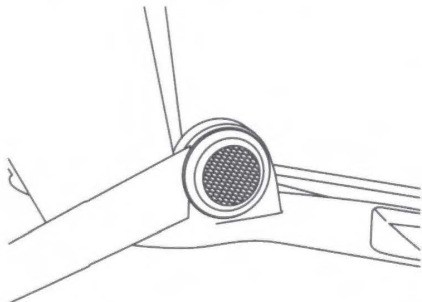


- 3 Align tweeter adapter plate notch to the vehicle and reinstall using the (2) 7mm bolts.



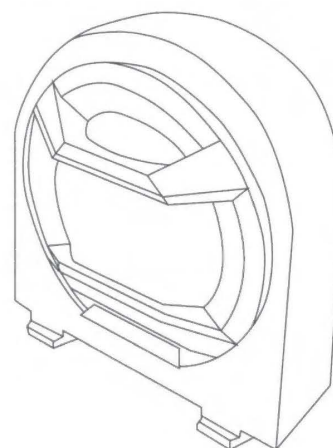
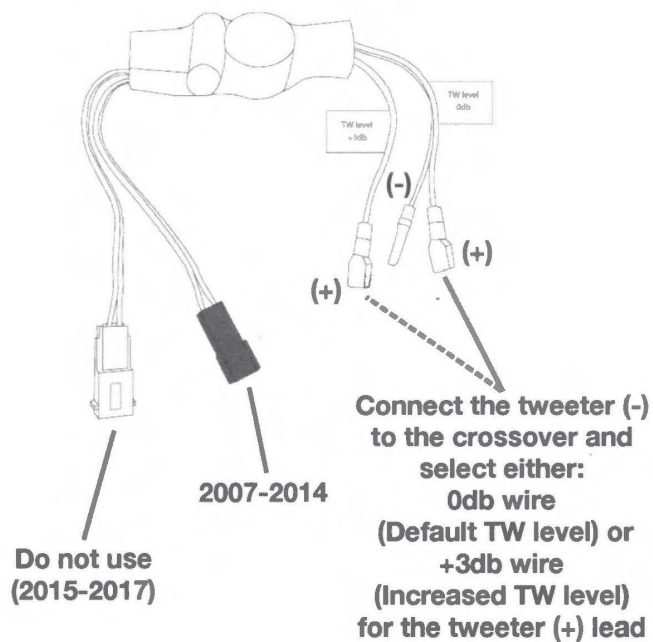
Front Speaker (Tweeter) Removal (2007-2014)

- 1 Remove top dash speaker grill using a panel removal tool. Disconnect the tweeter.



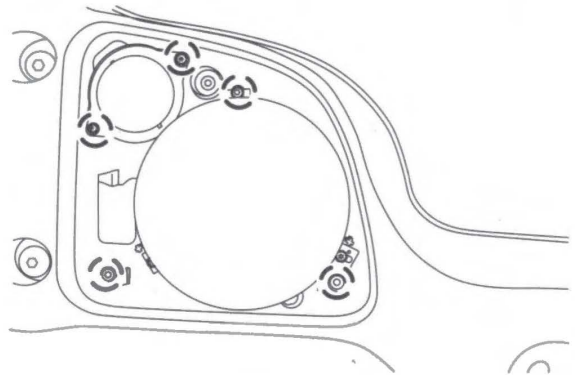
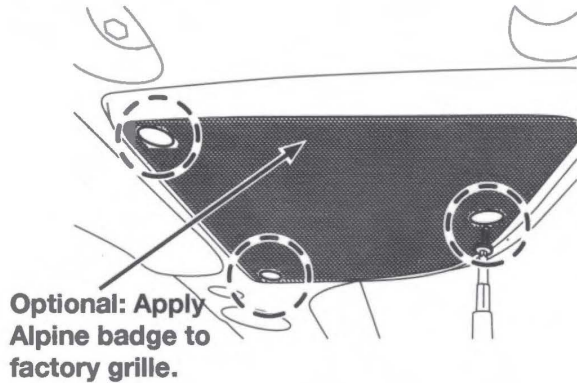
Front Speaker (Tweeter) Installation (2007-2014)

- 1 Select the (2007-2014) crossover input wires and connect to the vehicle plug. Connect tweeter connectors. Secure the crossover.
Note: 2015-2017 input plug is not used.
- 2 Guide the tweeter in the opening and press into place.



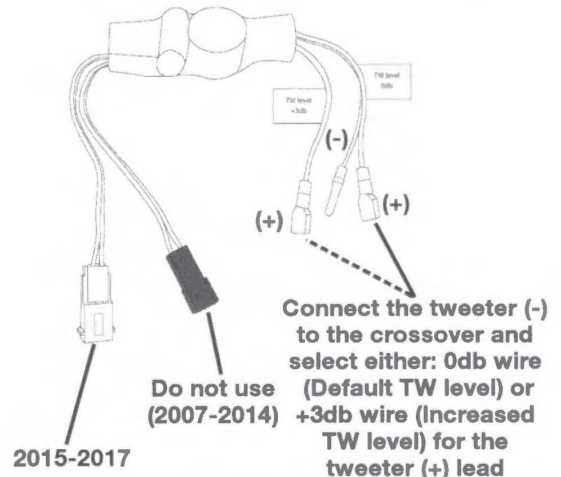
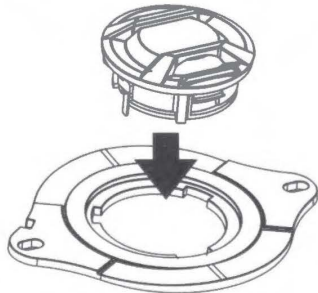
Rear Soundbar Speaker Removal (2015-2018)

- 1 Extract the (3) T20 Torx screws from the speaker grilles. Clean surface and apply the Alpine badge to factory speaker grille.
- 2 Hold the speakers when extracting the (5) T20 torx screws. Disconnect the speaker and save the screws for later.

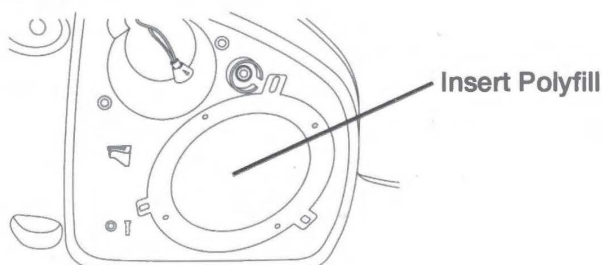


Rear Soundbar Speaker Installation (2015-2018)

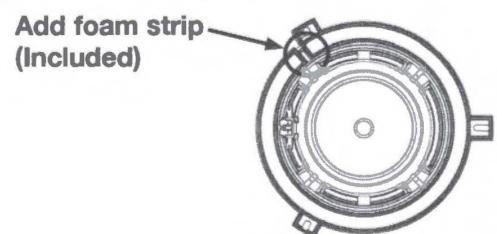
- 1 Press the tweeter into the 3.5" tweeter adapter.
- 2 Select the (2015-2017) crossover input wires and connect to the soundbar vehicle plug. Connect tweeter connectors. Mount the tweeter to the soundbar. Note: 2007-2014 input plug is not used.



- 3 Cut a slit in the center of the polyfill, and pull the vehicle plug through. then insert the excess polyfill into the enclosure. Note: Installation of polyfill is needed for optimum sound.



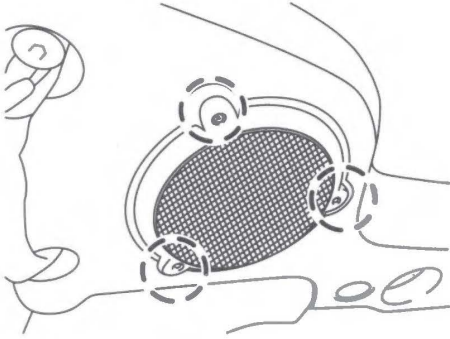
- 4 Add the foam strip, connect the vehicle plug to the speaker, then mount using the (3) factory screws.
 1. Install using reverse procedure.
 2. Repeat for the opposite side.



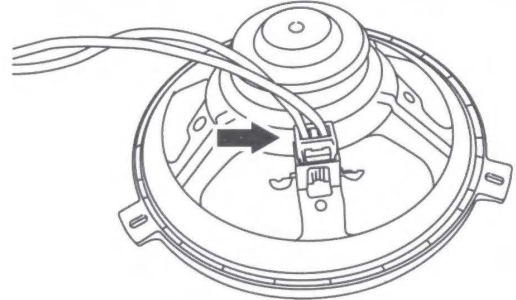
back of speaker view

Rear Soundbar Speaker Removal (2007-2014)

- 1 Hold the speaker and carefully extract the (3) T15 Torx screws.

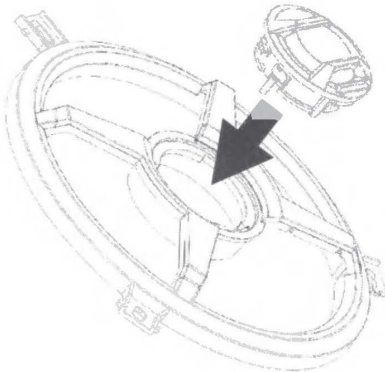


- 2 Disconnect and remove the factory speaker.

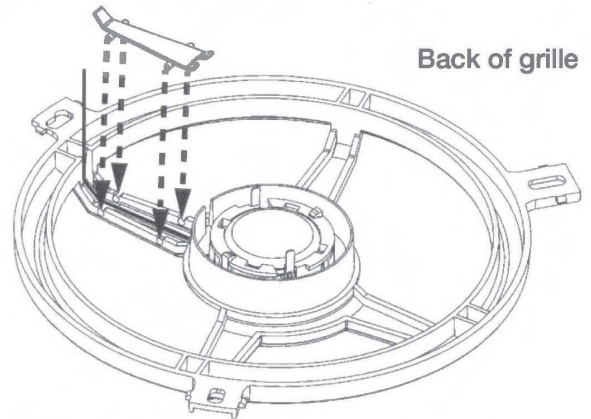


Rear Soundbar Speaker Installation (2007-2014)

- 1 Press the tweeter into the tweeter bridge grille adapter. Observe the tab orientation.



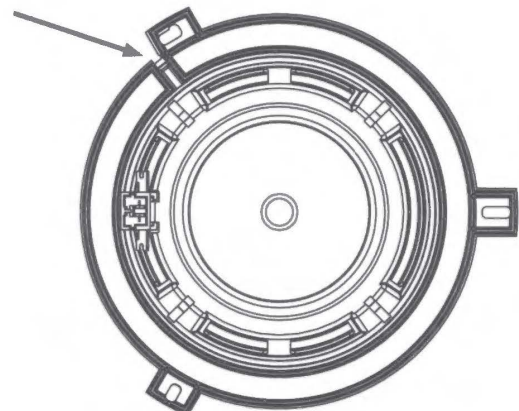
- 2 Route the tweeter wires through the grille by removing the wire cover. Ensure the wires do not get pinched when reinstalling the wire cover.



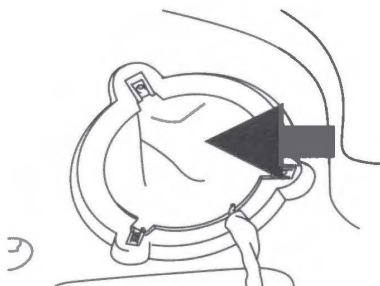
- 3 Route the wire through the notch on the basket, then press the grille into place. Ensure the wires do not get pinched.



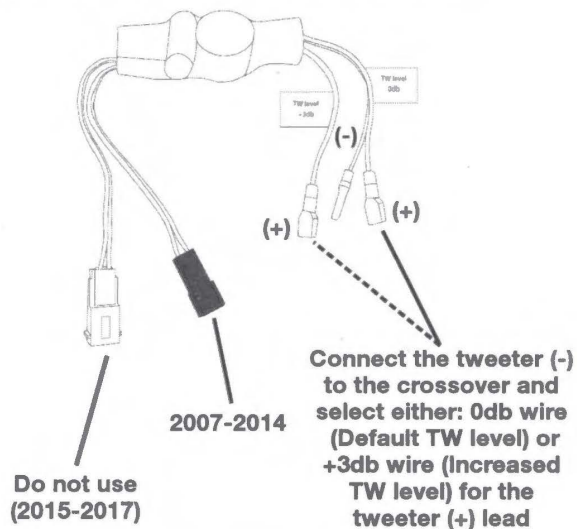
- 4 Add foam strip on top of wires in channel.



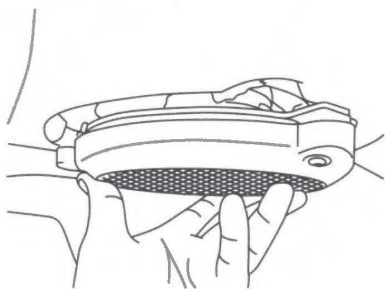
- 5 Cut a slit in the center of the polyfill, and pull the vehicle plug through. then insert the excess polyfill into the soundbar enclosure.
Note: Installation of polyfill is needed for optimum sound.



- 6 Select the (2007-2014) crossover input wires and connect to the woofer pigtail male plug. Connect tweeter connectors. Secure the crossover.
Note: 2015-2017 input plug is not used.



- 7 Align the factory speaker grille over the tweeter bridge grille adapter tabs, connect the vehicle plug to the speaker and mount to the soundbar using the (3) T15 Torx screws.



- 8 Clean the factory grille surface and apply the Alpine Badges.



LIMITED WARRANTY

ALPINE ELECTRONICS OF AMERICA, INC. ("Alpine"), is dedicated to quality craftsmanship and is pleased to offer this Warranty. We suggest that you read it thoroughly. Should you have any questions, please contact your Dealer or contact Alpine at one of the telephone numbers listed below.

●PRODUCTS COVERED:

This Warranty covers Car Audio Products and Related Accessories ("the product"). Products purchased in the Canada are covered only in the Canada. Products purchased in the U.S.A. are covered only in the U.S.A.

●LENGTH OF WARRANTY:

This Warranty is in effect for one year from the date of the first consumer purchase on most with the exception of the INA-W900/INA-W900BT, which is two years.

●WHO IS COVERED:

This Warranty only covers the original purchaser of the product, who must reside in the United States, Puerto Rico or Canada.

●WHAT IS COVERED:

This Warranty covers defects in materials or workmanship (parts and labor) in the product.

●WHAT IS NOT COVERED:

This Warranty does not cover the following:

- ① Damage occurring during shipment of the product to Alpine for repair (claims must be presented to the carrier).
- ② Damage caused by accident or abuse, including burned voice coils caused by over-driving the speaker (amplifier level is turned up and driven into distortion or clipping). Speaker mechanical failure (e.g. punctures, tears or rips). Cracked or damaged LCD panels. Dropped or damaged hard drives.
- ③ Damage caused by negligence, misuse, improper operation or failure to follow instructions contained in the Owner's manual.
- ④ Damage caused by act of God, including without limitation, earthquake, fire, flood, storms or other acts of nature. Any cost or expense related to the removal or reinstallation of the product.
- ⑤ Service performed by an unauthorized person, company or association.
- ⑥ Any product which has the serial number defaced, altered or removed.
- ⑦ Any product which has been adjusted, altered or modified without Alpine's consent.
- ⑧ Any product not distributed by Alpine within the United States, Puerto Rico or Canada.
- ⑨ **Any product not purchased from an Authorized Alpine Dealer.**

●HOW TO OBTAIN WARRANTY SERVICE:

- ① You are responsible for delivery of the product to an Authorized Alpine Service Center or Alpine for repair and for payment of any initial shipping charges. Alpine will, at its option, repair or replace the product with a new or reconditioned product without charge. If the repairs are covered by the warranty, and if the product was shipped to an Authorized Alpine Service Center or Alpine, Alpine will pay the return shipping charges.
- ② You should provide a detailed description of the problem(s) for which service is required.

- ③ You must supply proof of your purchase of the product.
- ④ You must package the product securely to avoid damage during shipment. To prevent lost packages it is recommended to use a carrier that provides a tracking service.

●HOW WE LIMIT IMPLIED WARRANTIES:

ANY IMPLIED WARRANTIES INCLUDING FITNESS FOR USE AND MERCHANTABILITY ARE LIMITED IN DURATION TO THE PERIOD OF THE EXPRESS WARRANTY SET FORTH ABOVE AND NO PERSON IS AUTHORIZED TO ASSUME FOR ALPINE ANY OTHER LIABILITY IN CONNECTION WITH THE SALE OF THE PRODUCT.

●HOW WE EXCLUDE CERTAIN DAMAGES:

ALPINE EXPRESSLY DISCLAIMS LIABILITY FOR INCIDENTAL AND CONSEQUENTIAL DAMAGES CAUSED BY THE PRODUCT. THE TERM "INCIDENTAL DAMAGES" REFERS TO EXPENSES OF TRANSPORTING THE PRODUCT TO THE ALPINE SERVICE CENTER, LOSS OF THE ORIGINAL PURCHASER'S TIME, LOSS OF THE USE OF THE PRODUCT, BUS FARES, CAR RENTALS OR OTHERS COSTS RELATING TO THE CARE AND CUSTODY OF THE PRODUCT. THE TERM "CONSEQUENTIAL DAMAGES" REFERS TO THE COST OF REPAIRING OR REPLACING OTHER PROPERTY WHICH IS DAMAGED WHEN THIS PRODUCT DOES NOT WORK PROPERLY. THE REMEDIES PROVIDED UNDER THIS WARRANTY ARE EXCLUSIVE AND IN LIEU OF ALL OTHERS.

●HOW STATE/PROVINCIAL LAW RELATES TO THE WARRANTY:

This Warranty gives you specific legal rights, and you may also have other rights which vary from state to state and province to province. In addition, some states/provinces do not allow limitations on how long an implied warranty lasts, and some do not allow the exclusion or limitation of incidental or consequential damages. Accordingly, limitations as to these matters contained herein may not apply to you.

●IN CANADA ONLY:

This Warranty is not valid unless your Alpine car audio product has been installed in your vehicle by an Authorized Installation Center, and this warranty stamped upon installation by the installation center.

●HOW TO CONTACT CUSTOMER SERVICE:

Should the product require service, please call the following number for your nearest Authorized Alpine Service Center.

CUSTOMER SERVICE 1-800-421-2284, ext. 860304
TECH SUPPORT 1-800-TECH-101 (1-800-832-4101)

Or visit our website at; <http://www.alpine-usa.com>

ALPINE ELECTRONICS OF AMERICA, INC., 19145 Gramercy Place, Torrance, California 90501, U.S.A.

Do not send products to this address.

Call the toll free telephone number or visit the website to locate a service center.



IMPORTANT NOTICE!
PLEASE READ FIRST BEFORE INSTALLING SPEAKERS

Congratulations on your purchase of high quality speakers from Alpine. Your listening satisfaction is important to us. In order to maximize and maintain peak speaker performance the following guidelines are being provided. Please read this notice carefully before operating the speakers.

- 1. Do not over-drive the amplifier. Over-driving the amplifier will result in distortion or clipping and can damage any speaker.**
- 2. Make sure gain controls are properly set. (Follow instructions in amplifier owner's manual.)**
- 3. Make sure that the speaker is properly rated for the amplifier.**
- 4. Make sure that volume, bass, treble, equalization or crossover settings do not cause the amplifier to over-drive.**

Failure to follow these guidelines may result in burned or damaged speaker voice coils which will void your warranty.

If further assistance is necessary, please contact your Alpine authorized dealer.



Thank you for choosing Alpine for your car audio equipment needs. Our goal is to produce the best audio/video/navigation products in the world and hope your expectations are met.

Please take a moment to protect your purchase by registering your product now at the following address: www.alpine-usa.com/registration. You will be informed of product and software updates (if applicable), special promotions, and news about Alpine.

By registering your product, you will also have a chance to participate in exclusive offers to win Alpine gear.

We look forward to continue serving you in the future.



Sincerely,

The Alpine Team

French

Nous vous remercions d'avoir porté votre choix sur un équipement audio automobile Alpine. Notre principal objectif est de fabriquer les meilleurs produits audio, vidéo et de navigation au monde afin de répondre aux exigences de nos clients.

Veuillez prendre quelques instants pour sécuriser votre achat en enregistrant votre produit à l'adresse suivante: www.alpine-usa.com/registration. Vous serez informé(e) des nouveaux produits, mises à jour logicielles (le cas échéant), promotions spéciales et informations concernant Alpine.

En enregistrant votre produit, vous aurez également une chance de participer à des offres exclusives pour gagner du matériel Alpine.

Nous espérons que nos produits vous donneront entière satisfaction.

Cordialement,

L'équipe Alpine

Spanish

Agradecemos que haya elegido a Alpine como su proveedor de equipo de audio para su vehículo. Nuestro objetivo es fabricar los mejores productos de audio, video y navegación del mundo y esperamos poder cumplir con sus expectativas.

Para proteger su compra le pedimos que se tome unos momentos para registrar su producto en la siguiente dirección: www.alpine-usa.com/registration. Recibirá información sobre novedades del producto, actualizaciones de software (si su producto lo requiere), promociones especiales y noticias sobre Alpine.

Al registrar su producto, también tendrá la oportunidad de participar en ofertas exclusivas para ganar equipos de Alpine.

Esperamos poder tener la oportunidad de seguir ofreciéndole otros productos en el futuro.

Atentamente,

El equipo de Alpine