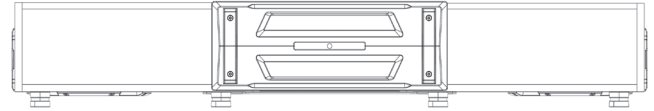


R/S-DB8V-TRK Truck Enclosure Installation Manual

Compatible with the following models:

- R2-W8D2
- S-W8D2



Introduction

Congratulations on purchasing this truck enclosure. This installation manual is designed to take you through the step-by-step installation of the 'R' or 'S' Series Dual 8" Subwoofer Vented Enclosure for Trucks. Please familiarize yourself with the owners manual and if you still have additional questions please contact our support team at 1-800-TECH-101.

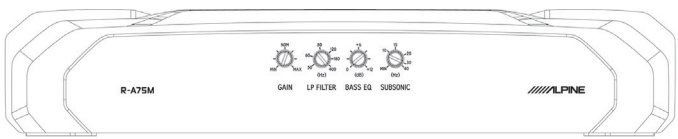
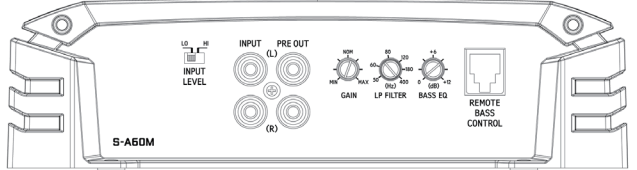
Note: To ensure safe use, Always follow these precautions.

The installation of this product requires specialized skills and experience. We recommend that you have the product installed by an Alpine authorized dealer.

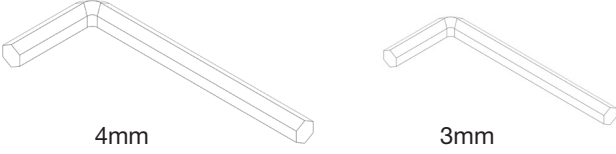
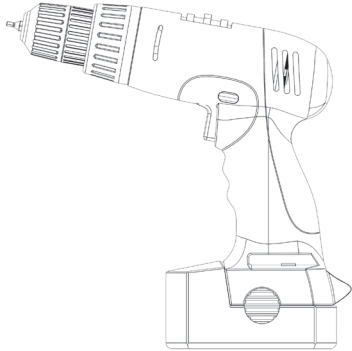
Before you use this product, be sure to carefully read this installation manual so that you can use the product correctly, Failing to do so could lead to damaged equipment or an accident. Alpine Electronics bears no responsibility for problems that arise as a result of failure to follow the instructions in the manual.

- Make sure enclosure is secured to the vehicle. Failing to do so can lead to electric shock, injury or damage to equipment.
- When making a hole in the vehicle body, be careful to avoid damaging pipes, the fuel tank, electrical wiring, and the like. This kind of damage could lead to an accident or fire.
- Do not install the product where it may be exposed to water or in a place with high levels of humidity or dust. Doing so could lead to fire or damaged equipment.
- Start all screw threads by hand and avoid overtourqing screws, failure to do so may damage your equipment.
- Matching Alpine mono amplifiers are sold separately - check with an Alpine authorized dealer.

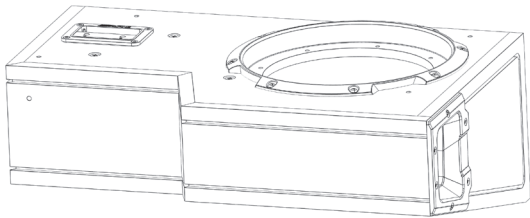
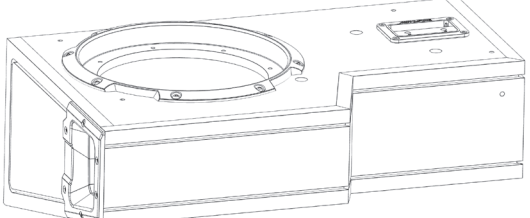
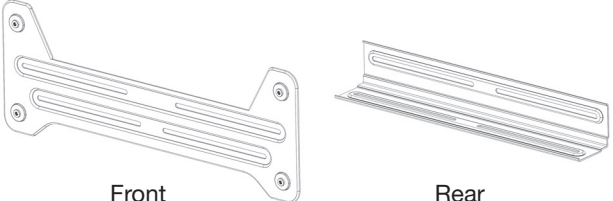
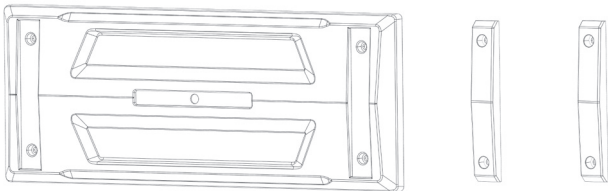


Recommended Amplifier settings

R-A75M amp	S-A60M amp
 <p>Gain=1 o'clock position LP Filter=70Hz Bass EQ=0 (Off) Subsonic Filter=30Hz</p>	 <p>Gain=1 o'clock position LP Filter=70Hz Bass EQ=0 (Off)</p> <p>(Note: If available with your HU/DSP - We recommend a Subsonic filter, if possible with Fc=30Hz @-24dB/Oct.)</p>

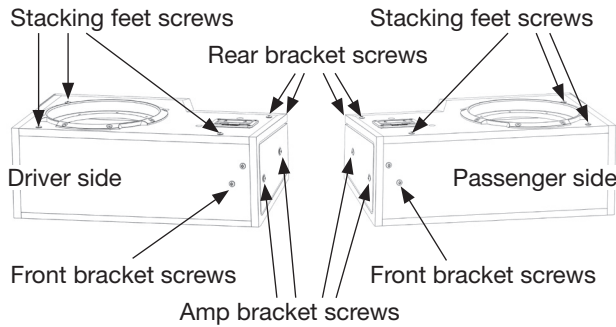
Tools Required

Hex Key Driver (2pcs. included)	Power Drill with a Low Torque Setting (Optional)
 <p data-bbox="250 537 305 562">4mm</p> <p data-bbox="594 537 649 562">3mm</p> <p data-bbox="131 697 764 772">Note: Use Hex Key Drivers for Enclosure feet, Front/Rear brackets and amp tray. Failure do so could result in damage to the enclosure.</p>	 <p data-bbox="829 697 1382 747">Note: Power Drill for Subwoofer and Amplifier installation only.</p>

Accessory List

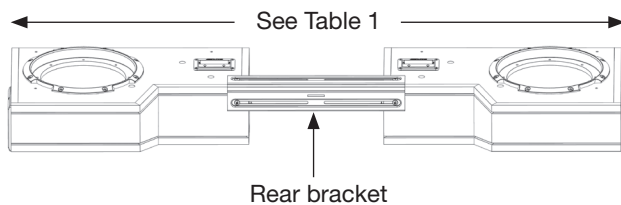
Driver Side Enclosure	Passenger Side Enclosure
	
Front/Rear Link Bracket	Front Cover/Trim Bars
 <p data-bbox="269 1482 324 1507">Front</p> <p data-bbox="594 1482 649 1507">Rear</p>	
Left/Right Amp Tray Bracket	Stacking Feet for Enclosure
	 <p data-bbox="906 1738 1182 1795">6 Standard Stacking Feet (Rubber/Washer/Rubber)</p> <p data-bbox="1295 1738 1485 1795">2 Pair Extra Parts (Rubber/Washer)</p>

- 1** Installation screws are temporarily installed in both driver and passenger side enclosures. Remove all screws to prepare for assembly.



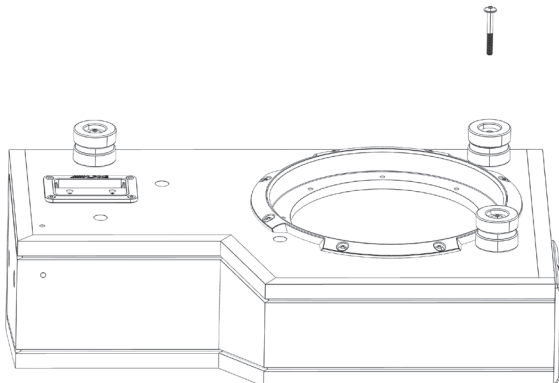
- 3** Place enclosures upside down on a flat surface and set to required width. Align rear link bracket with threaded inserts and secure bracket using supplied M5x20mm screws (4pcs.) and M5x12mm washers (4pcs.).

Caution: To avoid damage to the enclosure use supplied Hex Key driver for when installing the rear bracket.



- 5** Using the supplied M5x60mm screws (6pcs.) and M5x20mm washers (6pcs.) install feet as shown. Additional feet spacers are included to accommodate vehicles with uneven floors, floor mats etc. - see fitment chart.

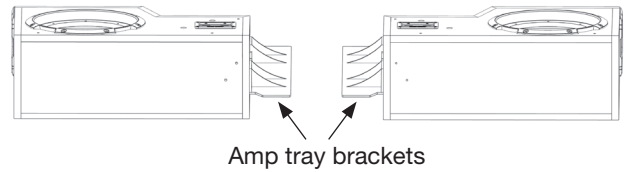
Caution: To avoid damage to the enclosure use supplied Hex Key driver for when installing the enclosure feet.



- 2** If applicable, attach inner amp tray brackets using supplied M5x20mm screws (4pcs.) and M5x20mm washers (4pcs.).

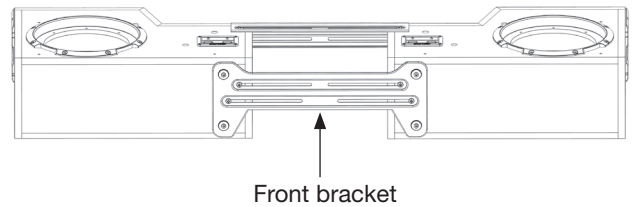
Note: Amp tray brackets can be trimmed for narrow applications. Amp tray will not be used in some applications - See fitment chart. If Amp brackets are not installed, the 4 mount screws should be left snugly tightened in both enclosures.

Caution: To avoid damage to the enclosure use supplied Hex Key driver for when installing the amp brackets.

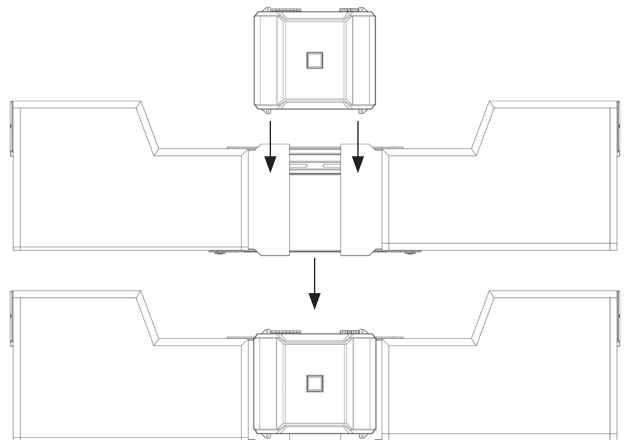


- 4** Rotate assembly rightside up and attach front link bracket using supplied M5x20mm screws (4pcs.) and M5x20mm washers (4pcs.) as shown.

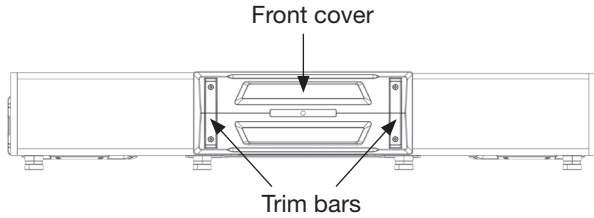
Caution: To avoid damage to the enclosure use supplied Hex Key driver for when installing the front bracket.



- 6** Place mono amplifier on amp tray and mark the mount holes. Then drill and mount with appropriate size screws (not included).



- 7 Align front cover and trim bars, then install with supplied M5x20mm screws (4pcs, 4mm hex drive).



Recommended configuration for specific vehicles

Table 1: Recommended vehicle settings

Vehicle	Width	Inner Foot	Outer Foot (front)	Outer Foot (rear)	Amp Tray	Notes
2015+ F-150	51" (max)	yes	yes	yes	yes	
2018+ Silverado/Sierra	51" (max)	yes	yes	yes	yes	
2007+ Wrangler	40" (min)	no	yes	yes	no	Remove inner foot and install in outer location
2018+ RAM	51" (max)	yes	yes	no	yes	