

 **xiom**<sup>®</sup>



QS4 v4 Surround



Every member of our Axiom team, myself included, is pleased that you have decided on one of our products. We have all worked hard to bring the highest level of satisfaction to your audio experiences, and will continue to work hard to make every Axiom purchase a wise audio investment for you.

Axiom is deeply committed to ongoing audio research that continues to enhance the performance of our products. We design and engineer all of our loudspeakers based on the world-class psycho-acoustical research that was conducted at the National Research Council and that I have been an integral part of since its early years. This research changed the way that sound is measured, and allows Axiom to provide the world's most realistic-sounding loudspeakers at amazing value to the consumer. By emphasizing the practical side of our ongoing research, Axiom continues to extend people's expectations of performance.

It is our central goal at Axiom to turn this research into a truly exciting experience for you in your environment. Our commitment to the delivery of the most accurate sound reproduction is a commitment to heighten the level of enjoyment you receive from music and movies.

We at Axiom see our customers as family members and as such we stand at the ready to deliver personal, expert advice and to follow up on any of your audio needs.

Sincerely,

A handwritten signature in blue ink, appearing to read 'I. Colquhoun'.

Ian Colquhoun  
President and Founder  
Axiom Audio

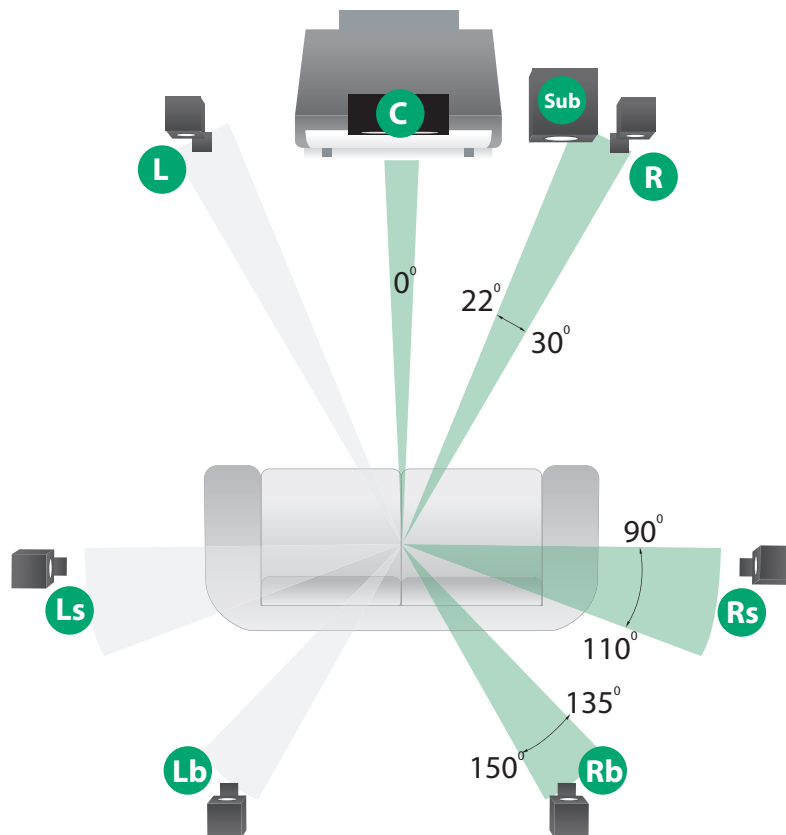
## Placement

Quadrapolar surround speakers in a 5.1 system will sound their best and produce the greatest sense of envelopment in the surround soundfield if they are to each side of the listening area (see diagram) rather than on the rear walls, and from 1 to 5 feet above the level of seated listener's ears. However if your room doesn't permit side-wall placement of the surrounds, the QS models will work very effectively on the rear wall behind the listening area.

Dolby Labs specify that with side-wall placement, the surrounds may be located up to 20 degrees to the rear of your couch or chair relative to an imaginary line across the listening area. Keep the surrounds at least 5-6" inches from the ceiling, so the top-mounted woofer's output is not compromised.

In a 7.1-channel setup, the back surrounds are intended for rear-wall placement at angles of from 135 to 150 degrees (see diagram) relative to the 0-degree line facing the center channel and TV display. The QS surrounds don't need to be "aimed" towards the listening area.

An ideal 7.1-channel surround system setup has the main surrounds (Ls, Rs) to each side and the back surrounds (Lb, Rb) at the rear of the listening area.



HOWEVER, these are not hard and fast rules. The Quadrants are very forgiving of asymmetrical placement and difficult rooms. They will indeed work fine at ear level on stands to the sides of the listening area or even on the rear walls if side-wall placement is impossible. They do NOT have to be mounted at equal heights or equal distances from each surround speaker to the listeners. You can adjust for different distances and levels with your Dolby Digital/dts A/V surround sound receiver's set-up menu. Experiment with placement locations using a couple of helpers to temporarily support the Quadrants while you listen for a seamless enveloping sense of immersion in the surround field. The Quadrants will preserve directional cues "hardmixed" to the left or right, but you should not locate specific sounds directly at the Quadrants themselves when properly set up.

## Accessories

### Full Metal Stand

This sturdy audiophile-quality die-cast aluminum 16-inch / 24-inch Full Metal Stand is custom-engineered to exactly fit your Axiom Speaker. Its top plate has two screw holes at the rear that match up with the two bolts on the bottom rear of your Axiom speakers.



### Full Metal Bracket

For versatile wall mounting, use the Axiom Full Metal Bracket. Designed for accommodating even the most difficult installations, the Full Metal Bracket swivels left, right, up, and down, with lock-nuts for securing your ultimate position. Your Axiom bookshelf speaker has a bolt in the center rear of the cabinet designed for mounting to your Full Metal Bracket.



### Full Metal Ceiling Bracket

Strength, Flexibility, Durability - Axiom's Full Metal Ceiling Bracket is a great new solution for ceiling mounting your loudspeakers. It's perfect for hanging surround speakers in your open-concept theater room or simply in rooms where rear or side wall mounting isn't possible.



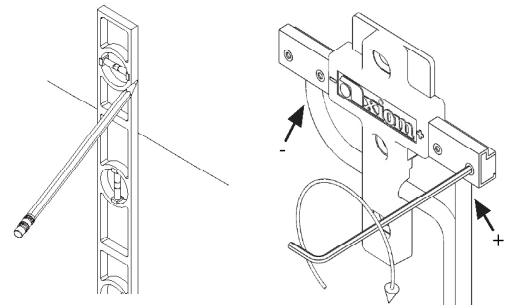
## Power Bracket Installation

The Axiom Power Bracket provides easy wall mounting and electrical connections in one innovative design. Simply connect your speaker wires, mount the bracket to the wall, and hang your speaker. The negative is on the left side of the bracket and the positive is on the right. Optionally you can use the standard binding posts. Each gold binding post has a colored ring around it-- RED is POSITIVE, BLACK is NEGATIVE. Most receiver and amplifier manufacturers use this color code and you should use it as well--it makes things a lot easier to hook up your speaker cables.



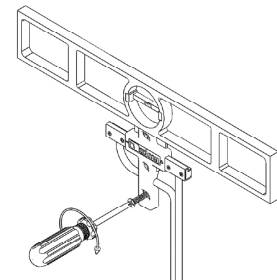
### Step 1

Using a pencil and a level, draw intersecting horizontal and vertical lines on wall at desired speaker location. Note: It is extremely important to place the center of the Power Bracket up against a stud on the wall for security. Loosen clamps and insert wires. Ensure positive (+) wire from amp is in (+) side of power bracket. Tighten clamps.



### Step 2

Place bracket on the wall and align with pencil lines. Install screws. Do not completely tighten yet. Place a level on top of power bracket and make any necessary adjustments. Tighten screws. Wash off pencil marks.

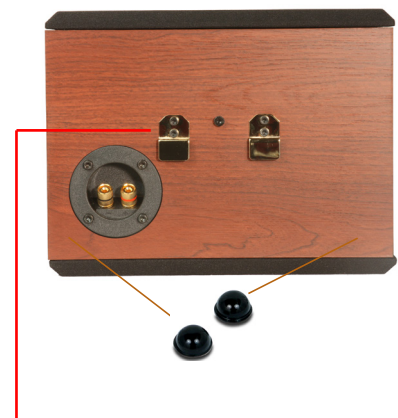


### Step 3

Place the Wall Bumpers on the back bottom corner of the speaker.

### Step 4

Lift your speaker over the Power Bracket and slide it down until the tabs on the back of your speaker rest securely on the Power Bracket.



**WARNING:** Do not loosen bolts on power tabs. Doing so will cause the speaker to lose electrical connection and render the speaker inoperable.

# Hookup

Turn the speakers around and look at the back panel. You'll see gold-plated 5-way binding posts, to which you are going to connect the speaker cables from your receiver or amplifier. Each gold binding post is colour coded. RED is POSITIVE, BLACK is NEGATIVE. You will also see a positive (+) sign engraved in the plastic beneath the RED binding post, and a negative (-) sign beneath the BLACK post. Your amplifier will likely have these same colours and/or symbols. Note: for surround and center channels the positive is likely a different colour on your receiver or amplifier. However, black is universally used for the negative (-).

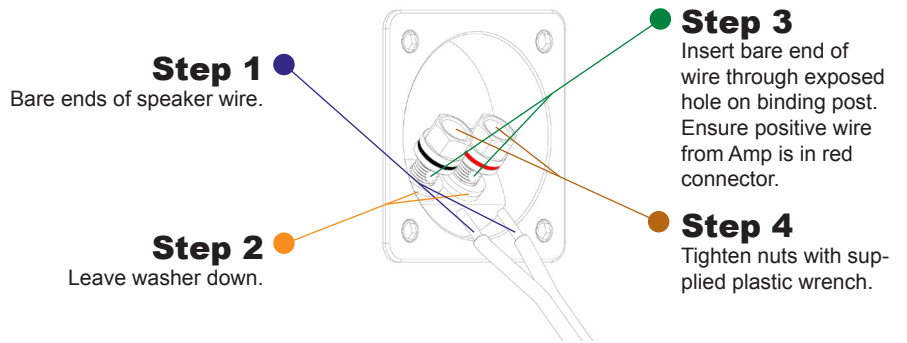
Examine your speaker cables. There will be something to differentiate each wire in the pair of wires; the insulation may have color coding, or one wire may be copper-colored while the other is silver-coloured, or there may be printing on one of the wires, or a ribbed pattern on the plastic insulation of one of the wires. IT IS EXTREMELY IMPORTANT TO CHOOSE ONE WIRE TYPE TO BE THE NEGATIVE AND FOLLOW THAT THROUGH YOUR ENTIRE HOOKUP.

The Axiom binding post is very versatile to suit the type of wire end you may be desirous to use (see wiring diagram). If you are using spade connectors the 1/4" type is best as the Axiom binding post will lock in a 1/4" spade to stop it from spinning when tightened by lifting the ring on the post under the nut. BE SURE TO USE THE SUPPLIED PLASTIC WRENCH TO TIGHTEN YOUR BINDING POSTS AND CHECK THEM EVERY YEAR TO ENSURE THEY ARE STILL TIGHT.

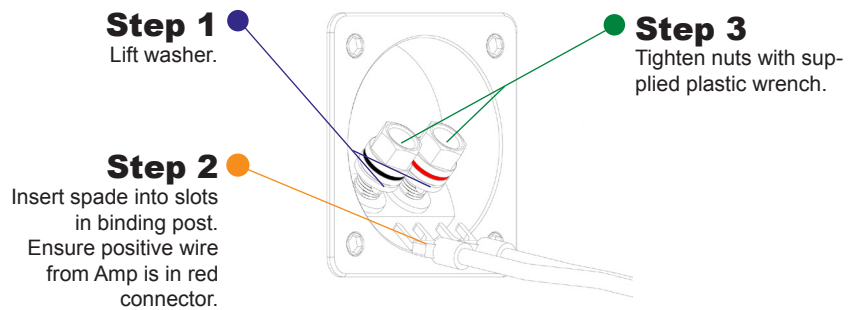
- Front Left Speaker: White
- Subwoofer: Purple
- (line-level RCA output only)
- Front Right: Red
- Center: Green
- Left Surround (side): Blue
- Right Surround (side): Gray
- Left Back Surround: Brown
- Right Back Surround: Tan



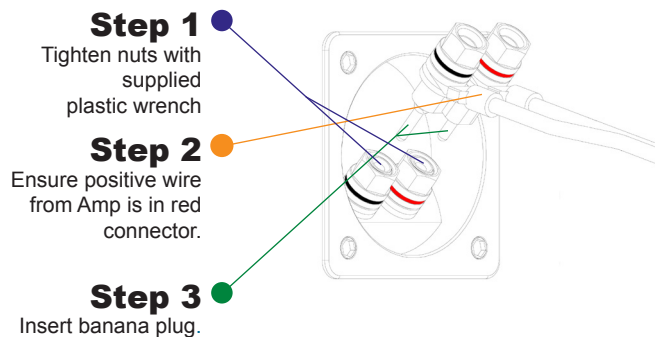
## Bare Wire



## Spade Lug (1/4-inch spade)



## Banana Plug (3/4-inch spacing)







AXIOM AUDIO HEAD OFFICE: 2885 HIGHWAY 60  
DWIGHT, ON CANADA  
P0A 1H0

TOLL FREE (NORTH AMERICA): 1-888-352-9466  
WORLDWIDE: 1-705-635-2222  
EMAIL: [INFO@AXIOMAUDIO.COM](mailto:INFO@AXIOMAUDIO.COM)

[www.axiomaudio.com](http://www.axiomaudio.com)