

 **CERWIN-VEGA!**[®]

HED SERIES SPEAKERS



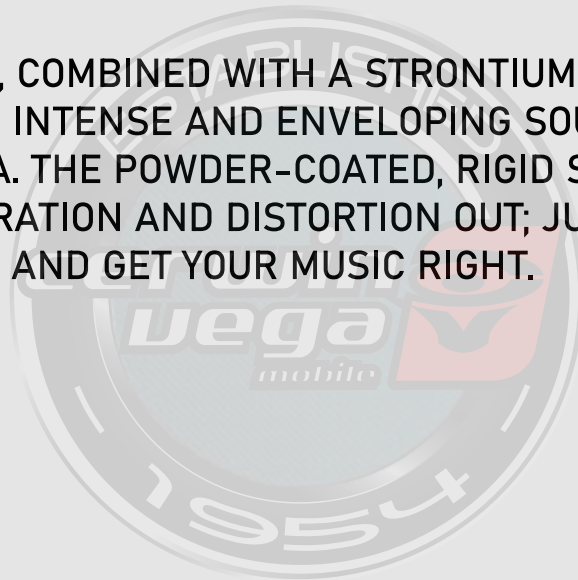
H25/HT34/H35/H40/H4C/H46/H410/H52/H525C/H652/H653/
H65C/H672/H675C/H682/H683/H68C/H692/H693/H694/H69C/H80C

MANUAL

UPGRADE YOUR SOUND WITH CERWIN VEGA'S HED SERIES SPEAKERS, DESIGNED TO TRANSFORM EVERY DRIVE INTO A CONCERT EXPERIENCE! THESE SPEAKERS DELIVER CRYSTAL-CLEAR AUDIO THANKS TO THE RESPONSIVE POLYPROPYLENE CONE, WHICH ENSURES THAT EVERY BEAT AND NOTE IS DELIVERED PRECISELY. THE UV-TREATED FOAM SURROUND KEEPS YOUR SOUND PRISTINE AND ENSURES RELIABILITY FOR YEARS.

EXPERIENCE EXCELLENT AUDIO CLARITY WITH THE DYNAMICALLY BALANCED 1/2" PEI TWEETER, BACKED BY A NEODYMIUM MAGNET FOR HIGH-FREQUENCY BRILLIANCE. THE INTEGRATED CROSSOVER WITH TWEETER PROTECTION ENSURES SMOOTH, DISTORTION-FREE SOUND REGARDLESS OF VOLUME.

THAT COMBINATION, COMBINED WITH A STRONTIUM FERRITE WOOFER MAGNET, GIVES THE INTENSE AND ENVELOPING SOUND YOU'D EXPECT FROM CERWIN VEGA. THE POWDER-COATED, RIGID STAMPED STEEL BASKET KEEPS VIBRATION AND DISTORTION OUT; JUMP INTO CERWIN VEGA'S HED SERIES AND GET YOUR MUSIC RIGHT.



Installing the Speakers

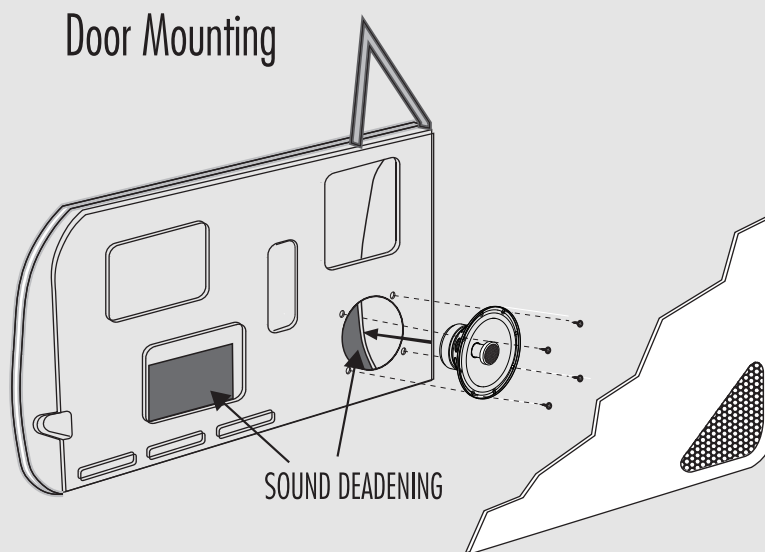
Your new Cerwin Vega HED series speakers were designed with the flexibility to be installed in multiple locations. However, to ensure the best performance possible, it is important to isolate the front sound waves of the speaker from its rear sound waves. This is done by securely mounting the speaker to a flat surface known as a baffle. Make sure to seal the speaker to ensure there are no air leaks around its frame.

Selecting a Location

If your vehicle has existing factory locations, the easiest method would be to replace them with the exact same size speaker. In the case where there is not a factory speaker location, there are many places where the speakers will fit in a vehicle, but they are not always the best locations for good sound. Make sure to take the time to select the best locations possible. Mounting the speakers so that they are equal distance from your ears will achieve the best results. If you experience any difficulties, please consult with your local authorized Cerwin-Vega Mobile dealer. They have the tools and know-how to help

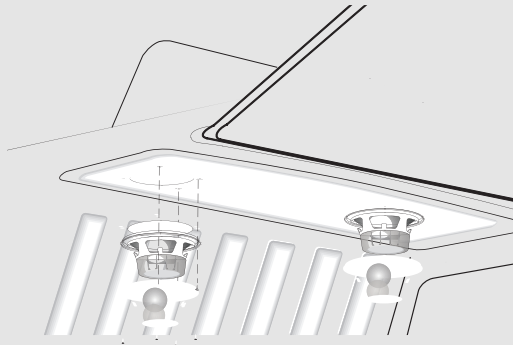
Door Mounting (if not using factory locations)

Prior to cutting, remove the panel from the door and check for clearance in the intended installation area, making sure the window will go all the way up and down without any interference. Avoid cutting any structural metal support or braces to mount the speakers. We **HIGHLY** recommend that for the **BEST** sound you put a sound deadening mat on the door "skin" (as shown below). The more "damped" your car is the better it will ultimately sound !!!



Rear Deck Mounting

There are two primary methods for mounting speakers in the rear deck of a vehicle, top and bottom mounting. Top mounting requires dropping the speakers in through the deck (interior) while bottom mounting secures the speakers from underneath (trunk). Either method requires a good seal around the frame for the best performance.

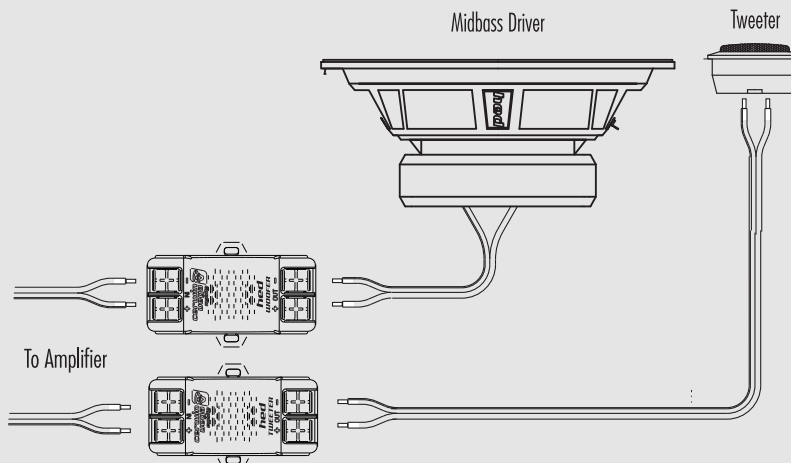


Running New Wiring

In most cases when mounting new speakers you will use the factory supplied wiring, but if new wires have to be run there are some precautions that need to be taken. If the wire needs to run through metal, such as a door jamb, always use a grommet to prevent damage to your wires. Never run wire through bare metal! This can damage the source unit, amp, or even the speakers themselves. Safety of the wiring against short circuits is THE MOST IMPORTANT INSTALLATION CONCERN.

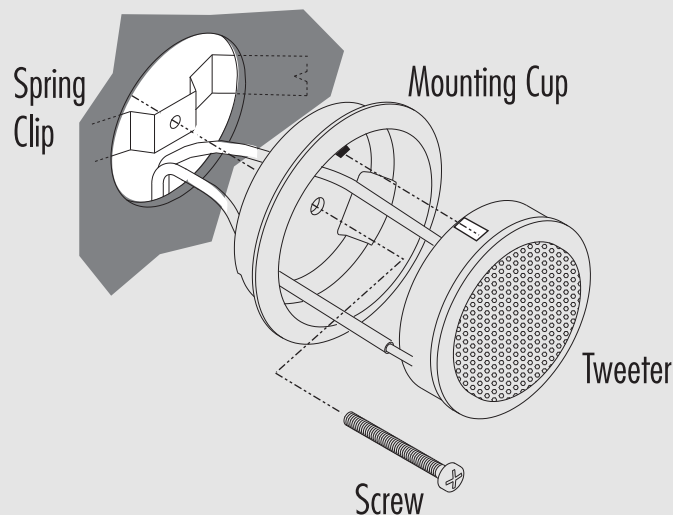
The illustration below shows how to connect one channel of the H65C/H675C/H80C/H4C/H525C H68C/H69C component system.

(HT34 is similar in connection, but just amplifier input and tweeter output only)



Tweeter Installation

When flush or surface mounting tweeters, make sure the desired location can accommodate the hole sizes and depth required. The tweeter can also be surface mounted atop the dash, door, or rear deck. Mount cup using the provided hardware, flush mount illustration shown below. The flush mount bezel requires cutting a 1.85" (47mm) round opening. Be sure there is AT LEAST 1 INCH (25.4mm) behind the panel so the tweeter has adequate clearance. Remember when using a hole saw the thickness of the saw teeth will add to the cut diameter. Mount the surface cup at the desired angle with provided screws in the tweeter mounting kit. Route speaker wires through tweeter cup, connect the tweeter to wires, and snap the tweeter into the cup by aligning the notches in the tweeter cup with the notches in the tweeter base. Be careful not to push on the center of the tweeter grill.



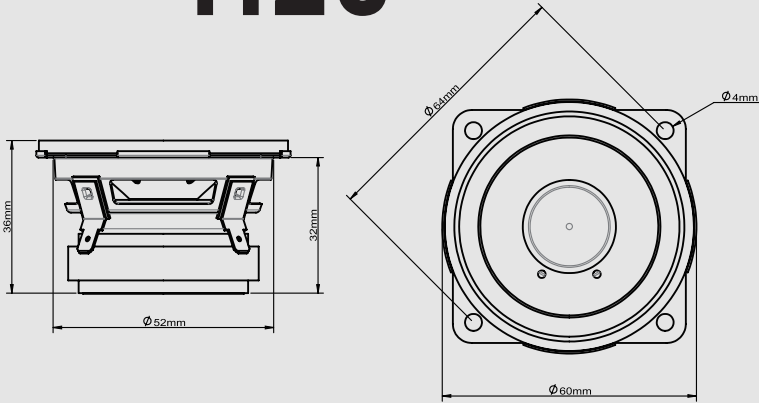
Crossover Installation

Install in a well ventilated area whenever possible. If you must install the passive crossovers in the doors due to the use of factory wiring. As you "feed" into the door cavity, ensure that the crossover is installed behind the door panel instead of inside the door itself. This will offer the greatest capacity for avoiding any water damage caused by rain or moisture. Also avoid placing it near factory wiring looms to ensure no radiated noise problems. Connect the input side labeled "AMP" of each passive crossover to the amplifier's speaker output terminals. Be sure to observe correct polarity for positive and negative terminals. Next, connect the middle terminals labeled "MID" to the midrange speaker. Be sure that the wiring is protected all the way to the terminal and that the wires are secure at both the speaker and passive crossover. Finally, connect the end terminals on the far right hand side labeled "TWT" to the tweeter. Be careful to observe the correct polarity when connecting the tweeter to its lead wires as these are smaller gauge and require care and patience to connect correctly.

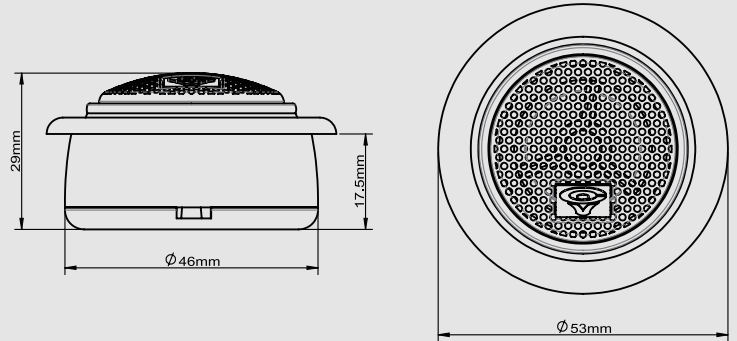
Features

MODEL	TYPE	POWER HANDLING
H25	2.5" full range speaker set -	60W MAX / 20W RMS POWER HANDLING
HT34	3/4" Soft Dome Tweeter Kit -	50W MAX / 20W RMS POWER HANDLING
H35	3.5" 2-way coaxial speaker set -	120W MAX / 40W RMS POWER HANDLING
H40	4 2-way coaxial speaker set -	150W MAX / 50W RMS POWER HANDLING
H4C	4 2-way component speaker set -	240W MAX / 80W RMS POWER HANDLING
H46	4 X 6" 2-way coaxial speaker set -	150W MAX / 50W RMS POWER HANDLING
H410	4 X 10" 2-way coaxial speaker set -	210W MAX / 70W RMS POWER HANDLING
H52	5.25" 2-way coaxial speaker set -	210W MAX / 70W RMS POWER HANDLING
H525C	5.25" 2-way component speaker set -	300W MAX / 100W RMS POWER HANDLING
H652	6.5" 2-way coaxial speaker set -	270W MAX / 90W RMS POWER HANDLING
H653	6.5" 3-way coaxial speaker set -	270W MAX / 90W RMS POWER HANDLING
H65C	6.5" 2-way component speaker set -	360W MAX / 120W RMS POWER HANDLING
H672	6.75" 2-way coaxial speaker set -	270W MAX / 90W RMS POWER HANDLING
H675C	6.75" 2-way component speaker set -	360W MAX / 120W RMS POWER HANDLING
H682	6 X 8" 2-way coaxial speaker set -	270W MAX / 90W RMS POWER HANDLING
H683	6 X 8" 3-way coaxial speaker set -	270W MAX / 90W RMS POWER HANDLING
H68C	6 X 8" 2-way component speaker set -	360W MAX / 120W RMS POWER HANDLING
H692	6 X 9" 2-way coaxial speaker set -	360W MAX / 120W RMS POWER HANDLING
H693	6 X 9" 2-way coaxial speaker set -	360W MAX / 120W RMS POWER HANDLING
H694	6 X 9" 4-way coaxial speaker set -	360W MAX / 120W RMS POWER HANDLING
H69C	6 X 9" 2-way component speaker set -	450W MAX / 150W RMS POWER HANDLING
H80C	8" 2-way component speaker set -	450W MAX / 150W RMS POWER HANDLING

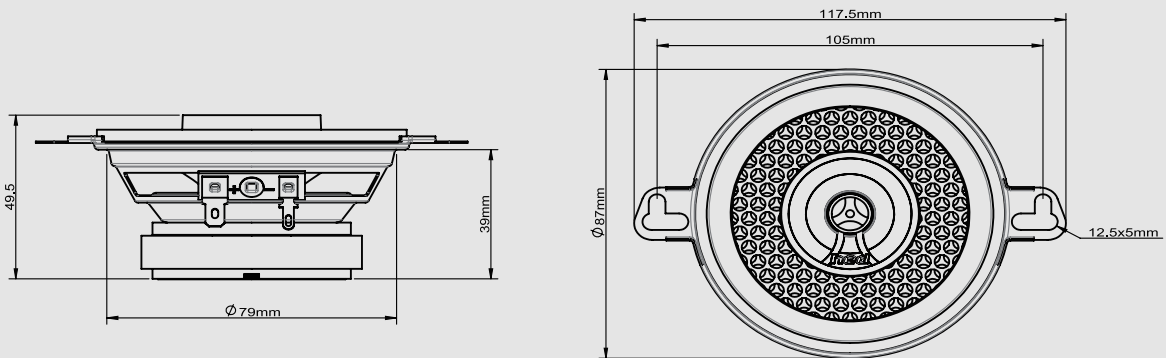
H25



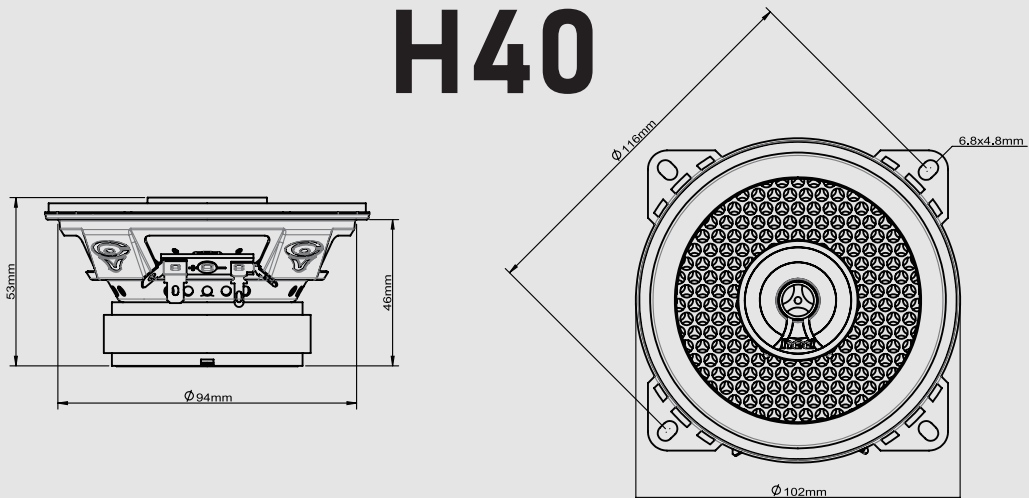
HT34



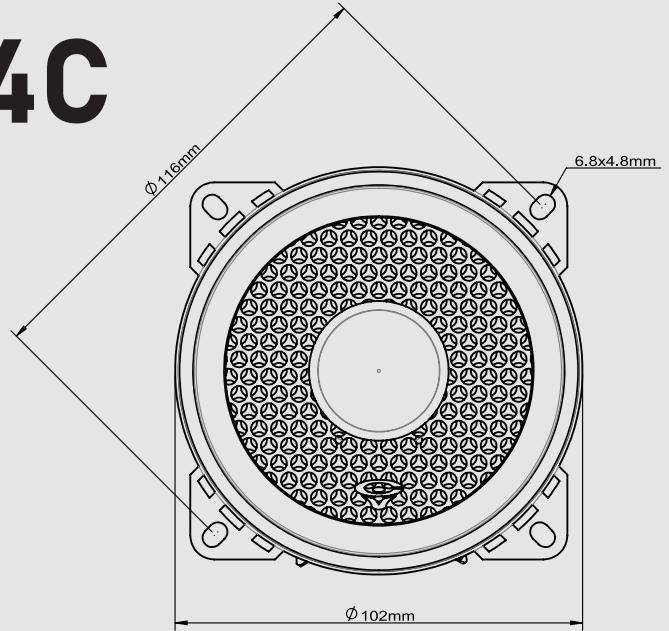
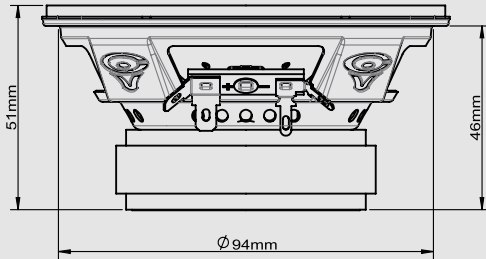
H35



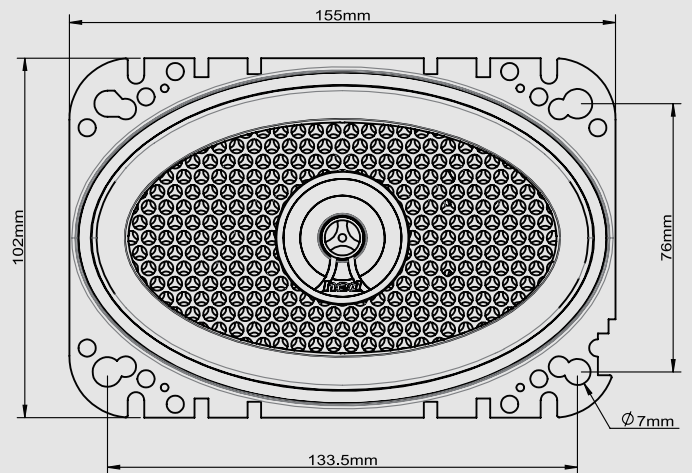
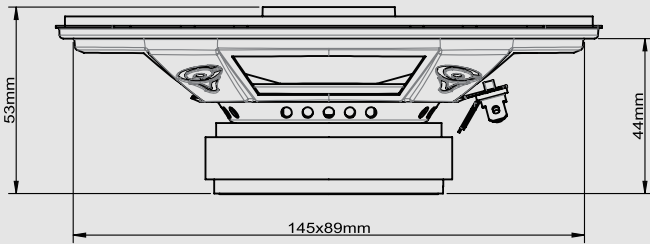
H40



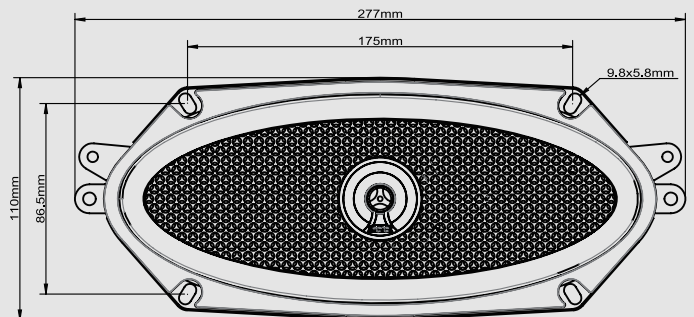
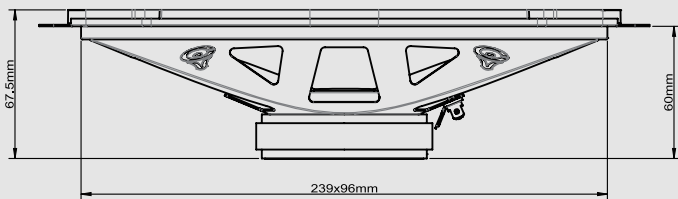
H4C



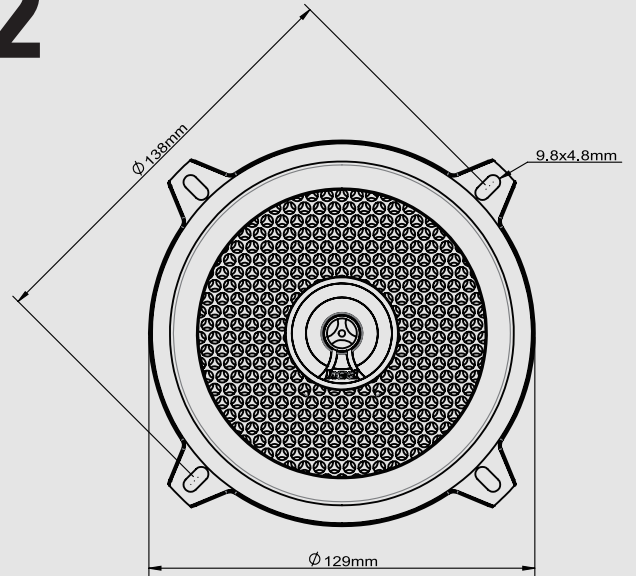
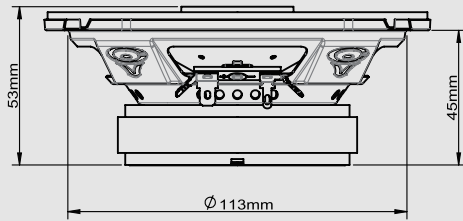
H46



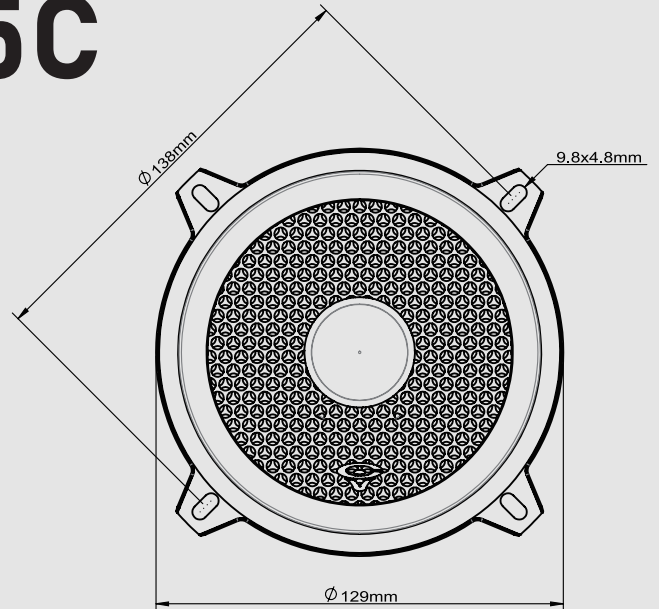
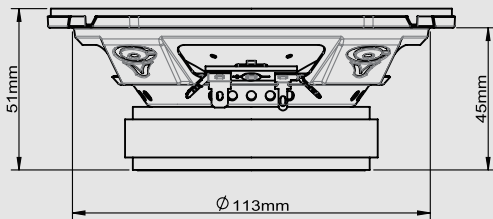
H410



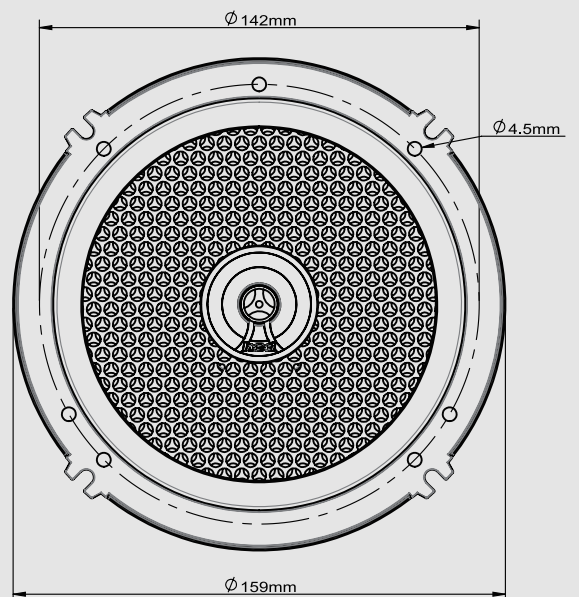
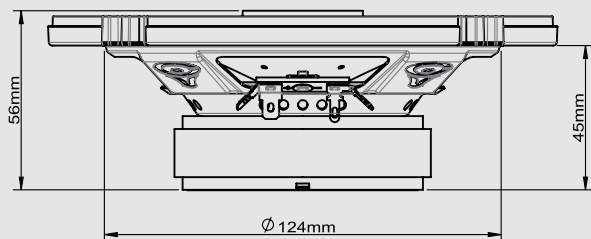
H52



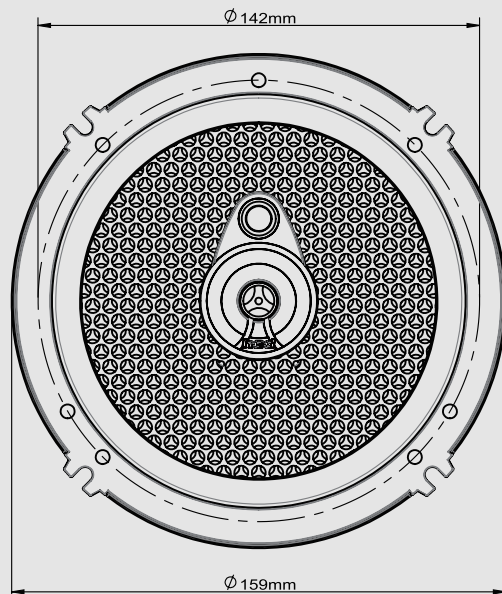
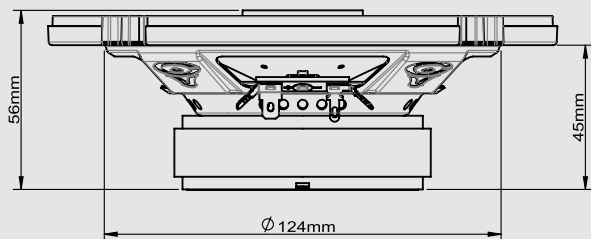
H525C



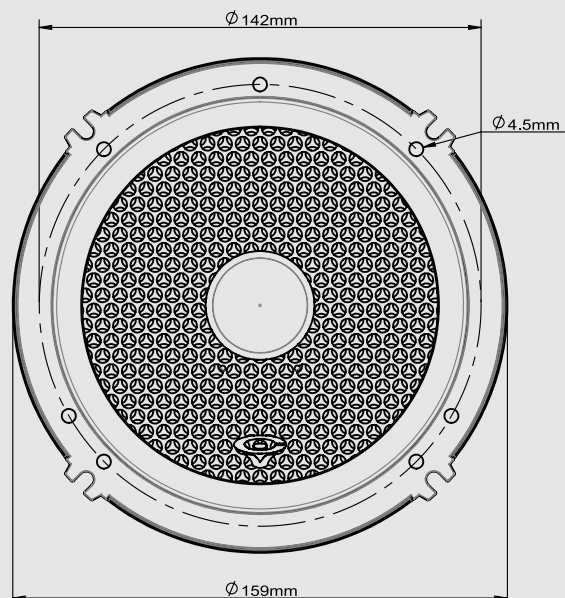
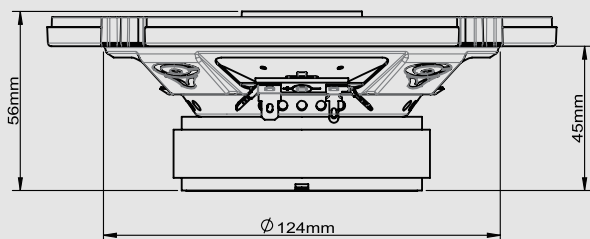
H652



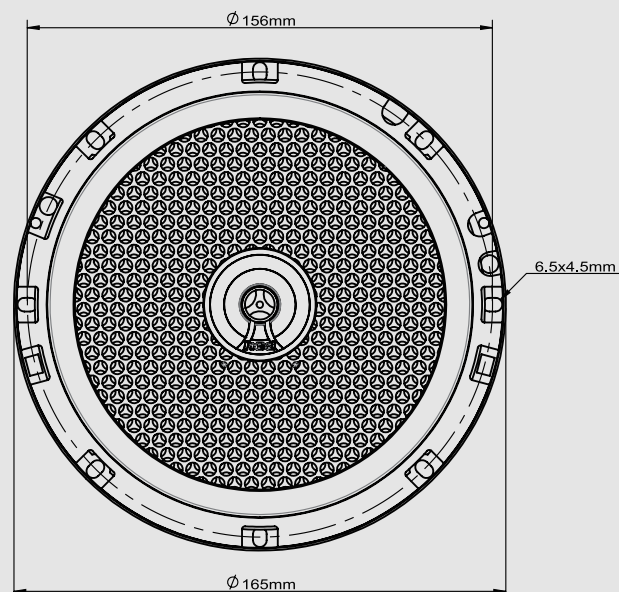
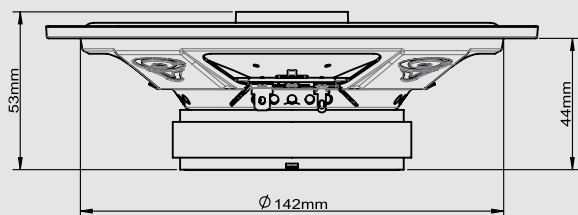
H653



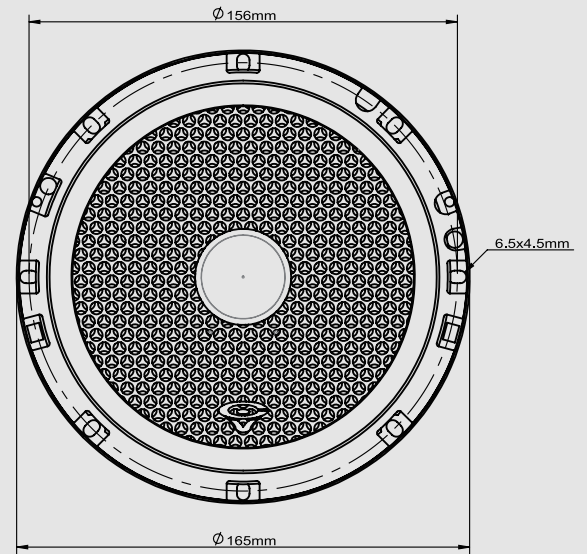
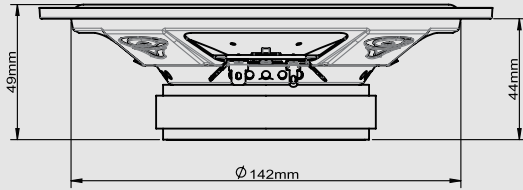
H65C



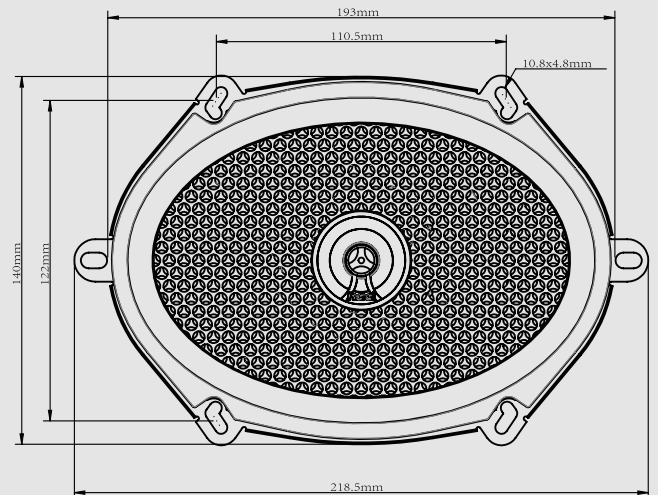
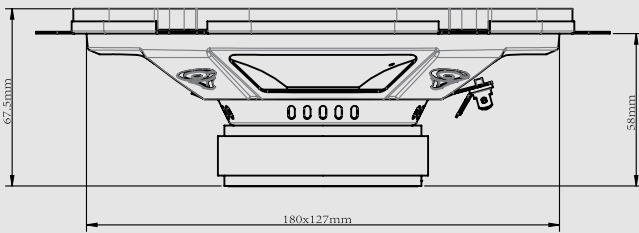
H672



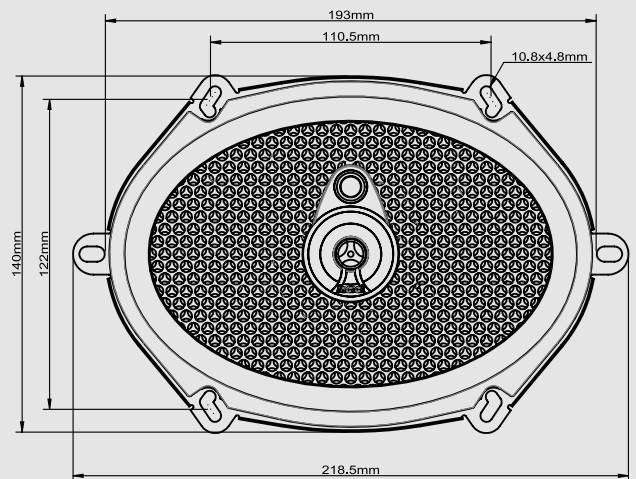
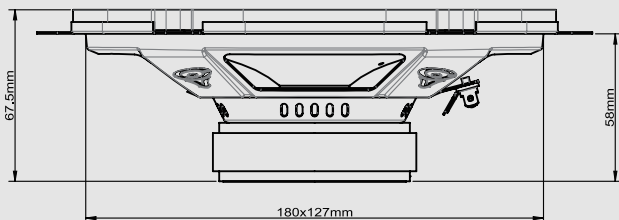
H675C



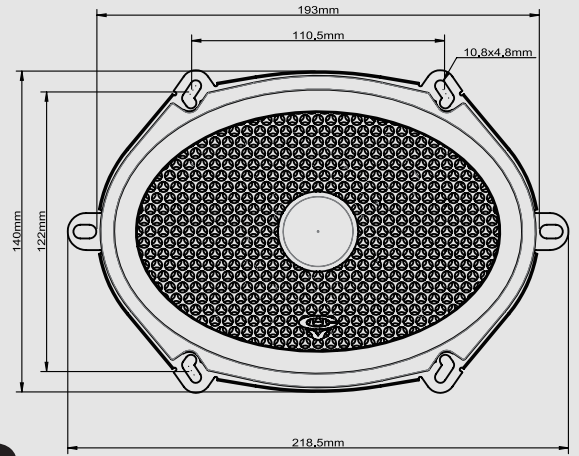
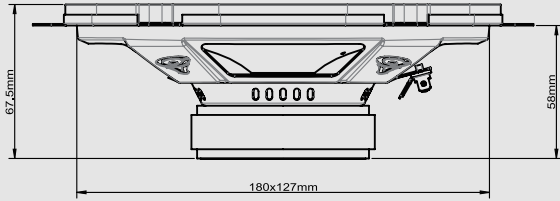
H682



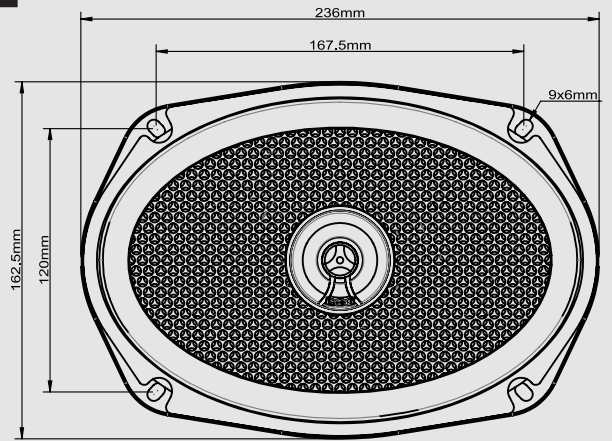
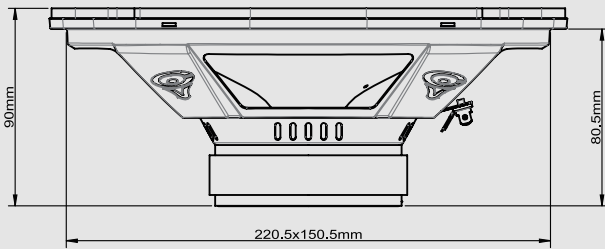
H683



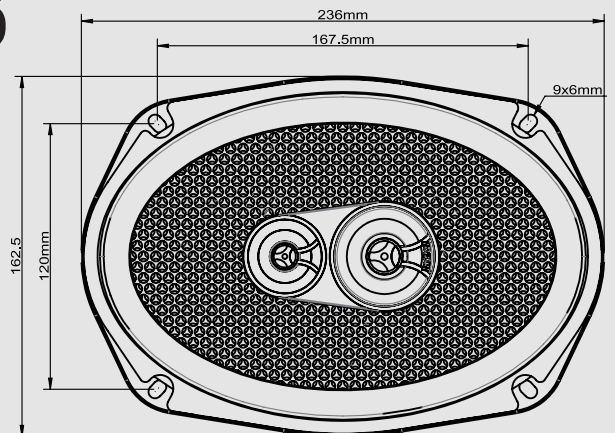
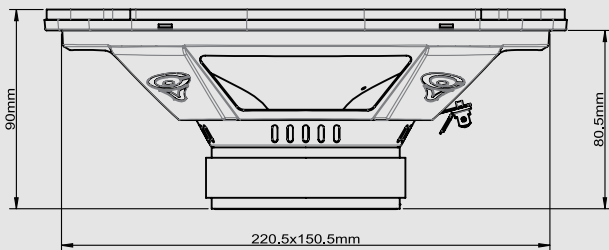
H68C



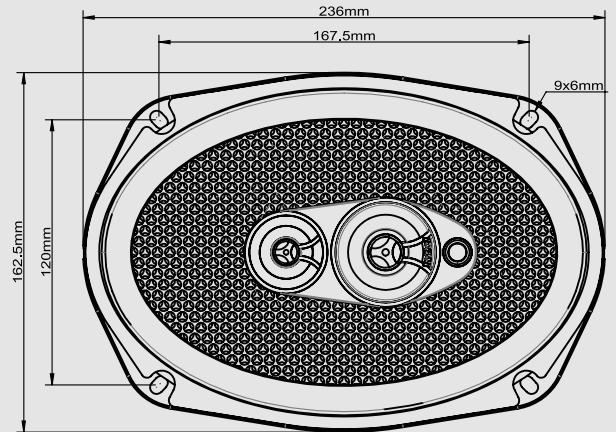
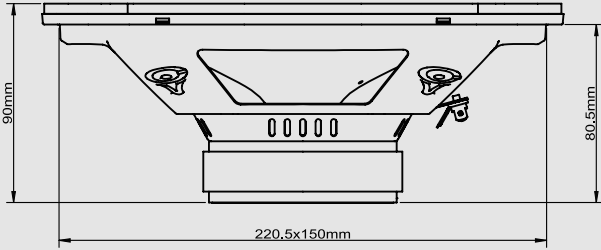
H692



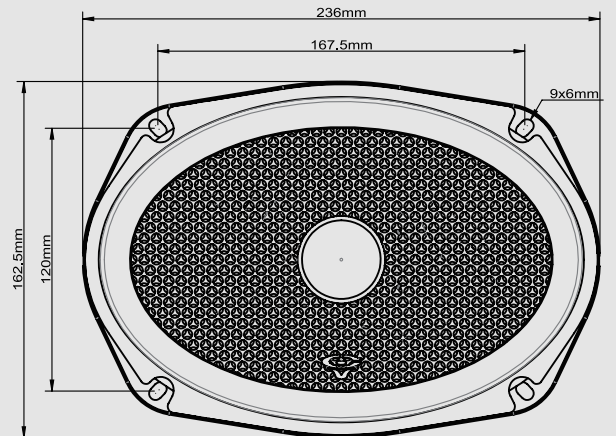
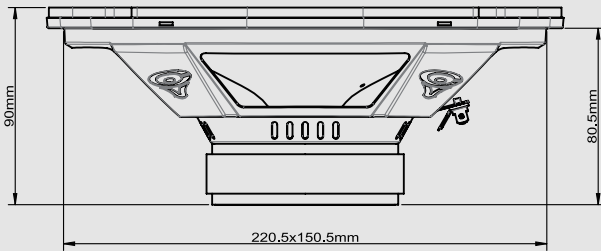
H693



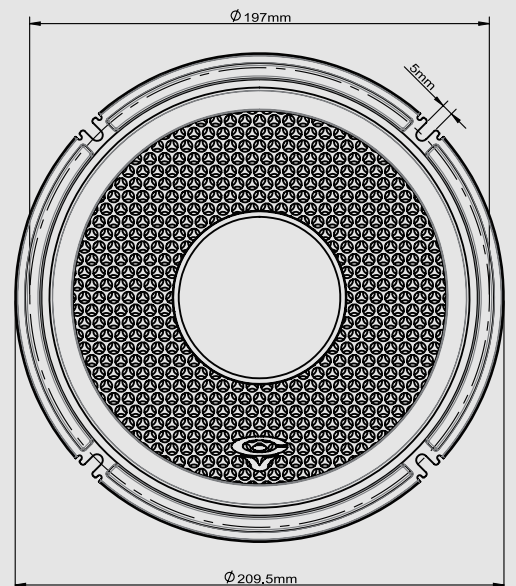
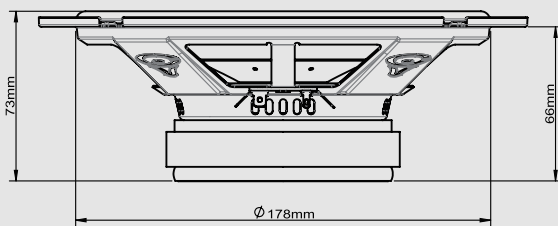
H694



H69C



H80C



Specifications

Model	H25	HT34	H35	H40	H4C	H46
Nominal Diameter -inch (mm)	2.5" (64)	0.75" (19)	3.5" (89)	4" (102)	4" (102)	4x6" (102x152)
Description	Full Range	Tweeter kit	2-Way	2-Way	2-Way	2-Way
Power Handling -Watts (RMS/Peak)	20/60	20/50	40/120	50/150	80/240	50/150
Frequency Response (Hz)	83Hz-20KHz	1900Hz-20KHz	84Hz-20KHz	85Hz-20KHz	84Hz-20KHz	83Hz-20KHz
Sensitivity (1W/1M)	82dB	91dB	83dB	84dB	83dB	83dB
Nominal Impedance (Ohm)	4	4	4	4	4	4
Free-Air Resonance (Hz)	349	2744	145	99	92	110
Mounting Depth -inch (mm)	1.26" (32)	0.69" (17.5)	1.54" (39)	1.81" (46)	1.81" (46)	1.73" (44)
Cut-Out Diameter-inch (mm)	2.05" (52)	1.81" (46)	3.11" (79)	3.70" (94)	3.70" (94)	5.71 X 3.50" (145 X 89)
Overall Diameter -inch (mm)	2.36" (60)	2.09" (53)	3.43" (87)	4.02" (102)	4.02" (102)	6.10 X 4.02" (155 X 102)
Overall Height -inch (mm)	1.42" (36)	1.14" (29)	1.95" (49.5)	2.09" (53)	2.01" (51)	2.09" (53)
Grille	No	No	No	Yes	Yes	No

Specifications

Model	H410	H52	H525C	H652	H653	H65C
Nominal Diameter -inch (mm)	4x10" (102x254)	5.25" (133)	5.25" (133)	6.5" (165)	6.5" (165)	6.5" (165)
Description	2-Way	2-Way	2-Way	2-Way	3-Way	2-Way
Power Handling -Watts (RMS/Peak)	70/210	70/210	100/300	90/270	90/270	120/360
Frequency Response (Hz)	90Hz-20KHz	88Hz-20KHz	87Hz-20KHz	89Hz-20KHz	89Hz-20KHz	88Hz-20KHz
Sensitivity (1W/1M)	89dB	87dB	86dB	88dB	88dB	87dB
Nominal Impedance (Ohm)	4	4	4	4	4	4
Free-Air Resonance (Hz)	82	82	76	79	79	79
Mounting Depth -inch (mm)	2.36" (60)	1.77" (45)	1.77" (45)	1.77" (45)	1.77" (45)	1.77" (45)
Cut-Out Diameter-inch (mm)	9.41 X 3.78" (239 X 96)	4.45" (113)	4.45" (113)	4.88" (124)	4.88" (124)	4.88" (124)
Overall Diameter -inch (mm)	10.90 X 4.33" (277 X 110)	5.08" (129)	5.08" (129)	6.26" (159)	6.26" (159)	6.26" (159)
Overall Height -inch (mm)	2.66" (67.5)	2.09" (53)	2.01" (51)	2.20" (56)	2.20" (56)	2.13" (54)
Grille	No	Yes	Yes	YES	YES	YES

Specifications

Model	H672	H675C	H682	H683	H68C
Nominal Diameter -inch (mm)	6.75" (171)	6.75" (171)	6x8" (152x203)	6x8" (152x203)	6x8" (152x203)
Description	2-Way	2-Way	2-Way	3-Way	2-Way
Power Handling -Watts (RMS/Peak)	90/270	120/360	90/270	90/270	120/360
Frequency Response (Hz)	87Hz-20KHz	88Hz-20KHz	87Hz-20kHz	87Hz-20KHz	86Hz-20KHz
Sensitivity (1W/1M)	86dB	87dB	87dB	87dB	86dB
Nominal Impedance (Ohm)	4	4	4	4	4
Free-Air Resonance (Hz)	70	67	76	76	73
Mounting Depth -inch (mm)	1.73" (44)	1.73" (44)	2.28" (58)	2.28" (58)	2.28" (58)
Cut-Out Diameter-inch (mm)	5.59" (142)	5.59" (142)	7.09 X 5.00" (180 X 127)	7.09 X 5.00" (180 X 127)	7.09 X 5.00" (180 X 127)
Overall Diameter -inch (mm)	6.50" (165)	6.50" (165)	7.60 X 5.51" (193 X 140)	7.60 X 5.51" (193 X 140)	7.60" X 5.51" (193 X 140)
Overall Height -inch (mm)	2.09" (53)	1.93" (49)	2.66" (67.5)	2.66" (67.5)	2.66" (67.5)
Grille	No	No	No	No	YES

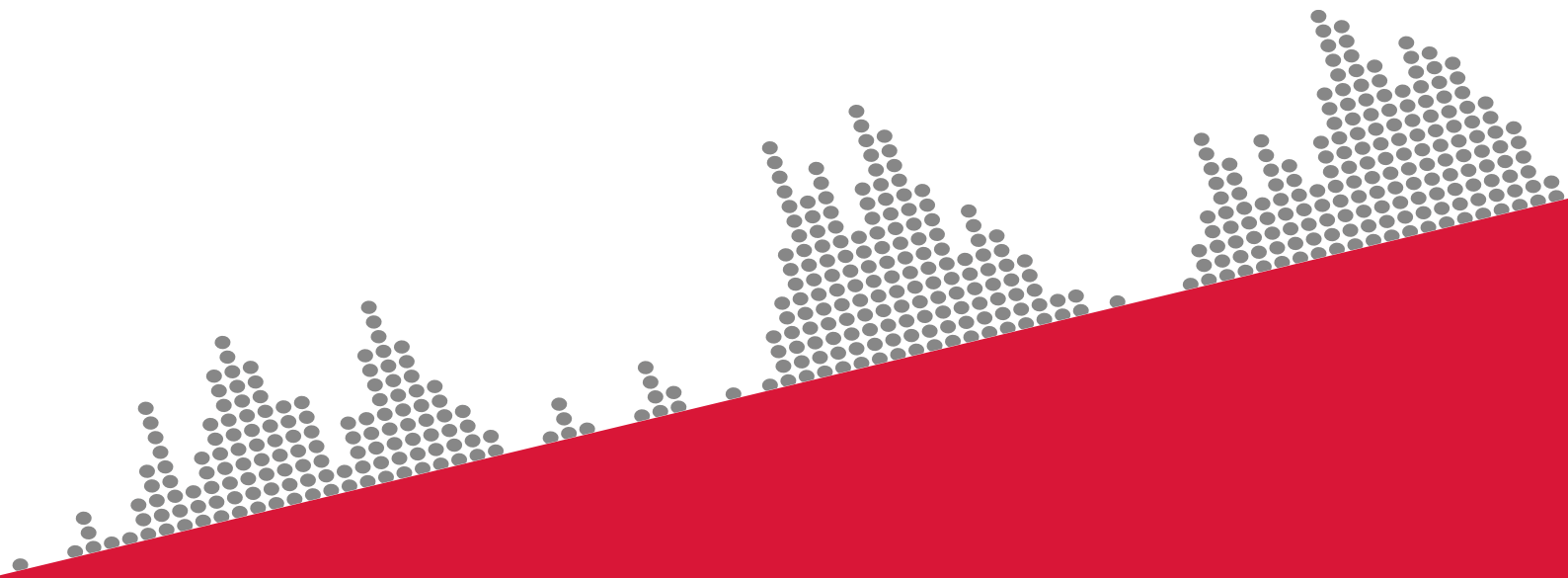
Specifications

Model	H692	H693	H694	H69C	H80C
Nominal Diameter -inch (mm)	6x9" (152x229)	6x9" (152x229)	6x9" (152x229)	6x9" (152x229)	8" (203)
Description	2-Way	3-Way	4-Way	2-Way	2-Way
Power Handling -Watts (RMS/Peak)	120/360	120/360	120/360	150/450	150/450
Frequency Response (Hz)	92Hz-20KHz	90Hz-20KHz	90Hz-20KHz	90Hz-20KHz	91Hz-20KHz
Sensitivity (1W/1M)	91dB	90dB	90dB	90dB	90dB
Nominal Impedance (Ohm)	4	4	4	4	4
Free-Air Resonance (Hz)	63	63	63	60	56
Mounting Depth -inch (mm)	3.17" (80.5)	3.17" (80.5)	3.17" (80.5)	3.17" (80.5)	2.60" (66)
Cut-Out Diameter-inch (mm)	8.68 X 5.93" (220.5 X 150.5)	8.68 X 5.93" (220.5 X 150.5)	8.68" X 5.93" (220.5 X 150.5)	8.68" X 5.93" (220.5 X 150.5)	7.00" (178)
Overall Diameter -inch (mm)	9.29 X 6.40" (236 X 162.5)	9.29 X 6.40" (236 X 162.5)	9.29" X 6.40" (236 X 162.5)	9.29" X 6.40" (236 X 162.5)	8.25" (209.5)
Overall Height -inch (mm)	3.54" (90)	3.54" (90)	3.54" (90)	3.54" (90)	2.87" (73)
Grille	Yes	Yes	Yes	Yes	No

CERWIN VEGA (a division of CV & DA Holdings, Inc.) warrants this product to be free from defects in material and workmanship for a period of one (1) year from the original date of purchase provided, it was purchased from an authorized Cerwin Vega, retailer within the United States.

THIS WARRANTY IS NOT TRANSFERABLE AND APPLIES ONLY TO THE ORIGINAL PURCHASE OF THIS PRODUCT IN ITS ORIGINAL INSTALLATION. The original purchaser must reside in the United States and be able to provide proof of purchase and installation with the sales from the authorized Cerwin Vega retailer and completion of online registration that sold and installed the product.

Should a manufacturing defect occur during above said warranty period, Cerwin Vega will replace or repair the defective product with a product of the same or equivalent value and performance. Damage or failure caused by any of the following is not covered under this warranty policy: burnt voice coils, negligence, improper use, abuse, product modification, unauthorized repair attempts, accident, acts of God, misrepresentations by Cerwin Vega retailers, and improper/inadequate packaging during return shipping.



 **CERWIN-VEGA!**[®]

cerwinvega.com