

 **CERWIN-VEGA!**<sup>®</sup>

*vega*  
**SERIES**  
**SPEAKERS**



VT1/V25/V3/V4/V46/V410/V525/V65/V652/V65C/  
V675/V68/V69/V692/V693/V69C/V80C/V6525C/V6925C

**MANUAL**

Enhance your sound with Cerwin Vega's Vega Series speakers, designed to transform every drive into an immersive and breathtaking experience! These speakers deliver impactful, crystal-clear audio thanks to the responsive hybrid carbon fibre - polypropylene cone, which ensures that every beat and note is delivered precisely. The trademark Cerwin-Vega red Santoprene rubber surround allows great excursion and ensures reliability for years.

Experience precision audio clarity with the dynamically balanced soft dome tweeters backed by a neodymium magnet for high-frequency brilliance. The integrated crossover with tweeter protection ensures smooth, distortion-free sound regardless of volume.

That combination, combined with a strontium ferrite woofer magnet, gives the intense and enveloping sound you'd expect from Cerwin Vega. The powder-coated, rigid stamped steel basket keeps vibration and distortion out; install Cerwin Vega's Vega Series in your next project and get your music right!

## Installing the Speakers

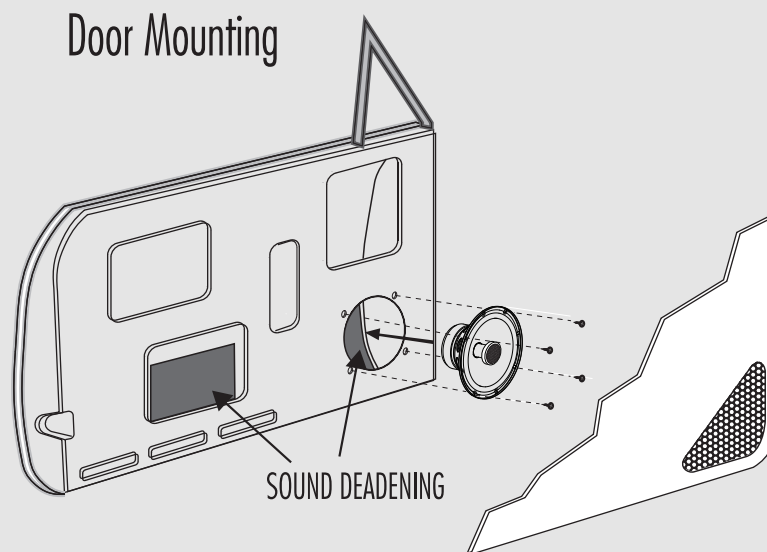
Your new Cerwin Vega VEGA series speakers were designed with the flexibility to be installed in multiple locations. However, to ensure the best performance possible, it is important to isolate the front sound waves of the speaker from its rear sound waves. This is done by securely mounting the speaker to a flat surface known as a baffle. Make sure to seal the speaker to ensure there are no air leaks around its frame.

## Selecting a Location

If your vehicle has existing factory locations, the easiest method would be to replace them with the exact same size speaker. In the case where there is not a factory speaker location, there are many places where the speakers will fit in a vehicle, but they are not always the best locations for good sound. Make sure to take the time to select the best locations possible. Mounting the speakers so that they are equal distance from your ears will achieve the best results. If you experience any difficulties, please consult with your local authorized Cerwin-Vega Mobile dealer. They have the tools and know-how to help

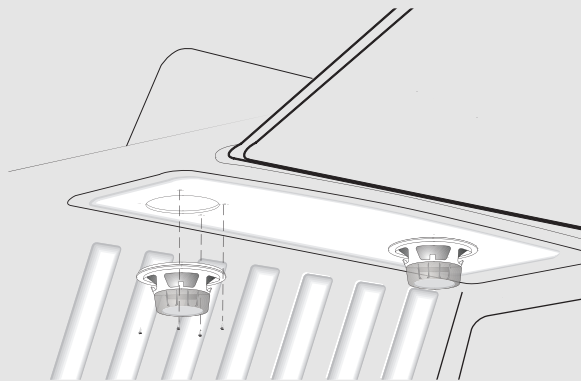
## Door Mounting (if not using factory locations)

Prior to cutting, remove the panel from the door and check for clearance in the intended installation area, making sure the window will go all the way up and down without any interference. Avoid cutting any structural metal support or braces to mount the speakers. We **HIGHLY** recommend that for the **BEST** sound you put a sound deadening mat on the door "skin" (as shown below). The more "damped" your car is .... the better it will ultimately sound !!!



## Rear Deck Mounting

There are two primary methods for mounting speakers in the rear deck of a vehicle, top and bottom mounting. Top mounting requires dropping the speakers in through the deck (interior) while bottom mounting secures the speakers from underneath (trunk). Either method requires a good seal around the frame for the best performance.

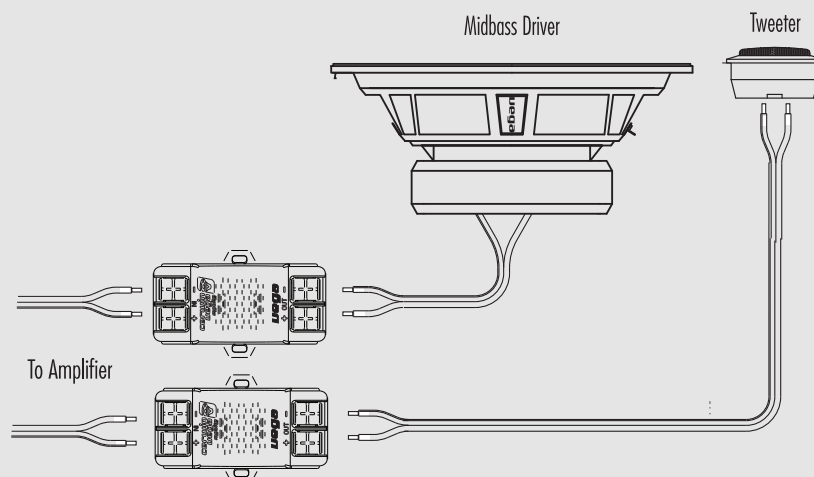


## Running New Wiring

In most cases when mounting new speakers you will use the factory supplied wiring, but if new wires have to be run there are some precautions that need to be taken. If the wire needs to run through metal, such as a door jamb, always use a grommet to prevent damage to your wires. Never run wire through bare metal! This can damage the source unit, amp, or even the speakers themselves. Safety of the wiring against short circuits is **THE MOST IMPORTANT INSTALLATION CONCERN**.

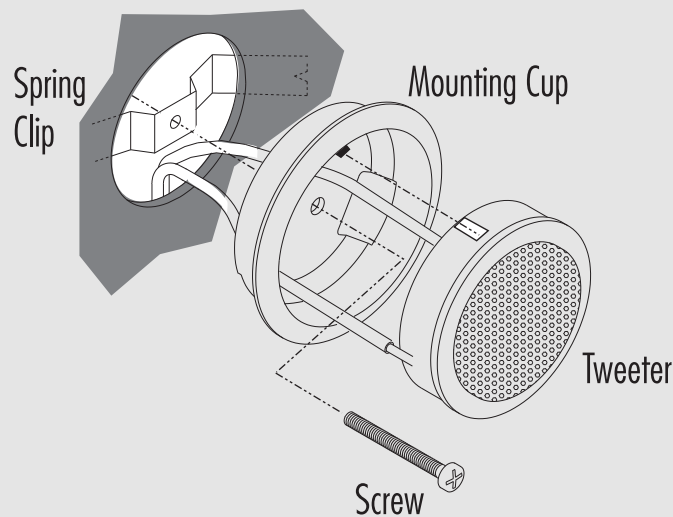
The illustration below shows how to connect one channel of the V65C/V69C V80C/V6925C/V6525C component system

(VT1 is similar in connection, but just amplifier input and tweeter output only)



## Tweeter Installation

When flush or surface mounting tweeters, make sure the desired location can accommodate the hole sizes and depth required. The tweeter can also be surface mounted atop the dash, door, or rear deck. Mount cup using the provided hardware, flush mount illustration shown below. The flush mount bezel requires cutting a 1.85" (47mm) round opening. Be sure there is AT LEAST 1 INCH (25.4mm) behind the panel so the tweeter has adequate clearance. Remember when using a hole saw the thickness of the saw teeth will add to the cut diameter. Mount the surface cup at the desired angle with provided screws in the tweeter mounting kit. Route speaker wires through tweeter cup, connect the tweeter to wires, and snap the tweeter into the cup by aligning the notches in the tweeter cup with the notches in the tweeter base. Be careful not to push on the center of the tweeter grill.



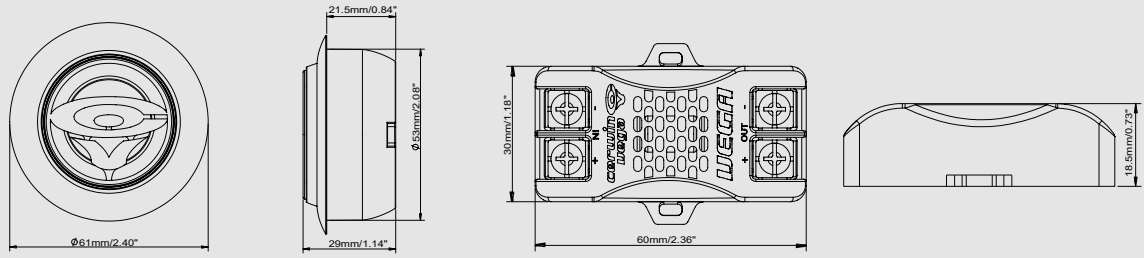
## Crossover Installation

Install in a well ventilated area whenever possible. If you must install the passive crossovers in the doors due to the use of factory wiring. As you "feed" into the door cavity, ensure that the crossover is installed behind the door panel instead of inside the door itself. This will offer the greatest capacity for avoiding any water damage caused by rain or moisture. Also avoid placing it near factory wiring looms to ensure no radiated noise problems. Connect the input side labeled "AMP" of each passive crossover to the amplifier's speaker output terminals. Be sure to observe correct polarity for positive and negative terminals. Next, connect the middle terminals labeled "MID" to the midrange speaker. Be sure that the wiring is protected all the way to the terminal and that the wires are secure at both the speaker and passive crossover. Finally, connect the end terminals on the far right hand side labeled "TWT" to the tweeter. Be careful to observe the correct polarity when connecting the tweeter to its lead wires as these are smaller gauge and require care and patience to connect correctly.

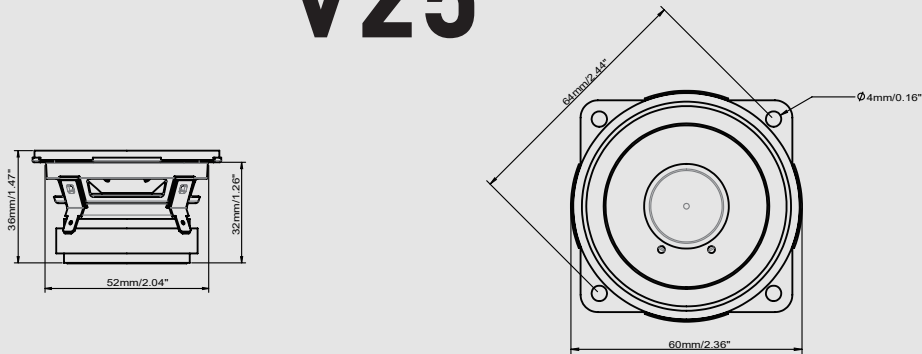
# Features

<b>MODEL</b>	<b>TYPE</b>	<b>POWER HANDLING</b>
VT1	1" Softdome Tweeter Kit	180W MAX / 60W RMS POWER HANDLING
V25	2.5" Mid range Speaker Set	60W MAX / 20W RMS POWER HANDLING
V3	3" Coaxial Speaker Set	180W MAX / 60W RMS POWER HANDLING
V4	4" Coaxial Speaker Set	240W MAX / 80W RMS POWER HANDLING
V46	4 x 6" Coaxial Speaker Set	180W MAX / 60W RMS POWER HANDLING
V410	4 x 10" Coaxial Speaker Set	270W MAX / 90W RMS POWER HANDLING
V525	5.25" Coaxial Speaker Set	300W MAX / 100W RMS POWER HANDLING
V65/V652	6.5" Coaxial Speaker Set	360W MAX / 120W RMS POWER HANDLING
V65C	6.5" Component Speaker Set	420W MAX / 140W RMS POWER HANDLING
V675	6.75" Coaxial Speaker Set	360W MAX / 120W RMS POWER HANDLING
V68	6 x 8" Coaxial Speaker Set	300W MAX / 100W RMS POWER HANDLING
V69/V692	6 x 9" Coaxial Speaker Set	420W MAX / 140W RMS POWER HANDLING
V693	6 x 9" Triaxial Speaker Set	420W MAX / 140W RMS POWER HANDLING
V69C	6 x 9" Component Speaker Set	480W MAX / 160W RMS POWER HANDLING
V80C	8" Component Speaker Set	540W MAX / 180W RMS POWER HANDLING
V6525C	6.5" & 2.5" & 1" 3-Way Component Speaker Set	360W MAX / 120W RMS POWER HANDLING
V6925C	6 x 9" & 2.5" & 1" 3-Way Component Speaker Set	420W MAX / 140W RMS POWER HANDLING

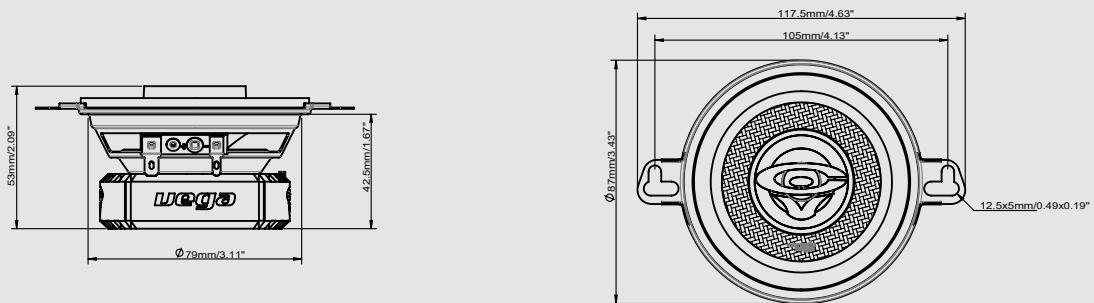
## VT1



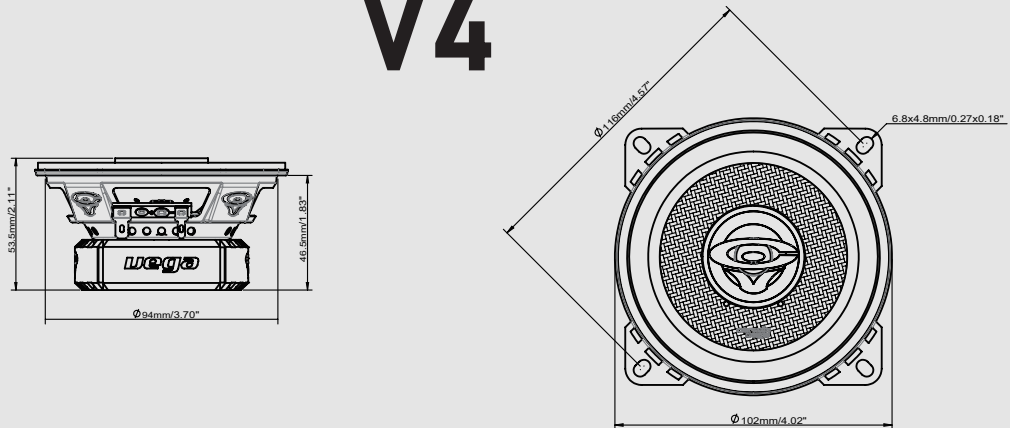
## V25



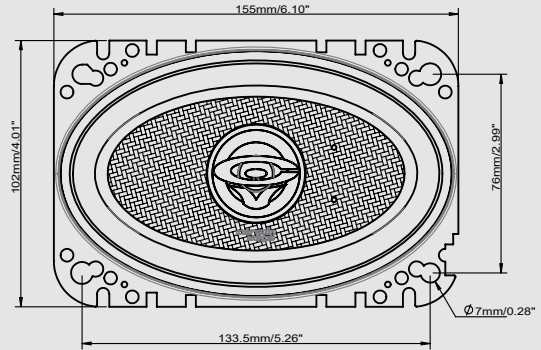
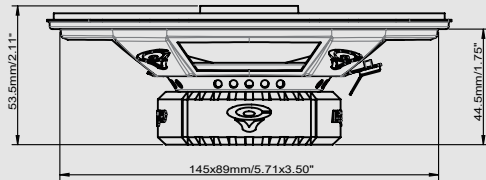
## V3



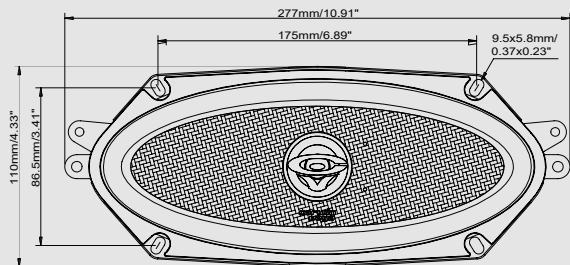
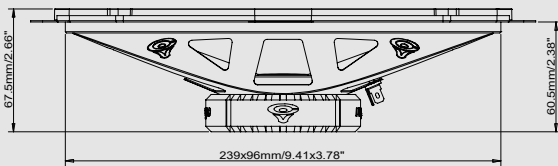
## V4



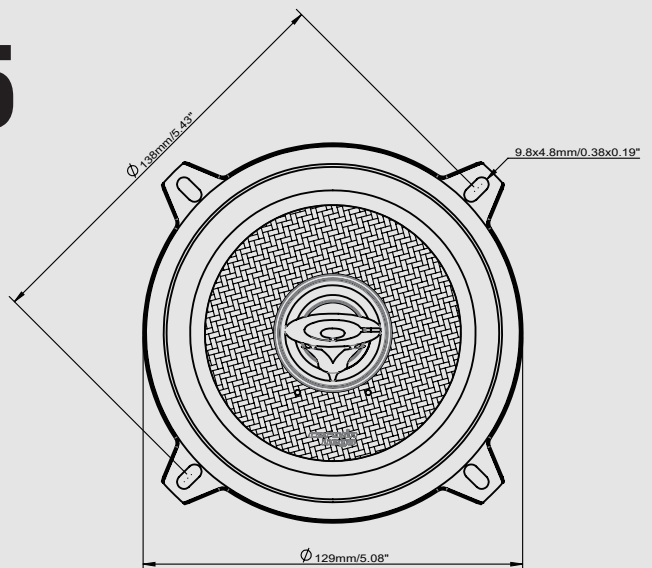
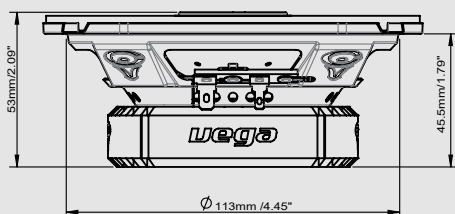
## V46



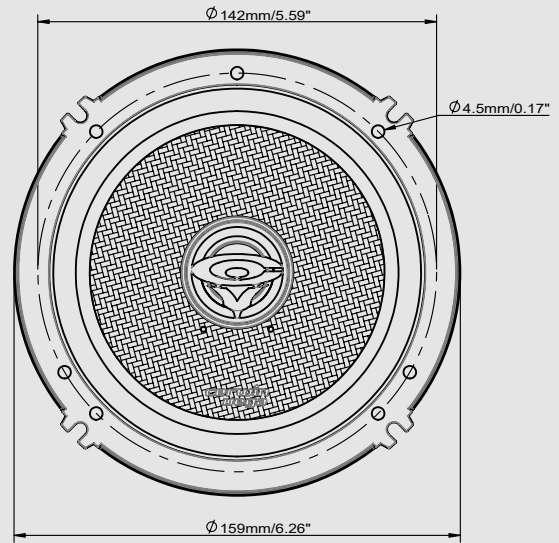
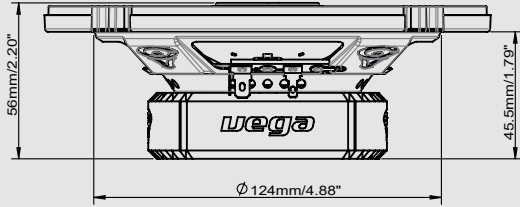
## V410



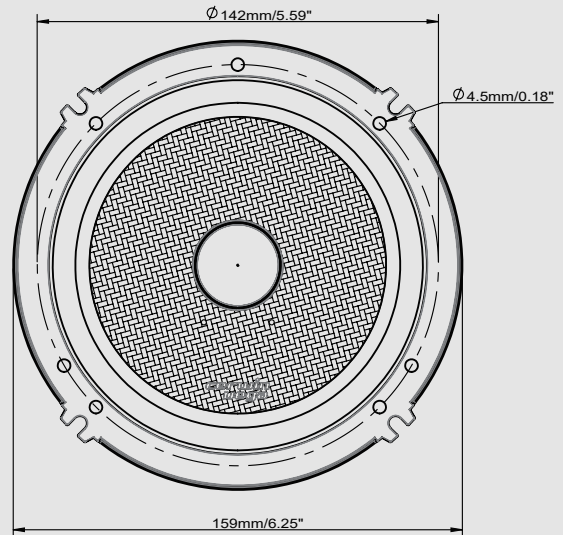
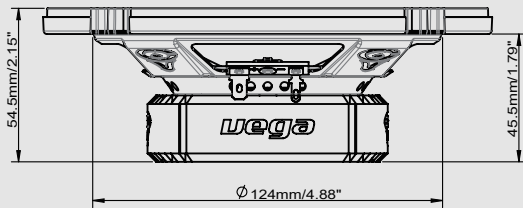
## V525



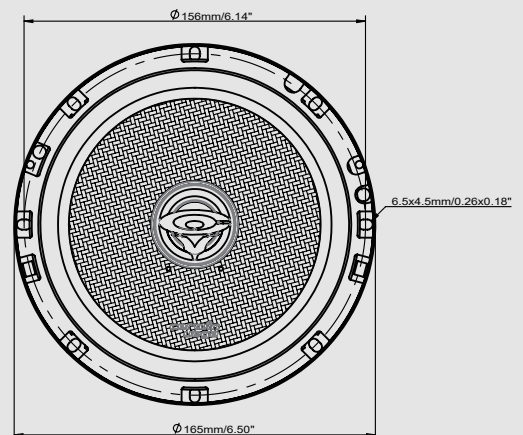
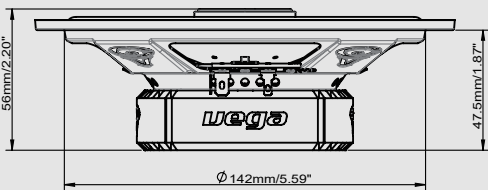
## V65/V652



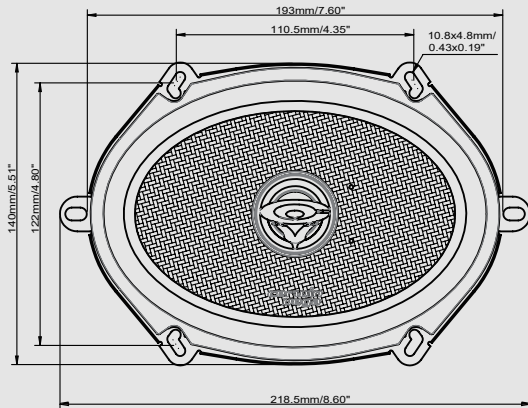
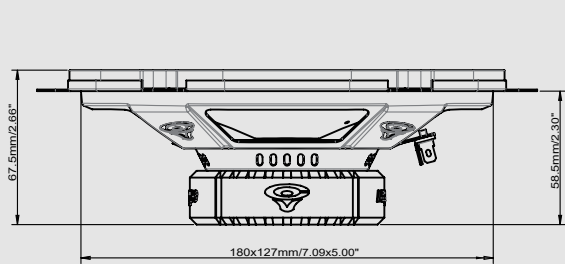
## V65C



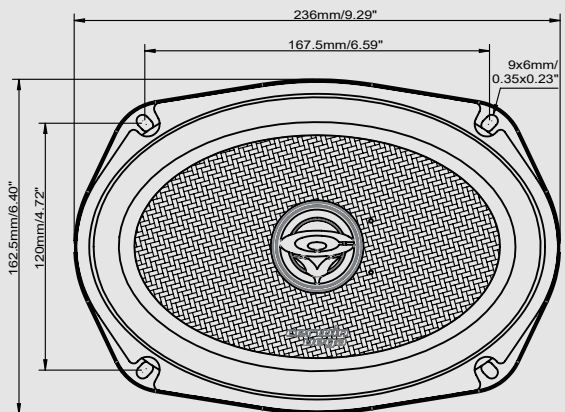
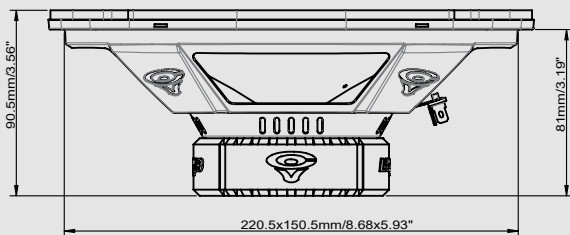
## V675



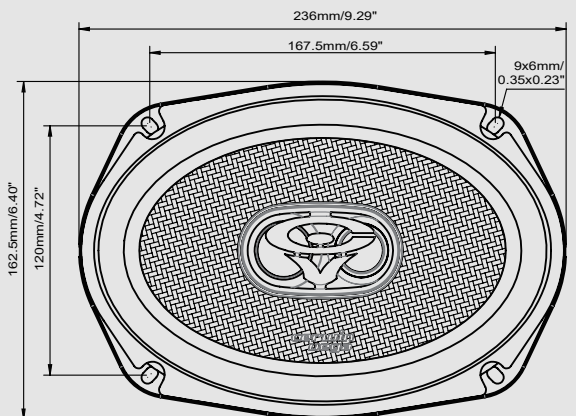
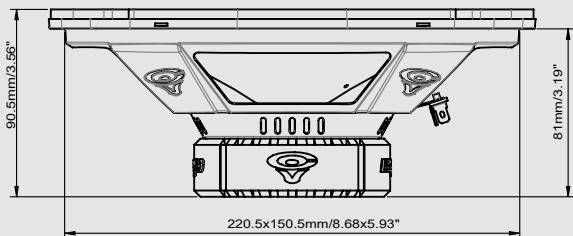
## V68



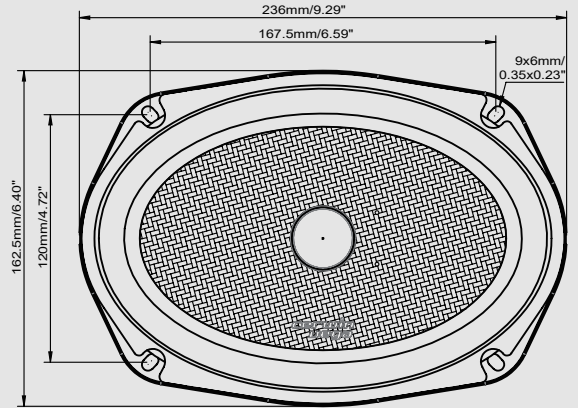
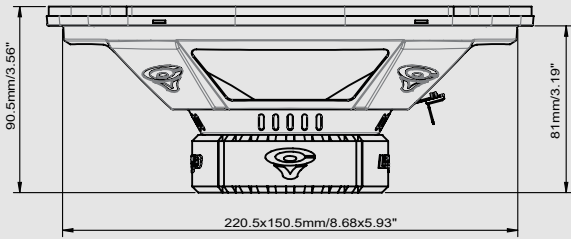
## V69/V692



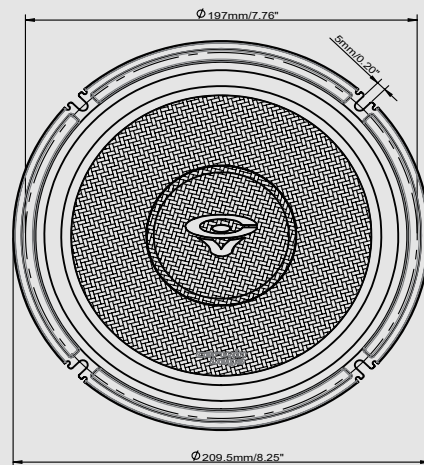
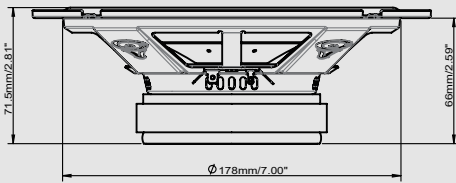
## V693



## V69C

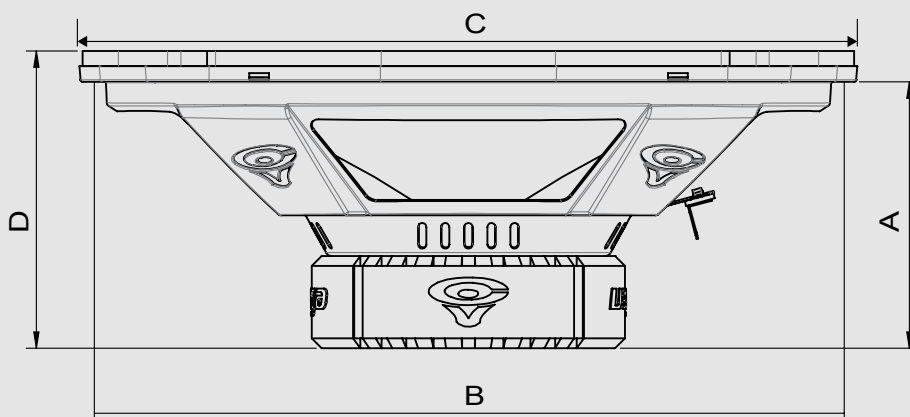


## V80C



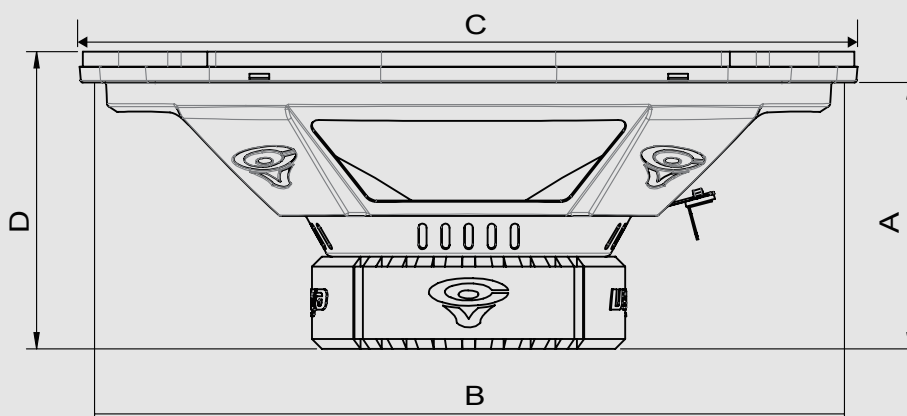
# Specifications

Model	VT1	V25	V3	V4	V46	V410
Nominal Diameter -inch (mm)	1" (25)	2.5" (63.5)	3" (76.2)	4" (100)	4 X 6" (100 X 152)	4 X 10" (101 X 254)
Description	Tweeter kit	Mid Range	2-Way	2-Way	2-Way	2-Way
Power Handling -Watts (RMS/Peak)	60/180	20/60	60/180	80/240	60/180	90/270
Frequency Response (Hz)	91Hz-20KHz	85Hz-20KHz	84Hz-20KHz	84Hz-20KHz	87Hz-20KHz	92Hz-20KHz
Sensitivity (1W/1M)	90dB	83dB	83dB	83dB	86dB	90dB
Nominal Impedance (Ohm)	4	4	4	4	4	4
Free-Air Resonance (Hz)	56	376	177	122	107	82
Mounting Depth -inch (A) (mm)	0.846" (21.5)	1.26" (32)	1.67" (42.5)	1.83" (46.5)	1.75" (44.5)	2.38" (60.5)
Cut-Out Diameter-inch (B) (mm)	2.09" (53)	2.05" (52)	3.11" (79)	3.70" (94)	5.71 X 3.50" (145 X 89)	9.41 X 3.78" (239 X 96)
Overall Diameter -inch (C) (mm)	2.40" (61)	2.36" (60)	3.43" (87)	4.02" (102)	6.10 X 4.02" (155 X 102)	10.91 X 4.33" (277 X 110)
Overall Height -inch (D) (mm)	1.14" (29)	1.42" (36)	2.09" (53)	2.10" (53.5)	2.11" (53.5)	2.66" (67.5)
Grille	No	No	Yes	No	No	No



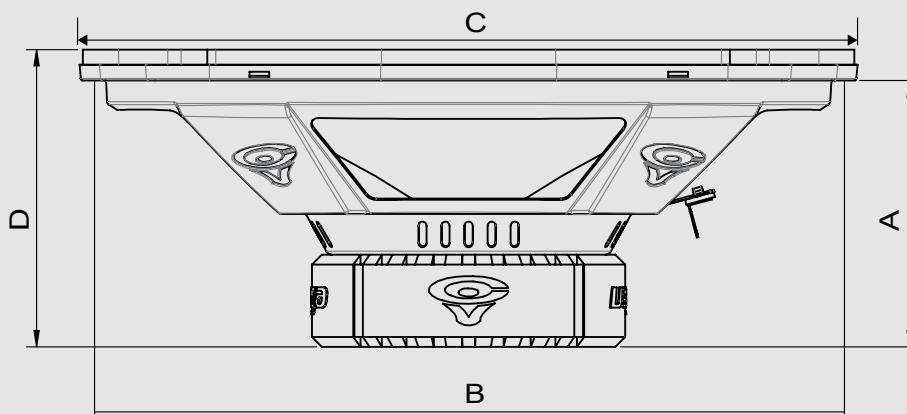
# Specifications

Model	V525	V65	V652	V65C	V675	V68
Nominal Diameter -inch (mm)	5.25" (133)	6.5" (165)	6.5" (165)	6.5" (165)	6.75" (170)	6 X 8" (152 X 203)
Description	2-Way	2-Way	2-Way	2-Way	2-Way	2-Way
Power Handling -Watts (RMS/Peak)	100/300	120/360	120/360	140/420	120/360	100/300
Frequency Response (Hz)	87Hz-20KHz	89Hz-20KHz	89Hz-20KHz	89Hz-20KHz	88Hz-20KHz	88Hz-20KHz
Sensitivity (1W/1M)	86dB	88dB	88dB	88dB	88dB	87dB
Nominal Impedance (Ohm)	4	4	2	4	4	4
Free-Air Resonance (Hz)	91	95	95	92	82	82
Mounting Depth -inch (A) (mm)	1.79" (45.5)	1.79" (45.5)	1.79" (45.5)	1.79" (45.5)	1.87" (47.5)	2.30" (53.5)
Cut-Out Diameter-inch (B) (mm)	4.45" (113)	4.88" (124)	4.88" (124)	4.88" (124)	5.59" (142)	7.09 X 5.00" (180 X 127)
Overall Diameter -inch (C) (mm)	5.08" (129)	6.26" (159)	6.26" (159)	6.26" (159)	6.50" (165)	7.60 X 5.51" (193 X 140)
Overall Height -inch (D) (mm)	2.09" (53)	2.20" (56)	2.20" (56)	2.15" (54.5)	2.20" (56)	2.66" (67.5)
Grille	No	Yes	Yes	Yes	Yes	No



# Specifications

Model	V69	V692	V693	V69C	V80C
Nominal Diameter -inch (mm)	6 X 9" (152 X 228)	6 X 9" (152 X 228)	6 X 9" (152 X 228)	6 X 9" (152 X 228)	8" (203)
Description	2-Way	2-Way	3-Way	2-Way	2-Way
Power Handling -Watts (RMS/Peak)	140/420	140/420	140/420	160/480	180/540
Frequency Response (Hz)	90Hz-20KHz	90Hz-20KHz	89Hz-20KHz	91Hz-20KHz	91Hz-20KHz
Sensitivity (1W/1M)	89dB	89dB	88dB	90dB	90dB
Nominal Impedance (Ohm)	4	2	4	4	4
Free-Air Resonance (Hz)	56	56	56	68	56
Mounting Depth -inch (A) (mm)	3.20" (81)	3.20" (81)	2.60" (81)	3.20" (81)	2.60" (66)
Cut-Out Diameter-inch (B) (mm)	8.68 X 5.93" (220.5 X 150.5)	8.68 X 5.93" (220.5 X 150.5)	8.68 X 5.93" (220.5 X 150.5)	8.68 X 5.93" (220.5 X 150.5)	7.01" (178)
Overall Diameter -inch (C) (mm)	9.29 X 6.40" (236 X 162.5)	9.29 X 6.40" (236 X 162.5)	9.29 X 6.40" (236 X 162.5)	9.29 X 6.40" (236 X 162.5)	8.25 X 7.76" (209.5 X 197)
Overall Height -inch (D) (mm)	3.56" (90.5)	3.56" (90.5)	3.56" (90.5)	3.56" (90.5)	2.81" (71.5)
Grille	Yes	Yes	Yes	Yes	No



**CERWIN VEGA (a division of CV & DA Holdings, Inc.) warrants this product to be free from defects in material and workmanship for a period of one (1) year from the original date of purchase provided, it was purchased from an authorized Cerwin Vega, retailer within the United States.**

**THIS WARRANTY IS NOT TRANSFERABLE AND APPLIES ONLY TO THE ORIGINAL PURCHASE OF THIS PRODUCT IN ITS ORIGINAL INSTALLATION. The original purchaser must reside in the United States and be able to provide proof of purchase and installation with the sales from the authorized Cerwin Vega retailer and completion of online registration that sold and installed the product.**

**Should a manufacturing defect occur during above said warranty period, Cerwin Vega will replace or repair the defective product with a product of the same or equivalent value and performance.**

**Damage or failure caused by any of the following is not covered under this warranty policy: burnt voice coils, negligence, improper use, abuse, product modification, unauthorized repair attempts, accident, acts of God, misrepresentations by Cerwin Vega retailers, and improper/inadequate packaging during return shipping.**



[cerwinvega.com](http://cerwinvega.com)