

# CICADA<sup>®</sup>

AUDIO

**14HDRING10**  
**14HDRING10-T**  
**HDPORT-3**

INSTALLATION GUIDE



# SADDLEBAG DISASSEMBLY



## Remove Saddlebags from H-D® Motorcycle

- Remove (2) bag bolts located on the upper left and right side of each bag. These typically can be removed by hand.
- Place saddlebags on soft surface to avoid damage.
- Remove the factory rubber grommets from each saddlebag (these will not be reused).
- New grommets will be used later from included hardware in the 14HDRING10 kit.

## Remove Lid and Hinge from Saddlebag

- Step 1: Remove (2) x T20 screws that hold strap to lid. Take care not to damage lid.
- Step 2: Remove (2) x T20 screws for fabric retention strap to lower bag.
- Step 3: Remove the (2) x T20 screws that secure the hinge to the lower bag. This will separate the bag from the hinge and lid.
- You will now have three separate parts: bag, lid and retention strap.

# BRACE HOLE TEMPLATE

- Locate supplied left & right-side specific bag brace templates.
- Insert (4) stand-off locators into hinge screw holes to align jig.
- Drill (2) outer mounting points thru saddlebag with 11/64" (4 mm) drill bit, as shown in Figure 1 below.

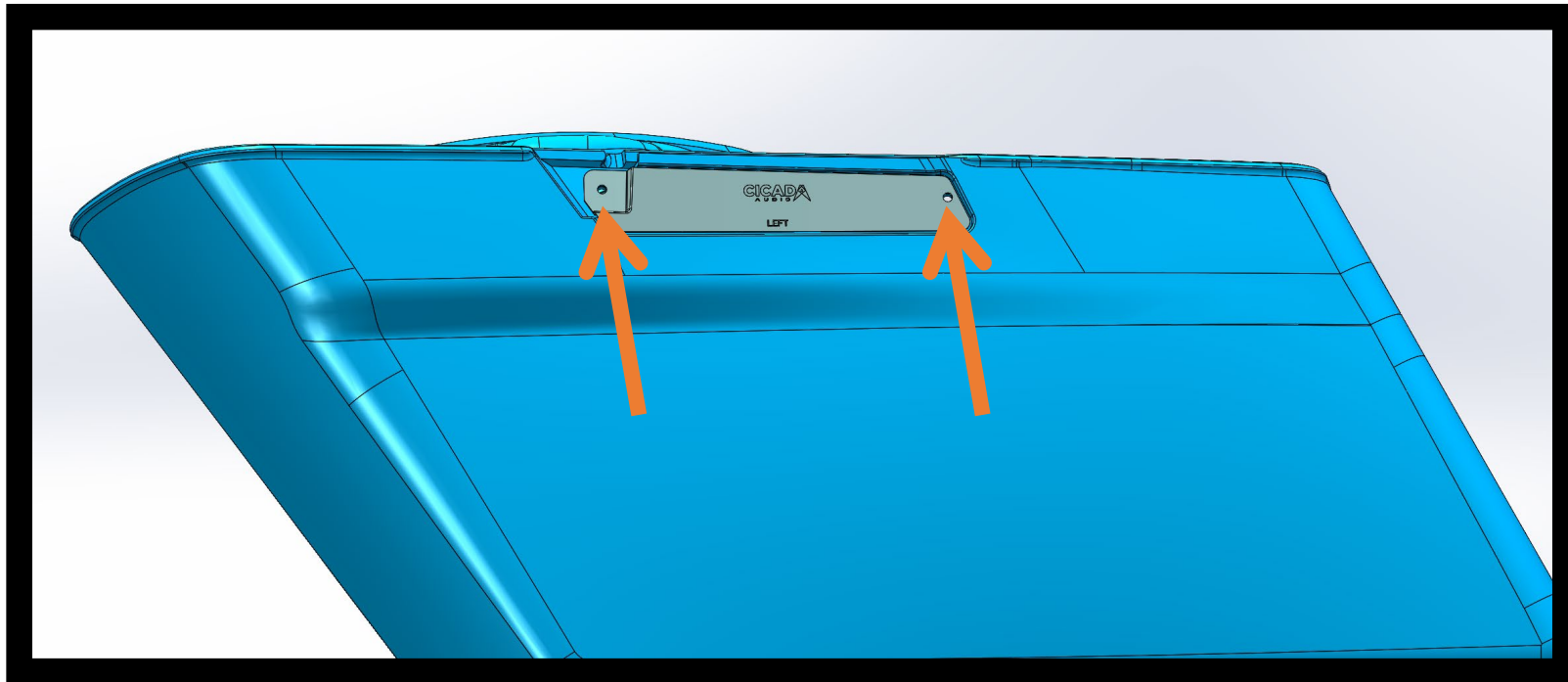


Figure 1

# 14HDRING10T – TEMPLATE APPLICATION



## REFERENCE FIGURE 2

- Using masking tape, cover the inside (wheel facing) surface of each saddlebag to protect finish.
- *14HDRING10T Template is REUSEABLE, don't cut thru it.*
- Mount the template onto the exterior outside of the saddlebag.
  - Use the (2) saddlebag mounting holes to properly align and affix template. [RED]
  - Using (4) coarse thread drywall screws , securely attach the template to saddlebag. [YELLOW]
- Using a permanent marker, outline the port and woofer details. [GREEN]
- Using a 13/64" (5 mm) drill bit, carefully drill out the port mounting holes & center hole. [LIGHT BLUE]
- Using a 15/64" (6 mm) drill bit, carefully drill out the mounting ring holes. [ORANGE]

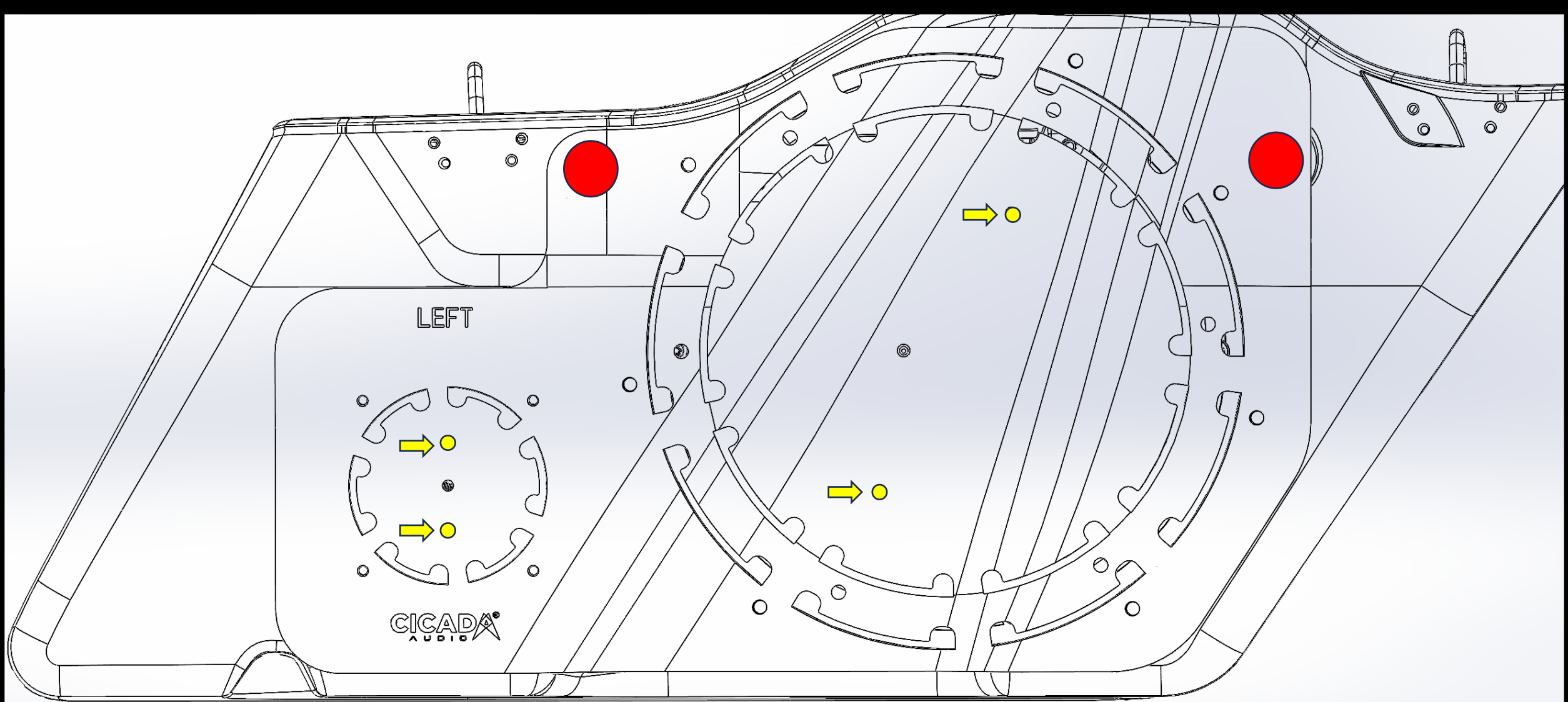


Figure 2

# 14HDRING10 & HDPORT3 HOLE CUT OUTS



## Step 1: Remove 14HDRING10T Template from Saddlebag

## Step 2: Make the Cut for the 14HDRING10

- Drill at the end of each slot marked area [**GREEN**] to insert saw (see Figure 2) with the appropriate size drill bit.
- Using a plastic cutting blade with a jig saw or air saw, cut along the marked line for the speaker mounting ring. **NOTE:** If using a jig saw you will need to insert a leveling block into the shock indent to keep the jig saw level. This will prevent unnecessary vibration and maintain an accurate cut.
- Cut slightly on the inside of the marked line leaving some material to sand the opening smooth.

# 14HDRING10 & HDPORT3 HOLE CUT OUTS



## Step 3: Make the Cut for the 14HDPORT3

- Use a 3 5/8" hole saw and the center guide hole, previously drilled.

### OR

- Drill at the end of each slot marked areas to insert saw.
- Using a plastic cutting blade with a jig saw or air saw cut along the marked port hole line.
- Cut slightly on the inside of the marked line leaving some material to sand the opening smooth.



# SADDLEBAG DAMPING INSTALLATION



CICADA AUDIO  
.COM

- Using a damp cloth, wipe out the interior of saddlebags. Remove all plastic cutting debris. Dry thoroughly.
- Identify the Left and Right side damping packet. Remove the paper backing and apply to interior walls of bag: Side, Front and Rear (As shown in Figures 3-5).

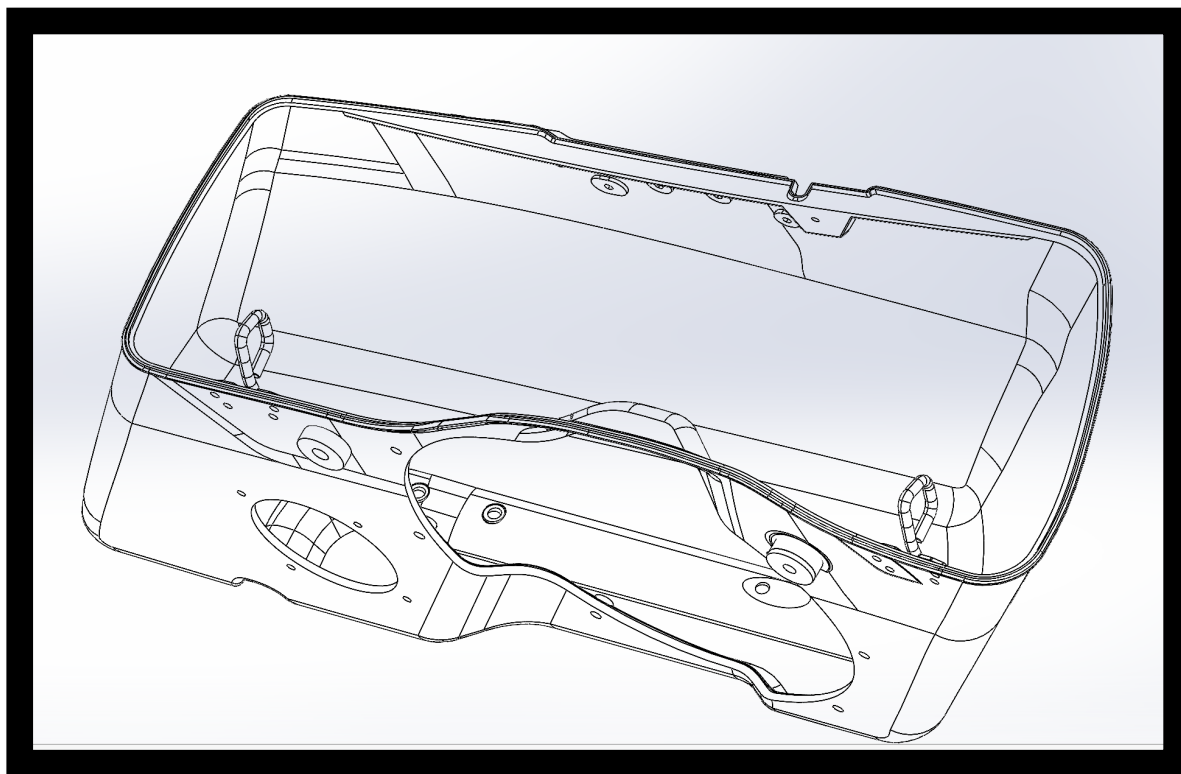


Figure 3 - Side

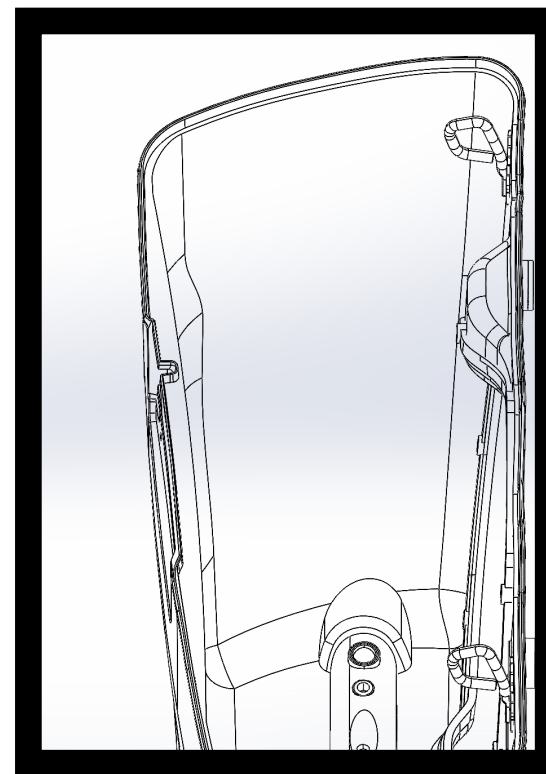


Figure 4 - Front

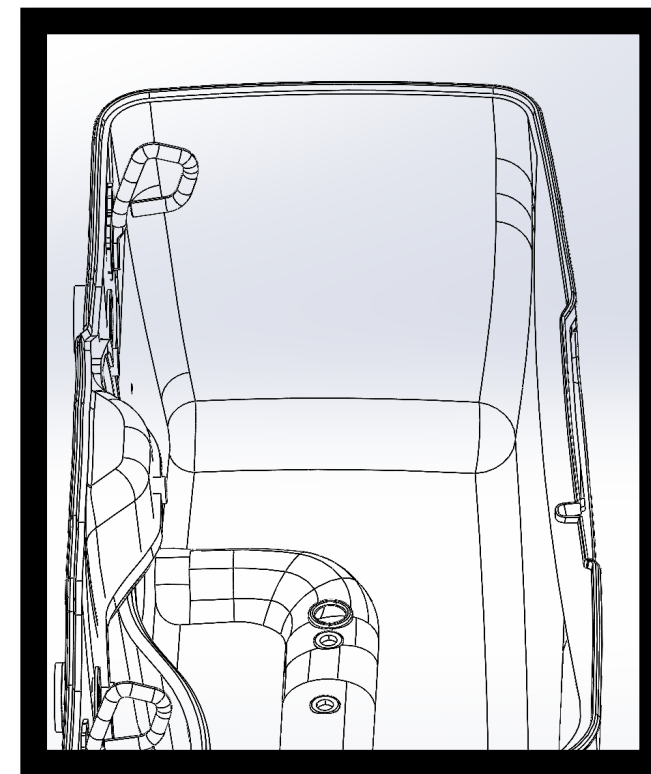


Figure 5 - Rear Page 9

# 14HDRING10 INSTALLATION



CICADA AUDIO  
.COM

- **Step 1:** Be sure the cutout is free of any defects or burrs.
- **Step 2:** Ensure the silicone gasket is properly seated in the recess of the mounting ring. (See Figure 6) Insert into saddlebag.
- **Step 3:** Using (7) M6 x 25 mm T30 button head flange screws, insert screws through saddlebag and into the Ring10. DO NOT completely tighten at this time. Once all screws are all inserted, using an alternating pattern, tighten screws while paying attention to the fitment of mounting ring on saddlebag surface.

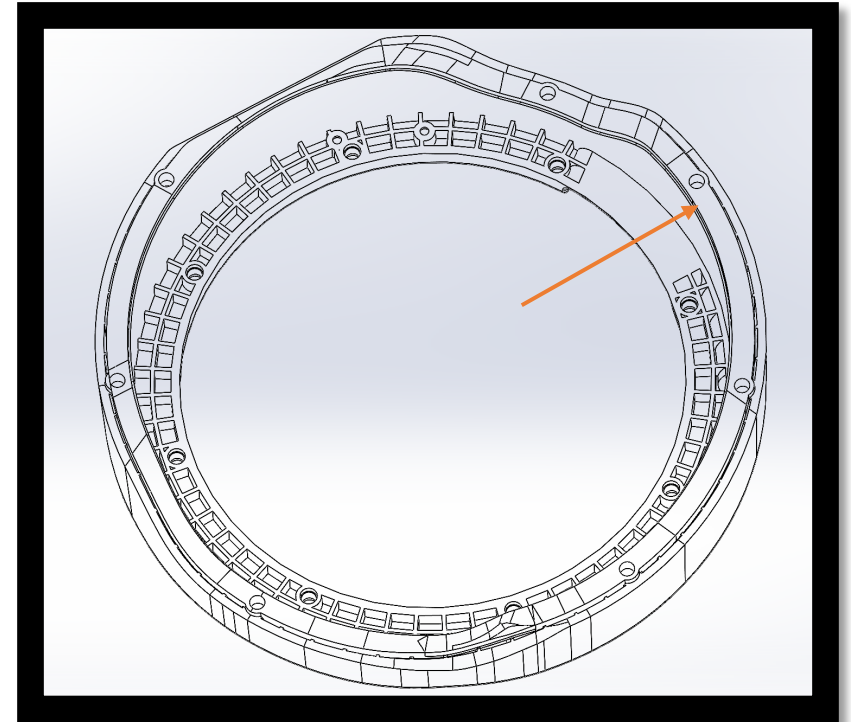


Figure 6 – 14HDRING10 Silicone Gasket

# HDPORT3 PORT FLANGE INSTALLATION

- **Step 1:** Be sure cut out is free of any defects or burrs.
- **Step 2:** Insert the mounting flange into the saddlebag ensuring the silicone gasket is properly seated.
- **Step 3:** Install the metal mounting ring on the interior of the bag using (4) of the M5 x 25 mm T25 countersink screws and tighten (**DO NOT Overtighten**).

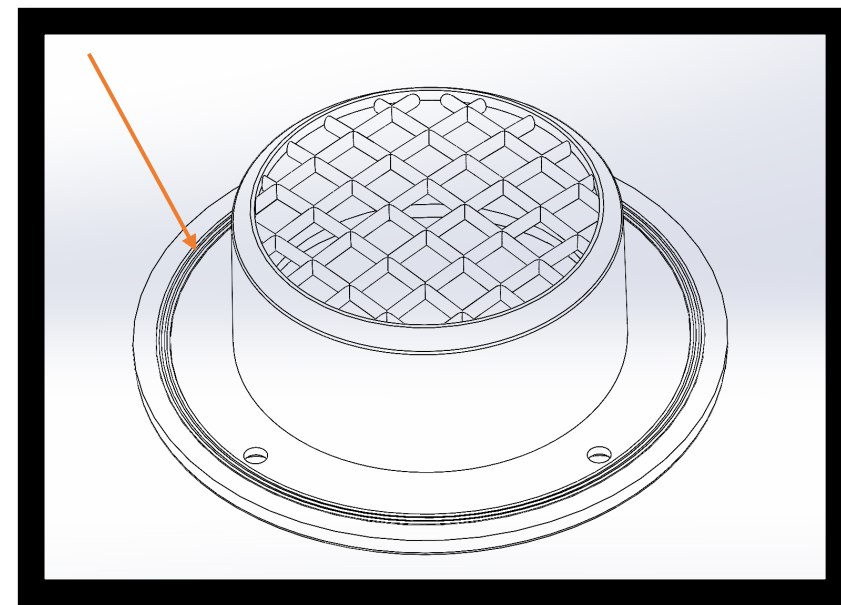


Figure 7 – HDPORT3 Gasket

# SADDLEBAG BRACE, RETENTION STRAP, HINGE & LID INSTALLATION



CICADA AUDIO  
.COM

## STEP 1: Install Hinge & Retention Strap (See Figure 8)

- Reinstall (2) T20 inner mounting screws for hinge.
- Reinstall (2) T20 outer mounting screws for hinge & retention strap to saddlebag lower. If using a CHDLID Kit or 14CHDLID8 speaker in lid be sure to change to CHDJS and run wire under strap thru notched section.

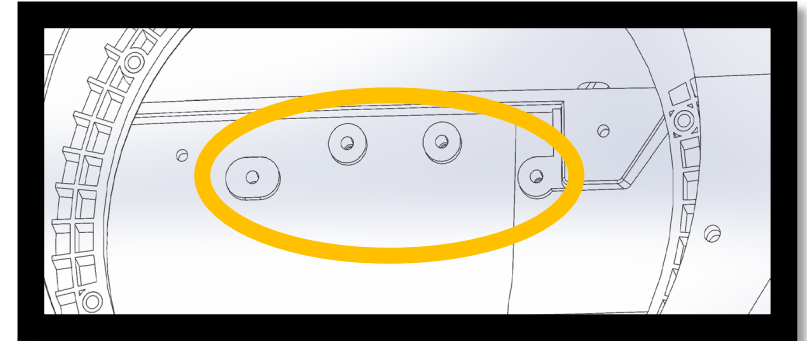


Figure 8 - Hinge

## STEP 2: Install Saddlebag Brace (See Figure 9)

- Locate the correct left or right brace, insert between mounting ring and saddlebag hinge holes drilled out previously.
- Open lid all the way to expose mounting holes for brace on hinge surface.
- Install (2) M4 x 10mm thru hinge surface into the brace. [RED]
- Install (2) M4 x 8mm thru the brace into the woofer ring. [BLUE]

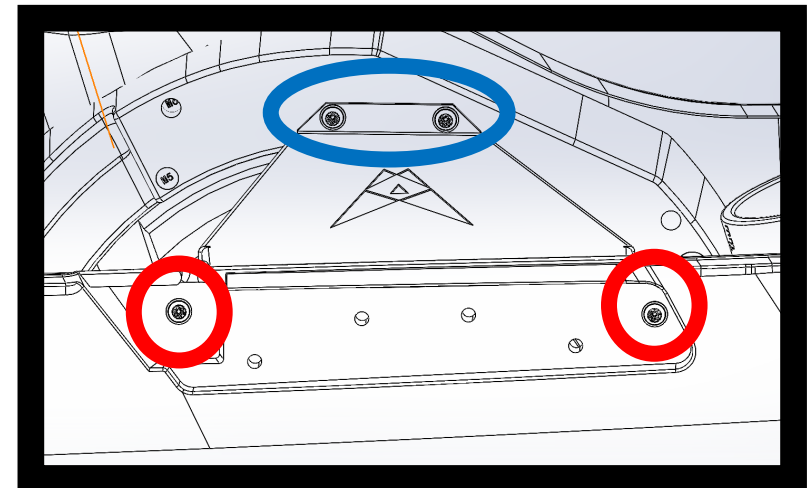


Figure 9 - Brace

## STEP 3: Mounting Retention Strap to Lid

- Reinstall (2) T20 Upper Retention Strap mounting screws to lid.

# CMB10.S4 MID-BASS INSTALLATION

## Speaker Gasket

- Install silicone woofer gasket into rear of mid-bass frame mounting surface; some speakers already come with this so you might have an extra set.

## Terminal Orientation

- Install mid-bass orienting speaker terminals facing forward towards the front of the bag, as shown in Figure 10.

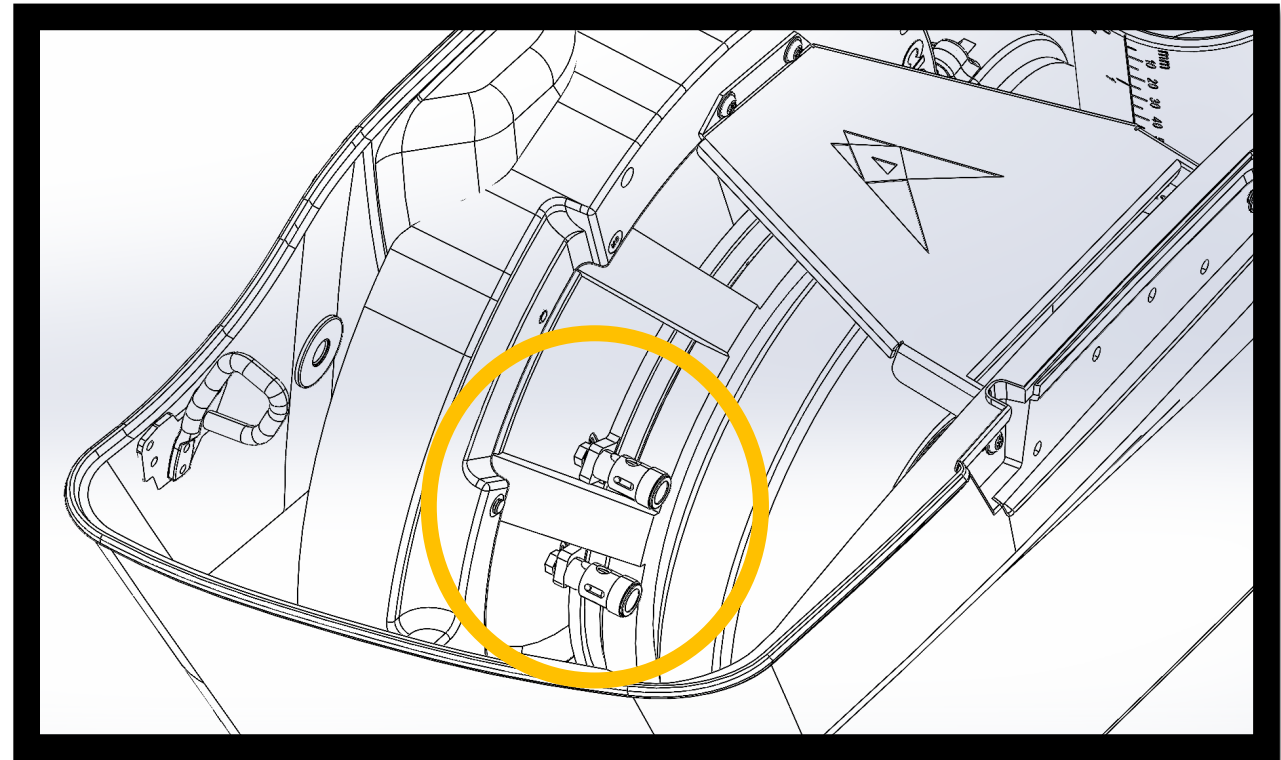


Figure 10 – CMB10.S4 Speaker Terminals

# CMB10.S4 MID-BASS INSTALLATION

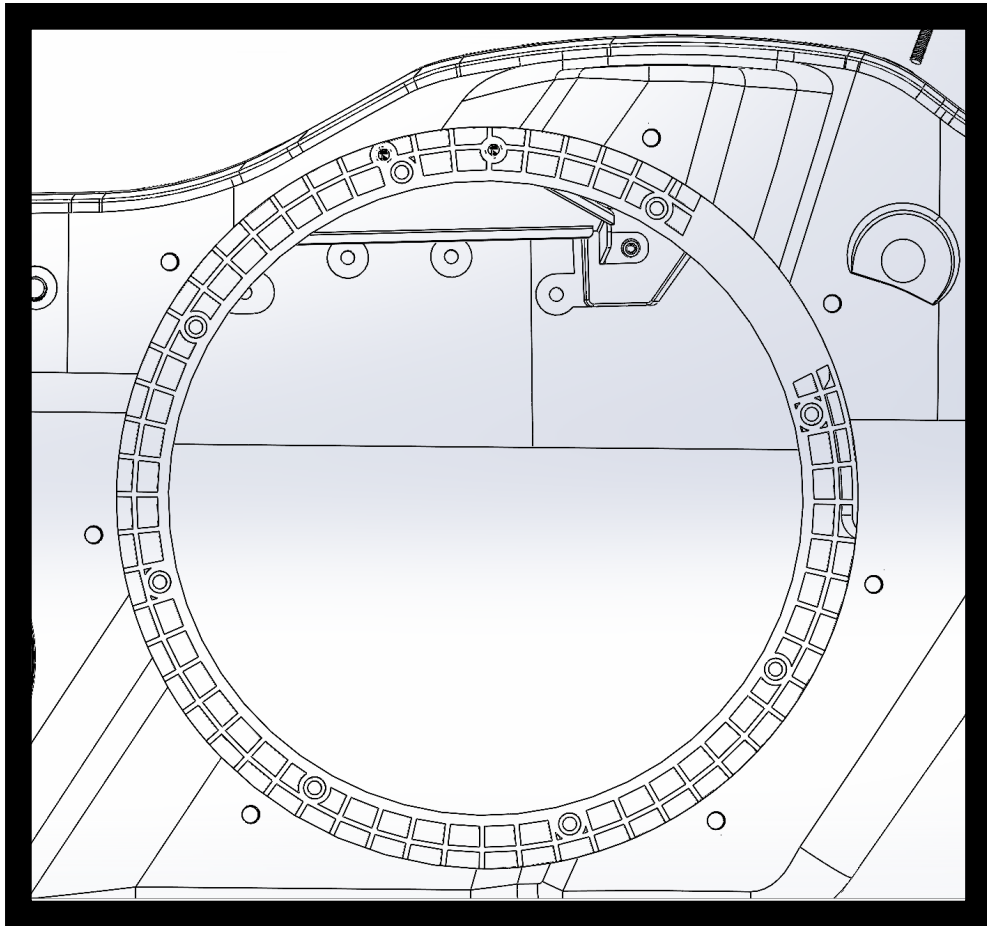


Figure 11 – Mounting Points

- Install speaker using (4) M5 x 20mm screws into locations, shown in [RED], see Figure 11.
- Install metal grill mesh and plastic grille trim ring using remaining (4) M5 x 45 mm screws, shown in [BLUE], see Figure 11.

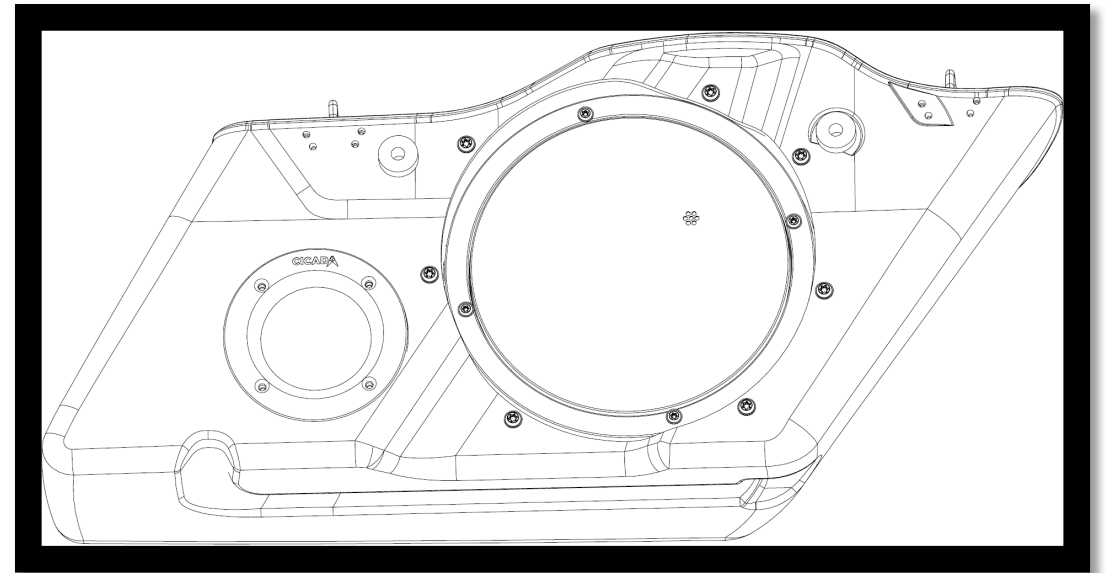


Figure 12 – Installed Grill



# HDPORT3 PORT TUBE INSTALLATION

- If necessary, trim port length to fit design requirement, full length is 11 inches.
- Apply black silicone to the interior sleeve of the port tube and slip onto flange previously mounted to bag. (Black silicone adhesive not included, we recommend 3M or Permatex).
- Best practice on port orientation is up and forward in the standard application.

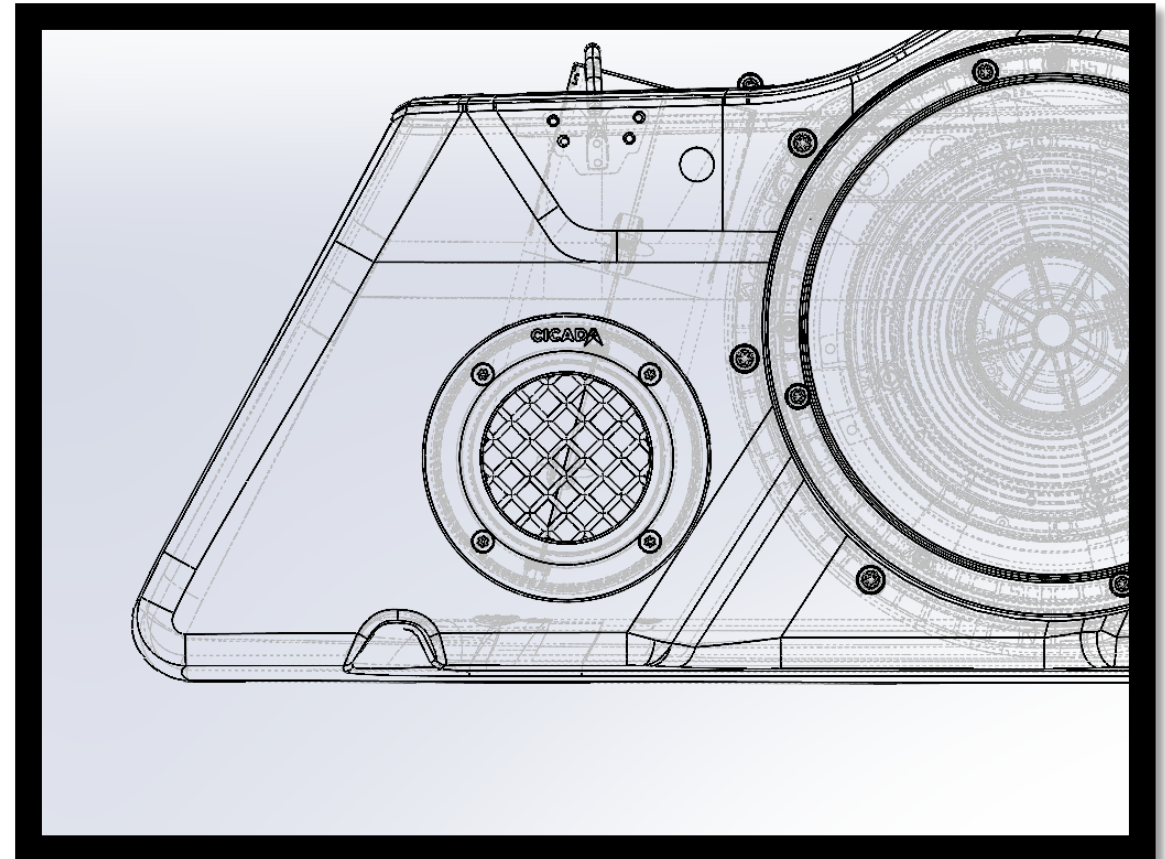


Figure 13 – Port Tube Orientation



# LID GASKET REPLACEMENT

**THIS IS A VERY IMPORTANT STEP TO KEEP YOUR BAG SEALED FOR BEST MID-BASS PERFORMANCE!**

- Remove factory gasket from lid
- Clean off residue from old gasket with alcohol or adhesive remover.
- Apply Adhesion Promoter to outer solid wall of channel [**ORANGE**], (see Figure 14).
- Using the included new stiffer gasket, peel backer and apply the adhesive side to the exterior solid lip wall.

**NOTE:** Not the ribbed bottom of the recess. This creates a better seal between the lid and bag lower.

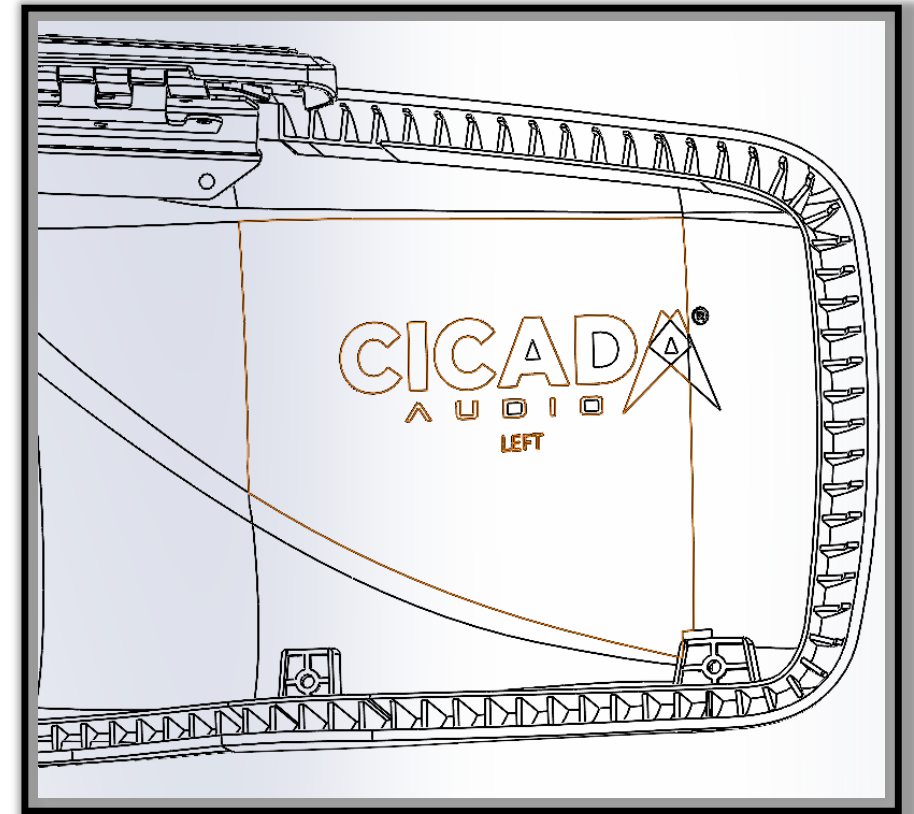


Figure 14 – Lid Gasket

# SADDLEBAG REINSTALLATION

- Install supplied silicone grommet into bag.
- Install aluminum collar sleeve into grommet from outside of bag.
- Use supplied stainless 5/16" bolts with 1" washers and 1/4" Allen Wrench to install bag onto bike.

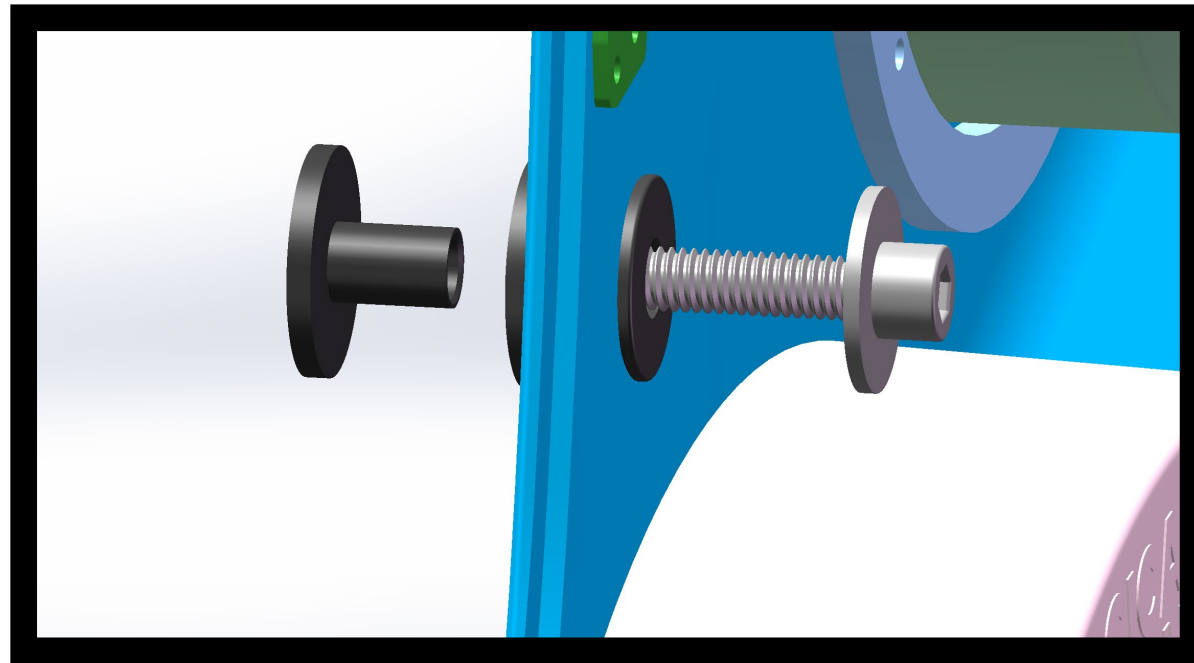


Figure 15 – Bag Mounting Hardware

# TIME FOR TUNING



CICADA AUDIO  
.COM

- Once Saddlebags are mounted and your Mid-Bass speakers are wired, it's time to tune!
- Set your Amplifier Gain to the Proper Output!

## Let's Ride!

# LIMITED WARRANTY STATEMENT

Cicada Audio warrants this product to be free of defects and quality workmanship for a period of TWO (2) year from the original date of purchase. A receipt from an authorized Cicada Audio dealer is required for warranty claim. Product warranty starts on the day of purchase or no longer than three years from the date of manufacture.

**THIS WARRANTY IS NON-TRANSFERABLE AND APPLIES ONLY TO THE ORIGINAL PURCHASER OF THE PRODUCT IN THE ORIGINAL INSTALLATION.**

Should a manufacturing defect occur during the warranty period, Cicada Audio will repair or replace defective product with a product of the same or equivalent value and performance. Damage or failure caused by improper use is not covered under this warranty. Negligence, improper use, product modification, unauthorized repair, accident, acts of god, dealer misrepresentation and improper or inadequate packaging during return shipment will not be covered. Warranty is void if serial numbers have been removed or defaced.

## **HOW TO OBTAIN WARRANTY SERVICE:**

In the event a Cicada Audio product should require service, you should return to your authorized Cicada Audio retailer. All claims must follow the guidelines listed above and be returned with a copy of the original sales receipt. Product returned for warranty service must be freight prepaid, properly packaged, and clearly marked with the Return Authorization (RA) number issued by Cicada Audio. Products that are returned and are improperly packaged, do not have an RA number clearly marked on the package, or have never been issued an RA number may be refused upon delivery. Cicada does not assume responsibility for lost or mis-labelled products.

Repair or replacement under this warranty is the exclusive remedy of the consumer. Cicada Audio shall not be liable for any incidental or consequential damages for breach of any expressed or implied warranty on this product. Certain states do not allow the exclusion of limitation of incidental or consequential damages, allow limitations on how long an implied warranty lasts, so the above limitations or exclusions may not apply to you. This warranty gives you specific legal rights and you may also have other rights that may vary from state to state.

For factory service OR tech support contact:

Cicada Audio

[cs@cicadaaudio.com](mailto:cs@cicadaaudio.com)

3757 E Broadway Road, Suite 5

Phoenix, AZ 85040

Phone: 480-887-8699



# CICADA AUDIO.COM

## CONTACT

---



3757 E. Broadway Rd. Ste. 3  
Phoenix, AZ 85040



(480) 887-8699



[sales@cicadaaudio.com](mailto:sales@cicadaaudio.com)