

MODELS / CMB10.S4 - 10 INCH

PRO MIDBASS SPEAKER

- 600W RMS / 1200 MAX Power Handling - SOLD INDIVIDUALLY
- 4 Ohm Single Voice Coil
- Ferrite Magnet Structure
- Heavy Duty / High Temp Cast Aluminum Basket
- 3.0" High Temp 6 Layer (BlackCoat®) Voice Coil
- Vented Voice Coil Gap for Maximum Heat disipation
- Water Resistant Treated Cone with NBR Surround
- Frequency Response: 35Hz -1.75Khz +/- 5dB
- Sensitivity: 83.5dB (1W/1M)



600 W RMS / 1200 W MAX

TECHNICAL SPECIFICATIONS

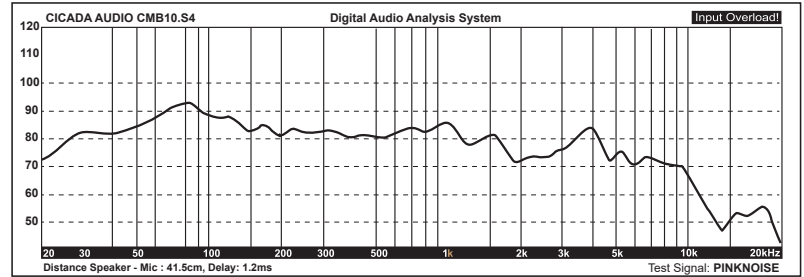
Component	mm (in.)	High Performance Mid-Bass Driver
Size	in. / mm	10 (260)
Power Handling	WRMS/Peak	600 WRMS/1200W Hi-pass@ 45Hz-12 dB Oct.
Impedance	Ω	4 Ohm - Single Voice Coil
Frequency Response	Hz	30Hz-1.75k +/- 5dB
Sensitivity	dB/SPL	87.2dB (1W/1M)
Voice Coil Ø	in. (mm)	3.0 (76.2)
Voice Coil Former	Aluminium	
Voice Coil Layers	6- Layer Coil	
Magnet	Ferrite	
Frame:	Cast Aluminium	
Weight	lb. (kg)	18.7 (8.5)

ELECTRO-ACOUSTIC PARAMETERS

D	inches / mm	10 / 260
Re	Ω	4
Fs	Hz	41.1
Le	mH @ 1 kHz	0.94
Vas	l	18.3
Mms	g	144
Cms	mm/N	0.10
BL	T·m	18.1
Qts		0.33
Qes		0.37
Qms		3.17
Spl	dB	87.2dB (1W/1M)

**Power Ratings are EACH with a Hi-Pass Filter (Electronic for Passive) @45Hz - 12 dB Octave

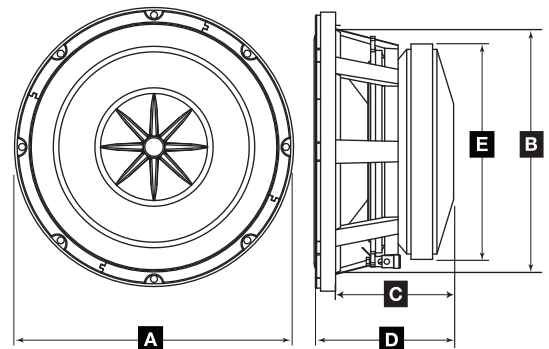
REAL TIME ANALYZER (RTA) CURVE



This is the REAL frequency response curves of our CICADA AUDIO CMB10.S4 drivers. Typically low frequency drivers sensitivity is measured at 400Hz (EIA standard) And "averaged" and is an academic construct as low frequency energy is more difficult in smaller enclosures, especially if the "enclosure" FLEX's (like a HD bag does!!).

CMB10.S4 - 10" DIMENSIONS

- A | 10.24 in.(260mm)
- B | 8.98 in.(228mm)
- C | 4.31 in.(109.5mm)
- D | 5.09 in.(129.5mm)
- E | 7.87 in.(200mm)



Fitment: 10 inch Mid Bass speakers, in general, are ALL custom Installation. It is recommended you go to a professional and have it installed

"We manufacture the BEST in Motorcycle Audio...PERIOD!"