



Owner's manual & Installation manual
Mode d'emploi et manuel d'installation
Manual de usuario y Manual de instalación

GR10BT

**MARINE USB/MP3/WMA RECEIVER
WITH BUILT-IN BLUETOOTH®**
**RÉCEPTEUR MARINE USB/MP3/WMA
AVEC BLUETOOTH® INTÉGRÉ**
**RECEPTOR USB/MP3/WMA MARINE
CON BLUETOOTH® INTEGRADO**

Contents

1. FEATURES	3
2. EXPANDING SYSTEM OPTIONS	3
3. PRECAUTIONS	4
4. CAUTIONS ON HANDLING	4
5. CONTROLS	5
Operational Panel.....	5
Name of Buttons and their Functions.....	5
6. OPERATIONS.....	6
Basic Operation.....	6
Radio Operation	7
Weather Band Operation.....	7
USB Mode Operation	8
AUX Mode Operation	8
Bluetooth Operation	9
7. TROUBLESHOOTING	10
8. SPECIFICATIONS	11
9. INSTALLATION	12
10. WIRE CONNECTION	13

1. FEATURES

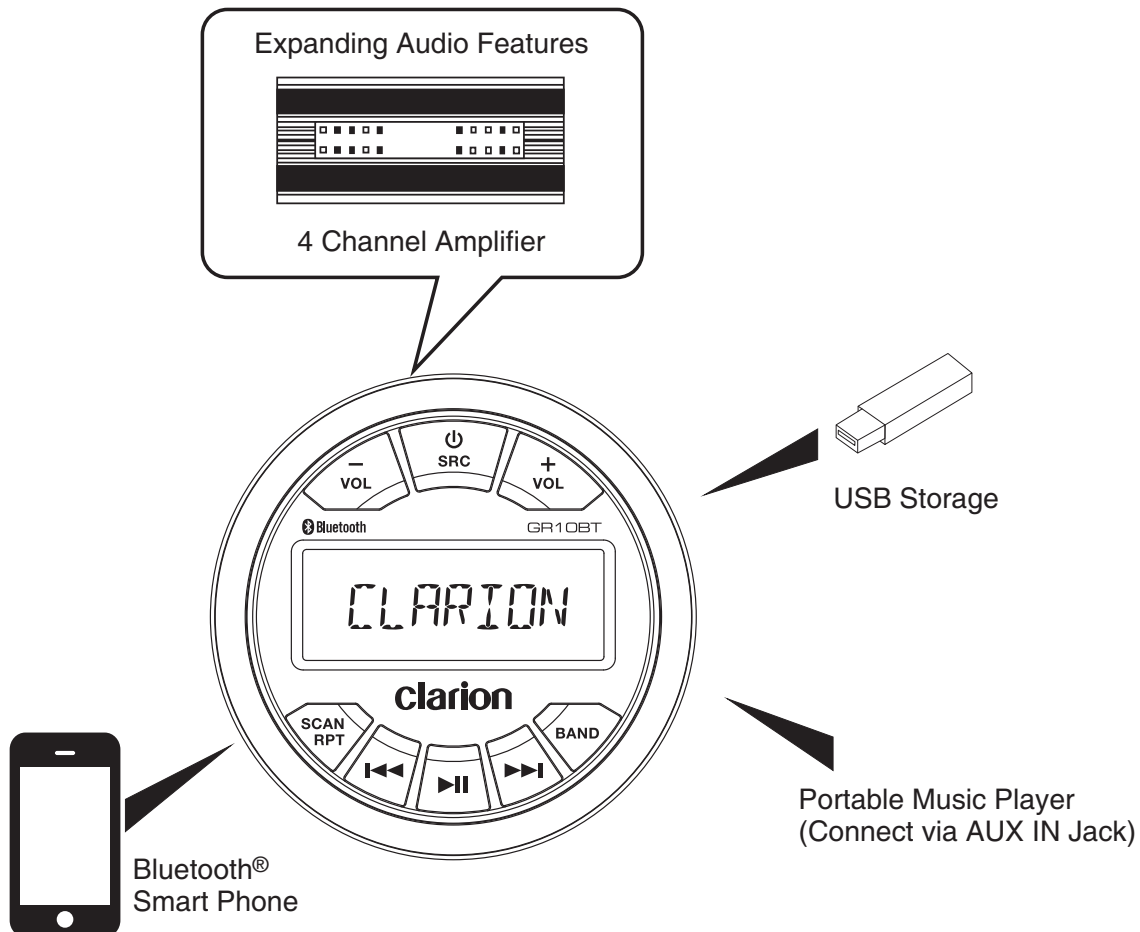
- Global AM/FM/Weather Band Tuner
- MP3/WMA/USB File Playback
- IPX5 Rated Water Resistant Front Panel
- Meet or Exceeds:
ASTM D4329 (UV Exposure) and
ASTM B117 (Salt Fog Exposure).
- 3" Gauge Hole Cut-Out Mounting
- Built-In Bluetooth
- 45Wx4 Built-In Amplifier
- Smart Phone Charging via USB
- Auxiliary RCA Input
- 4-CH/2V Preamp Output



USB

MP3/WMA

2. EXPANDING SYSTEM OPTIONS



Note:

* The items listed only show connectivity options and are not included with the unit.

3. PRECAUTIONS

⚠ WARNING

For your safety, while boating, keep the volume to a level at which external sounds can be heard.

1. This unit uses precision parts and components for its operation. In the event of any operating issues, never open the case, disassemble the unit, or lubricate the rotating parts. Contact your Clarion dealer or service center.
2. FCC STATEMENT
 - 2.1 This device complies with Part 15 of the FCC Rules. Operation is subject to the following two conditions:
 - (1) This device may not cause harmful interference.
 - (2) This device must accept any interference received, including interference that may cause undesired operation.
 - 2.2 Changes or modifications not expressly approved by the party responsible for compliance could void the user's authority to operate the equipment.

NOTE:

This equipment has been tested and found to comply with the limits for a Class B digital device, pursuant to Part 15 of the FCC Rules. These limits are designed to provide reasonable protection against harmful interference in a residential installation. This equipment uses and can radiate radio frequencies and, if not installed and used in accordance with the instructions, may cause harmful interference to radio communications. However, there is no guarantee that interference will not occur in a particular installation. If this equipment does cause harmful interference to radio or television reception, which can be determined by turning the equipment off and on, the user is encouraged to try to correct the interference by one or more of the following measures:

- Reorient or relocate the receiving antenna.
- Increase the separation between the equipment and receiver.
- Connect the equipment into an outlet on a circuit different from that to which the receiver is connected.
- Consult the dealer or an experienced radio/TV technician for help.

FCC Radiation Exposure Statement

This equipment complies with FCC radiation exposure limits set forth for an uncontrolled environment. This equipment should be installed and operated with minimum distance 20cm between the unit & your body.

3. The Bluetooth word mark and logos are registered trademarks owned by the Bluetooth SIG, Inc. and any use of such marks by Clarion Co., Ltd is under license. Other trademarks and trade names are those of their respective owners.
4. IC warning

This device complies with Industry Canada's license-exempt RSSs.

Operation is subject to the following two conditions:

 - (1) This device may not cause interference
 - (2) This device must accept any interference, including interference that may cause undesired operation of the device.

Front Panel / General Information

For a longer service life, be sure to read the following cautions.

- Do not allow any liquids or fluids to enter the unit. Doing so may damage the internal circuitry.
- Do not disassemble or modify the unit in any way. Doing so may result in damage.
- Do not let any materials burn the display. Doing so may damage or deform the body.
- If a problem should occur, have the unit inspected at your store of purchase.

Cleaning the Body

- Use a soft, dry cloth and gently wipe off any dirt or dust.
- For tough dirt, apply some neutral detergent diluted in water to a soft cloth, wipe off the dirt gently, then wipe again with a dry cloth.
- Do not use benzene, thinner, boat cleaner, etc., as these substances may damage the body or cause the paint to peel. Also, leaving rubber or plastic products in contact with the body for long periods of time may cause stains.

USB Port

- The USB memory sticks must be recognized as "USB" to work properly. Some models may not operate correctly.

In the event data is lost or damaged under any condition, Clarion shall not be liable for any damage.

- When using the USB memory stick, we recommend that you backup your data (music) to a personal computer before using.
- Data (music) files may be damaged when using USB memory sticks in the following situations:
 - Removing the USB memory stick or turning the power off while reading data. Static electricity and/or an electrical surge can damage the contents on the USB memory device.
 - Connect/disconnect the USB memory stick when it is not accessed.
 - Disconnect the USB memory device when not in use.

4. CAUTIONS ON HANDLING

Protect from high Temperatures. Exposure to direct sunlight for an extended period of time can produce very high temperature in your vessel. Cool down the interior before starting playback.

5. CONTROLS

Operational Panel



Name of Buttons and their Functions

1. **⏻ /SRC button**

- Toggle the audio source.
- Power On / Power Off (Press and Hold).

2. **VOL +/- button**

- Adjust volume level.

3. **SCAN/RPT button**

- Tuner mode - Preset scan.
- Tuner mode - Auto memory store (Press and Hold).
- USB mode - Repeat Folder, Repeat Track, Repeat all.
- USB mode - Enter Track Search.

4. **⏮ / ⏭ Button**

- Tuner mode - Manual tune.
- Tuner mode - Auto tune (Press and Hold).
- USB/BT Music mode - Previous / Next track.
- USB mode - Fast Forward / Backward (Press and Hold).

5. **⏸ Button**

- Tuner mode - Mute or Unmute audio output.
- USB/BT Music mode - Pause or Play playback.

6. **BAND button**

- Tuner mode - Select tuner band.
- Sound effect setting (Press and Hold).

6. OPERATIONS

Basic Operation

⚠ CAUTION

When the unit is turned on, starting and stopping the engine with its volume raised to the maximum level may cause hearing damage. Be careful about adjusting the volume.

◆ Power On/Off

Note:

- Start the engine before using this unit.
- Be careful about using this unit for a long time without running the engine. If you drain the vessel battery too far, you may not be able to start the engine and this can reduce the service life of the battery.

1. Start the engine.



Engine ON position

2. Press the [⏻/SRC] button to turn on the power under standby mode. Press and hold to turn off the power.
At power on mode, press to toggle source among Tuner, USB, BT Music, AUX.
* External equipment not connected to this unit is not displayed.

◆ Adjusting the volume

Press [VOL + / VOL -] button to increase or decrease the volume.
The adjustable range of volume is 0 to 40.

⚠ CAUTION

While boating, keep the volume at a level at which external sounds can still be heard. Please be aware of the volume levels in residential, family areas and local volume level ordinances.

◆ Adjusting the volume

Press and hold [BAND] button to enter sound effect setting mode. Press [◀◀] or [▶▶] button to select options, press [VOL +] or [VOL -] to adjust a value / option.

* EQ (Preset Equalizer Setting)

Press [VOL +] or [VOL -] to change EQ:
Flat -> Pop -> Classic -> Rock -> Techno -> Vocal -> Jazz.

* Bass

Press [VOL +] or [VOL -] to adjust the desired Bass level range from -7 to +7.

* Mid

Press [VOL +] or [VOL -] to adjust the desired Mid level range from -7 to +7.

* Treble

Press [VOL +] or [VOL -] to adjust the desired Treble level range from -7 to +7.

* Balance

Press [VOL +] or [VOL -] to adjust the Balance between the right and left speakers from R12 (full right) to L12 (full left).

* Fader

Press [VOL +] or [VOL -] to adjust the Fader between the front and rear speakers from R12(full rear) to F12 (full front).

* Tone

Press [VOL +] or [VOL -] to select tone on/off.

* Area

Press [VOL +] or [VOL -] to select between USA, Europe, Asia, Australia.

* Rear out

Press [VOL +] or [VOL -] to select Line out or Subwoofer out.

(Note: with Line out selected, following option will not be displayed.)

* Subw LPF

Press [VOL +] or [VOL -] to adjust the sub-woofer Low Pass Filter range: 80HZ/120HZ/180HZ.

* Subw On/Off

Press [VOL +] or [VOL -] to select subwoofer on or off.

* Subw Gain

Press [VOL +] or [VOL -] to adjust subwoofer gain range: 0 to 20.

Radio Operation

◆ Select Tuner as Playing Source

Press [**⊕/SRC**] button to select the Tuner mode.

◆ Global Tuner

This unit is initially set to USA frequency intervals of 10KHz for AM and 200KHz for FM. When using it outside the USA, the frequency reception range can be switched to the intervals below.

		U.S. A standard	Europe standard	Asia standard	Australia standard
AM	Frequency spacing	10KHz	9KHz	9KHz	9KHz
	Frequency range	530-1710 KHz	531-1602 KHz	531-1620 KHz	531-1620 KHz
FM	Frequency spacing	200KHz	50KHz	50KHz	100KHz
	Frequency range	87.9-107.9 MHz	87.5-108 MHz	87.5-108 MHz	87.5-108 MHz

◆ Select the Radio Band

Press [**BAND**] button to select one radio band from FM1, FM2, FM3, AM, WB.

◆ [**⏪**] Tuning Up / [**⏩**] Tuning Down

1. Press the [**⏪**] / [**⏩**] button change intervals step by step.
2. Press and hold the [**⏪**] / [**⏩**] button to seek the next strongest station.

◆ Preset Scan

Preset scan receives the stations stored in the preset memory in order. This function is useful when searching for a desired station in the memory.

1. Press the [**SCAN**] button.
2. When a desired station is tuned in, press the [**SCAN**] button again to continue receiving that station.

◆ Auto Store

Only stations with sufficient signal strength will be detected and stored in the memory. Press and hold the [**SCAN**] button to automatically select six strong stations and store them into presets. The new stations replace any stations already stored in the band.

◆ MUTE

Press the [**⏸**] button to mute sound output; press again to resume sound output.

Weather Band Operation

◆ [**⏪**] Tuning Up / [**⏩**] Tuning Down

1. Press the [**⏪**] / [**⏩**] button change intervals step by step.
2. Press and hold the [**⏪**] / [**⏩**] button to seek the next strongest station.

◆ Preset Scan

Preset scan receives the stations stored in the preset memory in order. This function is useful when searching for a desired station in the memory.

1. Press the [**SCAN**] button.
2. When a desired station is tuned in, press the [**SCAN**] button again to continue receiving that station.

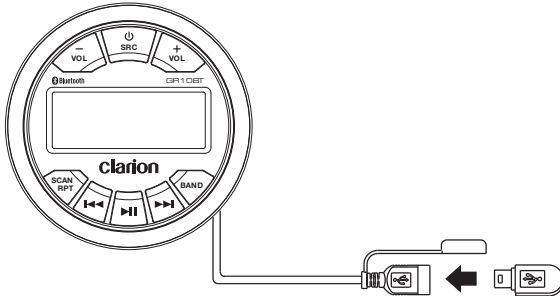
◆ MUTE

Press the [**⏸**] button to mute sound output; press again to resume sound output.

USB Mode Operation

◆ Connect

1. Insert a USB device into the USB pigtail.
2. To remove the USB device, you should select another source or turn off the power, in order to avoid damaging the USB device. Then take off the USB device.



◆ Select a Track

1. Press the [▶▶▶] button to advance to the next track/song. Press the [◀◀◀] button to go to the previous track/song.
2. Press and hold the [▶▶▶] button to fast forward through the track/song. Press and hold the [◀◀◀] button to fast backward through the track/song.

◆ Play / Pause

Press the [▶▶] button to pause the track/song that is currently playing.
Press the [▶▶] button to resume playing the track/song that has been paused.

◆ Repeat Feature

This function allows you to Repeat All tracks/songs in current folder, Repeat the currently playing track/song, or to turn the Repeat feature OFF.

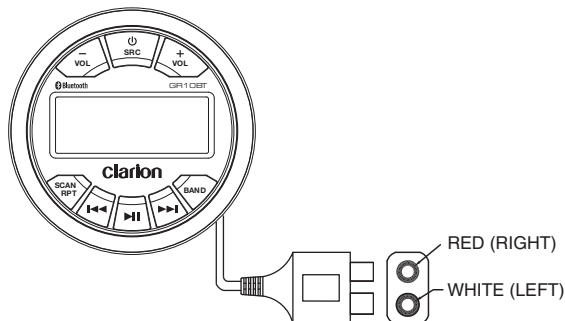
1. Press [RPT] button once, it will display REPEAT FOLDER on top of display panel.
2. Press [RPT] button twice, it will display REPEAT TRACK on the top of display panel.
3. Press [RPT] button for the 3rd time will turn Repeat feature OFF.

◆ Search Function

Press and hold [SCAN] button to access MP3 / MWA track search mode. Press [VOL +] or [VOL -] button to select the desired track.

AUX Mode Operation

- ◆ The AUX RCA inputs in this system are provided to allow playback of sounds and music from external devices connected to this unit. Press the [SRC] button to select "AUX IN"



Bluetooth Operation

◆ Pair the Bluetooth Device

1. Press and hold **[SCAN]** button on the front panel to start Pairing.
2. From your Bluetooth enabled device, turn Bluetooth ON and search for Bluetooth device.
3. When a list of available Bluetooth devices appears on your Bluetooth device, select "GR10BT"
4. "BT CONNECTED" will appear on the display.
5. The unit will automatically enter the BT Music source and you can now start streaming audio from your Bluetooth enabled device.

Note: If the Bluetooth device doesn't support the SSP (Simple Secure Pairing) Profile, please enter the passcode "000"

◆ DISCONNECT / CONNECT

1. With a Bluetooth device connected, press and hold **[SCAN]** button to disconnect it.
2. With a Bluetooth device paired but disconnected, press **[SCAN]** button to establish the Bluetooth connection.

◆ Audio Streaming Operations

What is Audio Streaming?

Audio streaming is a technique for transferring audio data so that it can be processed as a steady and continuous stream. Users can stream music from their audio system wirelessly and listen to the tracks through the boat's speakers. Please consult your nearest Clarion dealer for more information on available wireless audio streaming transmitter products.

◆ Play / Pause

Press the **[▶||]** button to pause the track/song that is currently playing.
Press the **[▶||]** button to resume playing the track/song that has been paused.

◆ Select a Track

1. Press the **[▶▶|]** button to advance to the next track/song.
2. Press the **[|◀◀]** button to go to the previous track/song.

Note:

*Playing order will depend on Bluetooth audio player. When the **[|◀◀]** button is pressed, some A2DP devices will restart the current track depending on the duration of the playback. Some Bluetooth audio players may not allow play / pause synchronization with this unit. Please make sure both the device and the main unit are in the same play / pause status in BT Music mode.*

⚠ CAUTION

Please avoid operating your connected mobile phone while audio streaming as this may cause noise or stuttering on the song playback. Audio streaming may or may not resume after telephone interruption as this is dependent on the mobile phone.

7. TROUBLESHOOTING

GENERAL

Problem	Cause	Remedy
Unit cannot power on.	Unit fuse blown.	Replace with new fuse of correct rating.
	Vessel battery fuse blown.	Replace with new fuse of correct rating.
No/low audio output.	Incorrect audio output connection.	Check wiring and correct.
	Volume set too low.	Increase volume level.
	Speakers damaged.	Replace speakers.
	Heavily biased volume balance.	Adjust the channel balance to center position.
	Speaker wiring is in contact with metal part of vessel.	Insulate all speaker wiring connections.
Poor sound quality or distortion.	Speaker power rating does not match unit.	Replace speakers.
	Wrong connections.	Check wiring and correct.
	Speaker is shorted.	Check wiring and correct.
Unit resets itself when engine is off.	Incorrect connection between ACC and Battery.	Check wiring and correct.
Auto seek function can not find any stations.	The antenna cable is not connected.	Insert the antenna cable securely.
	The signals are too weak.	Select a station manually.

USB

Problem	Cause	Remedy
USB device cannot be inserted.	The USB device has been inserted incorrectly.	Reverse the connection direction of the USB device and try again.
	The USB connector is broken.	Replace with a new USB device.
USB device is not recognized.	The USB device is damaged.	Disconnect the USB device and reconnect. If the device is still not recognized, try replacing it with a different USB device.
	Connectors are loose.	
No sound heard with the display "No File" shown.	No MP3/WMA file is stored in the USB device.	Store these files properly in the USB device.
Sound skips or is noisy.	MP3/WMA files are not encoded properly.	Use properly encoded MP3/WMA files.

Bluetooth

Problem	Cause	Remedy
Cannot pair the Bluetooth enabled device with the audio system.	The device does not support the profiles required for the system.	Reverse the connection direction of the USB device and try again.
	The Bluetooth function of the device is not enabled.	Refer to the user manual of the device for how to enable the function.
Audio quality is poor after connection with a Bluetooth enabled device.	The Bluetooth reception is poor.	Move the device closer to the audio system or remove any obstacle between the device and the system.

8. SPECIFICATIONS

FM Tuner

Frequency Range: USA 87.9 - 107.9MHz
Europe 87.5 - 108.0MHz
Asia 87.5 - 108.0MHz
Australia 87.5 - 108.0MHz
Usable Sensitivity: 2V (S/N=30dB)
Image Rejection: >45dB
Stereo Separation: >25dB

AM Tuner

Frequency Range: USA 530 - 1710KHz
Europe 531 - 1602KHz
Asia 531 - 1629KHz
Australia 531 - 1629KHz
Usable Sensitivity: 40dB (S/N=20dB)

Weather Band Selection

CH.1 162.400MHz CH.2 162.425MHz
CH.3 162.450MHz CH.4 162.475MHz
CH.5 162.500MHz CH.6 162.525MHz
CH.7 162.550MHz

Audio

Maximum Power Output: 45W x 4
Bass Control (60Hz): ±12dB
Treble Control (10kHz): ±12dB
Middle Control: (1kHz): ±12dB

USB

USB: 2.0 Full Speed
USB Port: 1.1A
USB Voltage: 5.0V
Maximum MP3/WMA Songs: 9999
USB Flash Drive and Hard
Drive Compatible Format: FAT/FAT32

Bluetooth

Specification: Bluetooth Version. 2.1
Supported Profiles: A2DP (Advanced Audio
Distribution Profile)
AVRCP1.5 (Audio/Video
Remote Control Profile)
SSP (Simple Secure Pairing)

General

Power Supply Voltage: 14.4V DC (10.8 to
15.6V allowable)
Grounding System: Negative Ground
Speaker Impedance: 4-8 ohms per channel

Note: Specifications and design are subject to change without notice for further improvement.

Power Output:
16W x 4 RMS (4 ohm @ 14.4V
≤1% THD+N)



9. INSTALLATION

1. Before Starting

1. This set is exclusively for use in vessels with a negative ground 12 V power supply.
2. Read these instructions carefully.
3. Be sure to disconnect the battery “-” terminal before starting. This is to prevent short circuits during installation. (Figure 1)

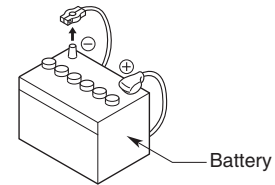
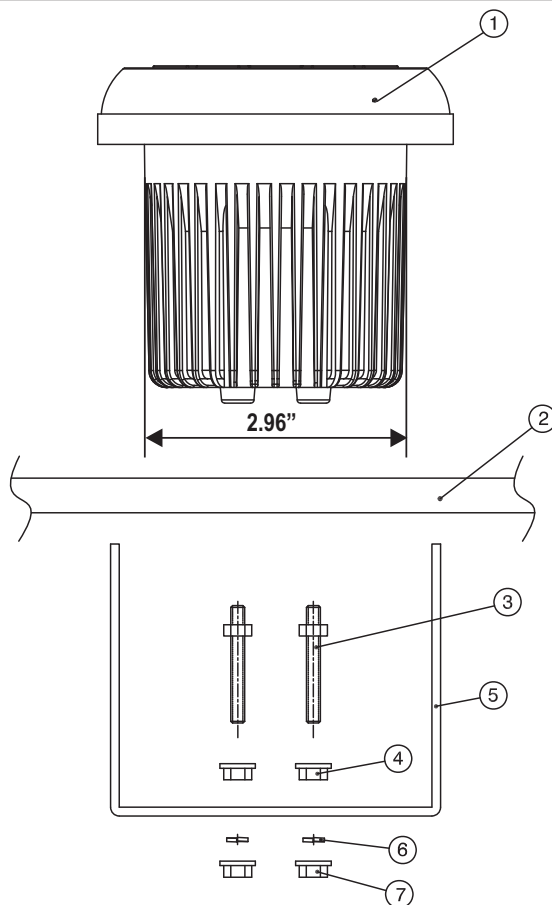


Figure 1

2. Installation Cautions

1. In order to avoid any interference, do not install the tuner module or control unit in the proximity of the engine compartment.
2. The use of unauthorized parts can cause permanent damage to the unit.
3. Always check your wire connections to ensure proper installation before turning on the unit.
4. Consult with your nearest dealer for proper installation or if common parts need to be used. Seek assistance if modifications or drilling holes to your vessel is needed.
5. Do not install the unit where it will be subjected to excessive moisture, dust, dirt, foreign particles or vibration. Areas of high temperature from the engine, direct sunlight, heater or hot air should also be avoided.
6. Do not install the unit in a location where it will interfere with the vessel operation, or it will injure the passengers if there is a sudden or emergency stop.

3. Head Unit Installation

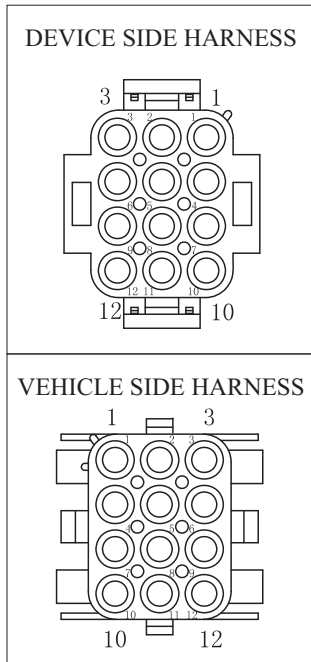
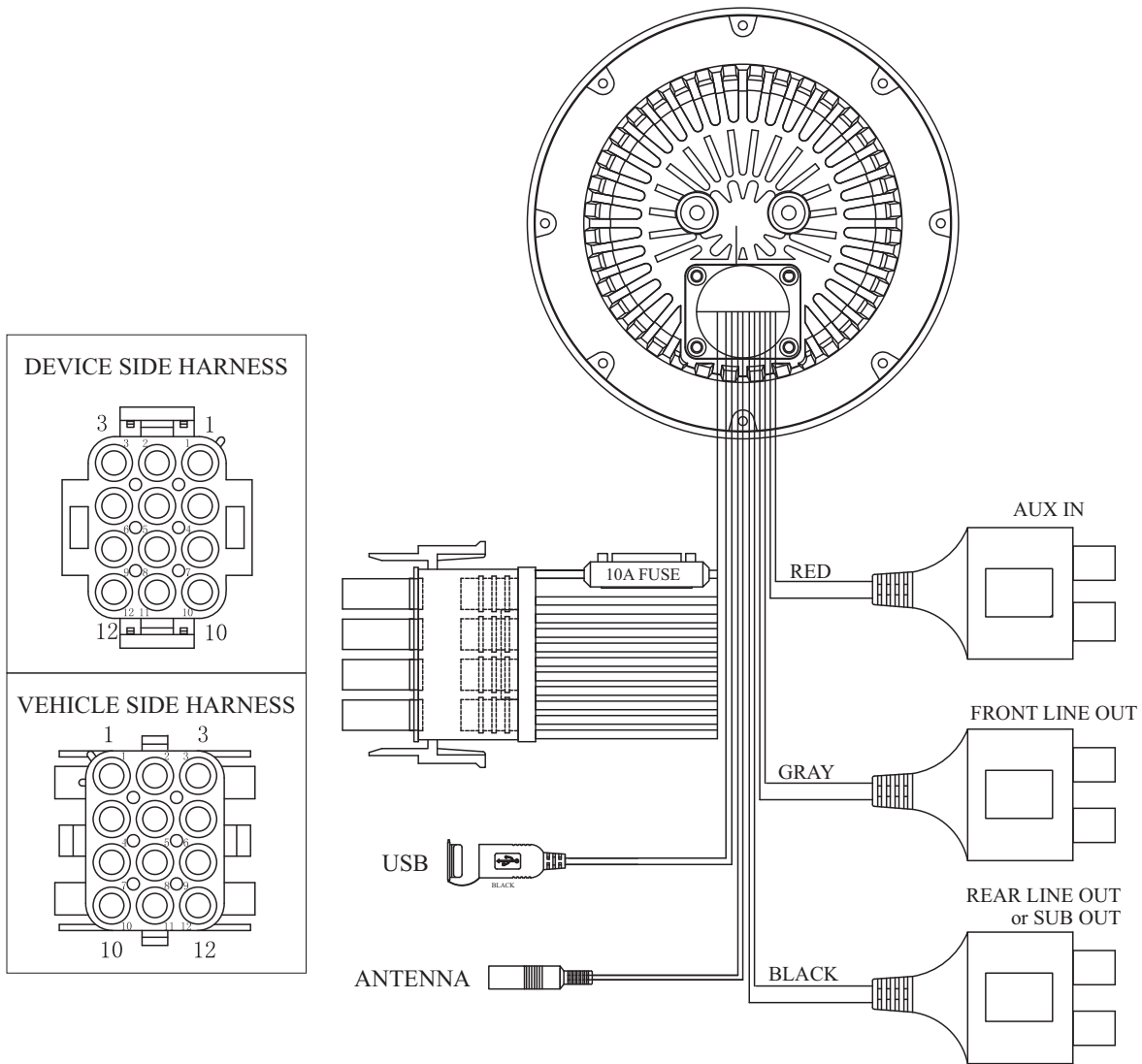


NO.	PART DESCRIPTION
1	MAIN DEVICE
2	MOUNTING SURFACE
3	MOUNTING STUDS
4	JAM NUTS
5	MOUNTING BRACKET
6	SPRING WASHER
7	OUTER NUTS

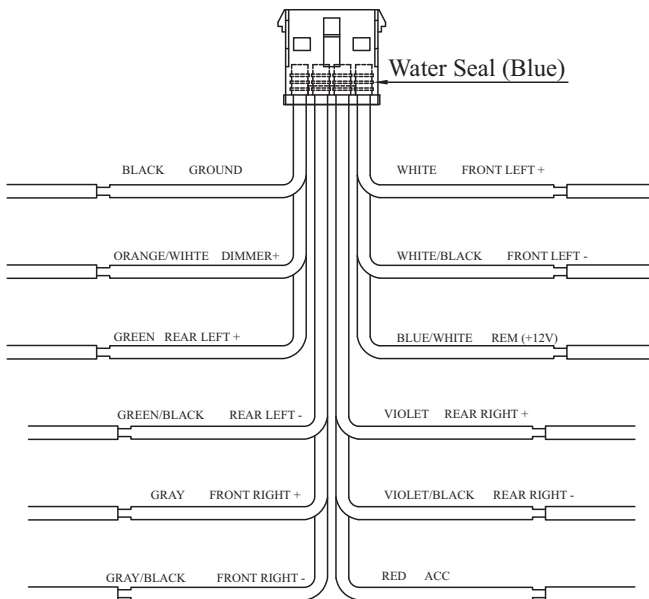
Instructions:

1. Install jamb nuts (4) loosely on mounting studs (3), so they will not touch mounting brackets (5) when installed.
2. Slip mounting bracket (5) on and make flush with mounting surface (2).
3. **DO NOT TIGHTEN**
4. Snug spring washer (6) and outer nuts (7) against mounting plate (2).
5. **DO NOT TIGHTEN**
6. Position jamb nuts approximately 1/16" from mounting bracket.
7. Tighten outer nuts completely.

10. WIRE CONNECTION



12 PIN HARNESS



PIN #	12 PIN HARNESS PIN OUT		AWG
	COLOR	FUNCTION	
1	BLACK	GROUND	16
2	ORANGE/WHITE	DIMMER (+12V)	20
3	GREEN	REAR LEFT +	20
4	GREEN/BLACK	REAR LEFT -	20
5	GRAY	FRONT RIGHT +	20
6	GRAY/BLACK	FRONT RIGHT -	20
7	VIOLET	REAR RIGHT +	20
8	VIOLET/BLACK	REAR RIGHT -	20
9	RED	ACCESSORY/IGNITION SWITCHED (+12V)	16
10	WHITE	FRONT LEFT +	20
11	WHITE/BLACK	FRONT LEFT -	20
12	BLUE/WHITE	AMPLIFIER REMOTE TURN ON (+12V)	20

Clarion Corporation of America

Clarion®


MARINE SYSTEMS



GR10BT

MARINE USB/MP3/WMA
RECEIVER WITH BUILT-IN
BLUETOOTH®

- Global AM/FM/Weatherband with RDS
- Built-In Bluetooth® with A2DP/AVRCP support
- MP3/WMA USB File Playback
- 45W x 4 Channel Built-In Amplifier
- Meets or exceeds ASTM standards for Salt Fog and UV protection

 Bluetooth®

MP3/WMA

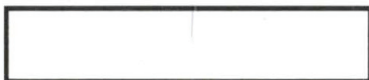
USB

AUX
INPUT

clarion®




MARINE SYSTEMS



This product is lead-free and environmentally friendly

The Bluetooth word mark and the Logos are owned by the Bluetooth SIG, Inc. and any use of such marks by Clarion Corporation of America is under license. Other trademarks and trade names are those of their respective owners. Images may differ from actual product.

Power Output: 16 Watts RMS x 4 Channels
at 4 Ohms and $\leq 1\%$ THD+N



The logo is circular with a blue background. It features a stylized circuit diagram with a triangle and a circle. The text "CEA-2006" is at the top, "Amplifier Power Standard" is at the bottom, and "CEA" is in the center.

Clarion

GARANTIE LIMITÉE DE 1 AN CLARION

Pour le Canada et les États-Unis seulement

Ce produit Clarion vendu par un marchand autorisé Clarion est garanti contre tous défauts de matériel et de fabrication pour une durée **d'un (1) an** à compter de la date de vente initiale lorsque l'achat est effectué chez un marchand autorisé Clarion; les items tels les piles sont couverts par une garantie de 6 mois suivants la date d'achat. Tous câblages, fils et autres accessoires Clarion achetés chez un marchand autorisé Clarion, sont garantis contre tous défauts de matériel **ET** de fabrication pour une durée de quatre-vingt-dix (90) jours suivant la date d'achat initiale.

TOUT ACHAT DE PRODUITS CLARION EFFECTUÉ CHEZ UN MARCHAND NON-AUTORISÉ CLARION SERA SOUMIS À DES RESTRICTIONS DE GRANANTIES DÉCRITES CI-DESSOUS.

Les conditions de cette garantie limitée et l'implication de la responsabilité de Clarion Corporation of America ou Clarion Canada Inc. "Clarion" sous cette garantie limitée sont les suivantes:

1. **UNE PREUVE DE DATE D'ACHAT D'UN MARCHAND AUTORISÉ CLARION EST REQUISE POUR SERVICE SOUS GARANTIE DE CE PRODUIT. DES INFORMATIONS SUPPLÉMENTAIRES CONCERNANT LES CENTRES DE SERVICES AUTORISÉS PAR CLARION PEUVENT ÊTRE OBTENUES EN CONTACTANT CLARION À UNE DES ADRESSES ÉNUMÉRÉES CI-BAS.**
2. Cette Garantie Limitée sera annulée si un dommage est survenu au bien lors d'un service effectué par une personne ou entreprise qui n'est pas accrédité comme un Centre de Service et Garantie Clarion.
3. Cette Garantie Limitée n'est aucunement applicable à un produit sujet à l'abus, négligence, accidentés, mal installé ou utilisation incorrects ou que les numéros de série ont été modifiés, obstrués ou effacés, ou qui a été raccordés, installés, ajustés ou réparés autrement qu'indiqué par Clarion.
4. Cette Garantie Limitée ne couvre pas les interférences électrostatiques, électriques ni les frais reliés à la manutention pour le retrait ou la réinstallation.
5. La responsabilité de Clarion sous cette Garantie Limitée est limitée uniquement à la réparation ou au remplacement du produit, qui est sujet uniquement à la discrétion de Clarion.
6. Ce produit doit est retourné dans son emballage d'origine ou équivalent. Le colis doit être entièrement assuré et tous frais de transport doivent être prépayés. Clarion n'assumera aucune responsabilité en cas de perte ou dommages survenue lors du transport.
7. **TOUS PRODUITS CLARION ACQUIS PAR L'ENTREMISE AUTRE QUE PAR UN MARCHAND AUTORISÉ PAR CLARION, INCLUANT TOUS ACHATS VIA UN MARCHAND VIRTUEL (ACHAT INTERNET) QUI N'EST PAS AUTORISÉ PAR CLARION, NE SONT PAS COUVERTS PAR LES GARANTIES LIMITÉES DE CLARION, ET CE, EN ACCORD AVEC LES LIMITATIONS DÉFINIES PAR LA LOI. DANS LE CAS OÙ LES LOIS APPLICABLES NE PERMETTENT PAS L'ÉLIMINATION DES GARANTIES SOUS CES CONDITIONS, LAPÉRIODE DE GARANTIE LIMITÉE QUI S'APPLIQUE AU PRODUIT SERA DE QUINZE(15) JOURS À PARTIR DE LA DATE D'ACHAT INITIALE.**
8. **AUCUNE GARANTIE IMPLICITE NE POURRA S'ÉTENDRE AU-DELÀ DE LA PÉRIODE DE GARANTIE DÉCRITE CI-DESSUS, ET CE, EN ACCORD AVEC LES LIMITES DÉFINIES PAR LA LOI. CLARION NE POURRA EN AUCUN CAS ÊTRE TENUE RESPONSABLE DES PERTES OU DOMMAGES DIRECTS OU INDIRECTS DUS À L'UTILISATION OU L'IMPOSSIBILITÉ D'UTILISATION DU PRODUIT. PUISQUE CERTAINS ÉTATS OU PROVINCES NE PERMETTENT PAS DE LIMITER LA DURÉE DES GARANTIES IMPLICITES, OU DE LIMITER LA RESPONSABILITÉ EN CAS DE DOMMAGES DIRECTS OU INDIRECTS, CES LIMITATIONS OU EXCLUSIONS PEUVENT NE PAS S'APPLIQUER À VOUS.**
9. **CETTE GARANTIE LIMITÉE VOUS DONNE DES DROITS LÉGAUX PRÉCIS. VOUS POUVEZ POSSÉDER DES DROITS SUPPLÉMENTAIRES SELON VOTRE LIEU DE RÉSIDENCE.**
10. Les lois de l'état de la Californie régissent totalement cette garantie limitée, son interprétation et sa mise en exécution.
11. Si vous éprouvez des problèmes de performance du produit pendant la période de garantie, veuillez communiquer avec Clarion ou visitez notre site Web à l'adresse ci-dessous afin d'obtenir une résolution de tout problème relié aux produits Clarion.

Aux Etats-Unis:
Clarion Corporation of America
Attn: Customer Service Manager
6200 Gateway Drive
Cypress, CA 90630
(800)-GO-CLARION
www.clarion.com

Au Canada:
Clarion Canada Inc.
Centre de Service et Garantie
3800A Laird Road, Unit 6
Mississauga, Ontario
L5L 0B2
(905) 828 2900
www.clarion.com

Clarion**CLARION 1 YEAR LIMITED WARRANTY**

For USA and Canada only

This Clarion product purchased from an authorized Clarion dealer are warranted against all defects in materials and workmanship for a period of **one (1) year** from the date of original purchase other than consumable parts, such as the battery pack, which are covered for 6 months from the date of purchase, when purchased from **AND** installed by an authorized Clarion dealer.

All Clarion cables, wires and other accessories if purchased from an authorized Clarion dealer are warranted against all defects in materials and workmanship for ninety (90) days unless otherwise specified from the date of original purchase.

ALL PURCHASES OF CLARION PRODUCTS FROM NON-AUTHORIZED CLARION DEALERS ARE SUBJECT TO FURTHER WARRANTY RESTRICTIONS AS DESCRIBED BELOW.

The conditions of this Limited Warranty and the extent of responsibility of Clarion Corporation of America ("Clarion") under this Limited Warranty are as follows :

1. **PROOF OF DATE OF PURCHASE FROM AN AUTHORIZED CLARION DEALER WILL BE REQUIRED FOR WARRANTY SERVICE OF THIS PRODUCT. CENTERS MAY BE OBTAINED BY CONTACTING CLARION AT THE ADDRESS LISTED BELOW.**
2. This Limited Warranty will become void if service performed by anyone other than an approved Clarion Warranty Service Center results in damage to the product.
3. This Limited Warranty does not apply to any product which has been subject to misuse, neglect or accident, or which has had the serial number altered, defaced or removed, or which has been connected, installed, adjusted or repaired, other than in accordance with the instructions furnished by Clarion.
4. This Limited Warranty does not cover car static or other electrical interferences, tape head or laser pick-up cleaning or adjustments, or labor costs for the removal or reinstallation of the unit for repair.
5. The sole responsibility of Clarion under this Limited Warranty shall be limited to the repair of the product or replacement of the product, at the sole discretion of Clarion.
6. Product must be shipped in its original carton or equivalent carton, fully insured, with shipping charges prepaid. Clarion will not assume any responsibility for any loss or damage incurred in shipping.
7. **CLARION PRODUCTS PURCHASED FROM A SOURCE OTHER THAN AN AUTHORIZED CLARION DEALER, INCLUDING ANY AND ALL PURCHASES VIA THE INTERNET FROM A NON INTERNET AUTHORIZED CLARION DEALER, SHALL NOT BE COVERED BY ANY CLARION LIMITED WARRANTY TO THE EXTENT ALLOWED BY APPLICABLE LAW. IN THE EVENT AND TO THE EXTENT APPLICABLE LAW PROHIBITS ELIMINATION OF WARRANTIES UNDER THESE CIRCUMSTANCES, THE APPLICABLE LIMITED WARRANTY PERIOD SHALL BE DEEMED TO BE FIFTEEN (15) DAYS FROM THE DATE OF ORIGINAL PURCHASE.**
8. **ALL IMPLIED WARRANTIES EXCEPT TO THE EXTENT PROHIBITED BY APPLICABLE LAW SHALL HAVE NO GREATER DURATION THAN THE WARRANTY PERIOD SET FORTH ABOVE. UNDER NO CIRCUMSTANCES SHALL CLARION BE LIABLE FOR ANY LOSS OR DAMAGE, DIRECT OR CONSEQUENTIAL, ARISING OUT OF THE USE OR INABILITY TO USE THE PRODUCT. BECAUSE SOME STATES DO NOT ALLOW LIMITATIONS ON HOW LONG AN IMPLIED WARRANTY LASTS OR EXCLUSIONS OR LIMITATIONS OF INCIDENTAL OR CONSEQUENTIAL DAMAGES, THE ABOVE LIMITATIONS OR EXCLUSIONS MAY NOT APPLY TO YOU.**
9. **THIS LIMITED WARRANTY GIVES YOU SPECIFIC LEGAL RIGHTS, AND YOU MAY ALSO HAVE OTHER RIGHTS WHICH VARY FROM STATE TO STATE.**
10. The laws of the State of California shall govern and control this Limited Warranty, its interpretation and enforcement.
11. Should you have any difficulties with the performance of this product during the warranty period, please call Clarion or visit our web site for a listing of Authorized Warranty Service Centers in your area. You may also contact Clarion Customer Service at the address listed below for any service help you may need with Clarion products.

In USA:
Clarion Corporation of America
Attn: Customer Service Manager
6200 Gateway Drive
Cypress, CA 90630
(800)-GO-CLARION
www.clarion.com

In Canada:
Clarion Canada Inc.
Warranty Service Center
3800A Laird Road, Unit 6
Mississauga, Ontario
L5L 0B2
(905) 828 2900
www.clarion.com