



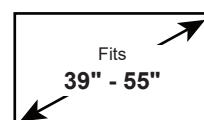
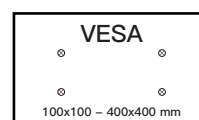
The ERMMM6-01B full motion mount fits most 39" to 55" TVs up to 75 lbs. Enhanced movement provides up to 15 degree tilt and 60 degree swivel for the best viewing angle. IsoTILT™ technology ensures TV tilt angle will not drift. The industry-leading construction allows effortless TV positioning regardless of size and weight. Integrated cable management helps to conceal unsightly power and HDMI cables.

Features

- IsoTILT™ technology ensures TV tilt angle will not drift.
- Industry-leading design allows effortless TV positioning regardless of size and weight.
- Advanced industrial design and streamlined look complements today's sleek TVs.
- Enhanced movement provides up to 15° tilt and 60° swivel for the best viewing angle.
- Integrated cable management helps to conceal unsightly power and HDMI cables.
- Fits 39" to 55" TVs up to 75 lbs in weight.



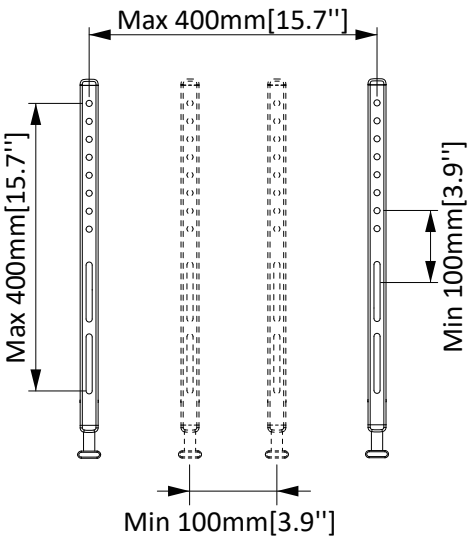
TV Compatibility



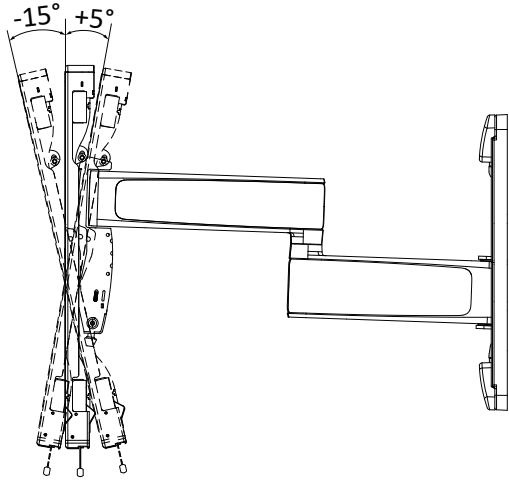
Model Number **ERMMM6-01B** **WARRANTY:** **5-Year**

Product Specifications	DIMENSIONS (W x H x D)	PRODUCT WEIGHT	LOAD CAPACITY	FINISH	AVAILABLE COLORS
	28" x 20.8" x 22"	23.7 lbs.	75 lbs.	Powder Coating	Black
715mm x 527.5mm x 559mm	10.76 KG	34 KG			

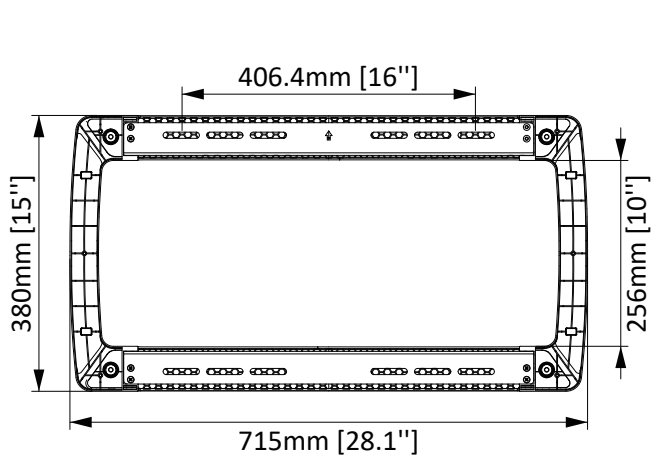
Product Dimensions



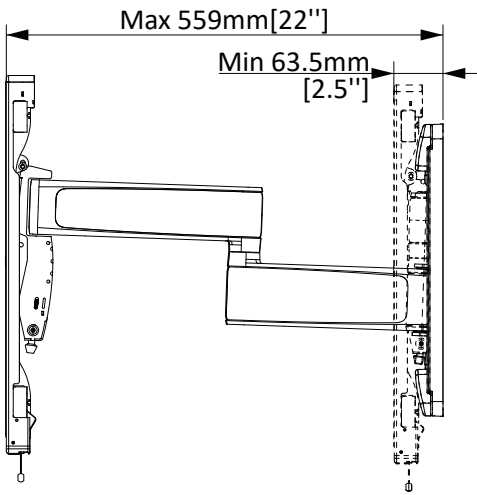
TV INTERFACE



SIDE VIEW - TILTING



WALL PLATE



SIDE VIEW