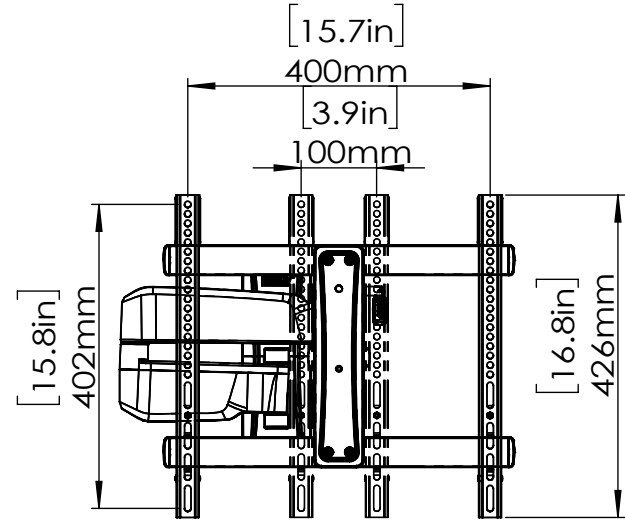


TV INTERFACE



VESA:100x100
to 400x400

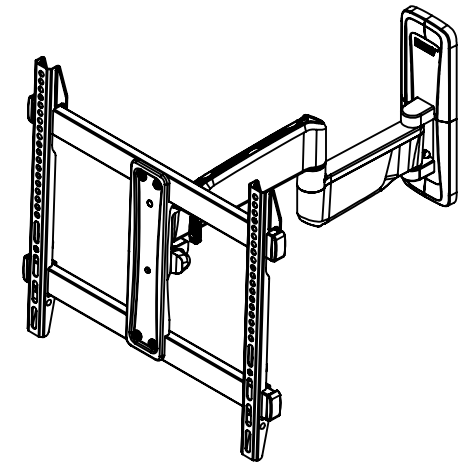
Technical Drawing

REV00

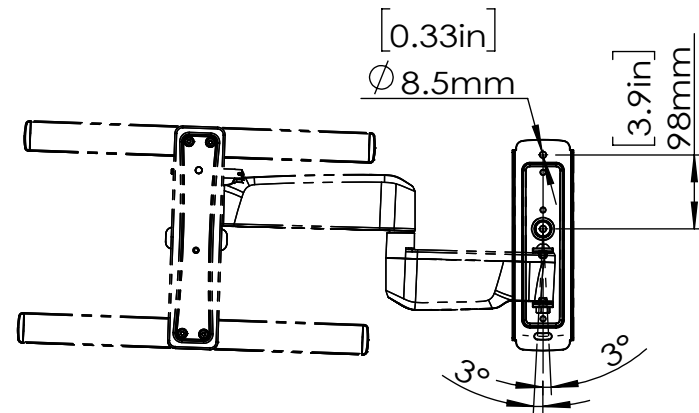
| | |
|-------------------|----------------------|
| Model Number | ERMMM9-01 |
| Maximum TV Weight | 75 LBS |
| TV Size Range | 32-65" |
| Net Weight | 8.36 LBS |
| Gross Weight | 10.78 LBS |
| Product Dimension | 20.6" x 16.8" x 2.9" |

THE INFORMATION CONTAINED IN THIS DRAWING IS THE CONFIDENTIAL AND PROPERTY OF SHENZHEN BESTQI INNOVATION TECHNOLOGY CO.,LTD. ANY REPRODUCTION OR DISCLOSED WITHOUT THE WRITTEN PERMISSION OF BSQ IS PROHIBITED.

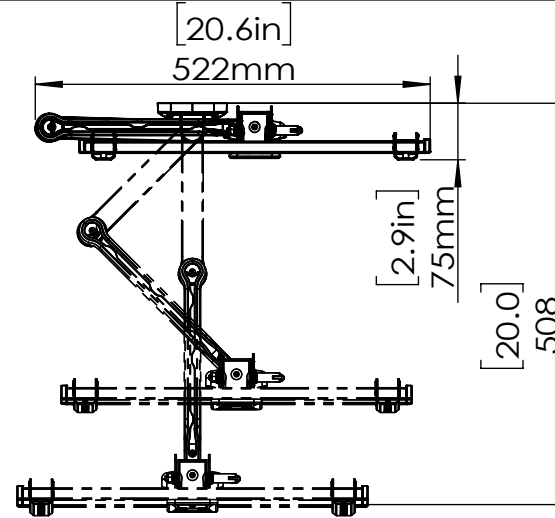
3-D View



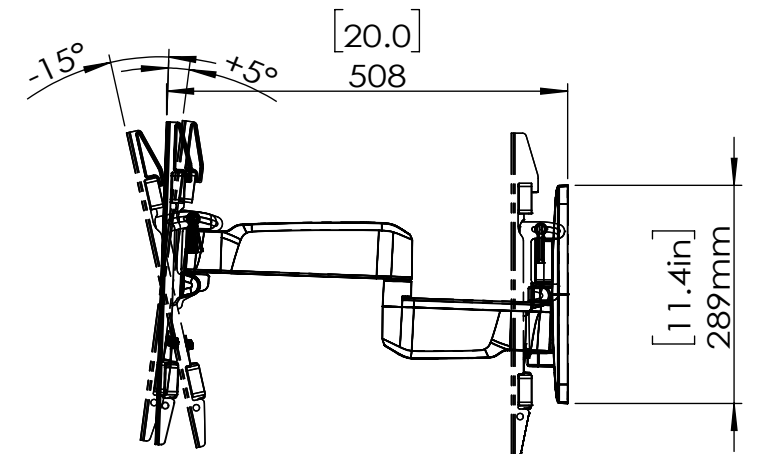
WALL PLATE



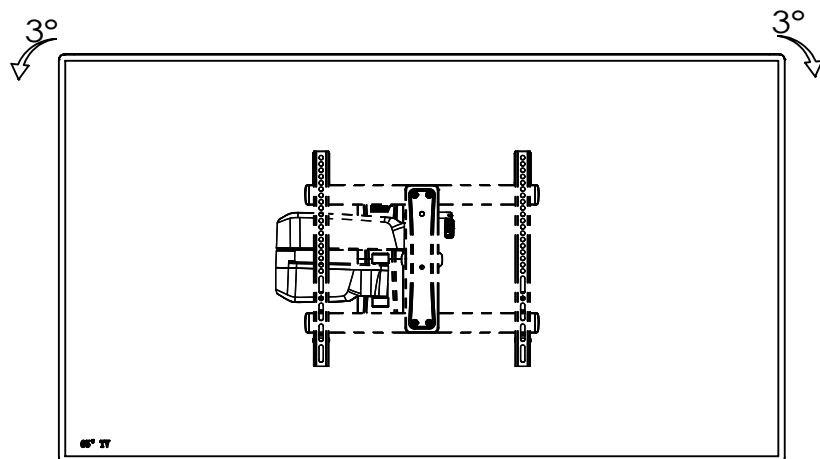
TOP VIEW



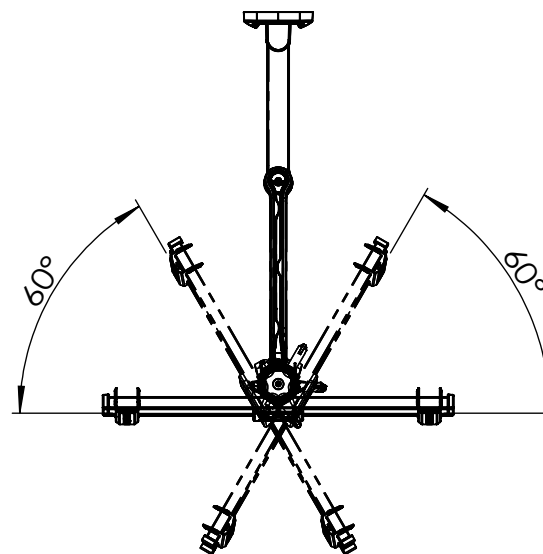
SIDE VIEW - TILTING



LEVEL ADJUSTMENT



TOP VIEW-SWIVEL



SHIP WITH

