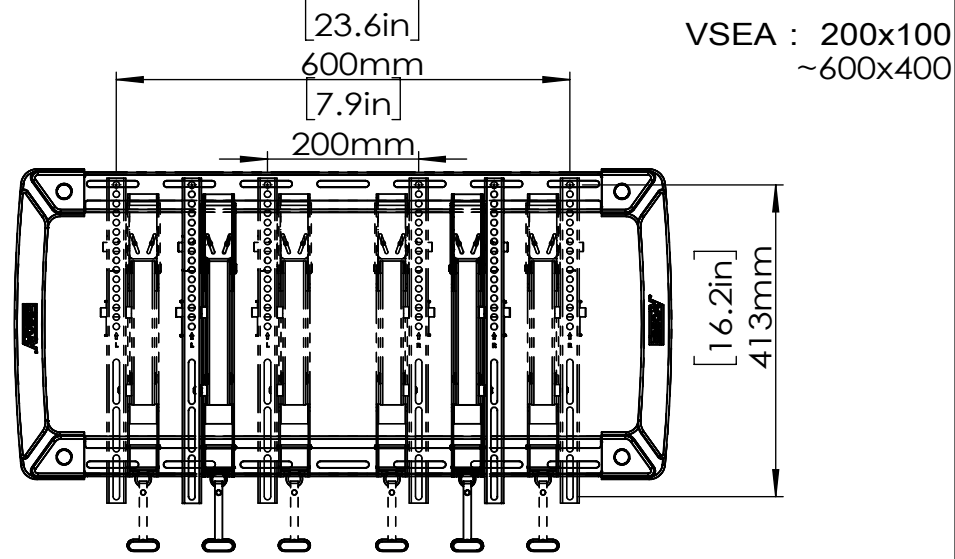


TV INTERFACE



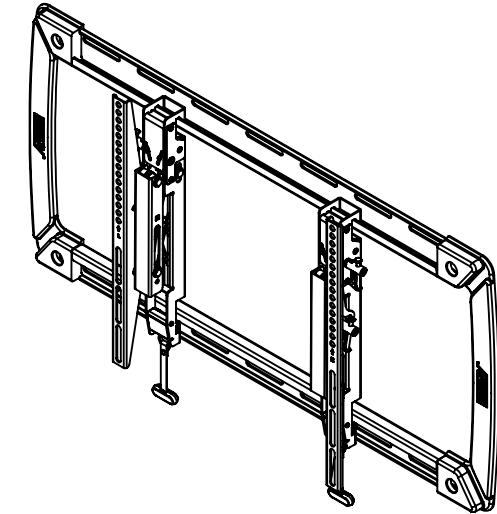
Tech-Drawing

REV00

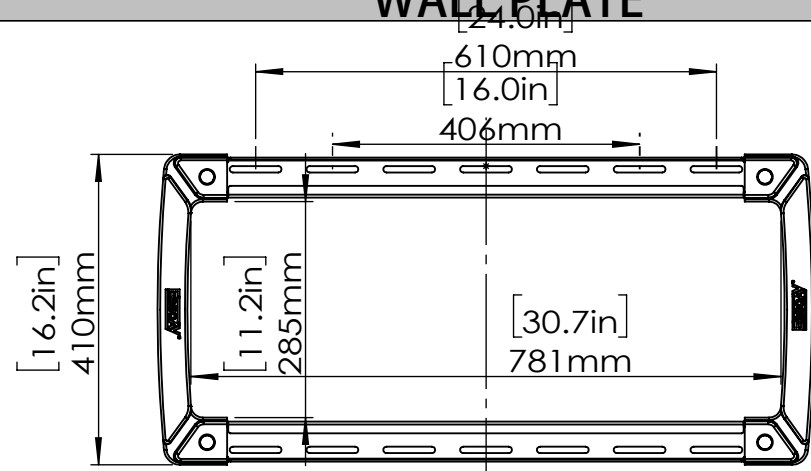
Model Number	ERMTL3-01
Maximum TV Weight	160 LBS
TV Size Range	46-100"
Net Weight	13.6LBS
Gross Weight	17.7LBS
Product Dimension	34.2" x 17.4 x 2.94"

THE INFORMATION CONTAINED IN THIS DRAWING IS THE CONFIDENTIAL AND PROPERTY OF SHENZHEN BESTQI INNOVATION TECHNOLOGY CO.,LTD. ANY REPRODUCTION OR DISCLOSED WITHOUT THE WRITTEN PERMISSION OF BSQ IS PROHIBITED.

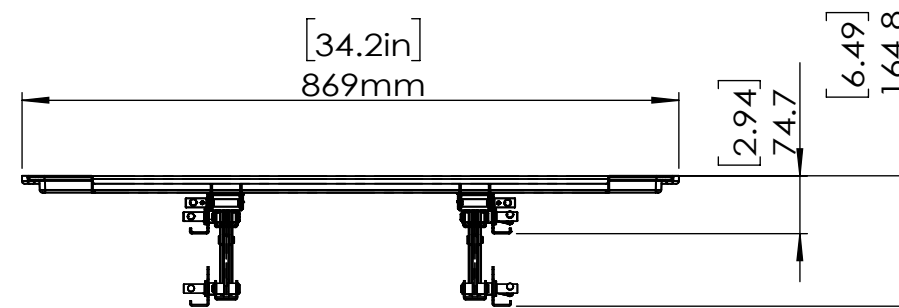
3-D View



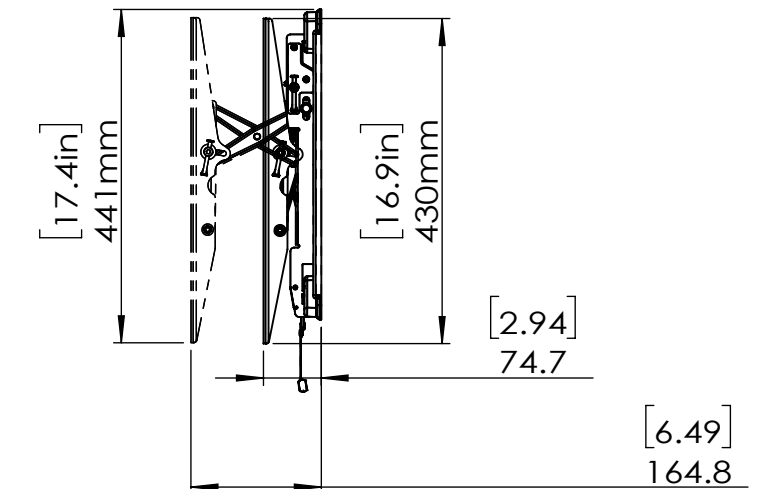
WALL PLATE



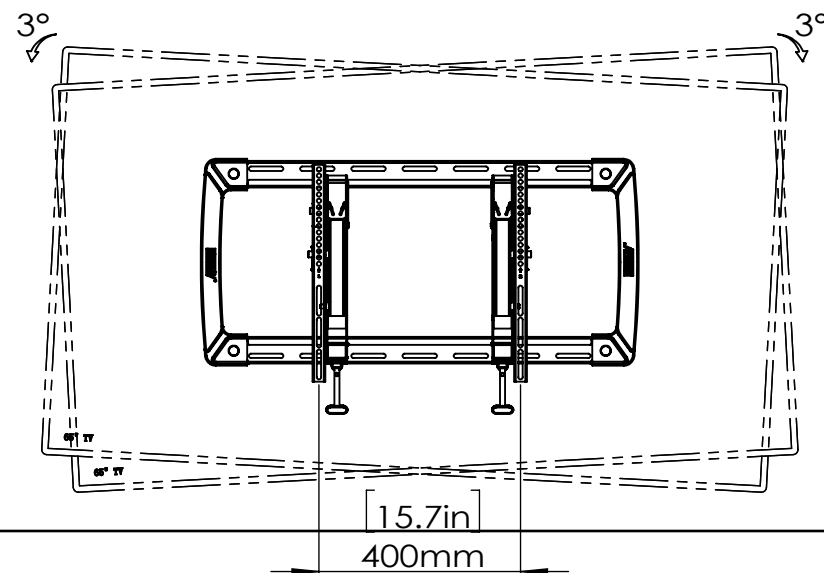
TOP VIEW



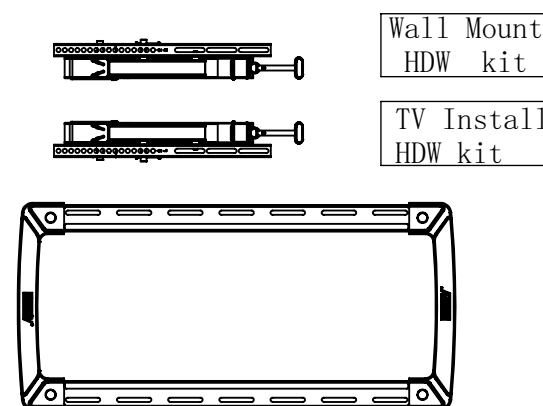
SIDE VIEW - EXTEND



LEVEL ADJUSTMENT



SHIP WITH



SIDE VIEW-TILTING

