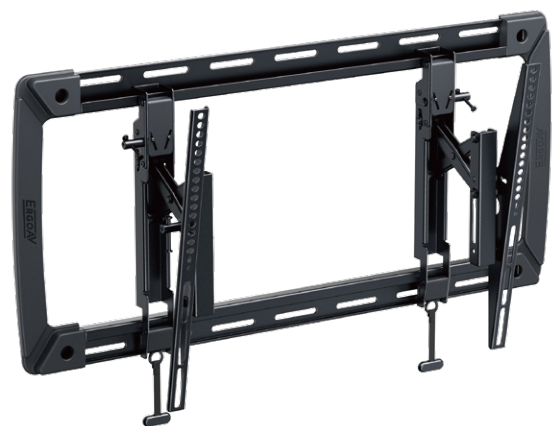




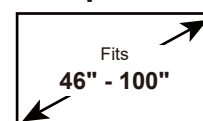
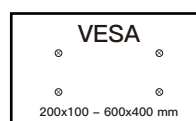
Large Extend Tilt Mount for TVs 46" to 100". Extension functionality allows for an increased tilting range and easy cable access. Tilting functionality helps reduce reflections and enhances the viewing experience. Level adjustment of ± 3 enables the TV to be adjusted post-installation for a better viewing experience. The unique latching mechanism allows the TV to be securely attached and removed from the wall plate quickly and easily. Horizontal shift allows the TV to be moved horizontally on the wall plate to allow optimal placement on the wall. The open wall plate accommodates outlets and low voltage pass-through. Safety testing and UL certification ensure peace of mind.

Features

- Fits 46" to 100" TVs up to 160 lbs in weight.
- Open wall plate design offers space for outlets.
- Level Adjustment ± 3 allows the TV to be adjusted post-installation for a better viewing experience.
- The industry-leading design allows effortless TV positioning regardless of size and weight.
- Enhanced movement provides up to 15° tilt for the best viewing angle.
- Extends up to 6.5" for easy cable access and retracts back to 2.94" for a low-profile look.
- Pull cord lock allows easy and reliable locking or unlocking of your TV.



TV Compatibility



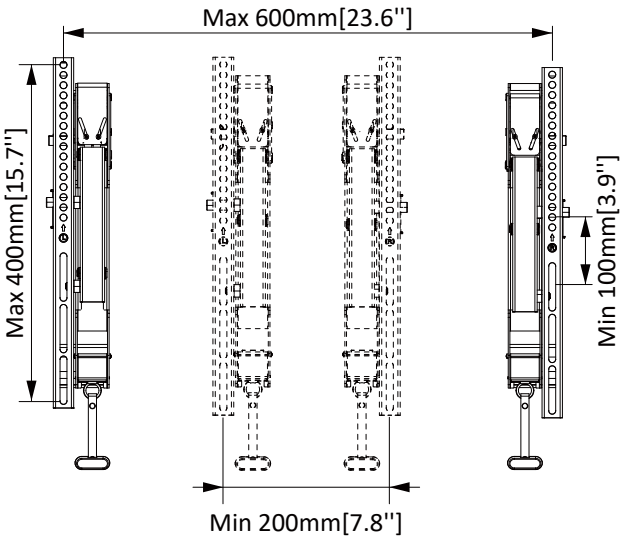
Model Number	ERMTL3-01B	WARRANTY:	5-Year
---------------------	-------------------	------------------	---------------

Product Specifications	DIMENSIONS (W x H x D)	PRODUCT WEIGHT	LOAD CAPACITY	FINISH	AVAILABLE COLORS
	34.2" x 16.9" x 6.5"	13.6 lbs.	160 lbs.	Powder Coating	Black
	870mm x 430mm x 165mm	6.18 KG	73 KG		

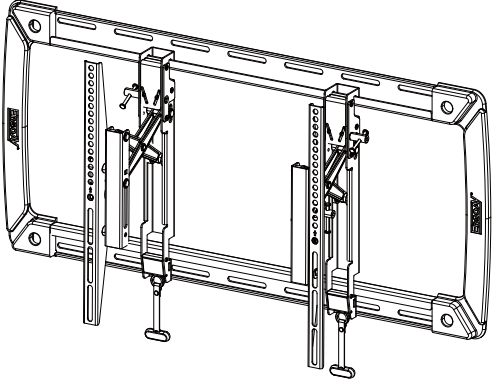
Package Specifications	PACKAGE SIZE (W x H x D)	PACKAGE WEIGHT	PACKAGE UPC CODE	PACKAGE CONTENTS	UNITS IN PACKAGE
	36" x 3.3" x 16.9"	17 lbs.	810082201383	Product, Manual, Mounting Template, Parts	1 Unit
916mm x 83mm x 430mm	7.75 KG				

Master Carton Specifications	PACKAGE SIZE (W x H x D)	PACKAGE WEIGHT	UNITS IN CARTON		
	36.9" x 7.5" x 17.5"	36.4 lbs.			
936mm x 190mm x 445mm	16.5 KG				

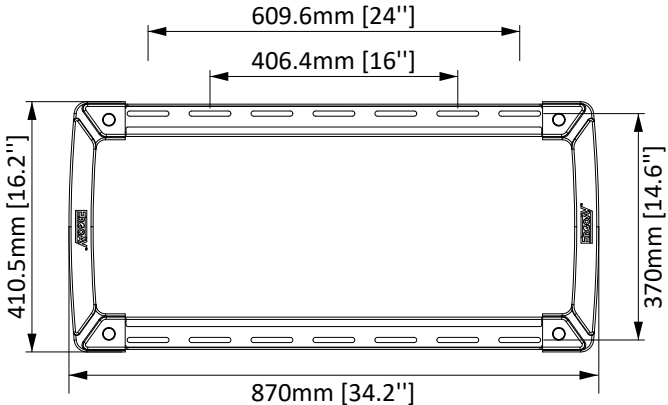
Product Dimensions



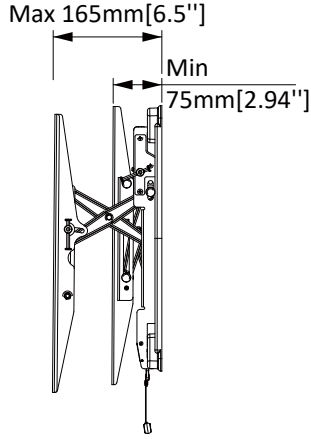
TV INTERFACE



3D VIEW



WALL PLATE



SIDE VIEW