



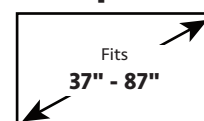
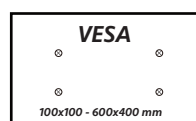
The ERMTL6-01B tilting mount fits most TVs 37" to 86" and up to 132 lbs. Tilting functionality helps with reducing reflections and enhances the viewing experience. Level adjustment of ± 3 enables the TV to be adjusted post-installation for a better viewing experience. The unique latching mechanism allows the TV to be attached securely and removed from the wall plate quickly and easily. Horizontal shift allows the TV to be moved horizontally on the wall plate to allow optimal placement on the wall. Safety tested and UL certified.

Features

- Fits 37" to 86" TVs up to 132lbs in weight.
- Industry-leading design allows effortless
- TV positioning regardless of size and weight.
- Enhanced movement provides up to 15° tilt for the best viewing angle.
- 2.6" low profile brings your room a clean look.
- Pull cord lock allows easy and reliable locking or unlocking of your TV.
- The 2° level function ensures the television is perfectly level for optimal viewing.



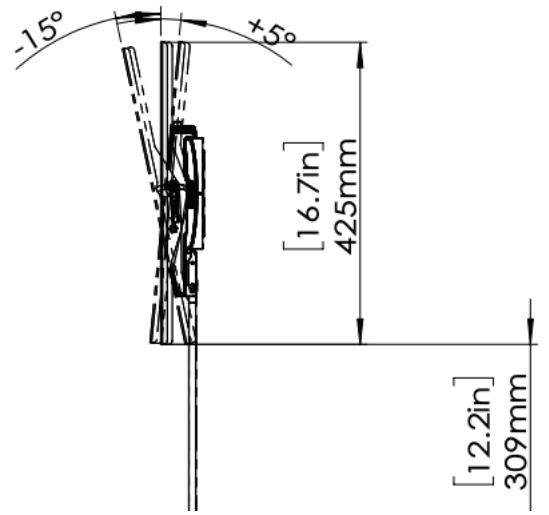
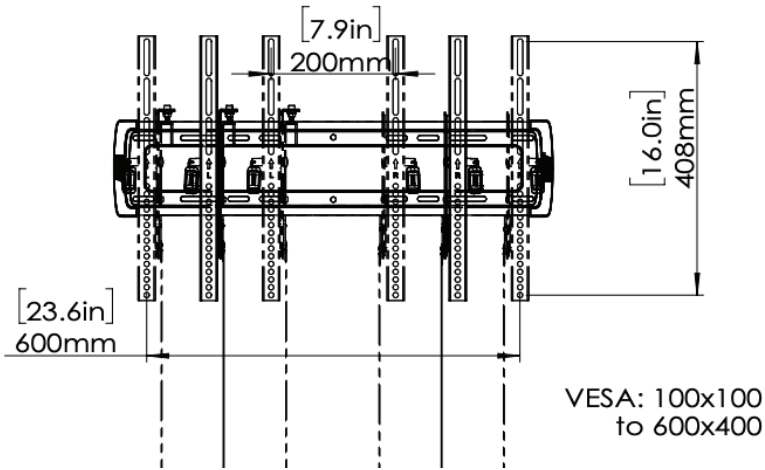
TV Compatibility



WARRANTY: 5-Year

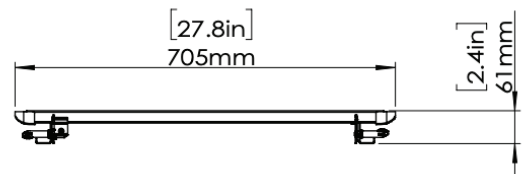
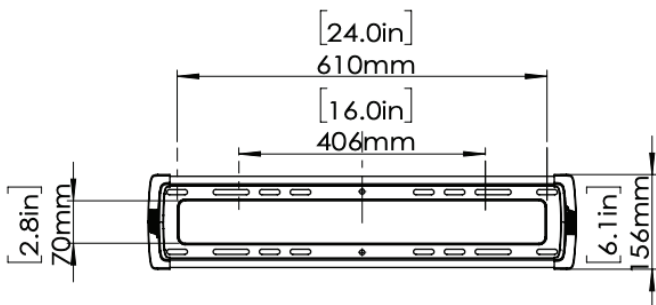
Product Specifications	DIMENSIONS (W x H x D)	PRODUCT WEIGHT	LOAD CAPACITY	FINISH	AVAILABLE COLORS
	27.8" x 16.7" x 2.4"	5.17 lbs.	132 lbs.	Powder Coating	Black
706mm x 424mm x 61mm	42.34 KG	60 KG			

Product Dimensions



TV INTERFACE

SIDE VIEW - TILTING



WALL PLATE

TOP VIEW