

K2 POWER

ES 100 KE | EC 165 KE | ES 165 KE | ES 165 K2E

ES 165 KX2E | ES 165 KX3E | ES 165 K2S

SUB 25 KXS | SUB 30 KXE | SUB 25 KXE

Démarrage rapide / *Quick Start*



GO TO THE
USER MANUAL



[https://www.focal.com/
usermanual/k2-power](https://www.focal.com/usermanual/k2-power)

- FR** Accédez à la notice d'utilisation
- DE** Bedienungsanleitung lesen
- ES** Acceda a las instrucciones de uso
- IT** Accedi alle istruzioni per l'uso
- PT** Ir para o manual do utilizador
- NL** Ga naar de gebruiksaanwijzing
- PL** Przejdź do instrukcji obsługi
- RU** Перейти к инструкции по эксплуатации
- ZH** 访问使用说明
- KO** 사용설명서 보러가기
- JP** 取扱説明書を見る
- AR** اذهب إلى دليل الاستخدام

 **FOCAL**®

ES 100 KE



A x 1



B x 2



C x 2



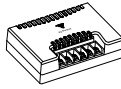
D x 2



E x 2



F x 2



G x 2



H x 8



I x 4



J x 8

ES 165 KE



A x 1



B x 2



C x 2



D x 2



E x 2



F x 2



G x 2



H x 8



I x 4



J x 8

ES 165 KX2E



A x 1



B x 2



C x 2



K x 2



N x 2



F x 2



L x 2



H x 8



I x 4



J x 8

ES 165 K2S



A x 1



B x 2



C x 2



D x 2



E x 2



F x 2



G x 2



H x 8



I x 4



J x 8

ES 165 K2E



A x 1



B x 2



C x 2



D x 2



E x 2



F x 2



L x 2



H x 8



I x 4



J x 8

ES 165 KX3E



A x 1



B x 2



B x 2



C x 2



C x 2



K x 2



N x 2



F x 2



L x 2



H x 8



I x 12



J x 16



M x 2

EC 165 KE



A x 1



B x 2



C x 2



H x 8



I x 4



J x 8

SUB 25 KXS



A x 1



B x 1

SUB 25 KXE



A x 1



B x 1

SUB 30 KXE

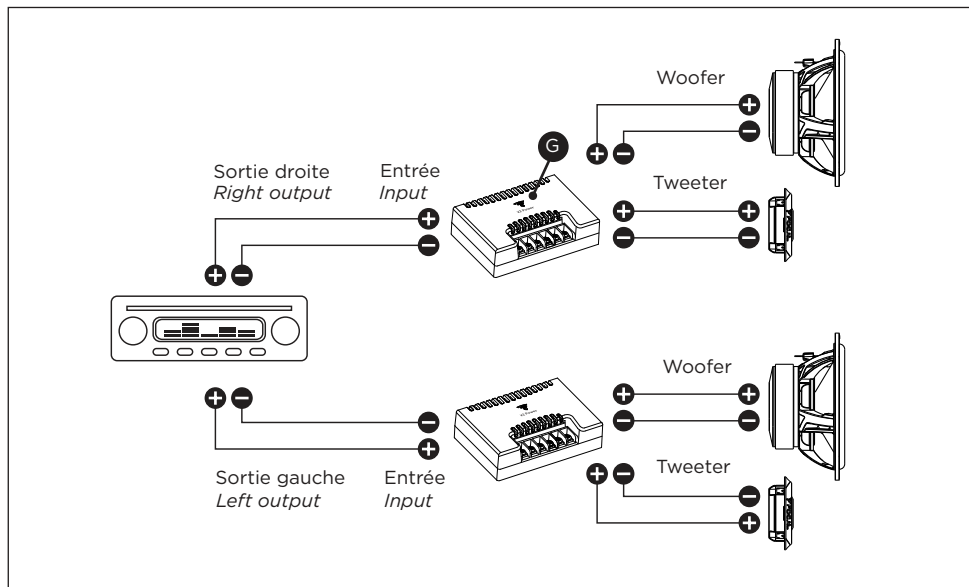


A x 1

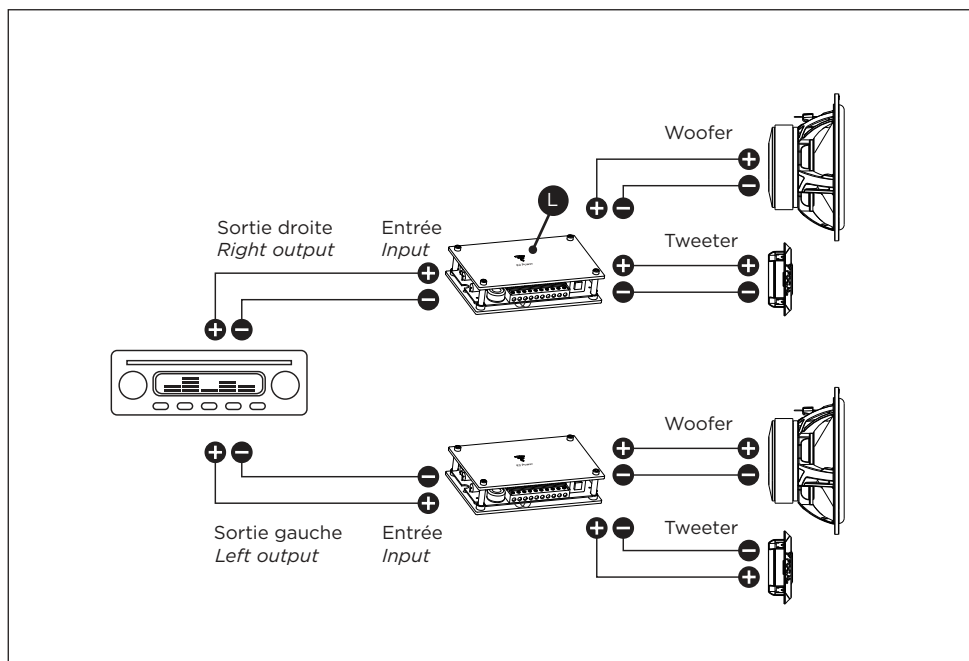


B x 1

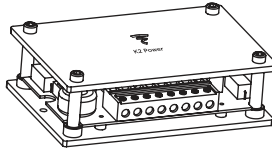
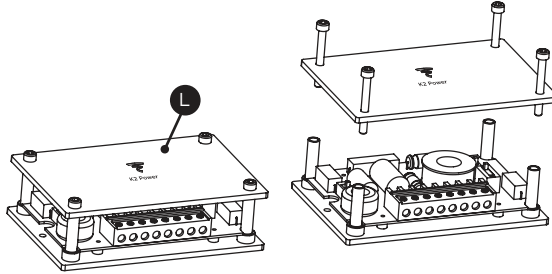
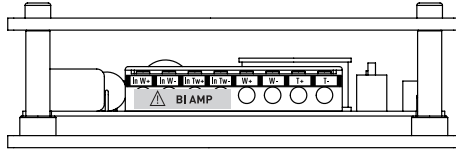
ES 100 KE / ES 165 KE / ES 165 K2S



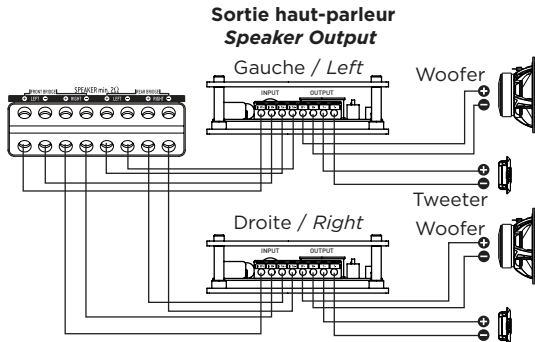
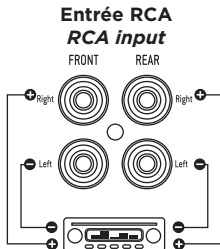
ES 165 KX2E / ES 165 KX3E / ES 165 K2E



ES 165 KX2E

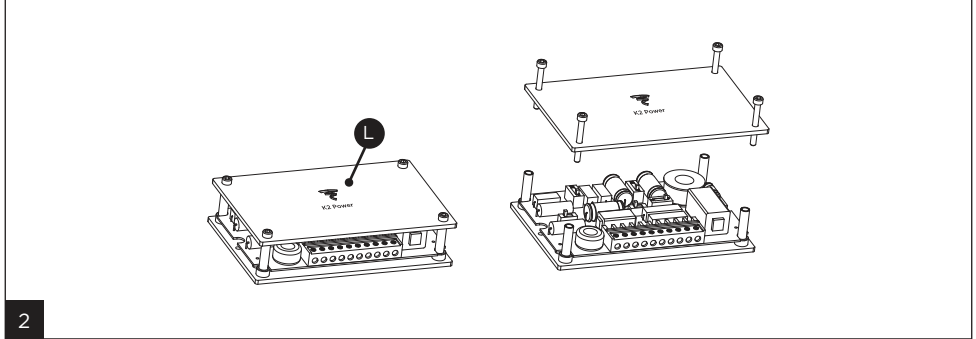
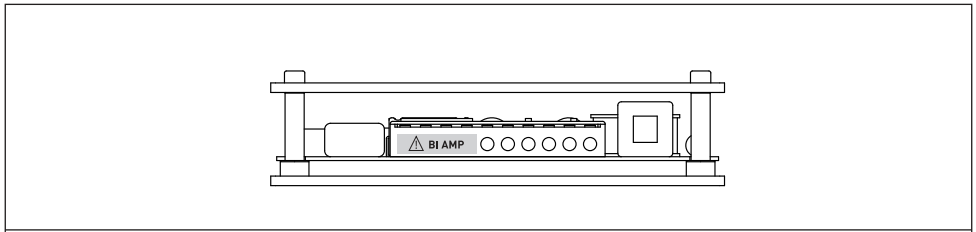
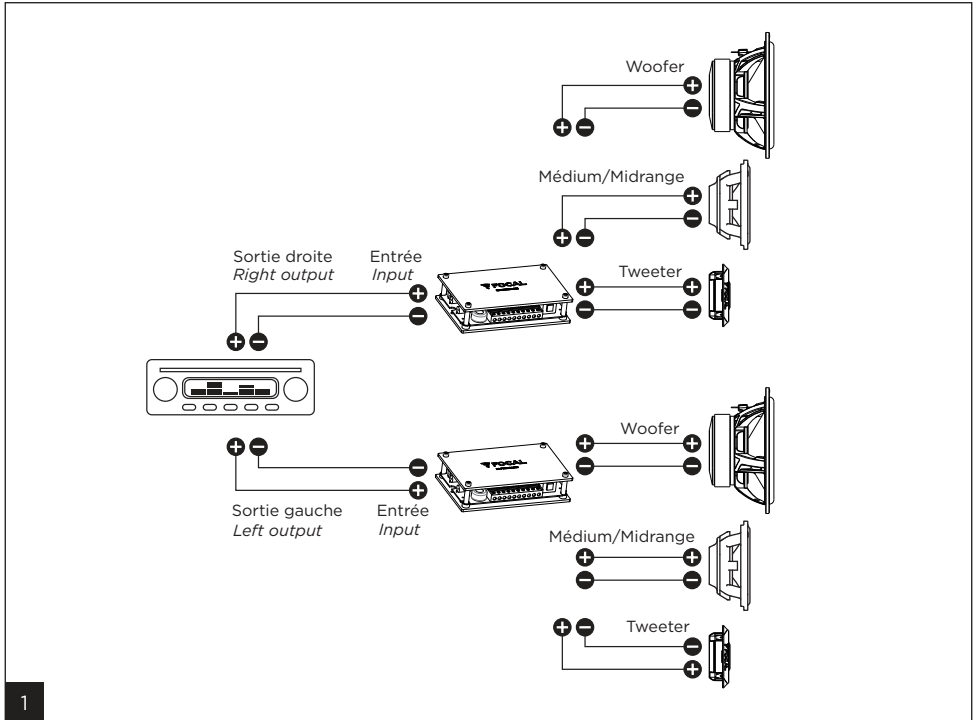


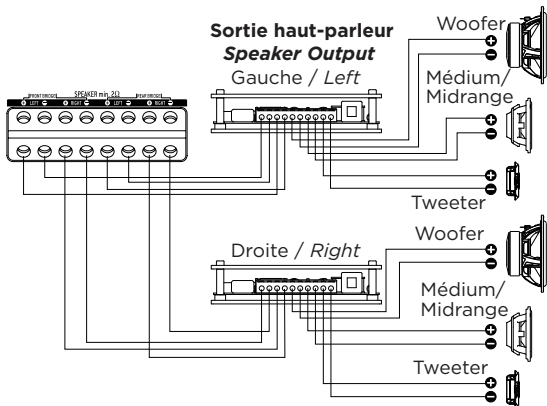
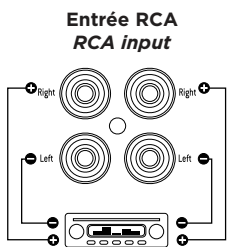
1



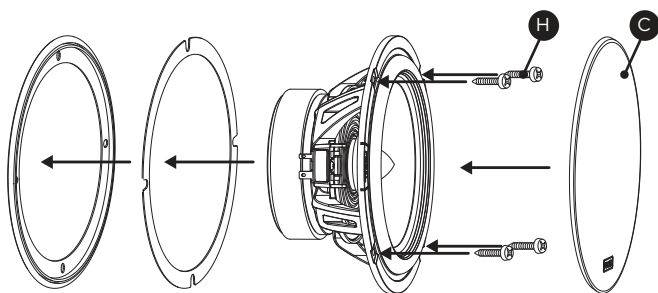
2

ES 165 KX3E

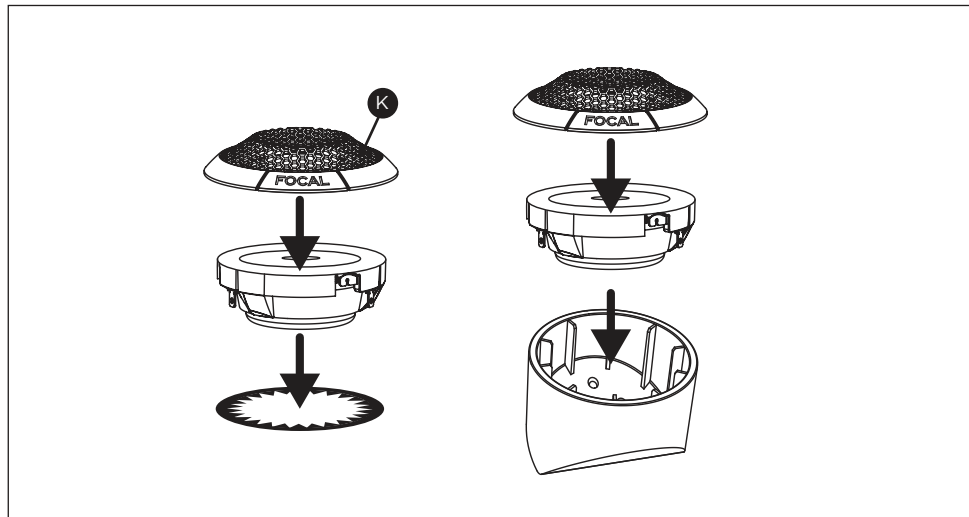




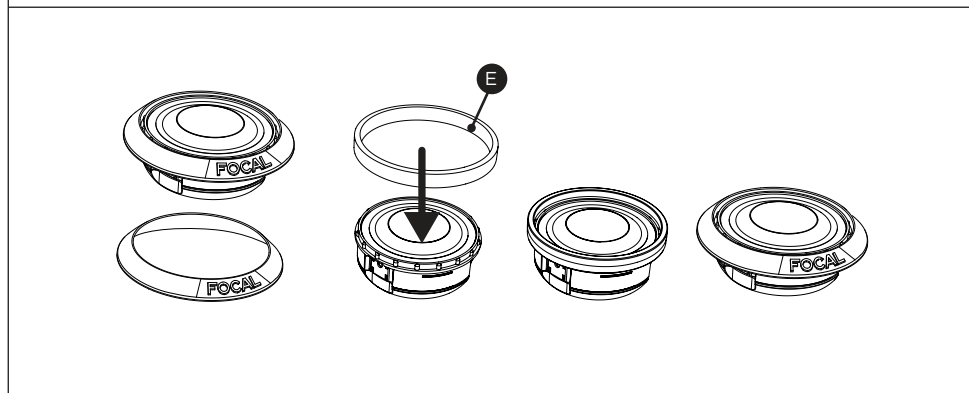
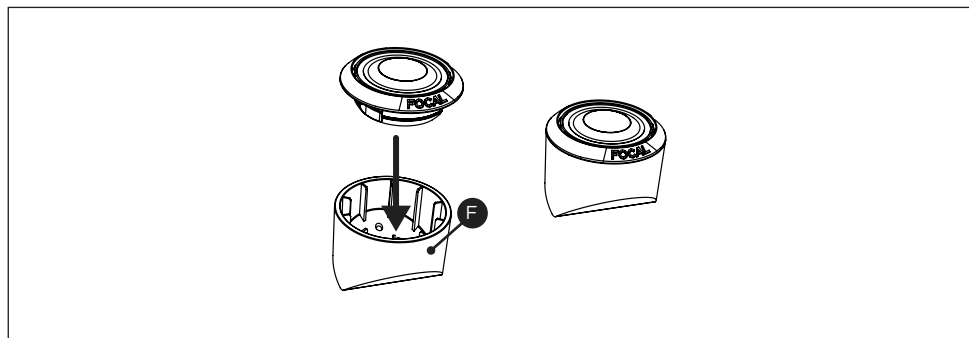
3



ES 165 KX2E / ES 165 KX3E | TWEETER FRAK

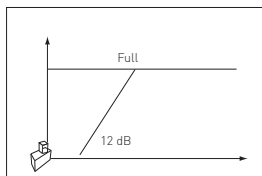


ES 100 KE / ES 165 KE / ES 165 K2E / ES 165 K2S | TWEETER TKME

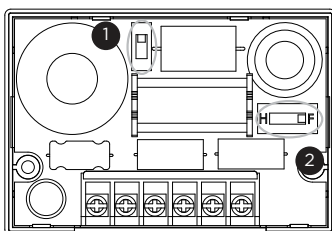
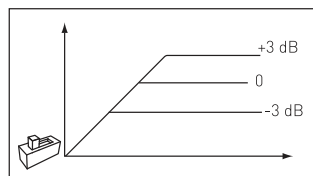


ES 100 KE

- 1** Réglage du woofer
(Passe-haut ou "Full")
*Woofer high pass /
full adjustment*

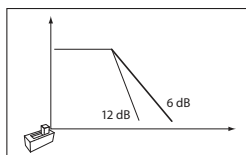


- 2** Réglage du niveau du tweeter
Tweeter level adjustment

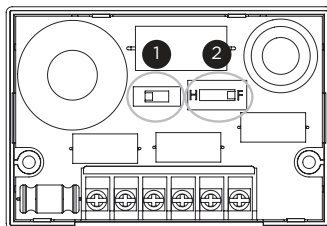
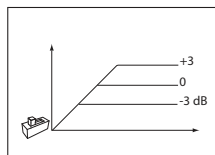


ES 165 KE

- 1** Pente de coupure du woofer
Woofer low pass slope

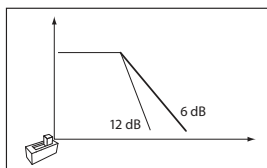


- 2** Réglage du niveau du tweeter
Tweeter level adjustment

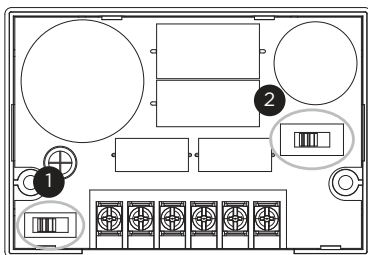
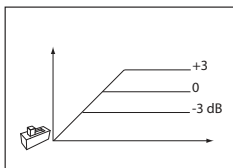


ES 165 K2S

- 1 **Pente de coupure du woofer**
Woofer low pass slope

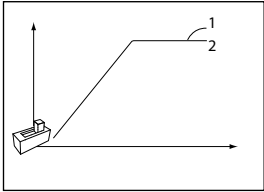


- 2 **Réglage du niveau du tweeter**
Tweeter level adjustment

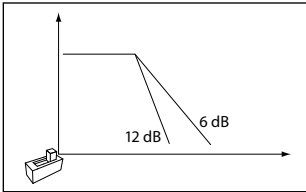


ES 165 K2E

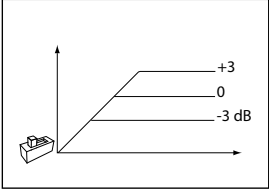
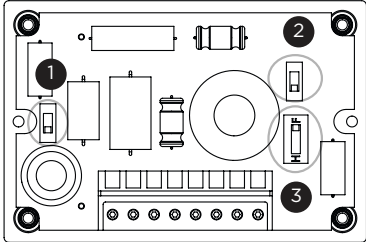
1 Réglage du tweeter
Tweeter adjustment (1=High treble)



2 Pente de coupure du woofer
Woofer low pass slope

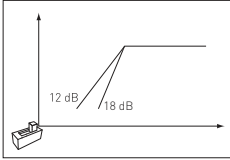


3 Pente de coupure du woofer
Woofer low pass slope

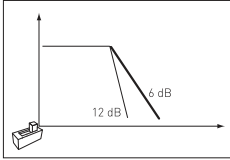



ES 165 KX2E

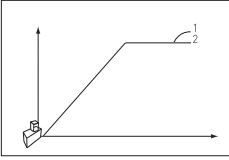
1 Pente de coupure du tweeter
Tweeter high pass slope



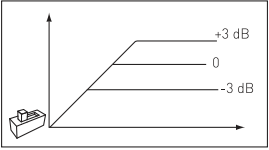
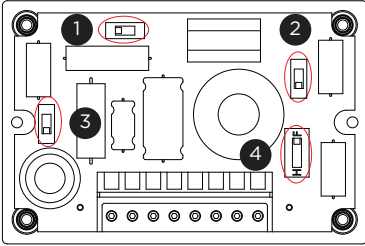
2 Pente de coupure du woofer
Woofer low pass slope



3 Réglage du tweeter
(1=Extrême aigu)
Tweeter adjustment (1=High treble)

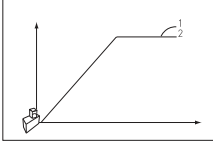


4 Réglage du niveau du tweeter
Tweeter level adjustment

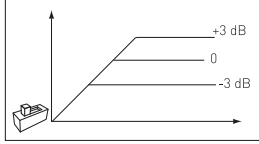



ES 165 KX3E

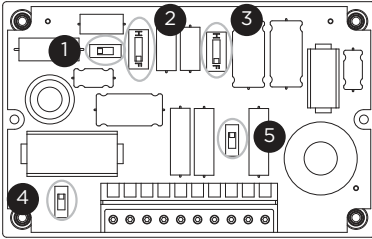
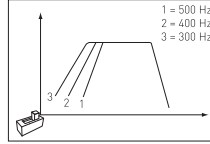
- 1** Réglage du tweeter
(1=Extrême aigu)
Tweeter adjustment
(1=High treble)



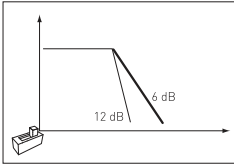
- 2** Réglage du niveau tweeter
Tweeter level adjustment



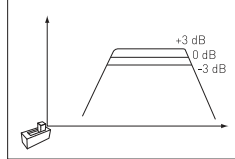
- 3** Réglage du passe-haut médium
Midrange high pass adjustment



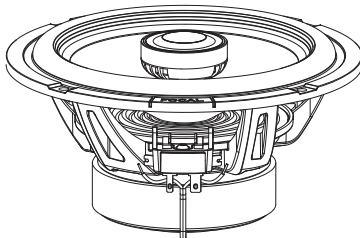
- 4** Pente de coupure du woofer
Woofer low pass slope



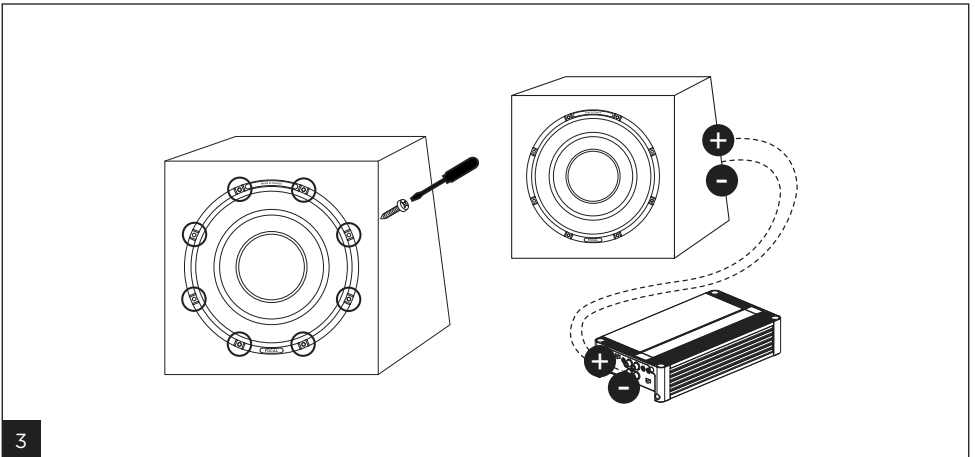
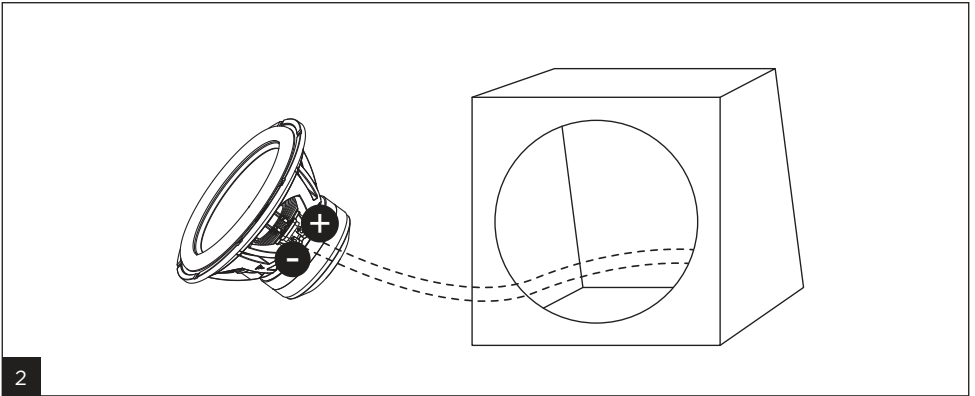
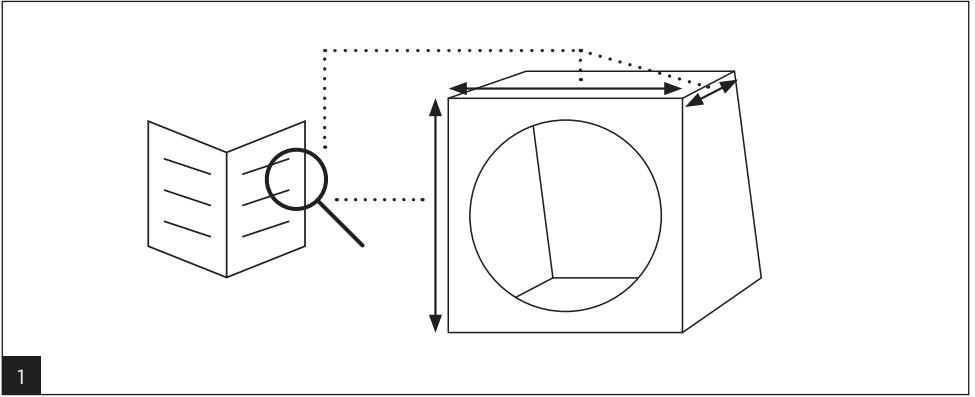
- 5** Réglage du niveau du médium
Midrange level adjustment



EC 165 KE





SUB 25 KXS / SUB 25 KXE / SUB 30 KXE





**READ FIRST!
IMPORTANT SAFETY INSTRUCTIONS!**

	The exclamation mark represented in an equilateral triangle is intended to alert users to the existence of important instructions in the user manual relating to the use and maintenance of the device.	
<p>1. Read these instructions. 2. Keep these instructions. 3. Heed all the warnings. 4. Follow all the instructions. 5. To avoid damaging your hearing, do not listen to loudspeakers at high volumes for long periods of time. Listening to loudspeakers at high volumes can cause damage to the user's ears and may lead to hearing problems (temporary or permanent deafness, buzzing in the ears, tinnitus, hyperacusis). Exposure to excessive volumes (over 85dB) for more than one hour can cause irreparable damage to your hearing.</p>	<p>6. If a subwoofer is installed in your vehicle, it is important to secure it firmly. We recommend that you attach the enclosure to the floor or chassis of the vehicle for safety. If the subwoofer is not properly secured, it could become a projectile in the event of an accident. This point is even more important if the subwoofer is installed in a hatchback, a station wagon, a utility vehicle or a van.</p>	<p>7. If cables or harnesses are provided, use them the proper way (like mentioned in this user manual) without replacing or modifying them. 8. If a fuse is included in the kit or harness, use only same rating one in case of replacement.</p>  <p>(CEI 60417-6044)</p>



The methods of installing and mounting loudspeakers to any surface (vehicle floor or chassis) depend on the conditions and standards of installation, refurbishment, safety and cabling in force and applicable to the surfaces and/or brackets involved. In addition, the products may vibrate and damage the brackets onto which they are mounted. For this reason, the installation operations must be performed by a qualified professional who is familiar with installation and safety standards. Focal does not provide any end-of-use warranty for a given bracket or installation, as installing the loudspeakers is the customer's sole responsibility. Focal is therefore not liable in any capacity whatsoever in the event of incident, accident and/or any other result or damage of any kind related to the installation of loudspeakers.

Conditions of warranty

All Focal loudspeakers are covered by warranty drawn up by the official Focal distributor in your country. Your distributor can provide all details concerning the conditions of warranty. Warranty cover extends at least to that granted by the legal warranty in force in the country where the original purchase invoice was issued.

**REGISTER YOUR
PRODUCT ONLINE**



[www.focal.com/
warranty](http://www.focal.com/warranty)

- FR** Enregistrez votre produit en ligne
- DE** Registrieren Sie Ihr Produkt online
- ES** Registre su producto en línea
- IT** Registra il tuo prodotto online
- PT** Possível registar um produto online
- NL** Registreer uw product online
- PL** Zarejestruj swój produkt online
- RU** Зарегистрируйте свой продукт онлайн
- ZH** 您可以在线注册产品
- KO** 당신의 제품을 온라인에서 등록하세요
- JP** 製品のオンライン登録をお願いします
- AR** يمكنك الآن تسجيل منتجك عبر الإنترنت



UK Aamp
CA 25B
GU35 9QE



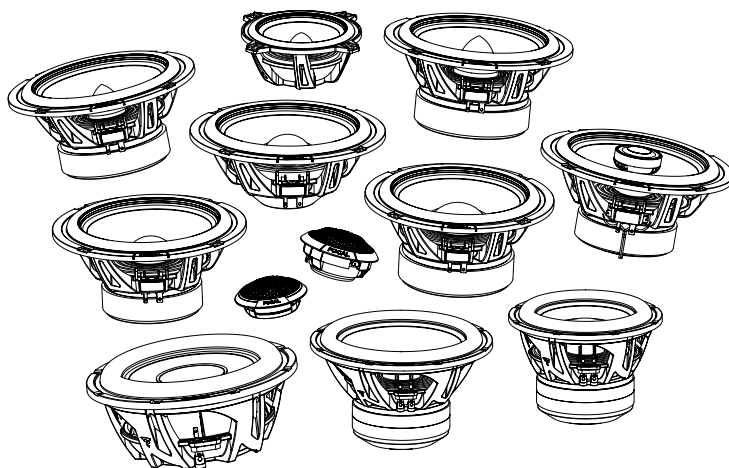
K2 POWER

ES 100 KE | EC 165 KE | ES 165 KE | ES 165 K2E

ES 165 KX2E | ES 165 KX3E | ES 165 K2S

SUB 25 KXS | SUB 30 KXE | SUB 25 KXE

Manuel d'utilisation / User Manual / Gebrauchsanleitung /
Manuale d'uso / Manual de uso / Manual de utilização /
Handleiding / Instrukcja obsługi / Руководство по
эксплуатации / 使用手册 / 사용 설명서 /
取扱説明書 / دليل المستخدم



K2 POWER

Manuel d'utilisation / User manual

3

ES 100 KE



A x 1



B x 2



C x 2



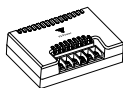
D x 2



E x 2



F x 2



G x 2



H x 8



I x 4



J x 8

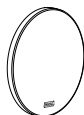
ES 165 KE



A x 1



B x 2



C x 2



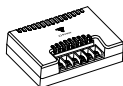
D x 2



E x 2



F x 2



G x 2



H x 8



I x 4



J x 8

ES 165 KX2E



A x 1



B x 2



C x 2



K x 2



N x 2



F x 2



L x 2



H x 8



I x 4



J x 8

K2 POWER

Manuel d'utilisation / User manual

4

ES 165 K2S



A x1



B x2



C x2



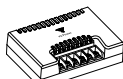
D x2



E x2



F x2



G x2



H x8



I x4



J x8

ES 165 K2E



A x1



B x2



C x2



D x2



E x2



F x2



L x2



H x8



I x4



J x8

ES 165 KX3E



A x1



B x2



B x2



C x2



C x2



K x2



N x2



F x2



L x2



H x8



I x12



J x16



M x2

K2 POWER

Manuel d'utilisation / User manual

5

EC 165 KE



A x 1



B x 2



C x 2



H x 8



I x 4



J x 8

SUB 25 KXS



A x 1



B x 1

SUB 25 KXE



A x 1



B x 1

SUB 30 KXE



A x 1



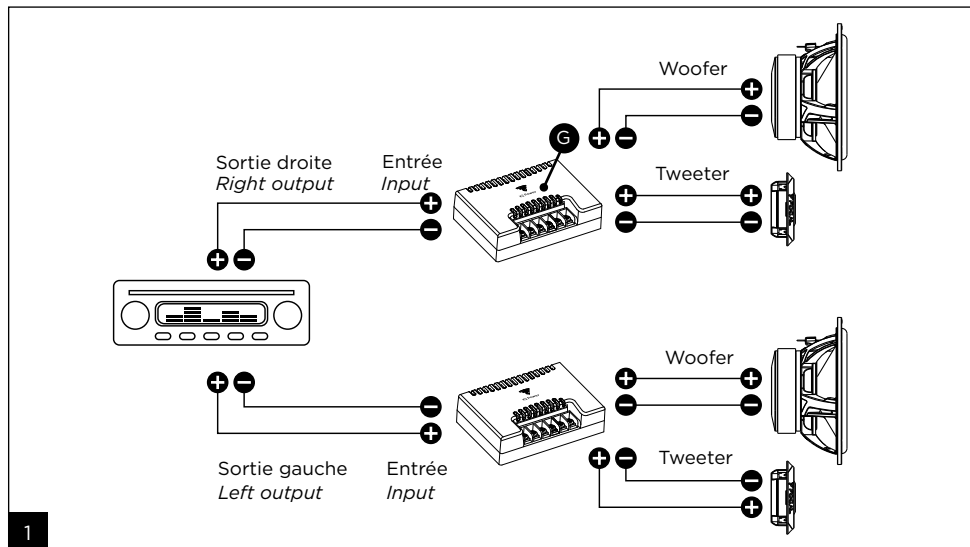
B x 1

K2 POWER

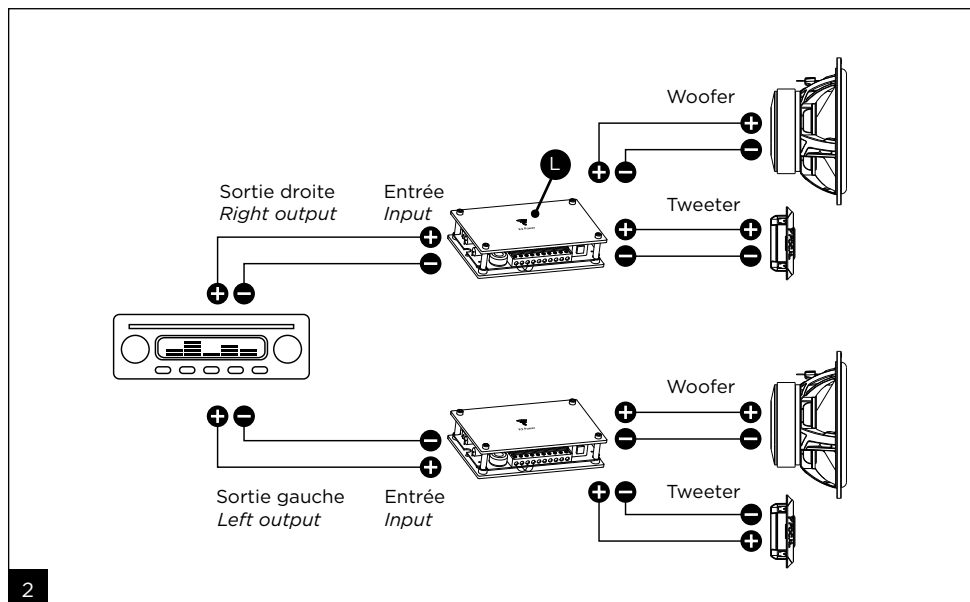
Manuel d'utilisation / User manual

6

ES 100 KE / ES 165 KE / ES 165 K2S



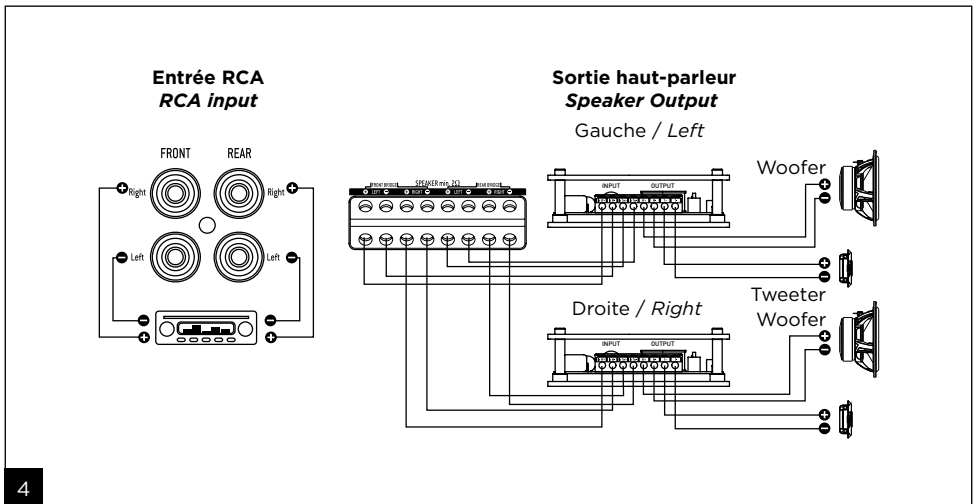
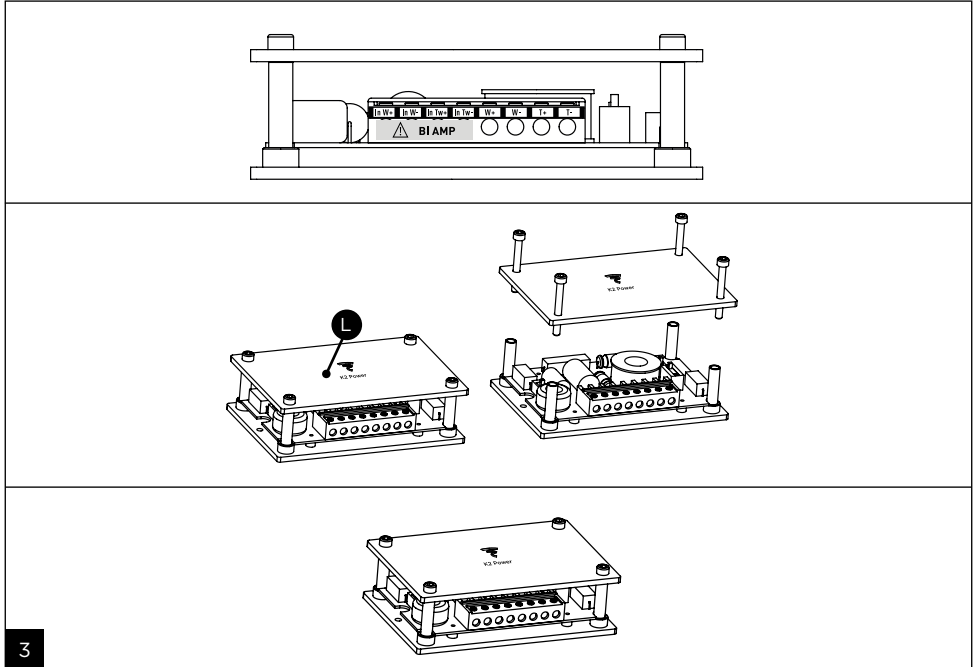
ES 165 KX2E / ES 165 KX3E / ES 165 K2E



K2 POWER

Manuel d'utilisation / User manual

ES 165 K2E

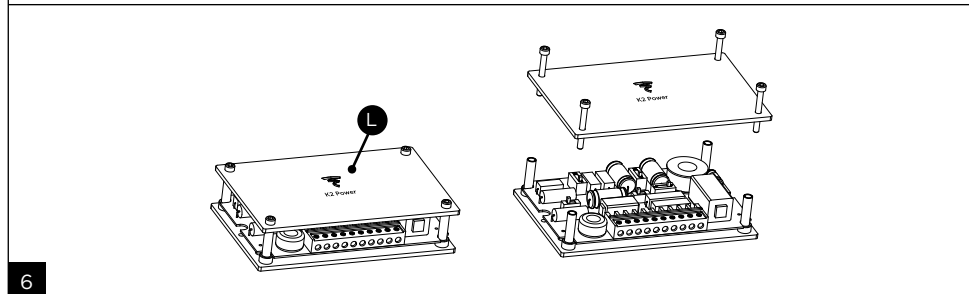
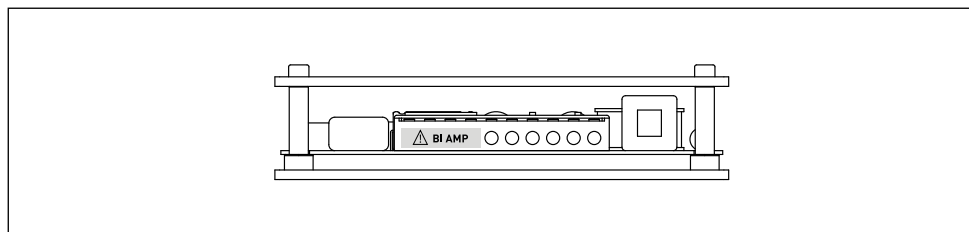
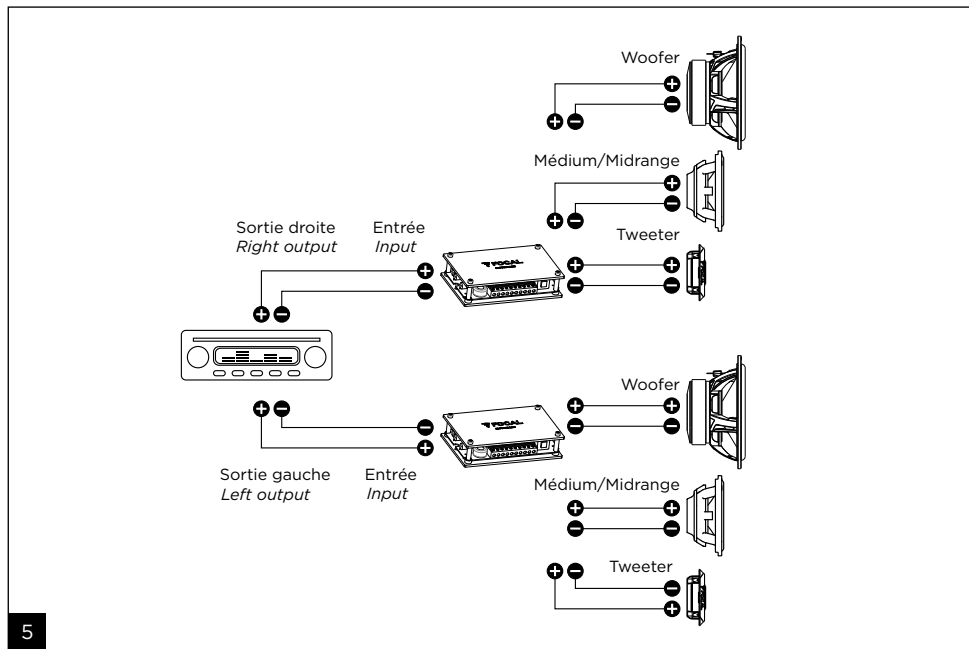


K2 POWER

Manuel d'utilisation / User manual

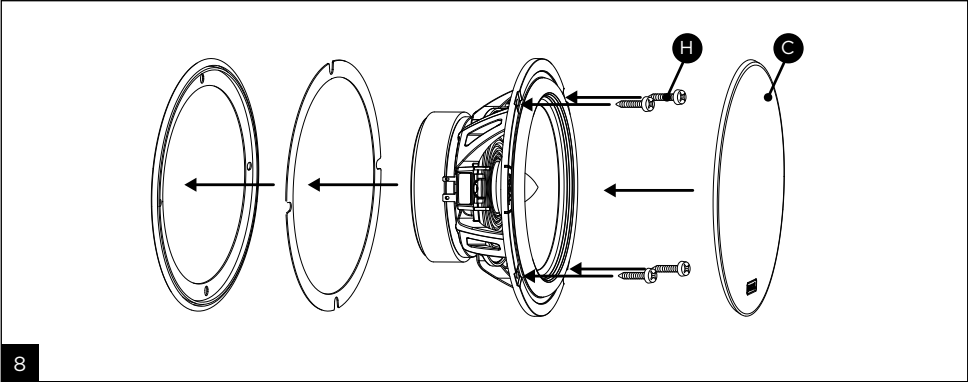
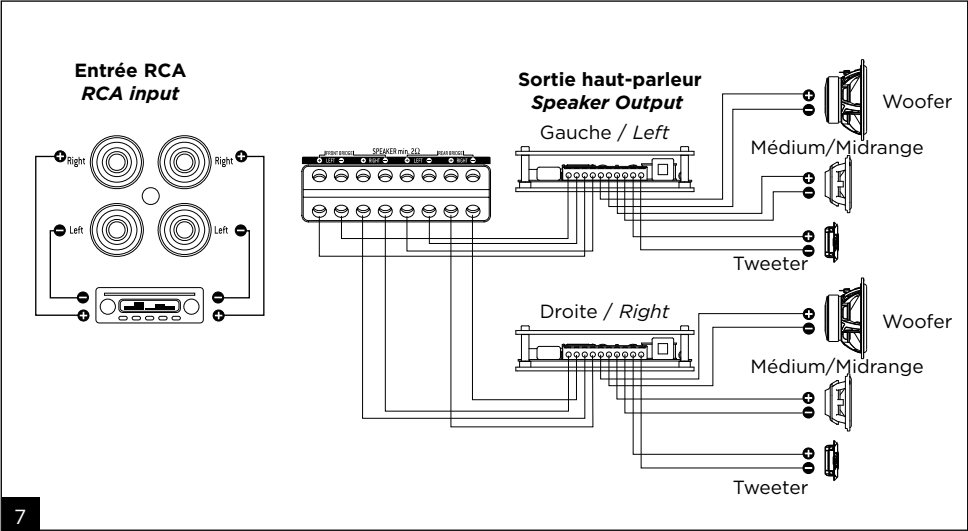
8

ES 165 KX3E



K2 POWER

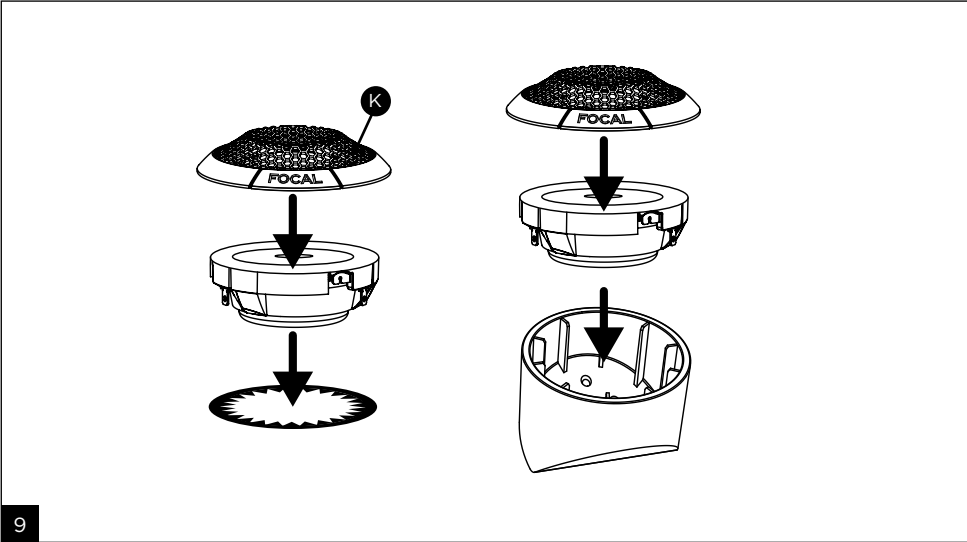
Manuel d'utilisation / User manual



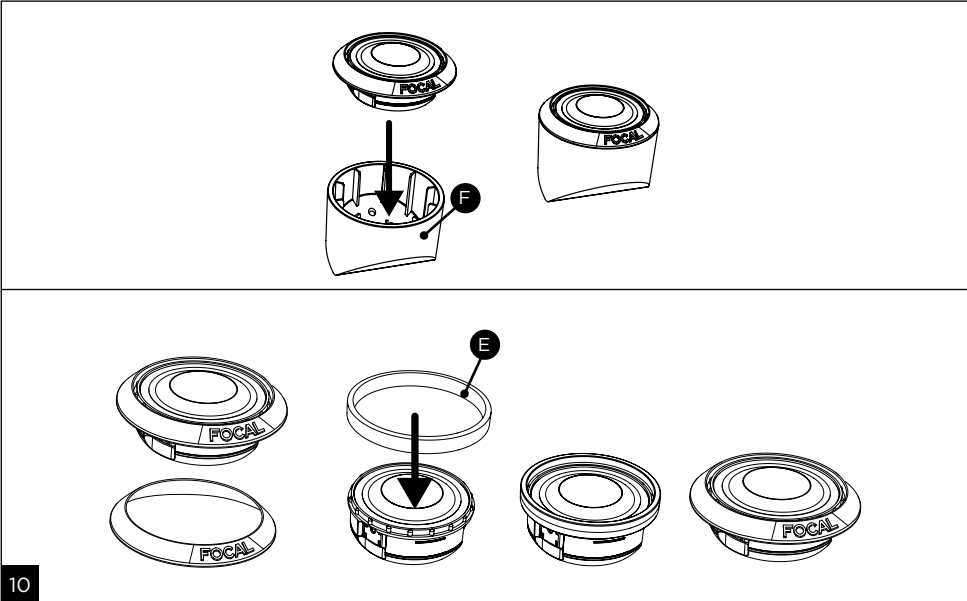
K2 POWER

Manuel d'utilisation / User manual

ES 165 KX2E / ES 165 KX3E | TWEETER FRAK



ES 100 KE / ES 165 KE / ES 165 K2E / ES 165 K2S | TWEETER TKME



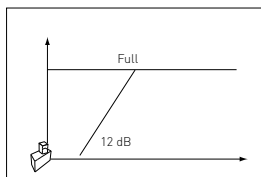
K2 POWER

Manuel d'utilisation / User manual

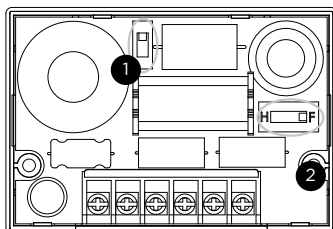
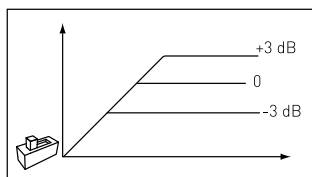
11

ES 100 KE

- 1** Réglage du woofers
(Passe-haut ou "Full")
*Woofer high pass /
full adjustment*



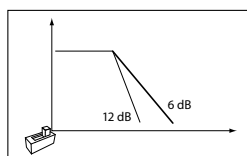
- 2** Réglage du niveau du tweeter
Tweeter level adjustment



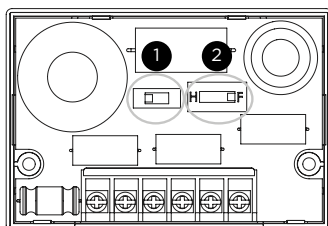
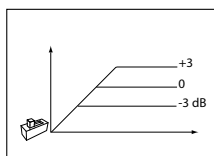
11

ES 165 KE

- 1** Pente de coupe du woofers
Woofer low pass slope



- 2** Réglage du niveau du tweeter
Tweeter level adjustment



12

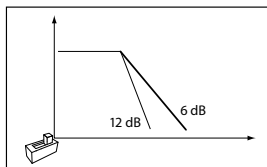
K2 POWER

Manuel d'utilisation / User manual

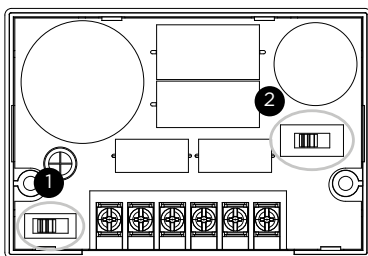
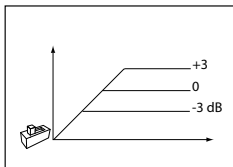
12

ES 165 K2S

- 1 **Pente de coupure du woofer**
Woofer low pass slope



- 2 **Réglage du niveau du tweeter**
Tweeter level adjustment



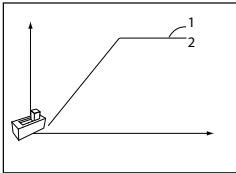
13

K2 POWER

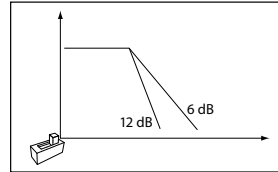
Manuel d'utilisation / User manual

ES 165 K2E

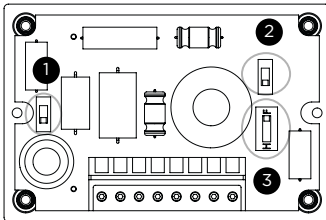
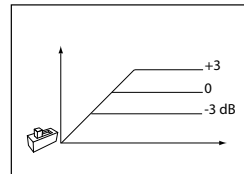
- 1** Réglage du tweeter
Tweeter adjustment
(1=High treble)



- 2** Pente de coupure du woofer
Woofer low pass slope

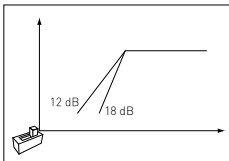


- 3** Pente de coupure du woofer
Woofer low pass slope

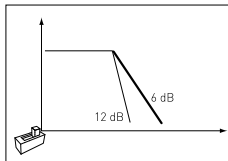


ES 165 KX2E

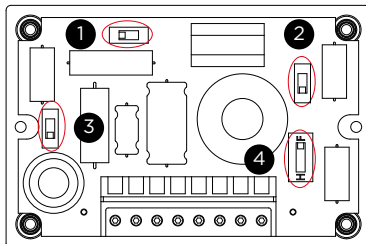
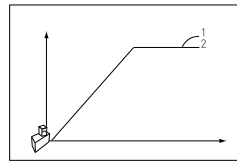
- 1** Pente de coupure du tweeter
Tweeter high pass slope



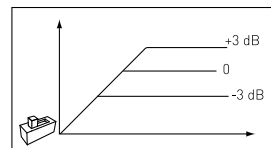
- 2** Pente de coupure du woofer
Woofer low pass slope



- 3** Réglage du tweeter
(1=Extrême aigu)
Tweeter adjustment
(1=High treble)



- 4** Réglage du niveau du tweeter
Tweeter level adjustment



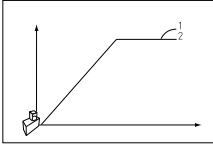
K2 POWER

Manuel d'utilisation / User manual

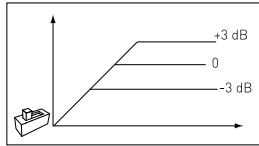
14

ES 165 KX3E

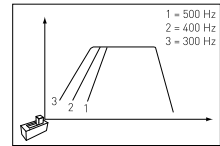
- 1** Réglage du tweeter
(1=Extrême aigu)
*Tweeter adjustment
(1=High treble)*



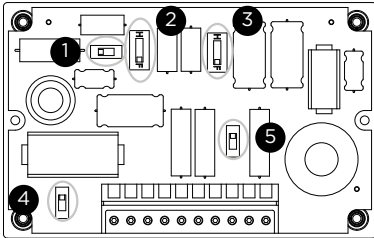
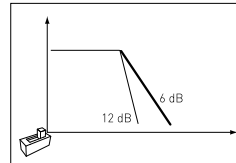
- 2** Réglage du niveau
tweeter
Tweeter level adjustment



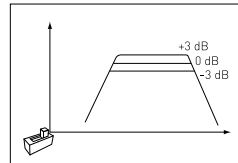
- 3** Réglage du passe-
haut médium
*Midrange high pass
adjustment*



- 4** Pente de coupure du woofer
Woofer low pass slope

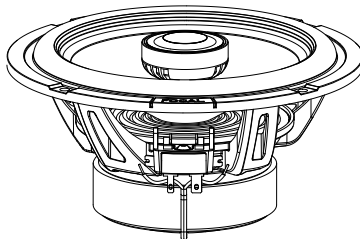


- 5** Réglage du niveau du médium
Midrange level adjustment



16

EC 165 KE

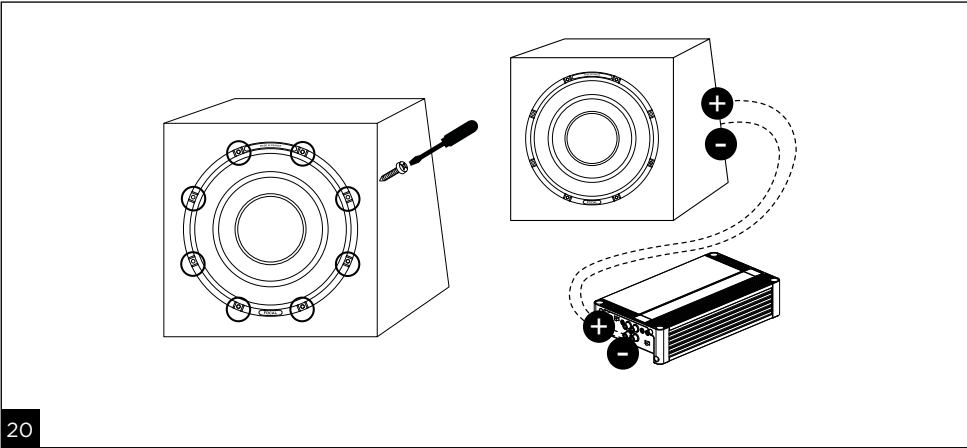
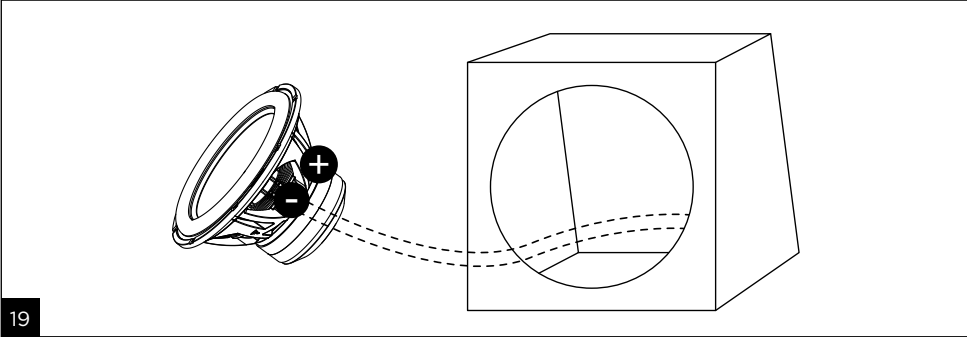
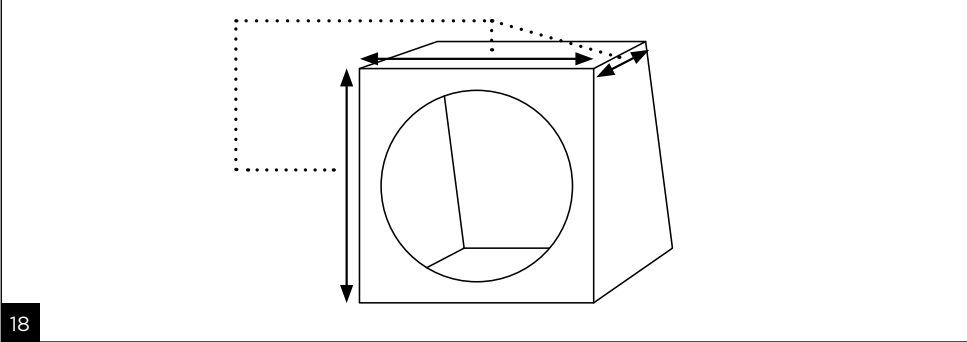


17

K2 POWER

Manuel d'utilisation / User manual

SUB 25 KXS / SUB 25 KXE / SUB 30 KXE



K2 POWER

Caractéristiques / Specifications

16

	ES 100 KE
Membrane	K2 Sandwich
Médium	100 mm
Puissance max.	120 W
Puissance nom.	60 W RMS
Sensibilité (2,83 V/1 m)	90 dB
Impédance	4 Ω
Réponse en fréquence	110 Hz - 22 kHz
Diamètre bobine	20 mm
Profondeur	39 mm
Moteur	Néodyme
Suspension	TMD®
Tweeter	Profil "M"
Filtre	12/12 dB (3,5 kHz)
Hauteur bobine	8,5 mm
Niveau tweeter ajustable	+3/0/-3 dB/oct

	ES 100 KE
Cone	K2 Sandwich
Midrange	4" (100mm)
Maximum power	120W
Nominal power	60W RMS
Sensitivity (2.83V/1m)	90dB
Impedance	4Ω
Frequency response	110Hz-22kHz
Voice-coil diameter	3/4" (20mm)
Depth	1½" (39mm)
Magnet	Neodymium
Suspension	TMD®
Tweeter	M-Shaped
Crossover	12/12dB (3.5kHz)
Voice-coil height	3/8" (8.5mm)
Adjustable tweeter level	+3/0/-3dB/oct

K2 POWER

Caractéristiques / Specifications

17

	ES 165 KE
Membrane	K2 Sandwich
Woofers	165 mm
Puissance max.	200 W
Puissance nom.	100 W RMS
Sensibilité (2,83 V/1 m)	91 dB
Impédance	4 Ω
Réponse en fréquence	60 Hz - 22 kHz
Diamètre bobine	32 mm
Profondeur	74 mm
Moteur	Ferrite
Suspension	TMD®
Tweeter	Profil "M"
Filtre	6 - 12/12 dB (3 kHz)
Hauteur bobine	15 mm
Niveau tweeter ajustable	+3/0/-3 dB/oct

	ES 165 KE
Cone	K2 Sandwich
Woofers	6 ¹ / ₂ " (165mm)
Maximum power	200W
Nominal power	100W RMS
Sensitivity (2.83V/1m)	91dB
Impedance	4Ω
Frequency response	60Hz-22kHz
Voice-coil diameter	1 ¹ / ₄ " (32mm)
Depth	3" (74mm)
Magnet	Ferrite
Suspension	TMD®
Tweeter	M-Shaped
Crossover	6-12/12dB (3kHz)
Voice-coil height	5/8" (15mm)
Adjustable tweeter level	+3/0/-3dB/oct

K2 POWER

Caractéristiques / Specifications

18

	ES 165 K2E
Membrane	K2 Sandwich
Woofers	165 mm
Puissance max.	200 W
Puissance nom.	100 W RMS
Sensibilité (2,83 V/1 m)	93 dB
Impédance	2 Ω
Réponse en fréquence	60 Hz - 22 kHz
Diamètre bobine	32 mm
Profondeur	74 mm
Moteur	Ferrite
Suspension	TMD®
Tweeter	Profil "M"
Filtre	6 - 12/12 dB (3,5 kHz)
Hauteur bobine	15 mm
Niveau tweeter ajustable	+3/0/-3 dB/oct

	ES 165 K2E
Cone	K2 Sandwich
Woofers	6 ¹ / ₂ " (165mm)
Maximum power	200W
Nominal power	100W RMS
Sensitivity (2.83V/1m)	93dB
Impedance	2Ω
Frequency response	60Hz - 22kHz
Voice-coil diameter	1 ¹ / ₄ " (32mm)
Depth	3" (74mm)
Magnet	Ferrite
Suspension	TMD®
Tweeter	M-Shaped
Crossover	6-12/12dB (3.5kHz)
Voice-coil height	5/8" (15mm)
Adjustable tweeter level	+3/0/-3dB/oct

K2 POWER

Caractéristiques / Specifications

19

	ES 165 KX3E (Woofer)	ES 165 KX3E (Médium)
Membrane	K2 Sandwich	K2 Sandwich
Diamètre	165 mm	100 mm
Puissance max.	240 W	100 W
Puissance nom.	120 W RMS	50 W RMS
Sensibilité (2,83 V/1 m)	93 dB	88 dB
Impédance	4 Ω	4 Ω
Réponse en fréquence	45 Hz - 32 kHz	45 Hz - 32 kHz
Diamètre bobine	40 mm	20 mm
Profondeur	76 mm	33,5 mm
Moteur	Ferrite	Ferrite
Suspension	TMD*	TMD*
Tweeter	Aluminium, profil "M"	Aluminium, profil "M"
Filtre	6 - 12/12/12 dB (3/4/500/3/5 kHz)	6 - 12/12/12 dB (3/4/500/3/ 5 kHz)
Niveau tweeter ajustable	+3/0/-3 dB/oct	+3/0/-3 dB/oct

	ES 165 KX3E (Woofer)	ES 165 KX3E (Midrange)
Cone	K2 Sandwich	K2 Sandwich
Diameter	6 ^{1/2} " (165mm)	4" (100mm)
Maximum power	240W	100W
Nominal power	120W RMS	50W RMS
Sensitivity (2.83V/1m)	93dB	88dB
Impedance	4Ω	4Ω
Frequency response	45Hz-32kHz	45Hz - 32kHz
Voice-coil diameter	2" (40mm)	3 ⁴ " (20mm)
Depth	3" (76mm)	1 ¹ / ₄ " (33.5mm)
Magnet	Ferrite	Ferrite
Suspension	TMD*	TMD*
Tweeter	Aluminium, M-Shaped	Aluminium, M-Shaped
Crossover	6-12/12/12dB (3/4/500/3/5kHz)	6-12/12/12dB (3/4/500/3/5kHz)
Adjustable tweeter level	+3/0/-3dB/oct	+3/0/-3dB/oct

K2 POWER

Caractéristiques / Specifications

20

	EC 165 KE
Membrane	K2 Sandwich
Woofers	165 mm
Puissance max.	160 W
Puissance nom.	80 W RMS
Sensibilité (2,83 V/1 m)	93 dB
Impédance	4 Ω
Réponse en fréquence	60 Hz - 22 kHz
Diamètre bobine	25 mm
Profondeur	74 mm
Moteur	Ferrite
Suspension	TMD®
Tweeter	Profil "M"
Filtre	Intégré
Hauteur bobine	15 mm

	EC 165 KE
Cone	K2 Sandwich
Woofers	6 ¹ / ₂ "(165mm)
Maximum power	160W
Nominal power	80W RMS
Sensitivity (2.83V/1m)	93dB
Impedance	4Ω
Frequency response	60Hz-22kHz
Voice-coil diameter	1" (25mm)
Depth	3" (74mm)
Magnet	Ferrite
Suspension	TMD®
Tweeter	M-Shaped
Crossover	Integrated
Voice-coil height	5/8" (15mm)

K2 POWER

Caractéristiques / Specifications

21

	ES 165 KX2E
Membrane	K2 Sandwich
Woofers	165 mm
Puissance max.	240 W
Puissance nom.	120 W RMS
Sensibilité (2,83 V/1 m)	92,5 dB
Impédance	2 Ω
Réponse en fréquence	55 Hz - 32 kHz
Diamètre bobine	40 mm
Profondeur	76 mm
Moteur	Ferrite
Suspension	TMD®
Tweeter	Profil "M"
Filtre	6 - 12/12 - 18 dB (3 kHz)
Hauteur bobine	16,5 mm
Niveau tweeter ajustable	+3/0/-3 dB/oct

	ES 165 KX2E
Cone	K2 Sandwich
Woofers	6 ¹ / ₂ " (165mm)
Maximum power	240W
Nominal power	120W RMS
Sensitivity (2.83V/1m)	92.5dB
Impedance	2Ω
Frequency response	55Hz-32kHz
Voice-coil diameter	2" (40mm)
Depth	3" (76mm)
Magnet	Ferrite
Suspension	TMD®
Tweeter	M-Shaped
Crossover	6-12/12-18dB (3kHz)
Voice-coil height	5/8" (16.5mm)
Adjustable tweeter level	+3/0/-3dB/oct

K2 POWER

Caractéristiques / Specifications

22

	ES 165 K2S
Membrane	K2 Sandwich
Woofers	165 mm
Puissance max.	140 W
Puissance nom.	70 W RMS
Sensibilité (2,83 V/1 m)	88 dB
Impédance	2 Ω
Réponse en fréquence	60 Hz - 22 kHz
Diamètre bobine	32,5 mm
Moteur	Ferrite
Suspension	TMD®
Tweeter	Profil "M"
Filtre	6 - 12/12 dB (3 kHz)
Hauteur bobine	13 mm
Niveau tweeter ajustable	+3/0/-3 dB/oct

	ES 165 K2S
Cone	K2 Sandwich
Woofers	6 ^{1/2"} (165mm)
Maximum power	140W
Nominal power	70W RMS
Sensitivity (2.83V/1m)	88dB
Impedance	2Ω
Frequency response	60Hz-22kHz
Voice-coil diameter	1 ^{1/4"} (32.5mm)
Magnet	Ferrite
Suspension	TMD®
Tweeter	M-Shaped
Crossover	6-12/12dB (3kHz)
Voice-coil height	1/2" (13mm)
Adjustable tweeter level	+3/0/-3dB/oct

K2 POWER

Caractéristiques / Specifications

23

	SUB 25 KXE
Membrane	K2 Sandwich
Subwoofer	250 mm
Puissance max.	1200 W
Puissance nom.	600 W RMS
Sensibilité (2,83 V/1 m)	84,5 dB
Impédance	2 x 4 Ω
Réponse en fréquence	25 Hz - 5 kHz
Diamètre bobine	65 mm
Profondeur	172 mm
Moteur	Ferrite
Hauteur bobine	55 mm

	SUB 25 KXE
Cone	K2 Sandwich
Subwoofer	10" (250mm)
Maximum power	1200W
Nominal power	600W RMS
Sensitivity (2.83V/1m)	84.5dB
Impedance	2x4 Ω
Frequency response	25Hz-5kHz
Voice-coil diameter	2 ^{1/2} " (65mm)
Depth	6 ^{3/4} " (172mm)
Magnet	Ferrite
Voice-coil height	2" (55mm)

K2 POWER

Caractéristiques / Specifications

24

	SUB 25 KXS
Membrane	K2 Sandwich
Subwoofer	250 mm
Puissance max.	700 W
Puissance nom.	350 W RMS
Sensibilité (2,83 V/1 m)	84,5 dB
Impédance	4 Ω
Réponse en fréquence	25 Hz - 5 kHz
Diamètre bobine	45 mm
Moteur	Neodymium
Hauteur bobine	32 mm

	SUB 25 KXS
Cone	K2 Sandwich
Subwoofer	10" (250mm)
Maximum power	700W
Nominal power	350W RMS
Sensitivity (2.83V/1m)	84.5dB
Impedance	4Ω
Frequency response	25Hz-5kHz
Voice-coil diameter	1 ³ / ₄ " (45mm)
Magnet	Neodymium
Voice-coil height	1 ¹ / ₄ " (32mm)

K2 POWER

Caractéristiques / Specifications



25

	SUB 30 KXE
Membrane	K2 Sandwich
Subwoofer	300 mm
Puissance max.	1600 W
Puissance nom.	800 W RMS
Sensibilité (2,83 V/1 m)	86,5 dB
Impédance	2 x 4 Ω
Réponse en fréquence	25 Hz - 5 kHz
Diamètre bobine	65 mm
Profondeur	172 mm
Moteur	Ferrite
Hauteur bobine	55 mm

	SUB 30 KXE
Cone	K2 Sandwich
Subwoofer	12" (300mm)
Maximum power	1600W
Nominal power	800W RMS
Sensitivity (2.83V/1m)	86.5dB
Impedance	2x4 Ω
Frequency response	25Hz-5kHz
Voice-coil diameter	2 ^{1/2} " (65mm)
Depth	6 ^{3/4} " (172mm)
Magnet	Ferrite
Voice-coil height	2" (55mm)

READ FIRST!

IMPORTANT SAFETY INSTRUCTIONS!

	<p>Warning symbol. This symbol is designed to warn the user of the presence of important instructions mentioned and relating to the handling, operation and maintenance of the device.</p>	
<ol style="list-style-type: none"> 1. Read these instructions. 2. Keep these instructions. 3. Heed all warnings. 4. Follow all the instructions. 5. Do not use this device near water. 6. After removing the product from its packaging, keep the packaging out of the reach of children. It poses a suffocation risk. 7. Never use chemical products or abrasive detergents to clean the device. Clean with a dry cloth only. 8. Do not obstruct ventilation openings, as this may alter the sound quality of the device. 9. During storage, the device should not be exposed to temperatures below 20°C or above 80°C. The operating temperature range for the device is between -10°C and 50°C. 10. If the product emits smoke or an unusual smell, immediately turn off the power supply (turn off the ignition and remove the key) and stop using it. Contact your retailer as soon as possible. 11. Do not turn on any function likely to distract you when driving. Functions or settings that require prolonged attention should only be used when the vehicle is at a complete stop. There is a risk of accident. 12. Do not listen to the loudspeakers at a high volume, so that you can hear external noise when driving. 13. If cords or connectors are supplied, use them properly as described in the user manual without replacing them or modifying them. 14. If the kit or connector includes a fuse, it must only be replaced by a fuse of the same rating. 	<ol style="list-style-type: none"> 15. Do not attempt to repair this device yourself. Opening the device may expose you to dangerous voltages or other risks. 16. All maintenance tasks should be performed by a qualified professional. Maintenance is required in case of any kind of damage to the device (spillages or objects inserted into the device, exposure to rain, if the device malfunctions or is dropped, etc.). 17. When replacement components are needed, make sure that the maintenance technician uses the components recommended by the manufacturer or components with exactly the same technical features as the original product. Using non-compliant components could cause fires, electric shocks or other risks. 18. After any maintenance or repair work on the device, ask the maintenance technician to test it to check that it is working safely. 19. If a subwoofer is installed in the vehicle, it is essential to secure it by attaching it solidly. We recommend attaching the subwoofer to the floor or chassis of the vehicle for safety. If it is not properly secured, it could become a projectile in the event of an accident. This is even more important if the subwoofer is installed in a hatchback, a station wagon, a utility vehicle or a van. 	<ol style="list-style-type: none"> 20. Some users who are not self-sufficient enough to use the product on their own without danger. In particular, children under 14 or people with some types of disabilities must be supervised and/or accompanied when using the device. 21. To avoid damaging your hearing, do not listen to loudspeakers at high volumes for long periods of time. Listening to loudspeakers at high volumes can cause damage to the user's ears and may lead to hearing problems (temporary or permanent deafness, buzzing in the ears, tinnitus, hyperacusis). Exposure to excessive volumes (over 85dB) for more than one hour can cause irreparable damage to your hearing. <div style="text-align: center; margin-top: 20px;">  </div>



The methods of installing and mounting loudspeakers to any surface (bracket, ground anchoring, etc.) depend on the conditions and standards of installation, refurbishment, safety and cabling in force and applicable to the surfaces and/or brackets involved. In addition, the products may vibrate and damage the brackets onto which they are mounted. For this reason, the installation operations must be performed by a qualified professional who is familiar with installation and safety standards. Focal does not provide any end-of-use warranty for a given bracket or installation, as installing the loudspeakers is the customer's sole responsibility. Focal is therefore not liable in any capacity whatsoever in the event of incident, accident and/or any other result or damage of any kind related to the installation of loudspeakers.

K2 POWER

User manual

30

EN

To facilitate the Focal-JMLab warranty,
it is now possible to register your product online at: www.focal.com/warranty



Thank you for purchasing a Focal product. Welcome to our High-Fidelity world. Our values are innovation, tradition, excellence and pleasure; our one and only aim is to bring you a sound that is rich, pure and true. To get the most out of your product, we recommend that you read the instructions in this booklet, then store it in a safe place to refer to in the future if needed.

Important recommendations

First of all, check the space available for fitting the speaker drivers (refer to the plans on the packaging) then proceed with the cutting required. If mounted in the factory location, check that there is sufficient space between the speaker driver and the protective grille.

- Keep the speaker drivers clear of any metal shavings and dust particles during the cutting process.
- Clean thoroughly before fitting the speaker drivers.
- Ensure that there are no objects positioned across the grille, as this could damage the speaker drivers.

Choosing an amplifier

It is not an excess of amplifier power that can damage your loudspeaker and drivers, but rather a lack of power. It is recommended to use an amplifier that delivers 20% more power than the system's total power to avoid a surge or damage to the products. Your dealer will be able to guide you, depending on your tastes and budget.

Ensure that you follow the recommendations for your amplifier in order to correctly connect each product from the K2 Power line.

Pre-installation wiring

You will only be able to begin fitting your products once you have connected them using the terminal block on the speaker drivers (fig. 1, 2). We recommend using a cable with a marker to ensure the polarity of the speaker drivers is respected (+/-).

Bi-amplification cabling

In a bi-amplified 2-way kit (4-channel amplifier), make sure you follow (fig. 3, 4). In a bi-amplified 3-way kit (4-channel amplifier), make sure you follow (fig. 5, 6, 7).

Installation

Please use suitable screws to avoid damaging your sub, your vehicle trim or any of its other components (fig. 8).

Loudspeaker positioning

The loudspeakers in the range have been designed to deliver the most faithful sound reproduction for any style of music. Nonetheless, a few simple rules should be followed to optimise their performance and to guarantee good tonal balance and a realistic sound image.

SUB 25 KXS / SUB 25 KXE / SUB 30 KXE

It is essential that the subwoofer is contained within an enclosure of suitable dimensions, to create an appropriate internal volume that will maximise the performance of the selected speaker driver (fig. 18). Please use suitable screws to avoid damaging your sub, the floor of your vehicle or any of its other components (fig. 20). Connect your subwoofer to the amplifier using the terminal block located on the side of the speaker driver (fig. 20). Ensure that the subwoofer is pointing towards an open space in order to achieve the best performance.

SPECIAL PRECAUTIONS

Maintenance

To look after the K2 Power speaker drivers, simply dust using a dry cloth. If the grille is marked, we recommend that you use just a damp cloth. Never use solvents, detergents, alcohol or corrosive products, scrapers or scouring utensils to clean the surface of the speaker drivers.

K2 POWER

User manual

Running-in period

The speaker drivers used are complex mechanical components that require a running-in period to operate at their best. This running-in period varies depending on the conditions in question and may take several weeks. To reduce this time, we recommend operating your speaker drivers for about 20 hours at a moderate volume. Once the speaker drivers' characteristics have fully stabilised, you will be able to enjoy the performance of your K2 Power products to the full.

Warranty terms and conditions

All Focal loudspeakers are covered by guarantee drawn up by the official Focal distributor in your country. Your distributor can provide all details concerning the conditions of guarantee. Guarantee cover extends at least to that granted by the legal guarantee in force in the country where the original purchase invoice was issued.



Élimination correcte de ce produit.

Ce marquage indique qu'au sein de l'UE, ce produit ne doit pas être jeté avec les autres déchets ménagers. Afin d'éviter tout risque pour l'environnement ou la santé humaine, le recycler de manière responsable pour encourager la réutilisation des ressources matérielles. Pour retourner votre appareil usagé, utiliser les systèmes de retour et de collecte disponibles ou contacter le revendeur auprès duquel vous avez acquis le produit. Ils pourront recycler le produit en toute sécurité.

FR



Correct elimination of this product.

This marking indicates that within the EU this product should not be disposed of with other household wastes. To prevent any risk to the environment or human health, please recycle them responsibly to encourage the reuse of material resources. To return your used device, please use the return and collection systems available, or contact the retailer where you purchased the product. They can recycle this product safely.

EN



Ordnungsgemäße Entsorgung des Produkts.

Diese Kennzeichnung weist darauf hin, dass dieses Produkt innerhalb der EU nicht mit anderen Haushaltsabfällen entsorgt werden darf.

Als Präventivmaßnahme für die Umwelt und die menschliche Gesundheit muss auf eine verantwortungsbewusste Wiederverwertung zur Förderung der Wiederverwendung von materiellen Ressourcen geachtet werden. Für die Rückgabe von Gebrauchtgeräten verwenden Sie bitte zur Verfügung stehende Rückgabe- und Recyclingsysteme oder wenden Sie sich an den Händler, bei dem Sie das Produkt erworben haben. Letzterer kann das Gerät sicher dem Wertstoffkreislauf zuführen.

DE



Eliminación correcta de este producto.

Este símbolo indica que este producto no debe eliminarse con el resto de residuos domésticos dentro de la UE. Con el objetivo de proteger el medioambiente y la salud pública, recicle de forma responsable para favorecer la reutilización de los recursos materiales. Para devolver su aparato usado, utilice los sistemas de devolución y recogida o póngase en contacto con el vendedor del producto. Este podrá proceder al reciclaje del producto de forma totalmente segura.

ES



Corretto smaltimento di questo prodotto.

Questa marcatura indica che, nell'UE, questo prodotto non deve essere smaltito insieme agli altri rifiuti domestici. A titolo preventivo per l'ambiente e la salute, deve essere riciclato in modo responsabile per favorire il riutilizzo delle risorse materiali. Per mandare indietro l'apparecchio usato, si prega di utilizzare il sistema di reso e raccolta o di contattare il rivenditore da cui è stato acquistato il prodotto, il quale potrà procedere a riciclare il prodotto in totale sicurezza.

IT



Eliminação correta deste produto.

Esta marca indica que, na UE, este produto não deve ser eliminado com outro lixo doméstico. Como medida de prevenção para o ambiente e para a saúde humana, deve ser reciclado de modo responsável, para promover a reutilização dos recursos materiais. Para devolver o seu dispositivo usado, recorra aos sistemas de devolução e recolha ou contacte o comerciante em que o produto foi adquirido. Este poderá proceder à reciclagem do produto com toda a segurança.

PT



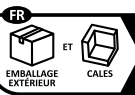
Prawidłowe usuwanie produktu.

To oznaczenie informuje, że produktu nie należy usuwać wraz z innymi odpadami z gospodarstwa domowego na terenie UE. W celu ochrony środowiska i zdrowia człowieka, należy w sposób odpowiedzialny prowadzić recykling i wspierać ponowne wykorzystywanie materiałów. Aby zwrócić swoje urządzenie, należy skorzystać z systemu zwrotu i odbioru prowadzonego przez sprzedawcę detalicznego, u którego produkt został nabyty. Sprzedawca będzie w stanie w sposób bezpieczny przeprowadzić recykling produktu.

PL



UK Aamp
CA 25B
GU35 9QE



Cet appareil
se recycle

REPRISE
À LA LIVRAISON



OU

À DÉPOSER
EN MAGASIN



OU

À DÉPOSER
EN DÉCHÈTERIE



Points de collecte sur www.quefairedemesdechets.fr



PAP

Raccolta differenziata.
Verifica le disposizioni
del tuo Comune.



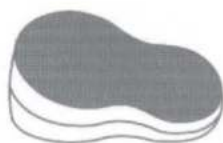
Scansionare il codice QR per
informazioni sullo smaltimento
degli imballaggi
Scan QR code for information
on packaging disposal

ERRATUM

Veillez noter que pour les kits ES 100 KE, ES 165 KE, ES 165 K2S, ES 165 K2E, la réelle forme de l'accessoire est la suivante :



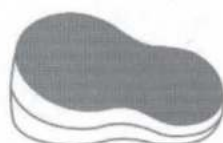
Nous vous informons que dans le kit ES 165 KX3E, un support médium/tweeter est inclus parmi les accessoires.



Please note that for the ES 100 KE, ES 165 KE, ES 165 K2S, ES 165 K2E kits, the actual shape of the accessory is as follows:



We inform you that in the ES 165 KX3E kit, a midrange/tweeter stand is included among the accessories.



ES 100 KE

Product Sheet

MADE IN
FRANCE

The fourth generation of K2 Power kits, with their emblematic aramid fibre cone, remain true to the precious and distinctive K2 DNA. The speaker drivers combine performance, power and style, whilst including patented innovations to deliver the very best. Designed, developed and manufactured in our workshops in France, the 2-way component kit ES 100 KE takes in-car listening to another level.



Key points

- Made in France in the Focal workshops
- K2 Cone
- Robust design and high quality materials
- Exceptional power handling
- Aluminium grilles included

Type	2-way component kit
Maximum power	120W
Nominal power	60W RMS
Sensitivity (2.83V/1m)	90dB
Frequency response	110Hz - 22kHz
Impedance	4Ω
Cone	K2 Sandwich
Midrange	4" (100mm)
Voice coil diameter	3/4" (20mm)
Depth	1 1/2" (39mm)
Magnet	Neodymium
Surround	TMD®
Tweeter	'M'-profile
Crossover	12/12dB (3.5kHz)

K2 POWER ES 100 KE

Technical Sheet

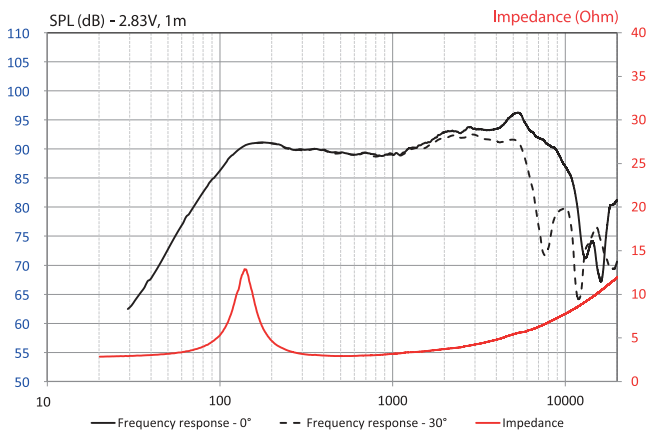
Midrange 4"



SPECIFICATIONS

Nominal power	60W
Maximum power	120W
Sensitivity (2.83V/1m)	90dB
Cone	K2 Sandwich
Nom. impedance	4Ω
Surround	Butyl
DC resistance	2.8Ω
VC diameter	20mm 3/4"
Former	Kapton
Layers	2
Wire	CCAW
Net weight	215g 0.47lbs

FREQUENCY RESPONSE/IMPEDANCE



PARAMETERS

Rdc	2.8Ω
Fs	140Hz
Mms	4.7g
Cms	0.26mm/N
Vas	1l
Qts	0.9
Ges	1.1
Qms	4.2
Bxl	3.3 N/A
Sd	54cm ²
SPL	87.5dB
Xmax	2.3mm

MECHANICAL DRAWING (MM)

