

IS FORD 690

Technical Sheet

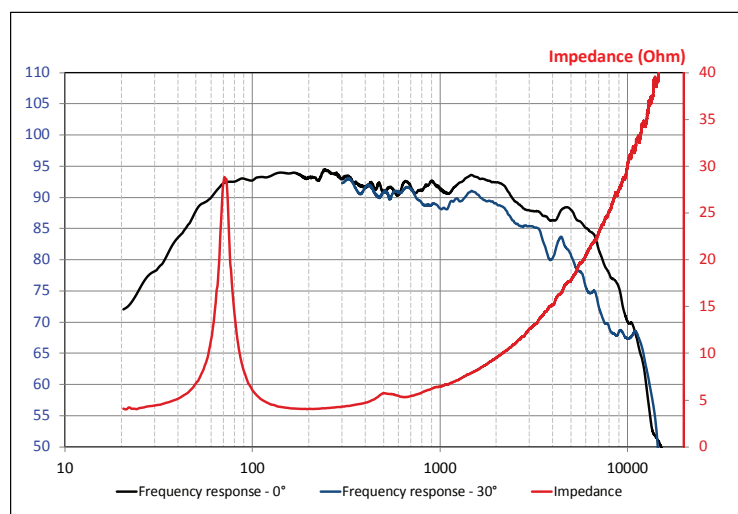
Woofer



SPECIFICATIONS

| | |
|----------------|-----------------|
| Nominal power | 75W |
| Maximum power | 150W |
| Sensitivity | 92.3dB |
| Nom. impedance | 4Ω |
| Cone | Black Polyglass |
| Surround | Butyl |
| DC resistance | 3.8Ω |
| VC diameter | 30mm 1 3/16" |
| Former | Kapton |
| Layers | 2 |
| Wire | Copper |
| Net weight | 1000g 2.2lbs |

FREQUENCY RESPONSE/IMPEDANCE

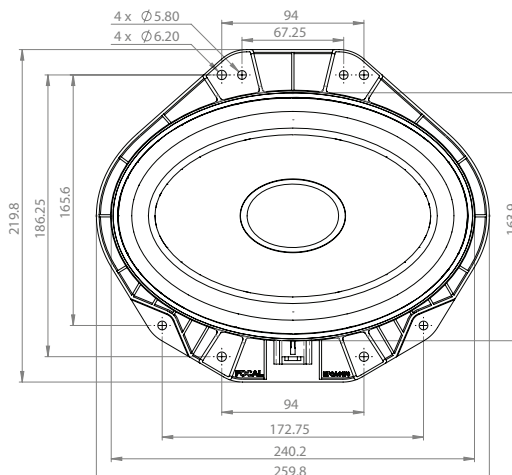
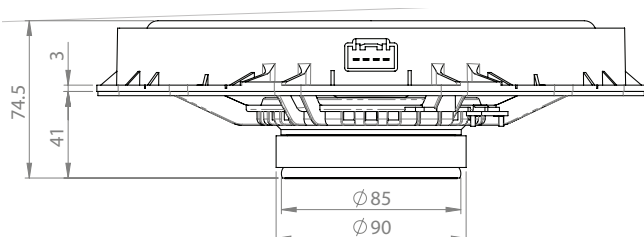


PARAMETERS

| | |
|------|--------------------|
| Rdc | 3.8 Ω |
| Fs | 71.8 Hz |
| Mms | 22.02 g |
| Cms | 0.223 mm/N |
| Vas | 15.26l |
| Qts | 1.06 |
| Qes | 1.21 |
| Qms | 8.66 |
| Bxl | 5.57N/A |
| Sd | 220cm ² |
| SPL | 89.3dB |
| Xmax | 3mm |

MECHANICAL DRAWING

Dimensions in mm



FOCAL[®] INSIDE

ORCA DESIGN & MFG. CORP | CAMARILLO, CA | ORCADESIGN.COM | FOCAL AMERICA | FOCAL-AMERICA.COM

FOCAL[®]
LISTEN BEYOND

TWEETER FORD

Technical Sheet

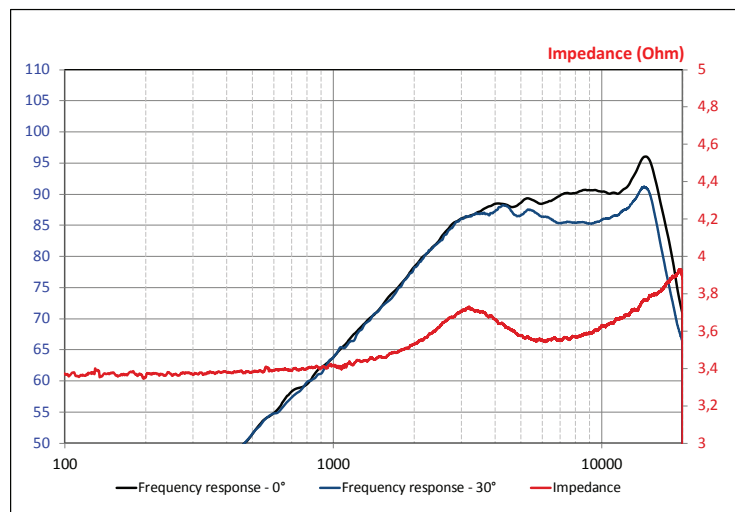
Tweeter



SPECIFICATIONS

| | |
|----------------|-------------|
| Nominal power | 15W |
| Maximum power | 100W |
| Sensitivity | 91dB |
| Nom. impedance | 4Ω |
| Cone | Alu |
| DC resistance | 3,4Ω |
| VC diameter | 20mm 13/16" |
| Former | Kapton |
| Layers | 2 |
| Wire | Alu |
| Net weight | 40g 0.09lbs |

FREQUENCY RESPONSE/IMPEDANCE

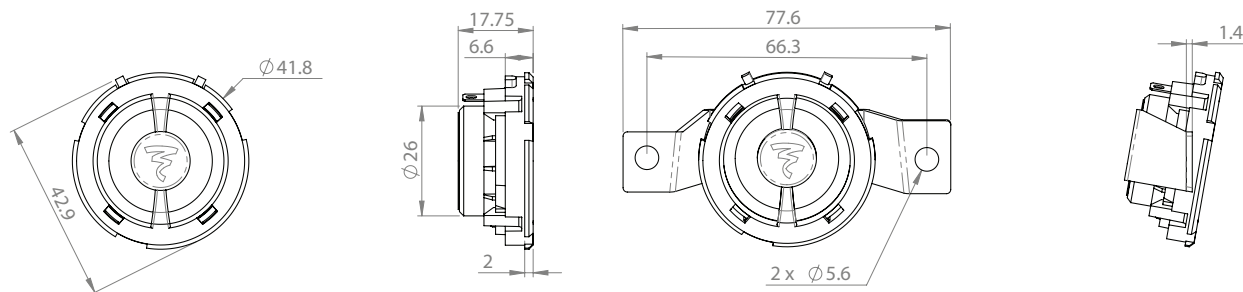


PARAMETERS

| | |
|-----|---------|
| Rdc | 3.5Ω |
| Fs | 3,200Hz |
| SPL | 88dB |

MECHANICAL DRAWING

Dimensions in mm



FOCAL[®] INSIDE

ORCA DESIGN & MFG. CORP | CAMARILLO, CA | ORCADESIGN.COM | FOCAL AMERICA | FOCAL-AMERICA.COM

FOCAL[®]
LISTEN BEYOND