

IS TOY 165

Technical Sheet

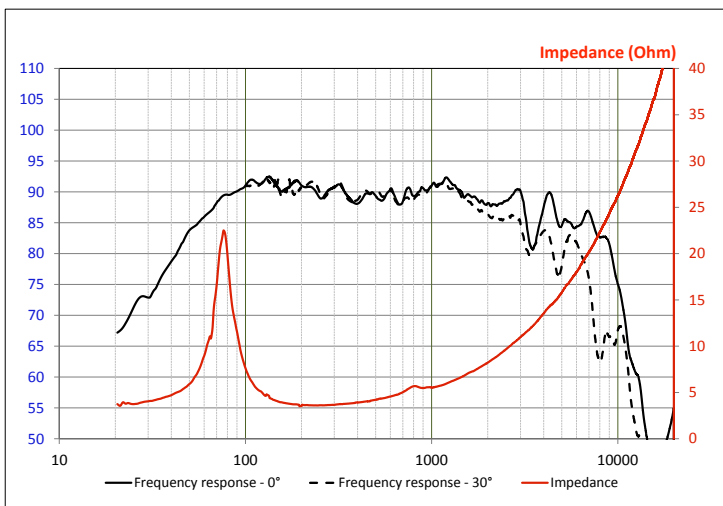
Woofer



SPECIFICATIONS

| | |
|----------------|--|
| Nominal power | 60 W |
| Maximum power | 120 W |
| Sensitivity | 91.7dB |
| Nom. impedance | 4 Ω |
| Cone | Black Polyglass |
| Surround | Butyl |
| DC resistance | 3.3 Ω |
| VC diameter | 25 mm |
| Former | Kapton 1" |
| Layers | 2 |
| Wire | Copper |
| Magnet d x h | 85x15mm 3 ³ / ₈ x 5 ¹ / ₁₆ " |
| Net weight | 950g 2.1lbs |

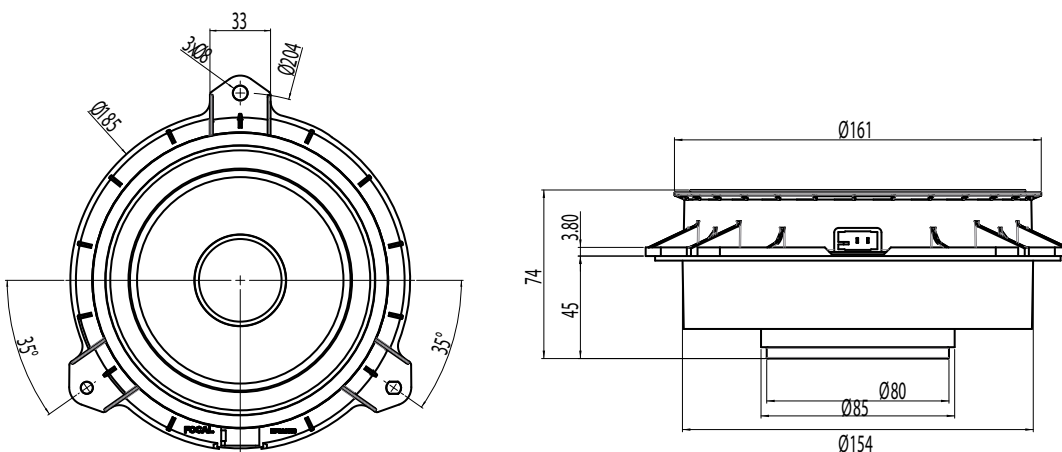
FREQUENCY RESPONSE/IMPEDANCE



PARAMETERS

| | |
|------|------------------------|
| Rdc | 3.3 Ω |
| Fs | 75 Hz |
| Mms | 13.7 g |
| Cms | 0.31 mm/N |
| Vas | 8.2L |
| Qts | 0,84 |
| Qes | 0,986 |
| Qms | 5,87 |
| Bxl | 4.73 N/A |
| Sd | 136.85 cm ² |
| SPL | 87.9dB |
| Xmax | 3mm |

MECHANICAL DRAWING



FOCAL® INSIDE

Focal® is a trademark of Focal-JMLab® - www.focal.com - SCAA190919/1

FOCAL®
LISTEN BEYOND

TWEETER TOY

Technical Sheet

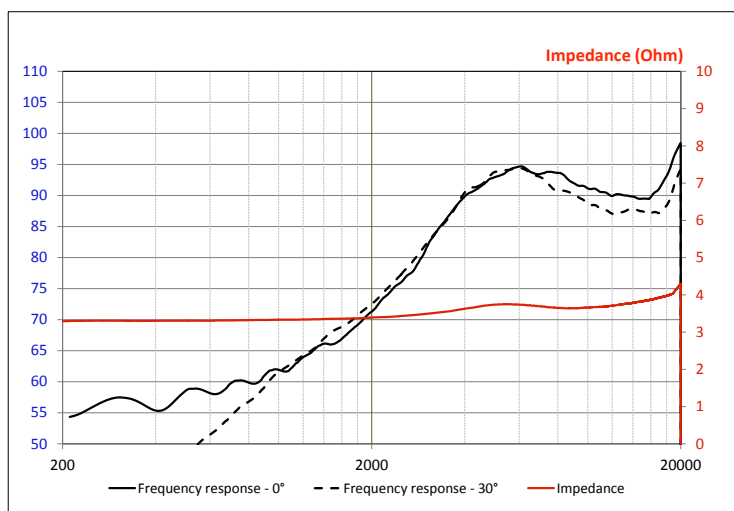
Tweeter



SPECIFICATIONS

| | |
|----------------|--|
| Nominal power | 15W |
| Maximum power | 100W |
| Sensitivity | 91dB |
| Nom. impedance | 4 Ω |
| Cone | Alu/Mg |
| Surround | Fabric |
| DC resistance | 3.5 Ω |
| Former | Kapton |
| Layers | 2 |
| Wire | Alu |
| Net weight | 40g 0.08lbs |

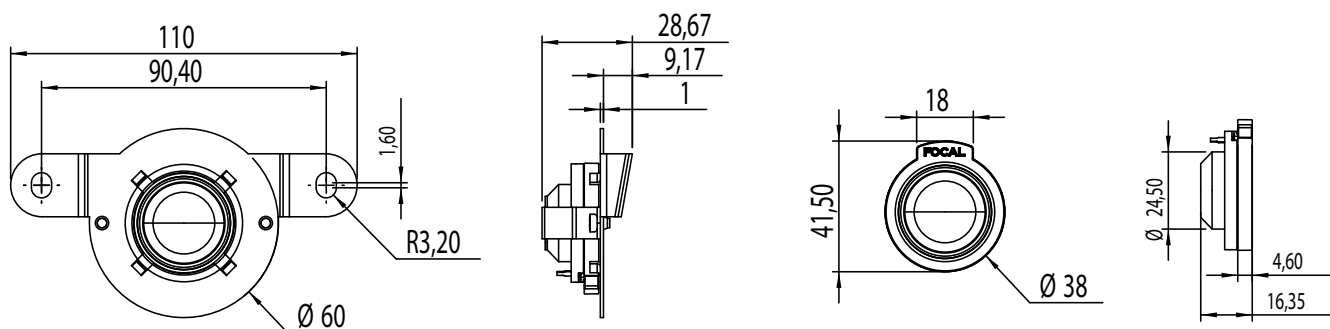
FREQUENCY RESPONSE/IMPEDANCE



PARAMETERS

| | |
|-----|---------|
| Rdc | 3.5 Ω |
| Fs | 3500 Hz |
| SPL | 87dB |

MECHANICAL DRAWING



FOCAL[®] INSIDE

Focal[®] is a trademark of Focal-JMLab[®] - www.focal.com - SCAA190919/1

FOCAL[®]
LISTEN BEYOND