

UNIVERSAL ISU165

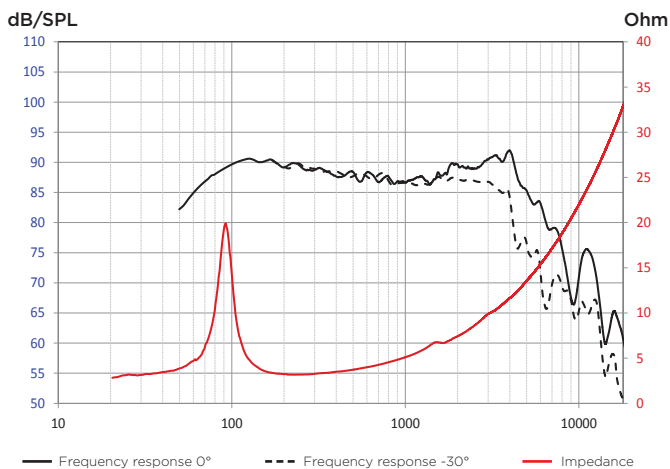
Technical Sheet

Woofer

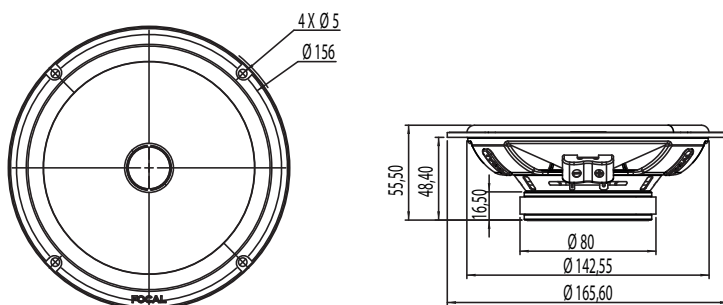


- Polyglass cone
- Reduced height

FREQUENCY RESPONSE/IMPEDANCE



MECHANICAL DRAWING



SPECIFICATIONS

| | | |
|------------------------|------------|--------|
| Nominal power | 70W RMS | |
| Maximum power | 140W | |
| Sensitivity (2,83V/1m) | 93dB | |
| Frequency response | 60Hz-21kHz | |
| Cone type | Polyglass | |
| Surround type | Butyl | |
| Nom. impedance | 4Ω | |
| VC diameter | 25mm | 1" |
| Net weight | 750g | 1.6lbs |

PARAMETERS

| | |
|-----|--------------------|
| Fs | 90Hz |
| Vas | 5.8l |
| Qts | 1 |
| Qes | 1.3 |
| Qms | 7 |
| Re | 2.9Ω |
| Sd | 137cm ² |
| Cms | 0.23mm/N |
| Mms | 14g |
| Bl | 4.3N/A |

Integration
INSTANT GRATIFICATION