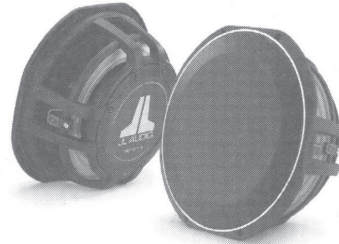


## OWNER'S MANUAL



### 12TW1-4 Subwoofer Driver

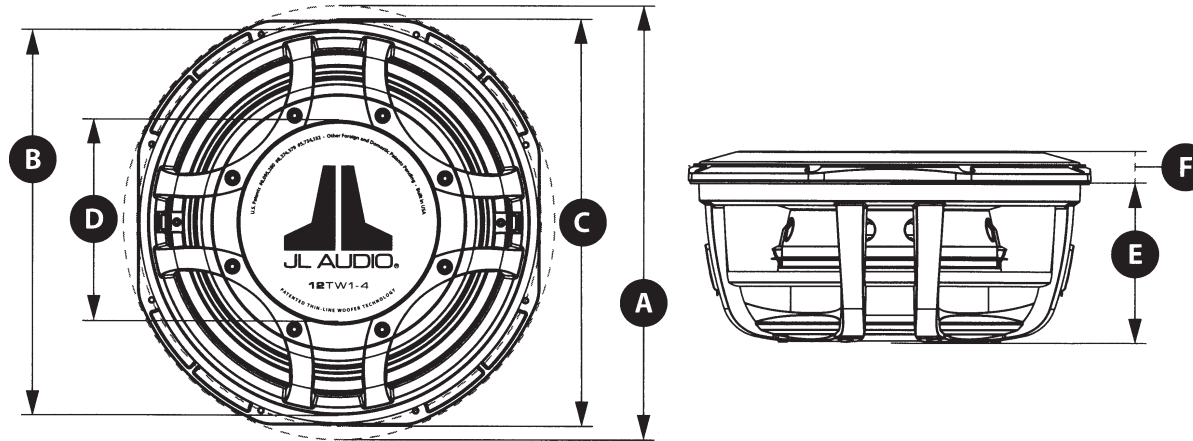
*Congratulations on your purchase of a JL Audio subwoofer component. Your JL Audio subwoofer is a precision loudspeaker which has been engineered to produce the highest quality sub-bass performance in your vehicle. Authorized JL Audio dealers have extensive technical information for many different applications of your new speaker. They also have the knowledge, skills and tools to build a high-quality enclosure that will maximize the performance of your speaker. We highly recommend that you have your enclosure built by an authorized JL Audio dealer.*

*Inside you will find specifications and two recommended enclosures for your speaker; one is a sealed enclosure, the other is a ported design. Both types of enclosures will give you excellent sound quality and low-frequency extension. The sealed enclosure is a better choice if space is extremely tight, but the ported enclosure will produce 3dB more output at the same power if you have the extra space to work with.*



# JL AUDIO 12TW1-4

U.S. PATENTS: #6,095,280 #8,374,379 #5,734,132 | Other U.S. & Foreign patents pending.



12TW1 SUBWOOFER PHYSICAL SPECIFICATIONS	
Nominal Diameter:	12.0 in. 300 mm
Overall Diameter (A):	12.375 in. 314 mm
Mounting Hole Diameter (B):	11.0625 in. 281 mm
Bolt Hole Circle (C):	11.7 in. 297 mm
Magnet Diameter (D):	5.71 in. 145 mm
Mounting Depth (E):	4.62 in. 117 mm
Frontal Grille Protrusion (F):	0.87 in. 22 mm
Net Weight:	16.5 lbs 7.5 kg
Driver Displacement:	0.072 ft <sup>3</sup> 2.04 litres

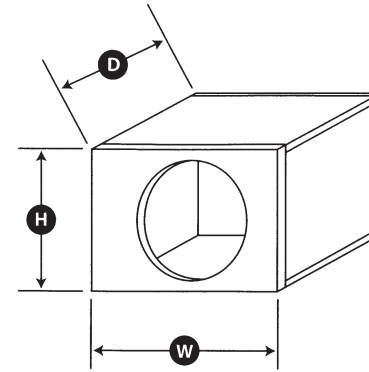
SUBWOOFER	12TW1-4
Free Air Resonance (Fs):	32.35 Hz
Electrical "Q" (Qes):	0.555
Mechanical "Q" (Qms):	11.066
Total Speaker "Q" (Qts):	0.529
Equivalent Compliance (Vas):	1.189 ft <sup>3</sup> 33.67 litres
One-way, Linear Excursion (Xmax)*:	0.40 in. 10 mm
Efficiency (1W/1m)**:	85.15 dB SPL
Effective Piston Area (Sd):	67.608 in <sup>2</sup> 0.0436 m <sup>2</sup>
DC Resistance (Re):	3.514 ohm
Nominal Impedance:	4 ohm
Power Handling (continuous):	300 W

\* Xmax specifications are derived via one-way voice coil overhang method with no correction factors applied.

\*\* Efficiency (1W/1m) is not an accurate indicator of a subwoofer's output capability and should not be used as a comparison to other subwoofers to determine which one is "louder"!

All specifications are subject to change without notice.

SUBWOOFER	RECOMMENDED SEALED ENCLOSURES				
	Volume (net int.)	External Dimensions (Width x Height x Depth)	F3 (Hz)	Fc (Hz)	Qtc
<b>12TW1-4</b>	0.65 ft <sup>3</sup> 18.41 litres	26.50 in. x 14.00 in. x 5.50 in. 673 mm x 356 mm x 140 mm	45.44	54.41	0.890



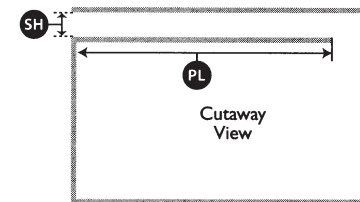
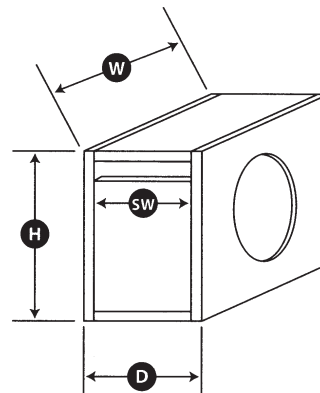
SUBWOOFER	RECOMMENDED PORTED ENCLOSURES				
	Volume (net int.)	Enclosure External Dimensions (Width x Height x Depth)	Slot Port Internal Dimensions (Slot Width x Slot Height x Effective Port Length)	Tune to: (Hz)	F3 (Hz)
<b>12TW1-4</b>	1.125 ft <sup>3</sup> 31.86 litres	31.75 in. x 16.00 in. x 7.00 806 mm x 406 mm x 178 mm	5.50 in. x 2.25 in. x 22.625 in. 140 mm x 57 mm x 575 mm	34	31.79

- The enclosure recommendations listed are **external** dimensions which assume the use of **3/4" (19mm)** thick material. If you are using **5/8" (16mm)** thick material, subtract **1/4" (6.5mm)** from each dimension. Do not use any material with a thickness of less than **5/8" (16mm)** as this may compromise the rigidity of the enclosure.

- All enclosure volumes listed are net internal volumes!** Box volume displacement, port displacement and brace displacement must be added to obtain the final gross internal volume. All enclosure dimensions listed have already taken this into account.

- When using **two** subwoofers in a common enclosure simply **double** the required volume and, in the case of a ported enclosure, use **two times** the recommended port(s).

- We recommend the use of this speaker in a **bi-amplified system** using high-quality satellite speakers and amplifiers. We do not recommend the use of this subwoofer with a **passive crossover (coil)**, as this type of device will adversely affect performance.



**Port Wall Length:**  
20.75 in. (527 mm)  
(End correction accounted for)

<b>!! CAUTION !!</b>	Prolonged exposure to sound pressure levels in excess of 100dB can cause permanent hearing loss. This high-performance speaker can exceed this level. Please exercise restraint in its operation in order to preserve your ability to enjoy its fidelity.
	When installing a subwoofer in your vehicle, it is extremely important to secure the enclosure firmly. We recommend bolting the enclosure through the metal of the floorpan or the frame of the vehicle with large diameter washers for reinforcement. If an enclosure is not firmly attached, it can become a projectile in a collision. This is particularly important in a hatchback, station wagon, sports utility vehicle, or van.





**Register this product  
online and receive a  
FREE GIFT!**

**Registering is simple...  
have the serial number handy  
and visit:**

**<http://register.jludio.com>**

If you can't locate your serial number or  
have questions about the registration process,  
please call **1-888-JLAUDIO**.