



# MediaMaster® MMA-1-HTML

OWNER'S MANUAL  
MANUEL D'UTILISATION  
MANUAL DEL PROPIETARIO  
BEDIENUNGSANLEITUNG  
MANUALE DEL PROPRIETARIO



## FCC COMPLIANCE STATEMENT

This device complies with Part 15 of the FCC Rules. Operation is subject to the following two conditions: (1) this device may not cause harmful interference, and (2) this device must not accept any interference received, including interference that may cause undesired operation. These limits are designed to provide reasonable protection against harmful interference in a residential installation.

This equipment generates, uses and can radiate radio frequency energy and, if not installed in accordance with the instructions, may cause harmful interference to radio communications. However, there is no guarantee that interference will not occur in a particular installation. If this equipment does cause harmful interference to radio or television reception, the user is encouraged to try to correct the interference by one or more of the following measures:

- Reorient or relocate the receiving antenna.
- Increase separation between the equipment and the receiver.
- Connect the equipment to an outlet on a circuit different from that to which the receiver is connected.
- Consult the dealer or an experienced radio/TV technician for help.

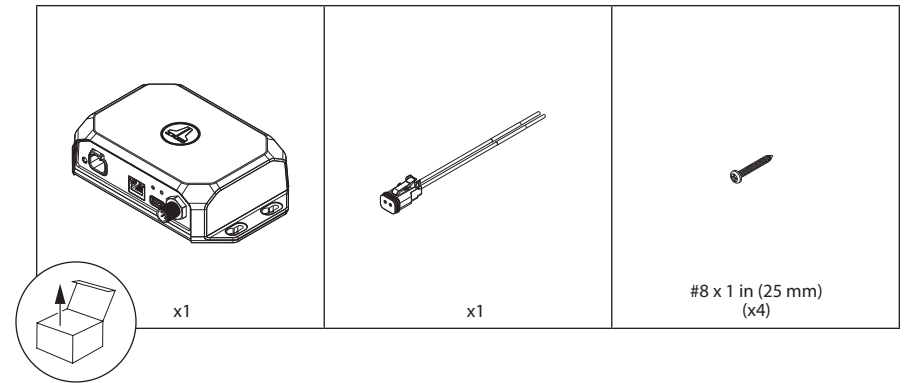
Any changes or modifications not expressly approved by the party responsible for compliance could void the user's authority to operate this equipment.

## SAFETY CONSIDERATIONS

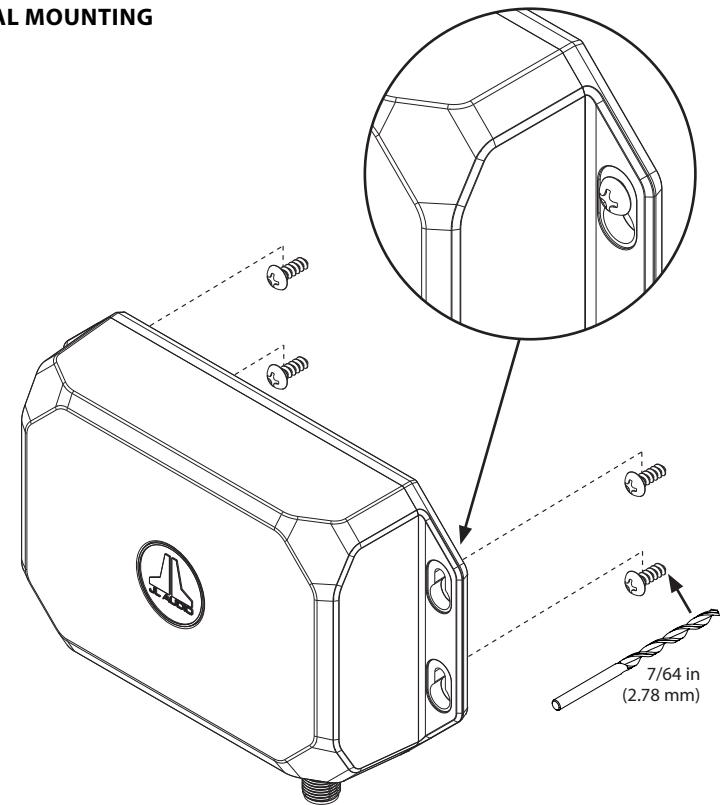
- Only use this product in vehicles with 12 volt, negative-ground electrical systems. This product is not certified or approved for use in aircraft.
- Mount this product securely to prevent damage or injury in severe conditions.
- Do not replace the power wire fuse with one of a different value. Never bypass the fuse.
- Listen to your audio system at levels appropriate for operating conditions and hearing safety.

## INSTALLATION CONSIDERATIONS

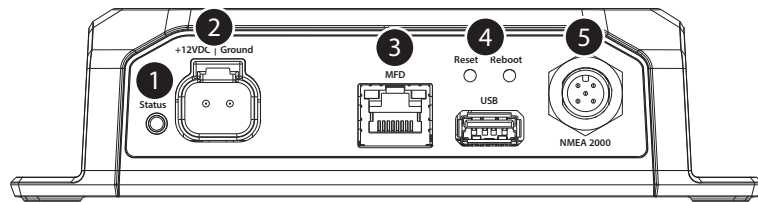
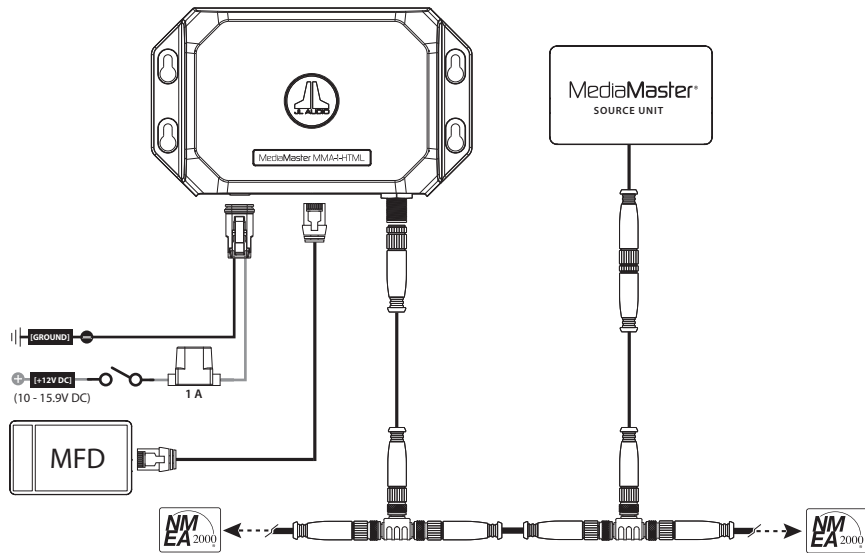
- Installation requires appropriate tools and safety equipment. Professional installation is recommended.
- This product is water-resistant. Do not submerge or subject to high-pressure water spray.
- Before installation, turn off the audio system and disconnect the battery system from the audio system.
- Install in a dry, well-ventilated location that does not interfere with your factory-installed systems. If a dry environment is not available, a location that is not exposed to heavy splashing may be used.
- Before cutting or drilling, check for potential obstacles behind mounting surfaces.
- Carefully route all system wiring away moving parts and sharp edges; secure with cable ties or wire clamps and use grommets and loom where appropriate to protect from sharp edges.



## GENERAL MOUNTING



## GENERAL CONNECTIONS



| Connection | Function  |
|------------|---|
| 1          | Status<br>LED communicates operating status<br>(Solid Red = Powered ON) (Off = Powered OFF)                   |
| 2          | +12VDC   Ground<br>Power connection via supplied harness  |
| 3          | MFD<br>MFD connection via ethernet cable (not included)   |
| 4          | Reset<br>Short press to restart (user settings will be retained)  |
|            | Reboot<br>Long press to wipe memory and revert to original, factory settings<br>(all settings will be erased) |
|            | USB<br>Used for firmware updates  |
| 5          | NMEA 2000<br>Vessel network connection using NMEA 2000® cables/connectors (not included)                      |

## GENERAL CONTROLS

Refer to your MFD manufacturer for specific user controls.

| Control   | Function   |
|-----------|--|
| POWER     | Power<br>• Short press to turn ON; Long press to turn OFF  |
| SOURCE    | Source<br>• Short press to access the <b>SOURCE: Select</b> menu   |
| SETTINGS  | Settings<br>• Short press to access the <b>Audio Zone: Tone &amp; Balance</b> settings<br>• Long press to access the <b>System Settings: Main Menu</b> |
| ZONE VOL  | Zone Volume<br>• Press to access zone volume/subwoofer controls  |
| VOLUME    | Volume<br>• Press to adjust volume levels  |
| MENU      | Menu<br>• Press to access source specific menus  |
| FAVORITES | Favorites<br>• Press to access stored presets  |

| Specifications            |  |
|---------------------------|--|
| Operating Voltage         | 14.4V DC (10V – 15.9V)   |
| Operating Temp Range      | -4 F to +149 F (-20 C to +65 C)  |
| Current Draw / Fuse Value | 150 mA (max) / 1 A   |
| NMEA 2000® LEN            | 1 (Micro-C connector)  |
| Compatible MFDs           | Simrad, B&G, Lowrance, Garmin<br>(refer to MFD manufacturer for device compatibility info) |
| Dimensions                | 6.77 in. x 3.98 in. x 1.73 in. (172 mm x 101 mm x 44 mm)                                   |

