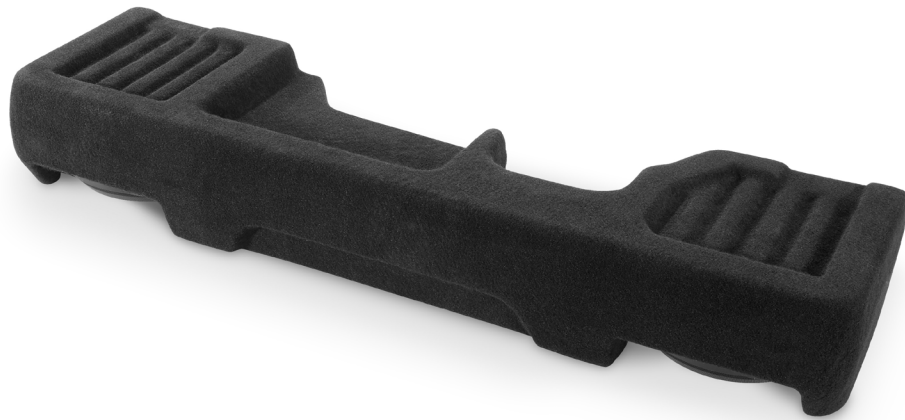




Ahead of the Curve®



## Stealthbox®

INSTALLATION GUIDE  
for the

**SB-D-5GRAMCCR/10TW3**

**SKU# 94677**

**2019-Up Dodge Ram 1500 Crew Cab**

**Enclosure Type:** Sealed

**Driver Type:** 10TW3-D8

**Nominal Impedance:** 2 ohms

**Continuous Power Handling:** 800 watts (RMS method)

SB-D-5GRAMCCR/10TW3 INSTR\_SKU# 011542

### ! IMPORTANT

If you choose to perform the installation yourself, it is absolutely vital that the Stealthbox® be properly mounted to the vehicle according to these instructions. Failure to mount the enclosure properly presents two problems:

- 1) The sub-bass performance will suffer due to the movement of the enclosure caused by the force exerted by the woofer(s).
- 2) A loose enclosure presents a serious safety hazard in the event of a collision or sudden deceleration.

INSTALLATION  
DIFFICULTY:

2 <sup>OUT</sup>  
OF 5

ESTIMATED TIME:  
2 HOURS

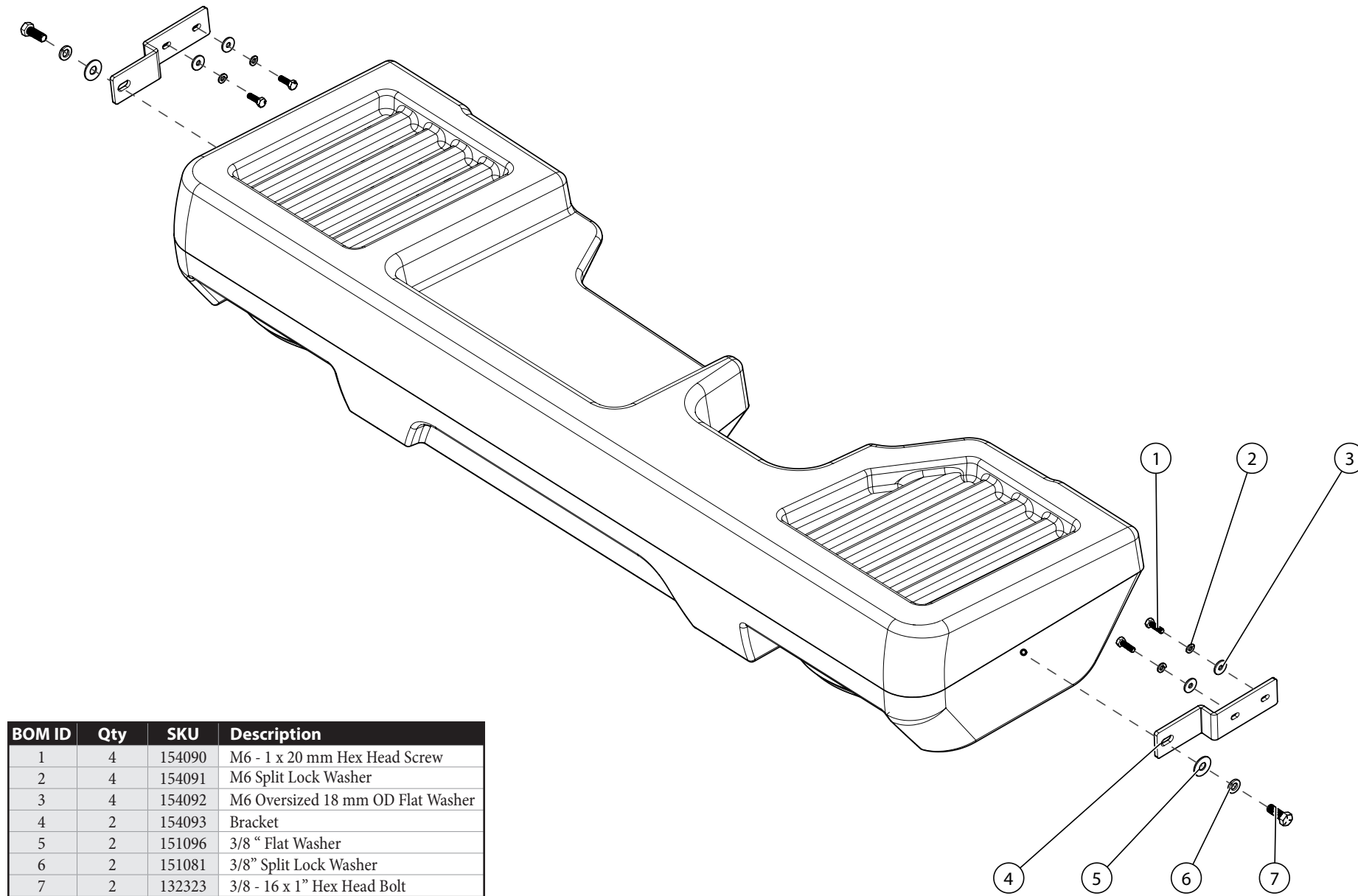


*Thank you for choosing a JL Audio Stealthbox® for your automotive sound system. With proper installation, your new vehicle-specific enclosed subwoofer system will deliver years of listening pleasure.*

*We strongly recommend that you have your new Stealthbox® installed by your authorized JL Audio dealer. The installation professionals employed by your dealer have the necessary tools and experience to disassemble and reassemble your vehicle properly. If you prefer to perform your own installation, please read this installation guide completely before beginning the process.*

Continued on Next Page

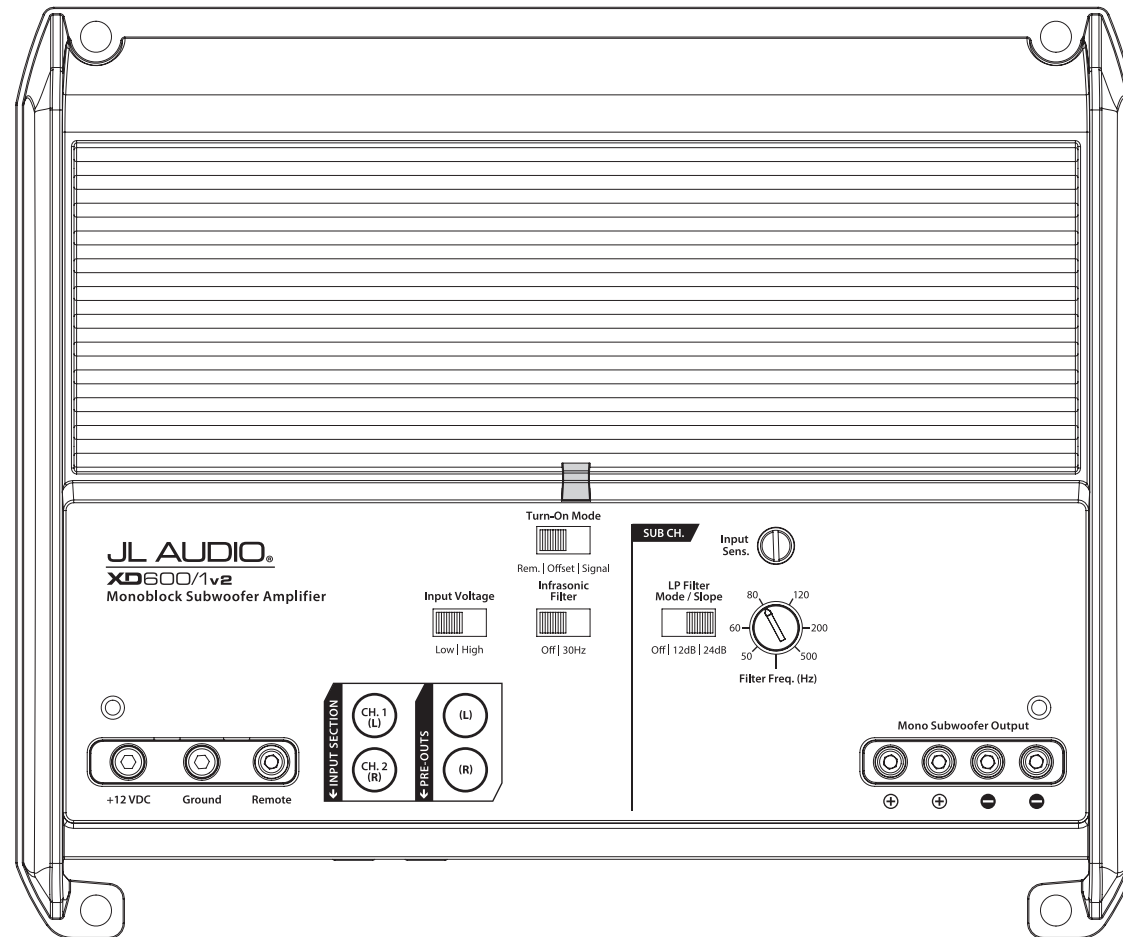
**INCLUDED HARDWARE**



BOM ID	Qty	SKU	Description
1	4	154090	M6 - 1 x 20 mm Hex Head Screw
2	4	154091	M6 Split Lock Washer
3	4	154092	M6 Oversized 18 mm OD Flat Washer
4	2	154093	Bracket
5	2	151096	3/8 " Flat Washer
6	2	151081	3/8" Split Lock Washer
7	2	132323	3/8 - 16 x 1" Hex Head Bolt

## POWER RECOMMENDATION

JL Audio recommends high quality amplifiers such as the JL Audio XD600/1v2. The diagram below shows the recommended crossover settings for the XD600/1v2. For a detailed description of the amplifier settings, consult the owner's manual for the amplifier. If another amplifier is being used, please reference this illustration and use similar settings on that amplifier.



## CONNECTIONS

Using quality power, signal, and speaker wire is essential in ensuring the performance of your Stealthbox®. JL Audio recommends using a 4 AWG power kit such as the XD-PCS4-1B for your Stealthbox® amplifier. Other kits are available should you be using more than one amplifier. Signal wire such as the JL Audio Premium Audio Interconnect Cables should be used to provide signal for both channels of the amplifier. JL Audio recommends using 12 AWG speaker wire for subwoofers such as our XC-BCS12-25.



**STEP 1**

Empty the rear seat area.



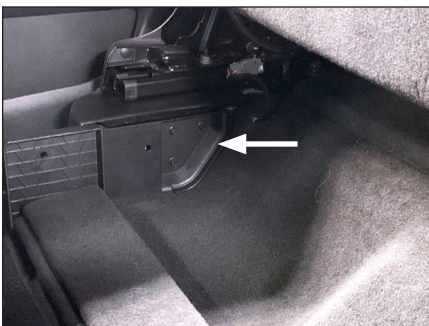
**STEP 2**

Fold the seat bottoms up.



**STEP 3**

Turn the release handle to lower the storage divider panel.



**STEP 4**

Using a 10mm socket and wrench, remove the three screws from the side of the storage divider bracket.

Repeat for the opposite side.



**STEP 5**

Carefully unclip and remove the storage divider.



**STEP 6**

Using an E12 socket and wrench, remove the two front seat bracket bolts from the driver's side rear seat.



**STEP 7**

Disconnect the indicated wiring harness under the seat. Using an 18mm socket and wrench, remove the two indicated rear seat bracket bolts from the driver's side rear seat.



**STEP 8**

Fold the rear seats back down, then open and lower the integrated center console.



**STEP 9**

Reach over the center console, behind rear seat back, and pull the indicated seat release loop to unhook the latch and release the seat. Carefully remove the seat from the vehicle.



**STEP 10**

Using a T50 Torx socket and wrench, remove the factory seat belt bolt from the floor behind the passenger side seat.



**STEP 11**

Repeat **Steps 6-9** for the passenger side rear seat, then remove the seat from the vehicle.



**STEP 12**

Carefully unclip and remove the driver's side rear door sill panel.



**STEP 13**

Carefully unclip and remove the outer seat bracket trim panel on the driver's side.

Repeat **Steps 12-13** for the opposite side.



**STEP 14**

Align the two slots on the Bracket with the factory holes on the inside of an outer seat support frame, as shown. Slide an M6 Split Lock Washer and an M6 Oversized 18mm Flat Washer over each of two M6 - 1 x 20mm Hex Head Screw, pass an assembly through each slot in the Bracket, thread into a factory hole, and hand tighten.

Repeat for the opposite side.



**STEP 15**

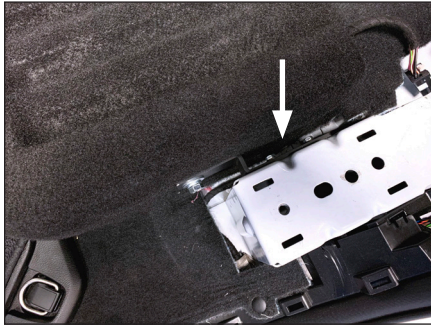
Carefully place the Stealthbox into the vehicle. Attach speaker cable to the terminal cup on the back of the enclosure, and position the enclosure between the two Brackets, as shown.



**STEP 16**

Align the forward slot in the Bracket with the threaded insert in the side of the enclosure. Slide a 3/8\" Split Lock Washer and a 3/8\" Flat Washer over each of two 3/8 - 16 x 1\" Hex Head Bolts, pass an assembly through the slot in the Bracket, into the threaded insert, and hand tighten.

Repeat for the opposite side.



**STEP 17**

Push the enclosure toward the rear of the vehicle, then fully tighten the two M6 - 1 x 20mm Hex Head Screws on each side of the enclosure.

Fully tighten the 3/8 - 16 x 1" Hex Head Bolt on each side of the enclosure.



**STEP 18**

Route the speaker cable as necessary.

Reinstall the outer seat bracket trim panels, rear door sill panels, rear seats, and seat belt.



**STEP 19**

Fold the seat bottoms back down.

**CONGRATULATIONS!**

You have completed the installation for this model! Enjoy your new Stealthbox®!



**MID/HIGH FREQUENCY DRIVER FITMENT**

A variety of JL Audio coaxial and component systems will fit in the factory speaker locations of your vehicle.

Location / OEM Speaker Size	Suggested JL Audio Speaker Models	
	Coaxial Models	Component Models
Front Dash / 3-1/2-inch	C2-350x	C7-350cm
Front Doors / 6 x 9-inch	C1-690x <sup>(1)</sup> , C1-690tx <sup>(1)</sup> , C2-690tx <sup>(1)</sup> , C2-650x <sup>(1)</sup> , C5-650x <sup>(1)</sup>	C1-690 <sup>(1)</sup> , C1-650 <sup>(1)</sup> , C2-650 <sup>(1)</sup> , C3-650 <sup>(1)</sup> , C5-650 <sup>(1)</sup> , C7-650cw <sup>(1,2)</sup>
Rear Doors / 6 x 9-inch	C1-690x <sup>(1)</sup> , C1-690tx <sup>(1)</sup> , C2-690tx <sup>(1)</sup> , C2-650x <sup>(1)</sup> , C5-650x <sup>(1)</sup>	C1-690 <sup>(1)</sup> , C1-650 <sup>(1)</sup> , C2-650 <sup>(1)</sup> , C3-650 <sup>(1)</sup> , C5-650 <sup>(1)</sup> , C7-650cw <sup>(1,2)</sup>

1 - Installation may require adaptor, 2 - Component woofer only

**JL AUDIO** | How we play.®    

(954) 443-1100

[www.jlaudio.com](http://www.jlaudio.com)

All specifications are subject to change without notice. "JL Audio" and "How we play" are registered trademarks of JL Audio, Inc. "Ahead of the Curve" and its respective logo are trademarks of JL Audio, Inc.

Printed in USA • ©2019 JL Audio, Inc. • For more detailed information please visit us online at [www.jlaudio.com](http://www.jlaudio.com).

JLA-SKU# 011542 • ver. 10.29.2019 • 10369 NORTH COMMERCE PARKWAY • MIRAMAR, FLORIDA • 33025 • USA



\*011542\*