



Ahead of the Curve®



Stealthbox®

INSTALLATION GUIDE
for the

SB-F-F150SPRCB/10TW3

SKU# 94659

2015-Up Ford F-150 SuperCab & 2017-Up SuperDuty SuperCab

Enclosure Type: Sealed

Driver Type: 10TW3-D4

Nominal Impedance: 2 ohms

Continuous Power Handling: 400 watts (RMS method)

SB-F-F150SPRCB/10TW3 INSTR_SKU# 011504

! IMPORTANT

If you choose to perform the installation yourself, it is absolutely vital that the Stealthbox® be properly mounted to the vehicle according to these instructions. Failure to mount the enclosure properly presents two problems:

- 1) The sub-bass performance will suffer due to the movement of the enclosure caused by the force exerted by the woofer(s).
- 2) A loose enclosure presents a serious safety hazard in the event of a collision or sudden deceleration.

**INSTALLATION
DIFFICULTY:**

2 OUT OF 5

**ESTIMATED TIME:
1 HOUR**

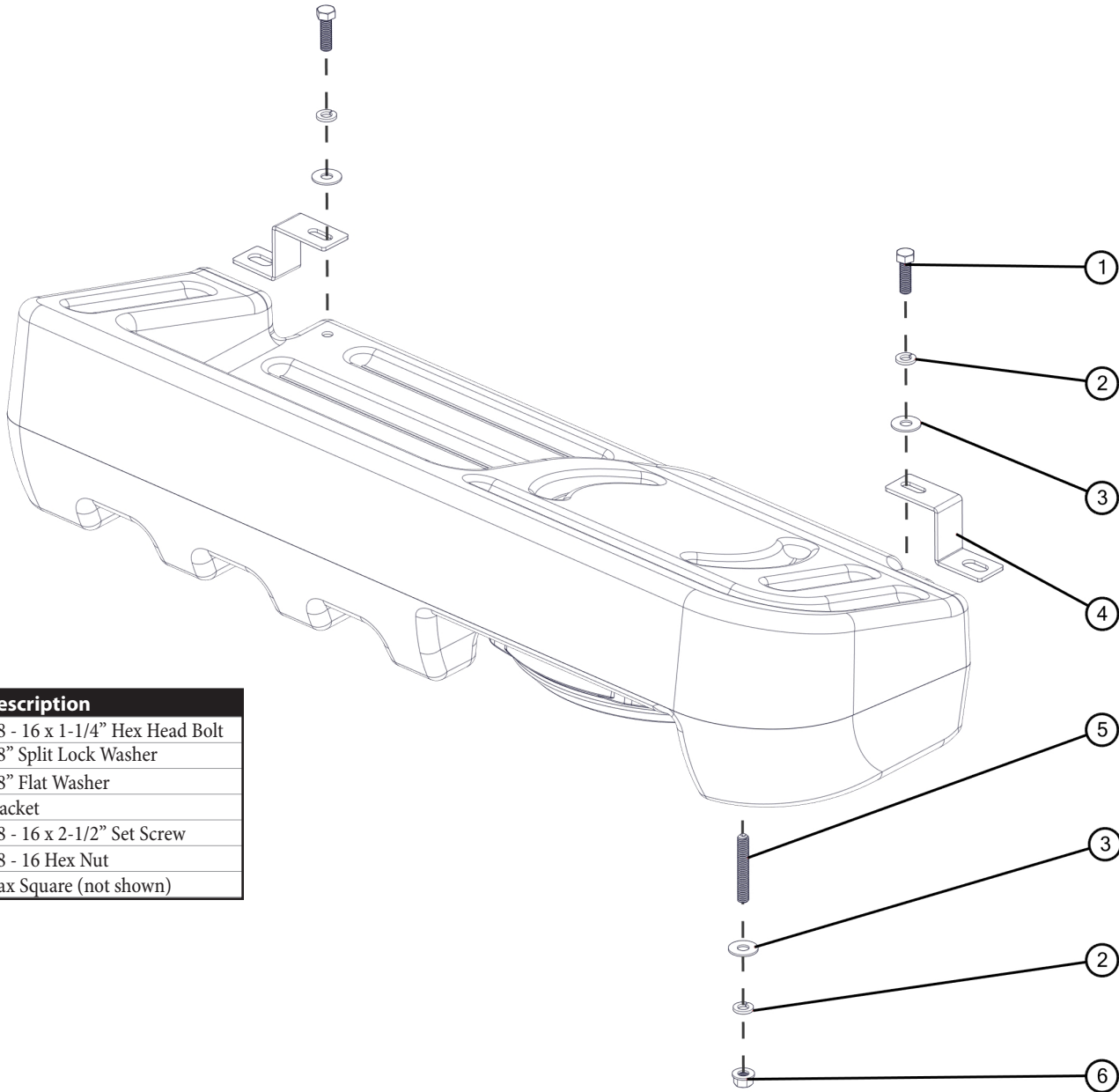


Thank you for choosing a JL Audio Stealthbox® for your automotive sound system. With proper installation, your new vehicle-specific enclosed subwoofer system will deliver years of listening pleasure.

We strongly recommend that you have your new Stealthbox® installed by your authorized JL Audio dealer. The installation professionals employed by your dealer have the necessary tools and experience to disassemble and reassemble your vehicle properly. If you prefer to perform your own installation, please read this installation guide completely before beginning the process.

Continued on Next Page

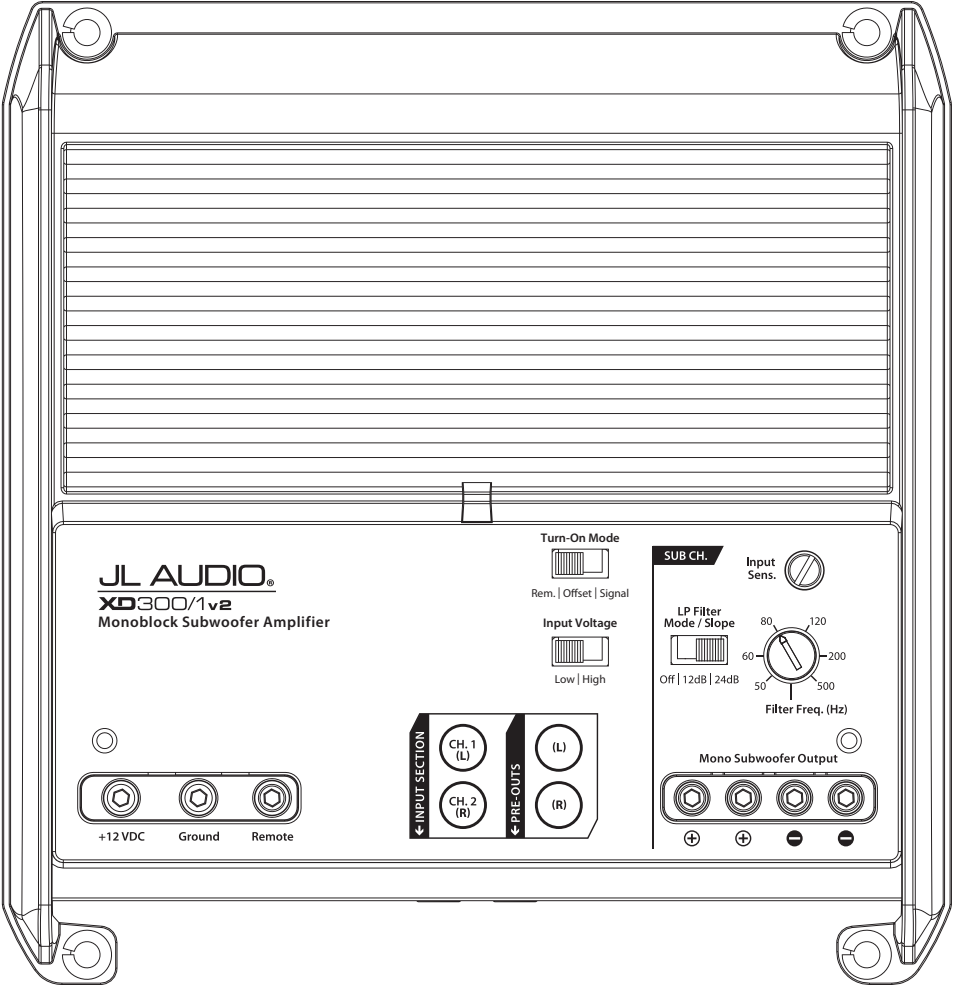
INCLUDED HARDWARE



BOM ID	Qty	SKU	Description
1	2	151079	3/8 - 16 x 1-1/4" Hex Head Bolt
2	3	151081	3/8" Split Lock Washer
3	3	151096	3/8" Flat Washer
4	2	153947	Bracket
5	1	153640	3/8 - 16 x 2-1/2" Set Screw
6	1	150196	3/8 - 16 Hex Nut
-	1	151345	Wax Square (not shown)

POWER RECOMMENDATION

JL Audio recommends high quality amplifiers such as the JL Audio XD300/1v2. The diagram below shows the recommended crossover settings for the XD300/1v2. For a detailed description of the amplifier settings, consult the owner’s manual for the amplifier. If another amplifier is being used, please reference this illustration and use similar settings on that amplifier.



CONNECTIONS

Using quality power, signal, and speaker wire is essential in ensuring the performance of your Stealthbox®. JL Audio recommends using a 4 AWG power kit such as the XD-PCS4-1B for your Stealthbox® amplifier. Other kits are available should you be using more than one amplifier. Signal wire such as the JL Audio Premium Audio Interconnect Cables should be used to provide signal for both channels of the amplifier. JL Audio recommends using 12AWG speaker wire for subwoofers such as our XC-BCS12-25.



STEP 1

Empty the rear seat area.



STEP 2

Fold the driver's side seat bottom up.

Remove the four screws that secure the divider panel to the seat brackets. These will not be reinstalled.



STEP 3

Remove the divider panel from the vehicle. It will not be reinstalled.



STEP 4

Remove the seat bolt from the driver's side rear seat.

Repeat for the opposite side.



STEP 5

Thread a 3/8 - 16 x 2-1/2" Set Screw into the threaded insert on the bottom of the Stealthbox®, leaving approximately 1/2" exposed.



STEP 6

Place the enclosure into position in the vehicle, centered between the seat brackets.



STEP 7

Align the wide slot in a Bracket with the hole in the seat bracket, and the other slot in the Bracket with the threaded insert in the top of the enclosure. Reinstall the factory seat bolt through the wide slot in the Bracket, and hand tighten.

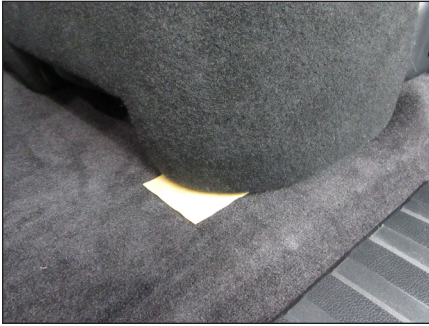
Repeat for the opposite side.



STEP 8

Pass a 3/8 - 16 x 1-1/4" Hex Bolt through the slot in the Bracket, into the threaded insert in the top of the enclosure, and hand tighten.

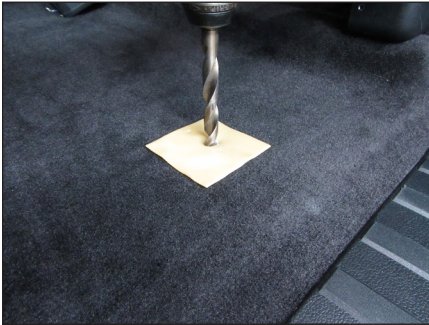
Repeat for the opposite side.



STEP 9

Lift up on the front edge of the enclosure, and attach the Wax Square to the floor directly beneath the 3/8 - 16 x 2-1/2" Set Screw, as shown.

Firmly press down on the enclosure to leave an impression of the 3/8 - 16 x 2-1/2" Set Screw in the Wax Square.



STEP 10

Unbolt the enclosure, and carefully remove it from the vehicle, leaving the Wax Square attached to the floor.

Using a 7/16" drill bit, carefully drill through the impression in the Wax Square and through the floor of the vehicle.



STEP 11

Back out the 3/8 - 16 x 2-1/2" Set Screw from the bottom of the enclosure, leaving approximately 1-1/2" exposed.



STEP 12

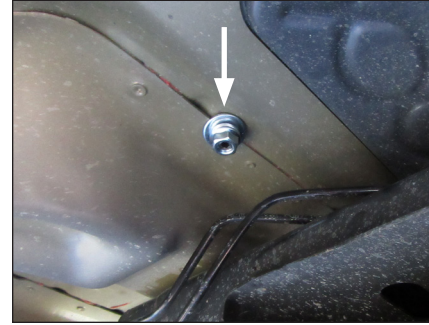
Connect speaker cable to the terminal cup on the bottom of the enclosure. Place the enclosure back into the vehicle, and route the cable as necessary.

Note the top of the Stealthbox® has a recess to mount an amplifier, if desired.



STEP 13

Put the Stealthbox® into position, allowing the 3/8 - 16 x 2-1/2" Set Screw to pass through the hole drilled in the floor.



STEP 14

From under the vehicle, slide a 3/8" Flat Washer, a 3/8" Split Lock Washer, and a 3/8 - 16 Hex Nut over the 3/8 - 16 x 2-1/2" Set Screw, and hand tighten.



STEP 15

Reinstall a Bracket using a factory seat bolt, and hand tighten.

Repeat for the opposite side.



STEP 16

Slide a 3/8" Split Lock Washer and a 3/8" Flat Washer over a 3/8 - 16 x 1-1/4 Hex Bolt, pass the assembly through the slot in the Bracket, into the threaded insert in the top of the enclosure, and hand tighten.

Repeat for the opposite side.



STEP 17
From under the vehicle, firmly tighten the 3/8 - 16 Hex Nut.

Firmly tighten the two factory seat bolts, then fully tighten the two 3/8 - 16 x 1-1/4" Hex Bolts.



STEP 18
Fold the seat bottom back down.

CONGRATULATIONS!

You have completed the installation for this model! Enjoy your new Stealthbox®!



MID/HIGH FREQUENCY DRIVER FITMENT

A variety of JL Audio coaxial and component systems will fit in the factory speaker locations of your vehicle.

Location / OEM Speaker Size	Suggested JL Audio Speaker Models	
	Coaxial Models	Component Models
Front Doors / 6 x 9-inch	C1-690x ⁽¹⁾ , C1-690tx ⁽¹⁾ , C2-690tx ⁽¹⁾ , C2-650x ⁽¹⁾ , C5-650x ⁽¹⁾	C1-690 ⁽¹⁾ , C1-650 ⁽¹⁾ , C2-650 ⁽¹⁾ , C3-650 ⁽¹⁾ , C5-650 ⁽¹⁾ , C7-650cw ^(1,2)
Rear Doors / 6.5-inch	C1-650x, C2-650x, C5-650x	C1-650, C2-650, C3-650, C5-650, C7-650cw ⁽²⁾

1 - Installation may require adaptor, 2 - Component woofer only

JL AUDIO | How we play.®    

(954) 443-1100

www.jlaudio.com

All specifications are subject to change without notice. "JL Audio" and "How we play" are registered trademarks of JL Audio, Inc. "Ahead of the Curve" and its respective logo are trademarks of JL Audio, Inc.
Printed in USA • ©2017 JL Audio, Inc. • For more detailed information please visit us online at www.jlaudio.com.



011504