



Head of the Curve®



Stealthbox®

INSTALLATION GUIDE
for the

SB-GM-SLVD4/10TW3

SKU# 94676

2019-Up Chevrolet Silverado / GMC Sierra Double Cab

Enclosure Type: Sealed

Driver Type: 10TW3-D8

Nominal Impedance: 2 ohms

Continuous Power Handling: 800 watts (RMS method)

SB-GM-SLVD4/10TW3 INSTR_SKU# 011537

! IMPORTANT

If you choose to perform the installation yourself, it is absolutely vital that the Stealthbox® be properly mounted to the vehicle according to these instructions. Failure to mount the enclosure properly presents two problems:

- 1) The sub-bass performance will suffer due to the movement of the enclosure caused by the force exerted by the woofer(s).
- 2) A loose enclosure presents a serious safety hazard in the event of a collision or sudden deceleration.

INSTALLATION
DIFFICULTY:

1 OUT OF 5

ESTIMATED TIME:
1 HOUR

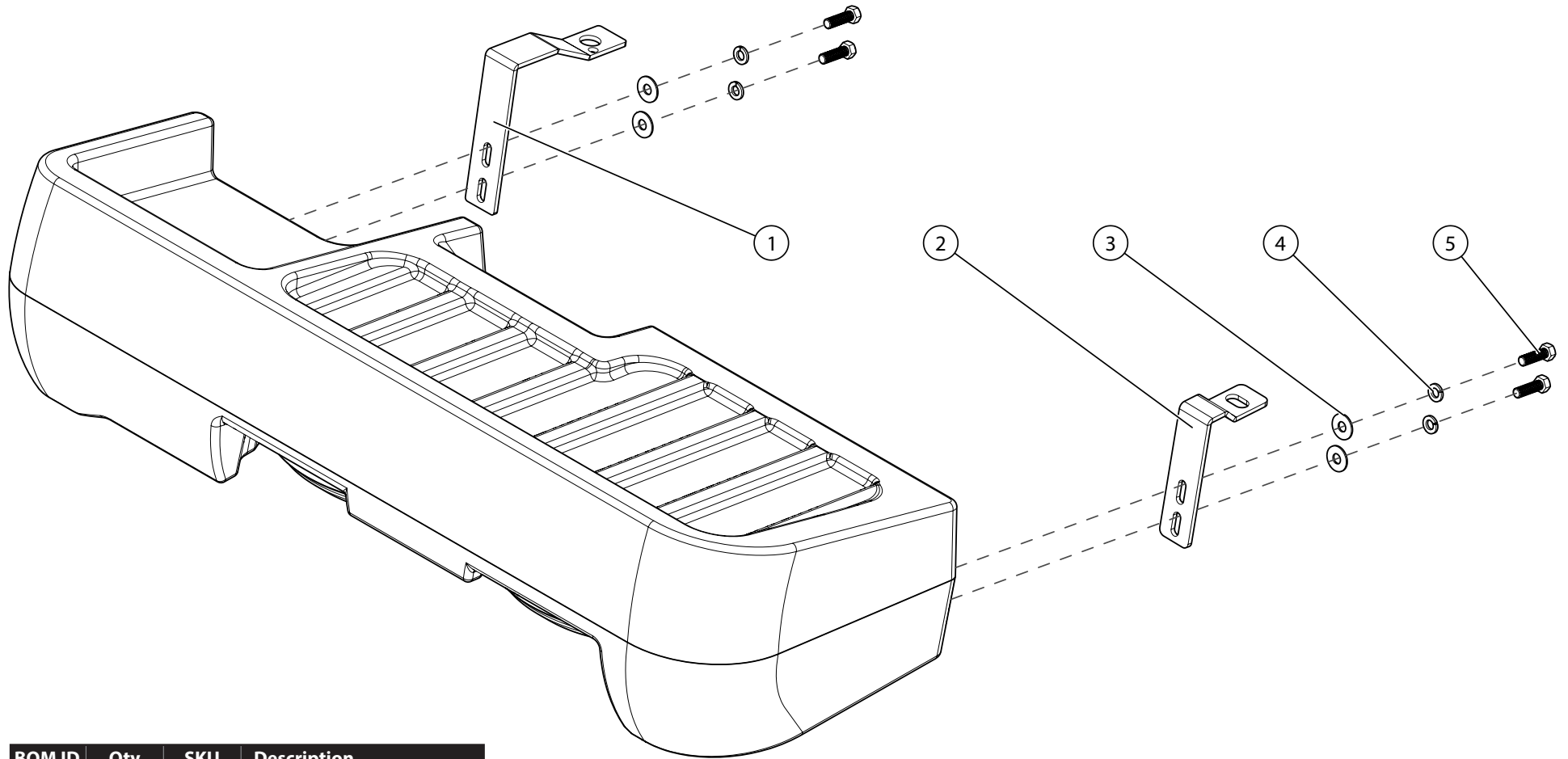


Thank you for choosing a JL Audio Stealthbox® for your automotive sound system. With proper installation, your new vehicle-specific enclosed subwoofer system will deliver years of listening pleasure.

We strongly recommend that you have your new Stealthbox® installed by your authorized JL Audio dealer. The installation professionals employed by your dealer have the necessary tools and experience to disassemble and reassemble your vehicle properly. If you prefer to perform your own installation, please read this installation guide completely before beginning the process.

Continued on Next Page

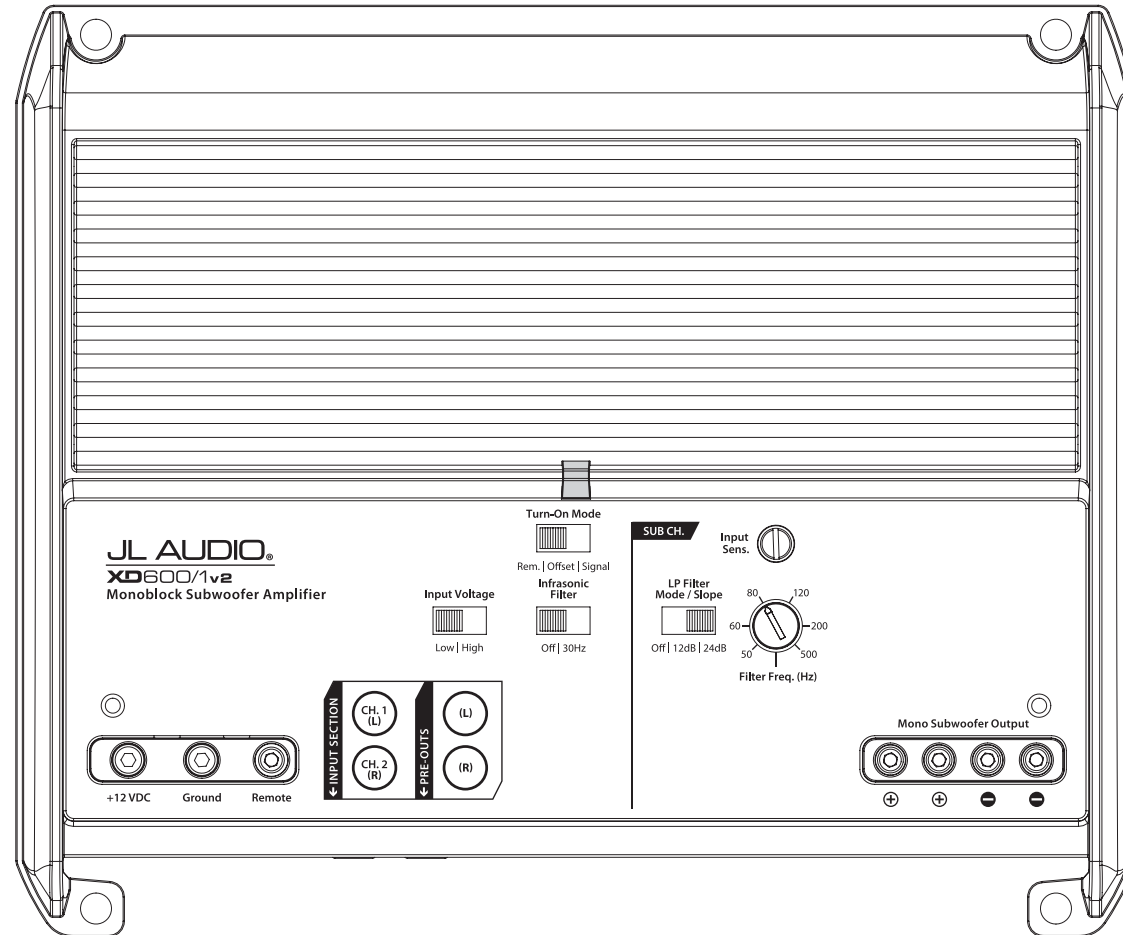
INCLUDED HARDWARE



BOM ID	Qty	SKU	Description
1	1	154066	Large Bracket
2	1	154001	Small Bracket
3	4	153988	3/8" Flat Washer
4	4	153987	3/8" Split Lock Washer
5	4	154038	3/8 - 16 x 1-1/2" Hex Head Bolt

POWER RECOMMENDATION

JL Audio recommends high quality amplifiers such as the JL Audio XD600/1v2. The diagram below shows the recommended crossover settings for the XD600/1v2. For a detailed description of the amplifier settings, consult the owner's manual for the amplifier. If another amplifier is being used, please reference this illustration and use similar settings on that amplifier.



CONNECTIONS

Using quality power, signal, and speaker wire is essential in ensuring the performance of your Stealthbox®. JL Audio recommends using a 4 AWG power kit such as the XD-PCS4-1B for your Stealthbox® amplifier. Other kits are available should you be using more than one amplifier. Signal wire such as the JL Audio Premium Audio Interconnect Cables should be used to provide signal for both channels of the amplifier. JL Audio recommends using 12 AWG speaker wire for subwoofers such as our XC-BCS12-25.



STEP 1
Empty the rear seat area.



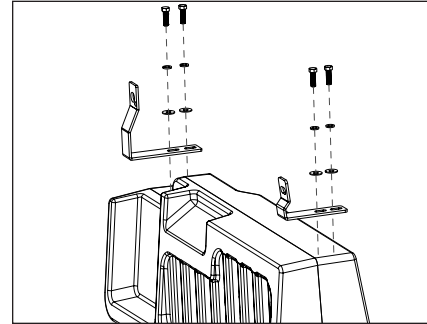
STEP 2
Fold the seat bottoms up.



STEP 3
Remove the outer seat bolt on the driver's side.

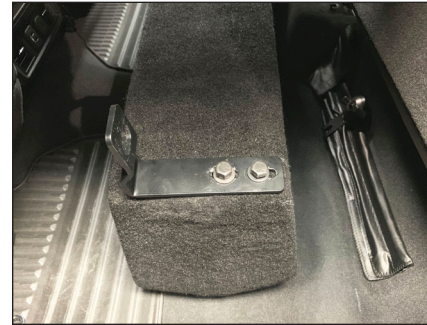


STEP 4
Remove the center seat bolt and seat belt bracket.



STEP 5
Align the Small Bracket to the back of the driver's side of the enclosure as shown. Slide a 3/8" Split Lock Washer and a 3/8" Flat Washer over each of two 3/8 - 16 x 1-1/2" Hex Head Bolts, pass an assembly through each slot in the Small Bracket, into the threaded inserts on the back of the enclosure, and hand tighten.

Repeat the process for the Large Bracket on the opposite side.



STEP 6
Place the Stealthbox® in the vehicle.
Connect speaker cable to the terminal cup on the bottom of the enclosure.



STEP 7
Carefully lower the enclosure into position, allowing the Small Bracket to fit over the outer seat bracket. Align the hole in the Small Bracket with the factory seat bolt hole.



STEP 8
Align the large hole in the Large Bracket with the center factory seat bolt hole. Be sure the alignment pin passes through the small hole in the Large Bracket.



STEP 9
Reinstall the outer seat bolt, and firmly tighten.



STEP 10
Reinstall the seat belt bracket and center seat bolt, and firmly tighten.



STEP 11
Push down on the front of the enclosure. Using a 9/16" open end wrench, firmly tighten the two 3/8 - 16 x 1-1/2" Hex Head Bolts on the Small Bracket.

Repeat the process for the Large Bracket on the opposite side.

Route the speaker cable as necessary.



STEP 12
Fold the seat bottoms back down.

CONGRATULATIONS!

You have completed the installation for this model! Enjoy your new Stealthbox®!



MID/HIGH FREQUENCY DRIVER FITMENT

A variety of JL Audio coaxial and component systems will fit in the factory speaker locations of your vehicle.

Location / OEM Speaker Size	Suggested JL Audio Speaker Models	
	Coaxial Models	Component Models
Front Doors / 6 x 9-inch	C1-690x ⁽¹⁾ , C1-690tx ⁽¹⁾ , C2-690tx ⁽¹⁾ C2-650x ⁽¹⁾ , C5-650x ⁽¹⁾	C1-690 ⁽¹⁾ , C1-650 ⁽¹⁾ , C2-650 ⁽¹⁾ , C3-650 ⁽¹⁾ , C5-650 ⁽¹⁾ , C7-650cw ^(1,2)
Rear Doors / 6.5-inch	C1-650x, C2-650x, C5-650x	C1-650, C2-650, C3-650, C5-650, C7-650cw ⁽²⁾

1 - Installation may require adaptor, 2 - Component woofer only

JL AUDIO | How we play.®    

(954) 443-1100

www.jlaudio.com

All specifications are subject to change without notice. "JL Audio" and "How we play" are registered trademarks of JL Audio, Inc. "Ahead of the Curve" and its respective logo are trademarks of JL Audio, Inc.
Printed in USA • ©2019 JL Audio, Inc. • For more detailed information please visit us online at www.jlaudio.com.

JLA-SKU# 011537 • ver. 10.29.2019 • 10369 NORTH COMMERCE PARKWAY • MIRAMAR, FLORIDA • 33025 • USA



011537