



Head of the Curve®



## Stealthbox®

INSTALLATION GUIDE  
for the

**SB-J-JTGLAD/10TW1**

**SKU# 94681**

**2020 & Up Jeep Gladiator (JT)**

**Enclosure Type:** Sealed

**Driver Type:** 10TW1-4

**Nominal Impedance:** 2 ohms

**Continuous Power Handling:** 600 watts (RMS method)

SB-J-JTGLAD/10TW1 INSTR\_SKU# 011550

### ! IMPORTANT

If you choose to perform the installation yourself, it is absolutely vital that the Stealthbox® be properly mounted to the vehicle according to these instructions. Failure to mount the enclosure properly presents two problems:

- 1) The sub-bass performance will suffer due to the movement of the enclosure caused by the force exerted by the woofer(s).
- 2) A loose enclosure presents a serious safety hazard in the event of a collision or sudden deceleration.

INSTALLATION  
DIFFICULTY:

1 OUT OF 5

ESTIMATED TIME:  
1 HOUR

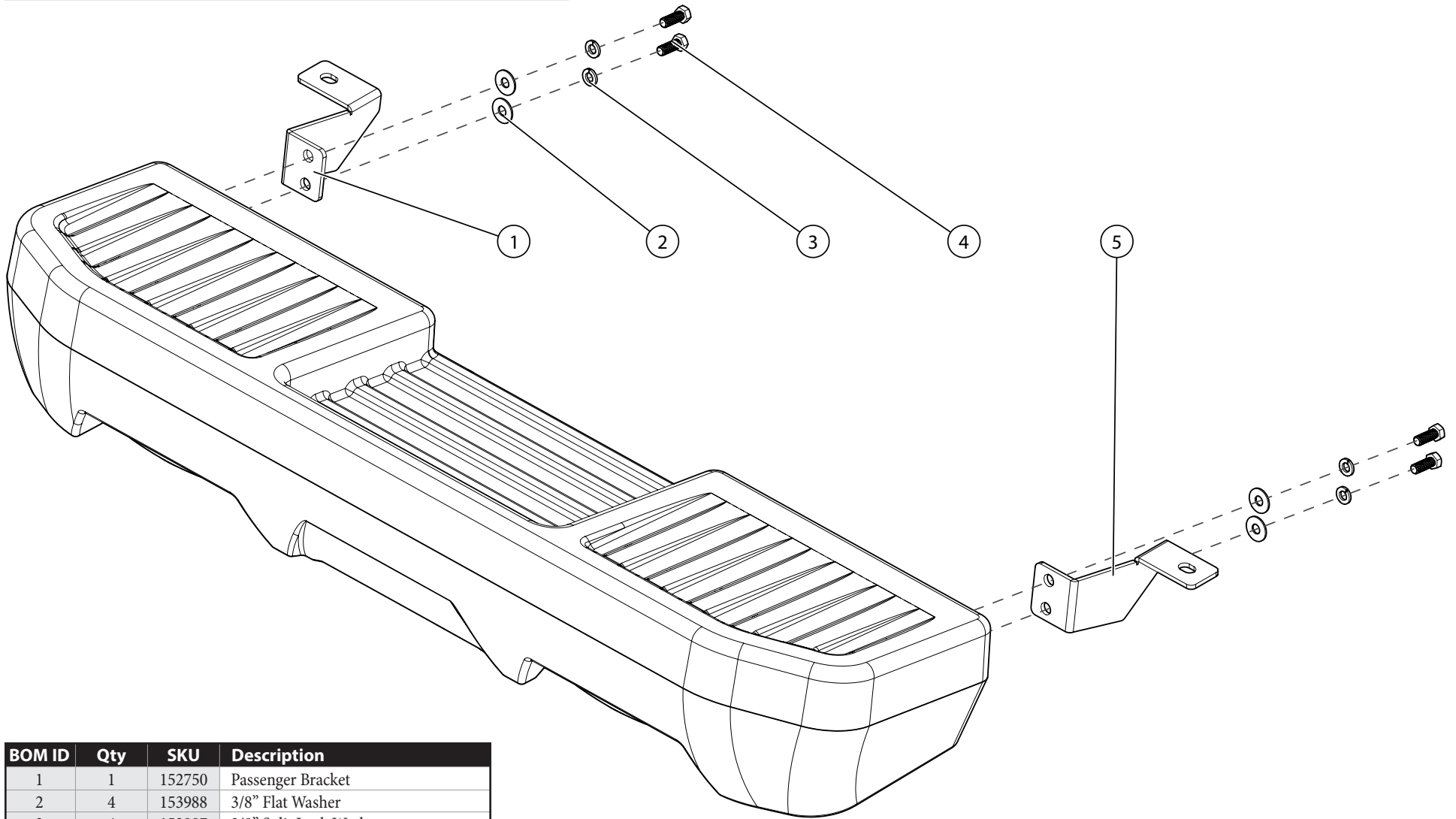


*Thank you for choosing a JL Audio Stealthbox® for your automotive sound system. With proper installation, your new vehicle-specific enclosed subwoofer system will deliver years of listening pleasure.*

*We strongly recommend that you have your new Stealthbox® installed by your authorized JL Audio dealer. The installation professionals employed by your dealer have the necessary tools and experience to disassemble and reassemble your vehicle properly. If you prefer to perform your own installation, please read this installation guide completely before beginning the process.*

Continued on Next Page

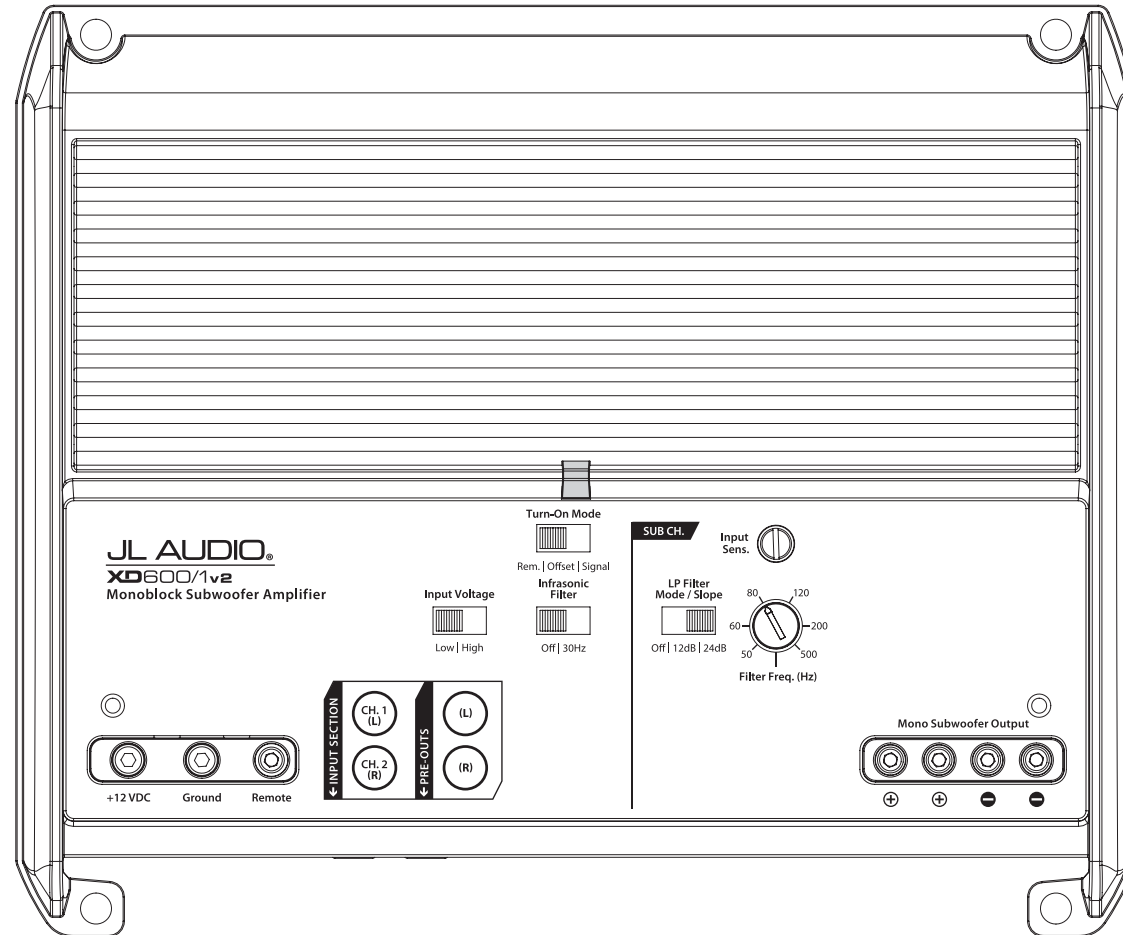
**INCLUDED HARDWARE**



BOM ID	Qty	SKU	Description
1	1	152750	Passenger Bracket
2	4	153988	3/8" Flat Washer
3	4	153987	3/8" Split Lock Washer
4	4	154038	3/8 - 16 x 1-1/2" Hex Head Bolt
5	1	152749	Driver Bracket

## POWER RECOMMENDATION

JL Audio recommends high quality amplifiers such as the JL Audio XD600/1v2. The diagram below shows the recommended crossover settings for the XD600/1v2. For a detailed description of the amplifier settings, consult the owner's manual for the amplifier. If another amplifier is being used, please reference this illustration and use similar settings on that amplifier.



## CONNECTIONS

Using quality power, signal, and speaker wire is essential in ensuring the performance of your Stealthbox®. JL Audio recommends using a 4 AWG power kit such as the XD-PCS4-1B for your Stealthbox® amplifier. Other kits are available should you be using more than one amplifier. Signal wire such as the JL Audio Premium Audio Interconnect Cables should be used to provide signal for both channels of the amplifier. JL Audio recommends using 12 AWG speaker wire for subwoofers such as our XC-BCS12-25.



**STEP 1**

Empty the rear seat area.



**STEP 2**

Fold the seat bottoms up.



**STEP 3**

Open the storage compartment, and remove the divider panels and mat to expose the mounting screws.



**STEP 4**

Using a 10mm socket and wrench, remove the two screws from each side of the storage compartment.



**STEP 5**

Remove the storage compartment from the vehicle.



**STEP 6**

Using an E14 Torx socket and wrench, remove the factory seat bracket bolt from each side of the vehicle.



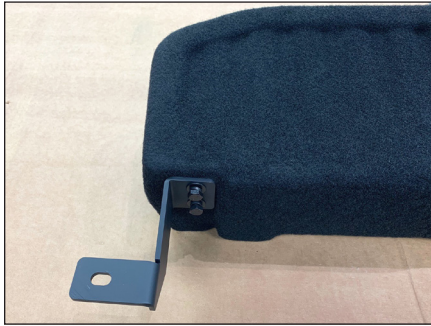
**STEP 7**

Unclip and remove the hardtop hardware storage box lid. Remove the foam insert from the hardtop hardware storage box to expose the mounting nuts.



**STEP 8**

Using a 10mm socket and wrench, remove the two mounting nuts, then remove the hardtop hardware storage box from the vehicle.



**STEP 9**

Align the two holes in the Driver Bracket with the two threaded inserts in the back of the enclosure. Slide a 3/8" Split Lock Washer and a 3/8" Flat Washer over each of two 3/8 - 16 x 1-1/2" Hex Head Bolts, thread an assembly through each hole in the Driver Bracket, into a threaded insert, and hand tighten.

Repeat the process for the Passenger Bracket on the other end of the enclosure.



**STEP 10**

Carefully place the Stealthbox® into the vehicle, and align the slots in the Driver Bracket and Passenger Bracket with the factory seat bracket holes.

Center the enclosure in the vehicle. Using an E14 Torx socket and wrench, fully tighten the two factory seat bracket bolts. Using a 9/16" socket and wrench, fully tighten the four 3/8 - 16 x 1-1/2" Hex Head Bolts.



**STEP 11**

Connect speaker cable to the terminal cup on the back of the enclosure, and route the cable as necessary.

Reinstall the hardtop hardware storage box.



**STEP 12**

Fold the seat bottoms back down.

**CONGRATULATIONS!**

You have completed the installation for this model! Enjoy your new Stealthbox®!



**MID/HIGH FREQUENCY DRIVER FITMENT**

A variety of JL Audio coaxial and component systems will fit in the factory speaker locations of your vehicle.

Location / OEM Speaker Size	Suggested JL Audio Speaker Models		
	Coaxial Models	Component Models	
Dash	Upper / 3-1/2-inch	C2-350x	C7-350cm
	Lower / 4-inch	C1-400x, C2-400x	C5-400cm
Roll Bar	Outer / 3-1/2-inch	C2-350x	C7-350cm
	Inner / 4-inch	C1-400x, C2-400x	C5-400cm

**JL AUDIO** | How we play.®    

(954) 443-1100

[www.jlaudio.com](http://www.jlaudio.com)

All specifications are subject to change without notice. "JL Audio" and "How we play" are registered trademarks of JL Audio, Inc. "Ahead of the Curve" and its respective logo are trademarks of JL Audio, Inc.

Printed in USA • ©2020 JL Audio, Inc. • For more detailed information please visit us online at [www.jlaudio.com](http://www.jlaudio.com).

JLA-SKU# 011550 • ver. 02.20.2020 • 10369 NORTH COMMERCE PARKWAY • MIRAMAR, FLORIDA • 33025 • USA



\*011550\*