

# Stealthbox®

INSTALLATION GUIDE  
for the

**SB-J-UNLTD4DR/13TW5v2**

SKU# 94418 - 94419

2007 - 2012 Jeep Wrangler Unlimited



*Thank you for choosing a JL Audio Stealthbox® for your automotive sound system. With proper installation, your new vehicle-specific enclosed subwoofer system will deliver years of listening pleasure.*

*We strongly recommend that you have your new Stealthbox® installed by your authorized JL Audio dealer. The installation professionals employed by your dealer have the necessary tools and experience to disassemble and reassemble your vehicle properly. If you prefer to perform your own installation, please read this installation guide completely before beginning the process.*

**JL AUDIO®**  
Ahead of the Curve™

## ! IMPORTANT

If you choose to perform the installation yourself, it is absolutely vital that the Stealthbox® be properly mounted to the vehicle according to these instructions. Failure to mount the enclosure properly presents two problems:

- 1) The sub-bass performance will suffer due to the movement of the enclosure caused by the force exerted by the woofer(s).
- 2) A loose enclosure presents a serious safety hazard in the event of a collision or sudden deceleration.

**INSTALLATION  
DIFFICULTY:**

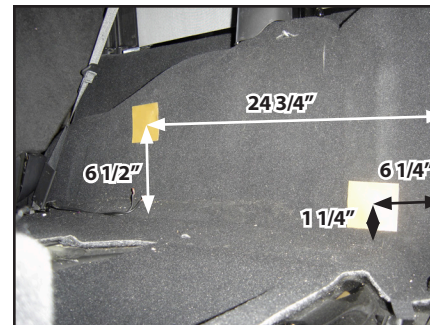
**3** OUT  
OF  
**5**

**ESTIMATED TIME:  
2-3 HOURS**



### STEP 1

Empty the passengers side rear of the Jeep, remove the 4 screws that secure the tail-light. Unplug the light assembly and set it aside as you'll need access into the area behind where it was mounted.



### STEP 2

Place the two wax squares on the inner fender as shown in the picture (left) measuring from the outside edge of the tailgate opening forward and, up from the floor.



### STEP 3

Thread the 3/8" - 16 studs into the enclosures so that only 3/8" projects from the bosses. Now is also a good time to verify the performance of the woofer before it's mounted.



**STEP 4**

Slide enclosure into place and press against the inner fender, producing indentations in the wax squares where the studs hit. Remove the enclosure.



**STEP 5**

Notice the Inner Fender Liner Fasteners, all 12 of these fasteners need to be removed so that the Inner Fender Liner can be dropped down on the rear tire. This needs to be done so that you can gain access to the Hole where the Allen Head Stud will come through the Inner Fender.



**DETAIL**

Pulling on the center head of the inner fender body fasteners will allow the fastener to be removed. Re-installation is the reverse process, push the body of the fastener through the holes then, push the center head in to expand the body.

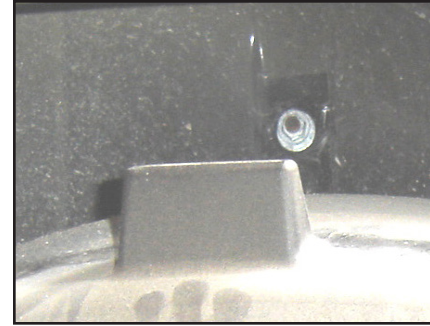


**STEP 6**

At each mark in the wax squares, drill a 3/8" hole through the carpeting and inner fender. Back out the Allen Head Studs in the Stealthbox® so that Approximately 1" is exposed.

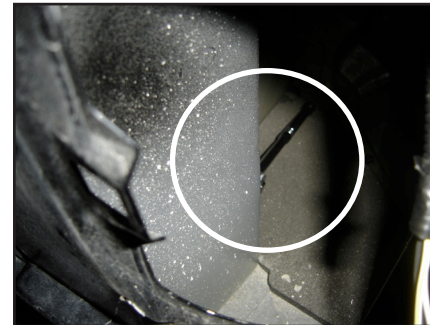
**\*CAUTION\***

**Before drilling, always make sure that you are not going to be drilling into any gas lines, brake lines, transmission lines, electrical wiring, exhaust systems or anything else that might cause a reduction in your weekly pay. Always wear eye protection when drilling.**



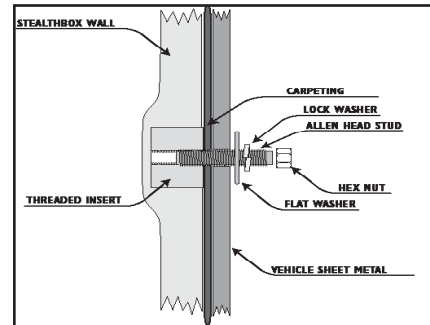
**STEP 7**

Start the included hardware on the 3/8-16 Allen Head Stud. There should be a 3/8 x 1-1/2" Fender Washer, Split lock Washer and Hex Nut on the Allen Head Stud. (see illustration at **STEP 9** for details).



**STEP 8**

Reaching down and around through the hole where the taillight mounts, you will find the rear Allen Head Stud. Install included hardware as illustrated above. Re-install the previously removed Taillight, test the operation of the taillights.



**STEP 9**

Once the hardware is started on BOTH the front, and rear Allen Head Studs, you can tighten the hardware down.



**STEP 10**

**CONGRATULATIONS!**

You have completed the installation for this model!

Enjoy your new Stealthbox®!

Please refer to the Power Recommendation section for an amplifier recommendation and basic set-up help.

## INCLUDED HARDWARE

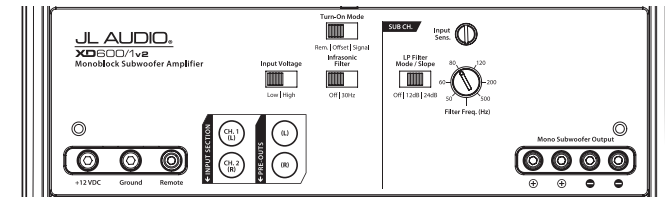
2) 3"X 3" Wax Square	2) 3/8-16 x 2-1/4" Allen Head Stud
2) 3/8" x 1-1/4" Fender Washer	2) 3/8" Flat Washer
2) 3/8" Split Lock Washer	2) 3/8-16 Hex Nut

## SPECIFICATIONS

**Enclosure Type:** Acoustic Suspension (sealed)  
**Driver Type:** 13TW5v2-2  
**Nominal Impedance:** 2 Ohms  
**Continuous Power Handling:** 600 Watts RMS

## POWER RECOMMENDATION

JL Audio recommends using a high quality amplifier such as the JL Audio XD600/1v2. The diagram below shows the recommended crossover, infrasonic filter and equalizer settings for the XD600/1v2 when being used to power your Stealthbox®.



The JL Audio XD600/1v2 is a very versatile audio component. Please consult the owner's manual for even more detailed information about installing and tuning this amplifier.

## MID/HIGH FREQUENCY DRIVER FITMENT

A variety of JL Audio coaxial and component systems will fit in the factory speaker locations of your vehicle.

**Front Speaker Size / Location:** 6 3/4-inch / Dash

**Fits JL Audio Models:** TR650-CSi, TR650-CXi, C2-650, C2-650x, C3-650, C5-650, C5-650x & ZR650-CSi

**Rear Speaker Size / Location:** 6 3/4-inch / Roll Bar (Custom Mounting Plate Required)

**Fits JL Audio Models:** TR650-CSi, TR650-CXi, C2-650, C2-650x, C3-650, C5-650, C5-650x & ZR650-CSi



**JL AUDIO®**  
*Ahead of the Curve™*

(954) 443-1100

[www.jlaudio.com](http://www.jlaudio.com)

All specifications are subject to change without notice. "JL Audio" and the JL Audio logo, "Stealthbox" and the Stealthbox logo are registered trademarks of JL Audio, Inc. "Ahead of the Curve" and its respective logo is a trademark of JL Audio, Inc.

JLA-SKU# 011276 09.20.2016 • Printed in USA • ©2016 JL Audio, Inc.  
 For more detailed information please visit us online at [www.jlaudio.com](http://www.jlaudio.com).

