



! IMPORTANT

- Installation requires appropriate tools and safety equipment. Professional installation is recommended.
- If you prefer to perform your own installation, please read this installation guide completely before beginning.
- Before cutting or drilling, check for potential obstacles behind mounting surfaces.
- Mount this product securely to prevent damage or injury in severe conditions.

INSTALLATION
DIFFICULTY:

2 ^{OUT}
OF 5

ESTIMATED TIME:
1 HOUR



Stealthbox[®]

INSTALLATION GUIDE
for the

SB-TE-YG1-10TW1

SKU# 94715

2020-Up Tesla Model Y (5 Seat Model)

Enclosure Type: Sealed

Driver Type: 10TW1-2

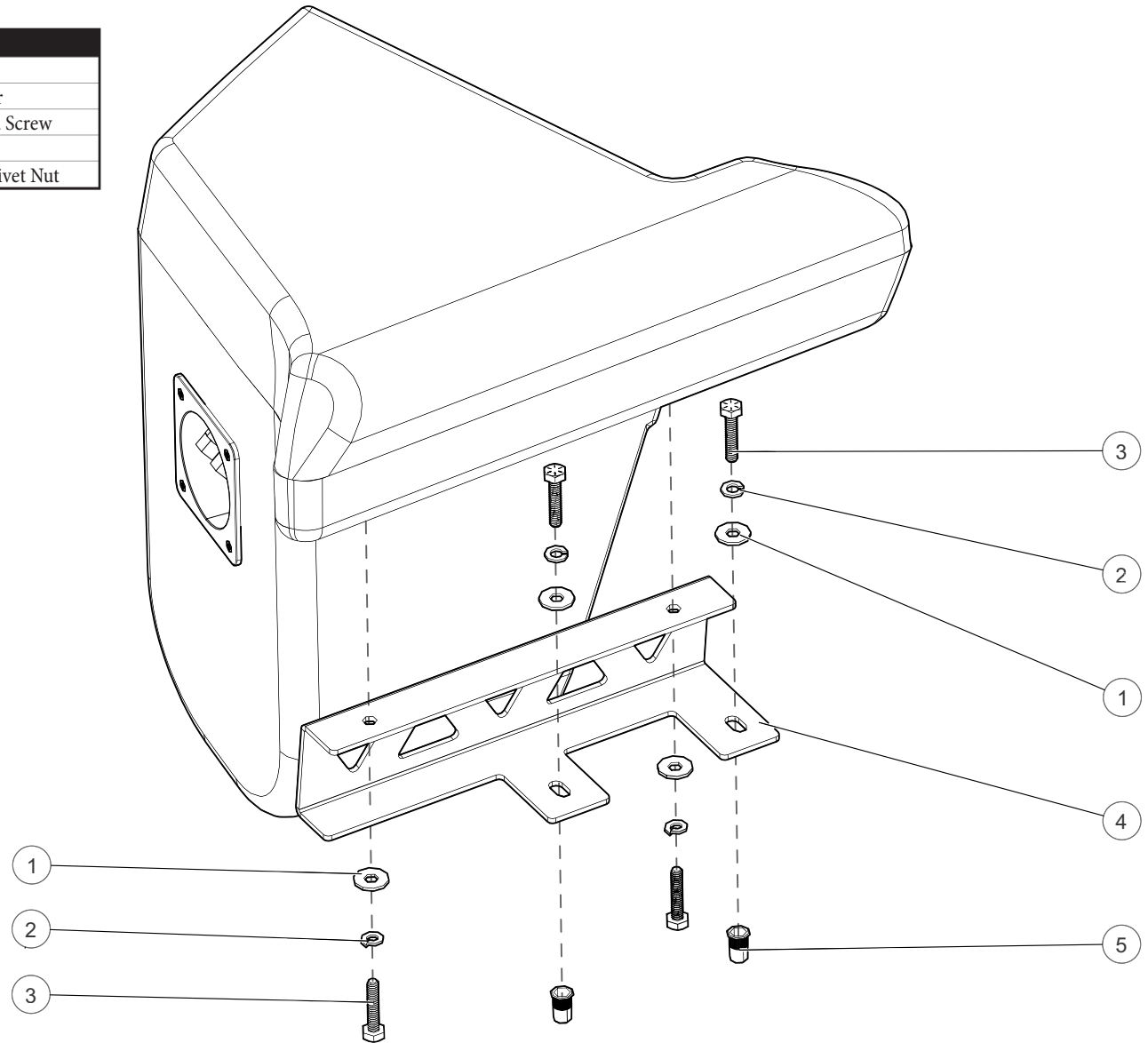
Nominal Impedance: 2 ohms

Continuous Power Handling: 300 watts (RMS method)



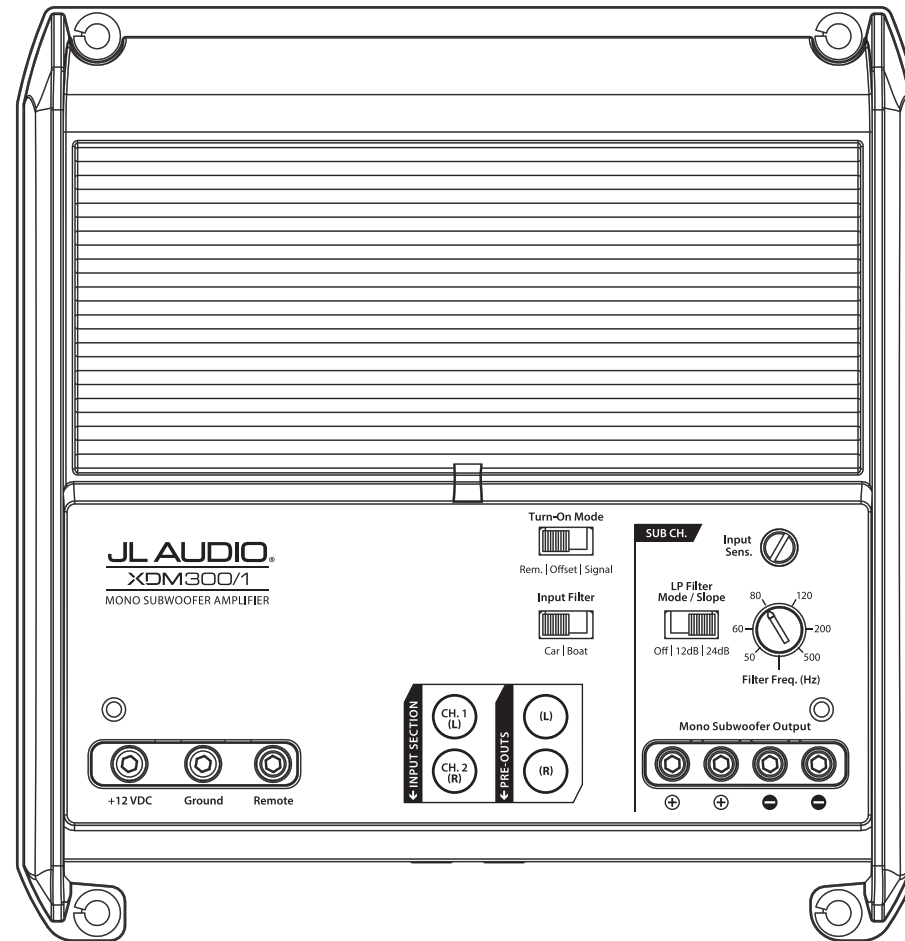
INCLUDED HARDWARE

BOM ID	Qty	SKU	Description
1	4	151746	1/4" Flat Washer
2	4	151098	1/4" Split Lock Washer
3	4	150042	1/4 - 20 x 1" Hex Head Screw
4	1	154543	Bracket
5	4	150994	1/4 - 20 Heavy Duty Rivet Nut



POWER RECOMMENDATION

JL Audio recommends high quality amplifiers such as the JL Audio XDM300/1. The diagram below shows the recommended crossover settings for the XDM300/1. For a detailed description of the amplifier settings, consult the owner's manual for the amplifier. If another amplifier is being used, please reference this illustration and use similar settings on that amplifier.



CONNECTIONS

Using quality power, signal, and speaker wire is essential in ensuring the performance of your Stealthbox®. JL Audio recommends using a 4 AWG power kit such as the XD-PCS4-1B for your Stealthbox® amplifier. Other kits are available should you be using more than one amplifier. Signal wire such as the JL Audio Premium Audio Interconnect Cables should be used to provide signal for both channels of the amplifier. JL Audio recommends using 12 AWG speaker wire for subwoofers such as our XC-BCS12-25.



STEP 1
Empty the cargo area.



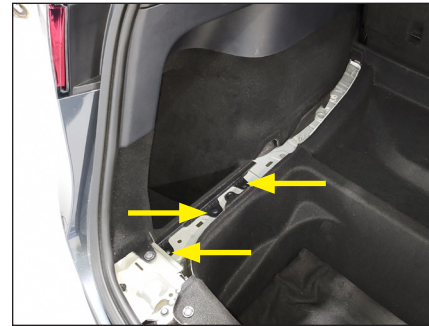
STEP 2
Tilt the driver side rear seat forward. Lift and remove both factory cargo floor covers.



STEP 3
Carefully pry the hatch sill trim up from the floor and remove.



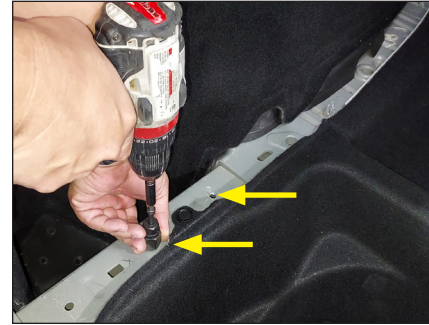
STEP 4
Carefully pry the indicated driver side carpeted floor panel up from the floor and remove.



STEP 5
Carefully pry the indicated plastic clips from the floor to remove the cargo pocket.



STEP 6
Use a 3/8" drill bit to enlarge the single indicated factory cargo pocket mounting clip hole.



STEP 7
Use a rivet nut installation tool to install a supplied 1/4 - 20 Heavy Duty Rivet Nut into each of the two indicated holes.



STEP 7
Slide a 1/4" Split Lock Washer and a 1/4" Flat Washer each onto a 1/4 - 20 x 1" Hex Head Screw to create a screw assembly.

Referring to **Page 2** as a guide, use two assemblies to attach the Bracket to the Stealthbox® enclosure's threaded inserts. Fully tighten the screws.



STEP 8

Route speaker cable to the Stealthbox® and connect to the terminal cup.

Place the Stealthbox® into the driver side cargo pocket opening with the Bracket oriented as shown.



STEP 9

Slide a 1/4" Split Lock Washer and a 1/4" Flat Washer each onto a 1/4 - 20 x 1" Hex Head Screw to create a screw assembly.

Use two assemblies to secure the Bracket to the two 1/4 - 20 Heavy Duty Rivet Nuts installed in **STEP 7**. Fully tighten the screws.



STEP 10

Reinstall the factory panels, including the driver side floor panel removed in **STEP 4**.

CONGRATULATIONS!

You have completed the installation for this model! Enjoy your new Stealthbox®!



MID/HIGH FREQUENCY DRIVER FITMENT

A variety of JL Audio coaxial and component systems will fit in the factory speaker locations of your vehicle.

Location / OEM Speaker Size	Suggested JL Audio Speaker Models	
	Coaxial Models	Component Models
Front Doors / 6.5-inch	C1-650x ⁽¹⁾ , C2-650x ⁽¹⁾	C1-650 ⁽¹⁾ , C2-650 ⁽¹⁾ , C3-650 ⁽¹⁾ , C7-650cw ^(1,2)
Rear Doors / 6.5-inch	C1-650x ⁽¹⁾ , C2-650x ⁽¹⁾	C1-650 ⁽¹⁾ , C2-650 ⁽¹⁾ , C3-650 ⁽¹⁾ , C7-650cw ^(1,2)

1 - Installation may require adaptor, 2 - Component woofer only

JL AUDIO | How we play.®    

(954) 443-1100

www.jlaudio.com

All specifications are subject to change without notice. "JL Audio" and "How we play" are registered trademarks of JL Audio, Inc. "Ahead of the Curve" and its respective logo are trademarks of JL Audio, Inc.

Printed in USA • ©2023 JL Audio, Inc. • For more detailed information please visit us online at www.jlaudio.com.

JLA-SKU# 011587 • ver. 03.22.23 • 10369 NORTH COMMERCE PARKWAY • MIRAMAR, FLORIDA • 33025 • USA



011587