

JL AUDIO[®]
A Garmin Brand



Stealthbox[®]
INSTALLATION GUIDE
for the

SBX-T-TACDCG3/10TW1

SKU# 94722

2016-Up Toyota Tacoma Double Cab

Enclosure Type: Sealed

Driver Type: 10TW3-D4

Nominal Impedance: 2 ohms

Continuous Power Handling: 400 watts (RMS method)

! IMPORTANT

- Installation requires appropriate tools and safety equipment. Professional installation is recommended.
- If you prefer to perform your own installation, please read this installation guide completely before beginning.
- Before cutting or drilling, check for potential obstacles behind mounting surfaces.
- Mount this product securely to prevent damage or injury in severe conditions.

INSTALLATION
DIFFICULTY:

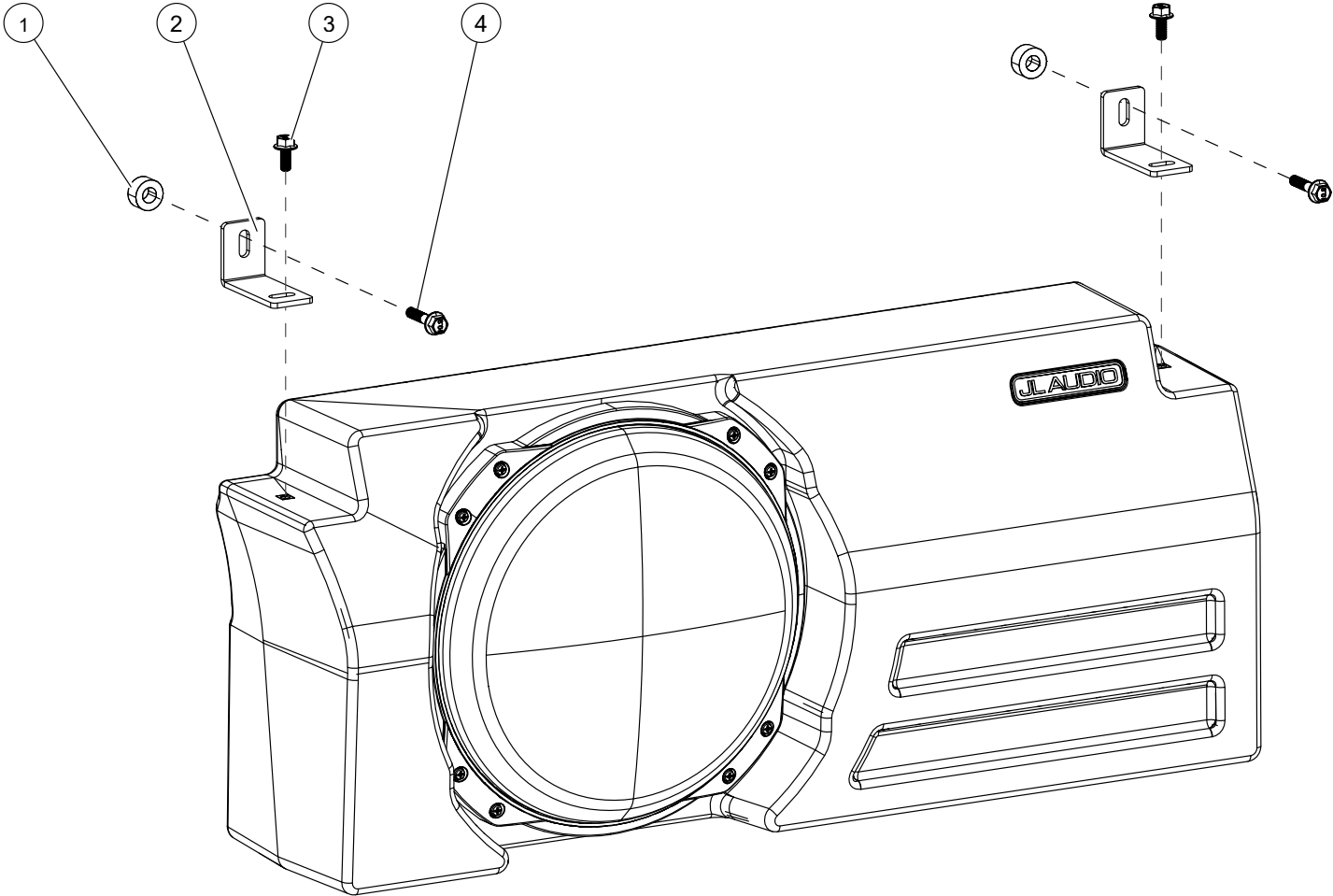
1 OUT OF 5

ESTIMATED TIME:
1 HOUR



INCLUDED HARDWARE

BOM ID	Qty	SKU	Description
1	2	151329	3/8" ID, 3/4" OD x 3/8" Long Aluminum Spacer
2	2	155079	L-Bracket
3	2	155078	M6 x 14mm Flanged Hex Head Screw
4	2	155077	M6 x 20mm Flanged Hex Head Screw
-	1	194157	Vibra-Tite 132 (not shown)
-	2	150249	Foam Tape (not shown)





STEP 1

Empty the rear seat area.



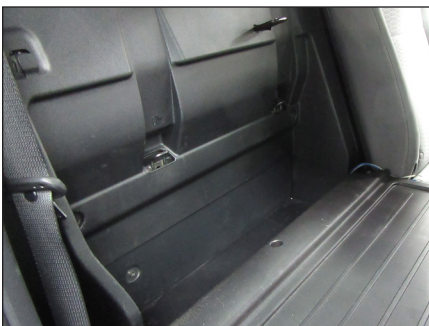
STEP 2

Fold the passenger side seat bottom forward.



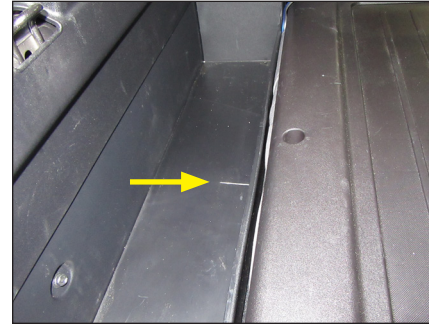
STEP 3

Remove the two headrests on the passenger side seat back.



STEP 4

Fold the passenger side seat back down to access the rear storage pocket, and empty the pocket.



STEP 5

Locate the small, plastic tab in the center of the storage pocket floor. Using a razor knife, carefully remove the tab.



STEP 6

Peel the adhesive backing and place Foam Tape strips into the storage pocket, as needed. Route speaker cable to the inner side of the storage pocket.



STEP 7

Connect the speaker cable and place the enclosure into position, as shown.

Remove the factory bolt from the back of the storage pocket on each side of the enclosure. These will not be reinstalled.



STEP 8

Apply Vibra-Tite 132 to an M6 x 30mm Flanged Hex Head Screw, pass it through the slot in the L-Bracket, through a 3/8" Long Aluminum Spacer, into the factory location, and hand tighten. Apply Vibra-Tite 132 to an M6 x 14mm Flanged Hex Head Screw, pass it through the slot in the 3/8" Long Aluminum Spacer, into the insert in the enclosure, and hand tighten.

Repeat the process for the opposite side.



STEP 9
Fully tighten all four fasteners.



STEP 10
Fold the seat back into place and reinstall the headrests.

CONGRATULATIONS!

You have completed the installation for this model! Enjoy your new Stealthbox®!



MID/HIGH FREQUENCY DRIVER FITMENT

A variety of JL Audio coaxial and component systems will fit in the factory speaker locations of your vehicle.

Location / OEM Speaker Size		Suggested JL Audio Speaker Models	
		Coaxial Models	Component Models
Front	Dash / 2.75-inch	N/A	CF-275mt
	Door / 6x9-inch	C1-690x ⁽¹⁾ , C1-690tx ⁽¹⁾ , C2-690tx ⁽¹⁾ C2-650x ⁽¹⁾ , C5-650x ⁽¹⁾	C1-650, C2-650, C3-650, C6-650cw ⁽²⁾ , C7-650cw ⁽²⁾
Rear	Door / 6.5-inch	C1-650x, C2-650x	C1-650, C2-650, C3-650, C6-650cw ⁽²⁾ , C7-650cw ⁽²⁾

1 - Installation may require adaptor, 2 - Component woofer only

JL AUDIO | How we play.®    

(954) 443-1100

www.jlaudio.com

Please review the warranty information included with each product for details. Warranty is valid only if the product was purchased from an Authorized JL Audio Dealer. Authorized dealer status can be verified with the Dealer Locator on www.jlaudio.com. International Warranty: Please contact your country's JL Audio distributor for specific warranty details. © Garmin Ltd. or its subsidiaries. All rights reserved. • Garmin, JL Audio, Stealthbox, and How we play, are trademarks of Garmin Ltd. or its subsidiaries and are registered in one or more countries, including the U.S. The JL Audio logo, the How we play logo, the Stealthbox logo, and the SBX logo are trademarks of Garmin Ltd. or its subsidiaries. Product images shown are for illustrative purposes only and may differ from the actual product. Due to continuous product development, all specifications are subject to change without notice.

JLA-SKU# 011600 • ver. 04.18.2024 • 10369 NORTH COMMERCE PARKWAY • MIRAMAR, FLORIDA • 33025 • USA



011600