

JL AUDIO[®]
A Garmin Brand



Stealthbox[®]

INSTALLATION GUIDE
for the

SBX-T-TCMAX3G/12TW3

SKU# 94749

2022-Up Toyota Tundra CrewMax

Enclosure Type: Sealed

Driver Type: 12TW3-D4

Nominal Impedance: 2 ohms

Continuous Power Handling: 400 watts (RMS method)

! IMPORTANT

- Installation requires appropriate tools and safety equipment. Professional installation is recommended.
- If you prefer to perform your own installation, please read this installation guide completely before beginning.
- Before cutting or drilling, check for potential obstacles behind mounting surfaces.
- Mount this product securely to prevent damage or injury in severe conditions.

INSTALLATION
DIFFICULTY:

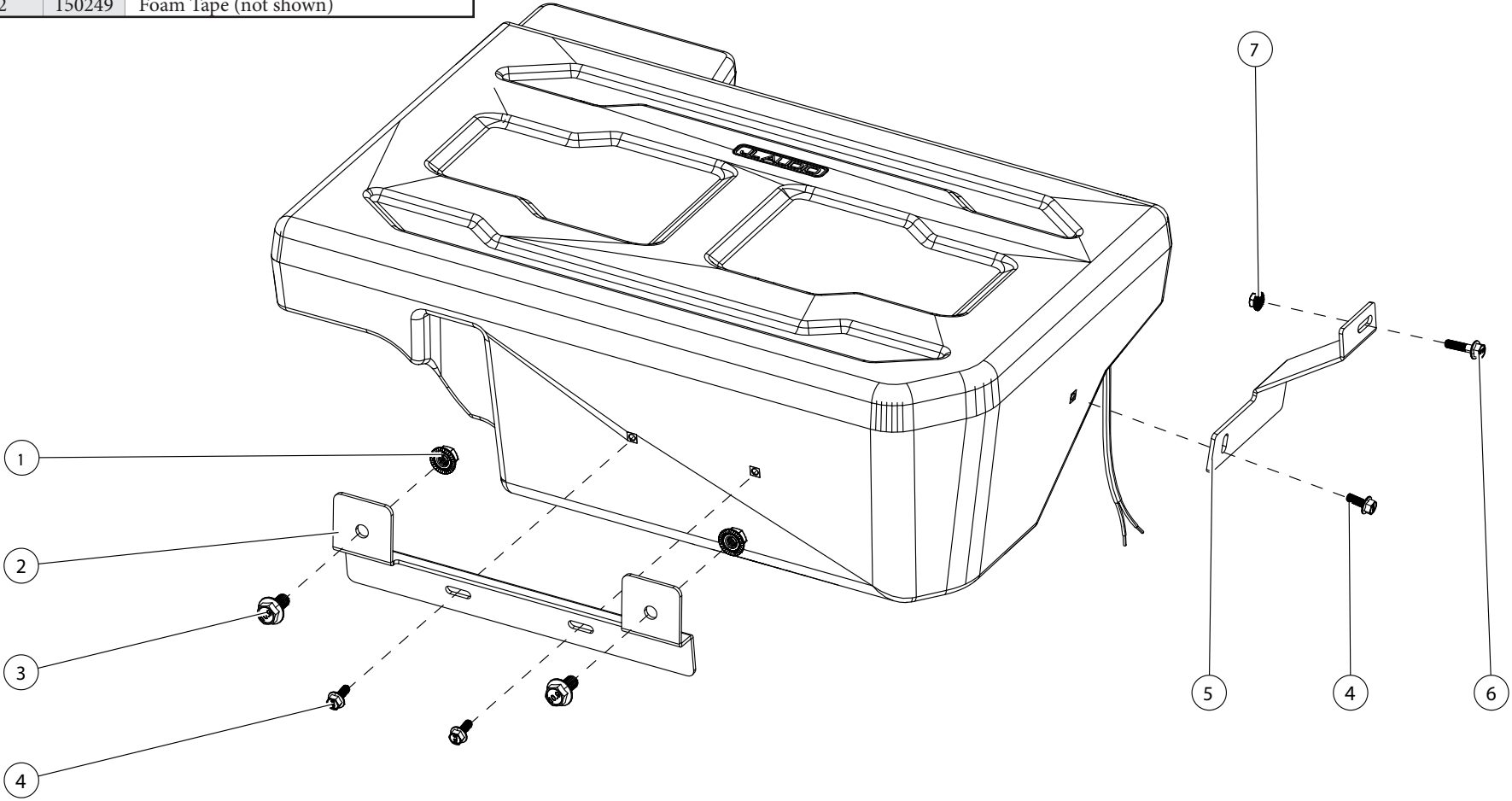
2^{OUT}
OF 5

ESTIMATED TIME:
1 HOUR



INCLUDED HARDWARE

BOM ID	Qty	SKU	Description
1	2	155111	M10 Serrated Flange Locknut
2	1	155073	Front Bracket
3	2	155108	M10 x 20mm Flanged Hex Head Screw
4	3	155107	M6 x 16mm Flanged Hex Head Screw
5	1	155074	Side Bracket
6	1	155109	M6 x 25mm Flanged Hex Head Screw
7	1	155110	M6 Flanged Serrated Locknut
-	1	194157	Vibra-Tite 132 (not shown)
-	2	150249	Foam Tape (not shown)





STEP 1
Empty the rear seat area.



STEP 2
Lift the rear seat bottom and empty the storage pocket.



STEP 3
Carefully unclip and remove the rear door sill panel on the driver's side.



STEP 4
Carefully remove the retaining clips around the upper perimeter of the storage pocket.

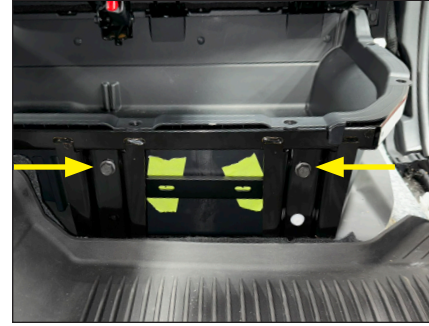


STEP 5
Remove the outer storage pocket trim panel.



STEP 6
Align the Side Bracket to the seat frame, as shown. Temporarily secure the Side Bracket with an M6 x 25mm Flanged Hex Head Screw on the outside of the frame and an M6 Flanged Serrated Locknut on the inside of the frame.

Mark the center location of the slot in the Side Bracket onto the storage pocket.



STEP 7
Align the Front Bracket to the seat frame, as shown. Temporarily secure the Front Bracket with an M10 x 20mm Flanged Hex Head Screw on the outside of the frame and an M6 Flanged Serrated Locknut on the inside of the frame.

Mark the center location of the two slots in the Front Bracket onto the storage pocket.



STEP 8
Remove the Side Bracket from the seat frame.
Using a 1/8" drill bit, carefully drill through the center mark on the storage pocket. Using a 1" drill bit, carefully enlarge the hole.
Repeat the process for the Front Bracket.



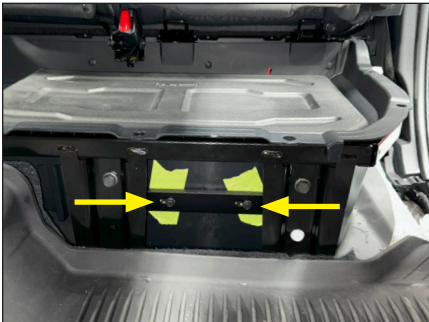
STEP 9
Peel the adhesive backing and place Foam Tape Strips into the storage pocket, as needed.

Place the enclosure into the storage pocket and route speaker cable as necessary.



STEP 10
Reinstall the Side Bracket onto the seat frame, and hand tighten the M6 x 25mm Flanged Hex Head Screw and M6 Flanged Serrated Locknut.

Apply Vibra-Tite 132 to an M6 x 16mm Flanged Hex Head Screw, pass it through the slot in the Side Bracket, through the hole in the storage pocket, into the threaded insert in the side of the enclosure, and hand tighten.



STEP 11
Reinstall the Front Bracket onto the seat frame, and hand tighten the M10 x 20mm Flanged Hex Head Screw and M10 Flanged Serrated Locknut.

Apply Vibra-Tite 132 to a pair of M6 x 16mm Flanged Hex Head Screws, pass each through a slot in the Front Bracket, through the holes in the storage pocket, into the threaded inserts in the front of the enclosure, and hand tighten.



STEP 12
Fully tighten all the fasteners on the Side Bracket and Front Bracket.

Reinstall the outer storage bracket trim panel, retaining clips, and door sill panel.

CONGRATULATIONS!

You have completed the installation for this model! Enjoy your new SBX™ subwoofer system!



MID/HIGH FREQUENCY DRIVER FITMENT

A variety of JL Audio coaxial and component systems will fit in the factory speaker locations of your vehicle.

Location / OEM Speaker Size		Suggested JL Audio Speaker Models	
		Coaxial Models	Component Models
Front	Dash / 2.75-inch	N/A	CF-275mt
	Door / 6x9-inch	C1-690x ⁽¹⁾ , C1-690tx ⁽¹⁾ , C2-690tx ⁽¹⁾ C2-650x ⁽¹⁾ , C5-650x ⁽¹⁾	C1-650, C2-650, C3-650, C6-650cw ⁽²⁾ , C7-650cw ⁽²⁾
Rear	Door / 6.5-inch	C1-650x, C2-650x	C1-650, C2-650, C3-650, C6-650cw ⁽²⁾ , C7-650cw ⁽²⁾

1 - Installation may require adaptor, 2 - Component woofer only

JL AUDIO® | How we play.®

(954) 443-1100 | www.jlaudio.com

Please review the warranty information included with each product for details. Warranty is valid only if the product was purchased from an Authorized JL Audio Dealer. Authorized dealer status can be verified with the Dealer Locator on www.jlaudio.com. International Warranty: Please contact your country's JL Audio distributor for specific warranty details. © Garmin Ltd. or its subsidiaries. All rights reserved. • Garmin, JL Audio, Stealthbox, and How we play, are trademarks of Garmin Ltd. or its subsidiaries and are registered in one or more countries, including the U.S. The JL Audio logo, the How we play logo, the Stealthbox logo, and the SBX logo are trademarks of Garmin Ltd. or its subsidiaries. Product images shown are for illustrative purposes only and may differ from the actual product. Due to continuous product development, all specifications are subject to change without notice.

