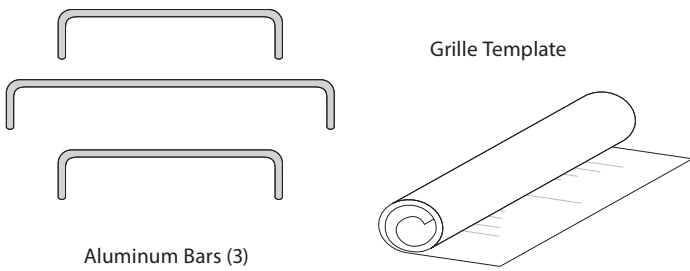
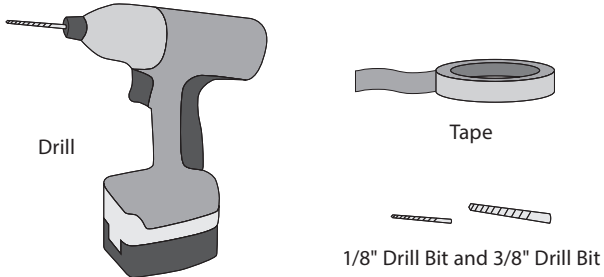


## W7 Grille Installation Instructions

When installation of the W7 grille system is performed correctly, the bars will provide stylish protection for your subwoofer investment.

Kit Contents	Necessary Tools
 <p>Aluminum Bars (3)</p> <p>Grille Template</p>	 <p>Drill</p> <p>Tape</p> <p>1/8" Drill Bit and 3/8" Drill Bit</p>

### Step-by-Step Procedure

**Step 1:** Using the supplied template, determine the location and angle (Figure 3) for the three aluminum grille bars. The dotted lines on the template represent the mounting hole for each of the four W7 models. Lining up the appropriate hole will allow proper location of the grille bar mounting holes.

**Step 2:** Mark the center location of each grille bar mounting hole (six total per woofer) on the surface that will hold the aluminum bars.

Choose one of the following techniques to ensure drilling in Step 3 & Step 4 does NOT exceed 1/2" deep.

**Option #1:** Attach a piece of tape around the drill bit 1/2" from the bit's tip. Use this as a guide when drilling so as to not drill too deeply. (Figure #1)

**Option #2:** Secure the drill bit into the drill so that 1/2" of the bit protrudes out the end of a deep well socket when the socket is placed over the drill bit. This will allow you to use the socket as a stopper, allowing only 1/2" of the bit to go into the grille mounting surface. (Figure #2)

**Step 3:** Using a 1/8" diameter drill bit, drill pilot holes in the center locations of the marks made in Step 2.

**Step 4:** Drill 3/8" grille mounting holes in the locations of the pilot holes made in Step 3.

**Step 5:** Use an adhesive in the holes to secure the bars.

**Step 6:** Insert bars with a rubber mallet.

**This completes the installation.**

*Note: To touch-up the finish of the bars, rub a Scotch Brite pad across the bars in the same direction as the original "brush" marks. Rubbing the pad on the poles in a different direction will alter the original finish.*

Figure 1

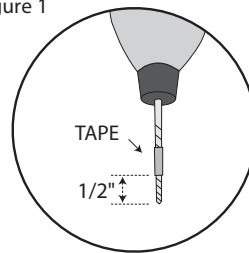


Figure 2

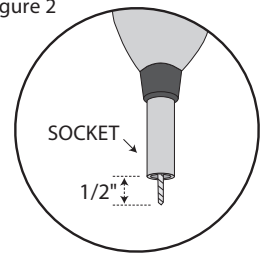
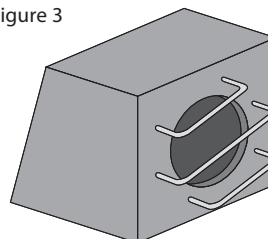
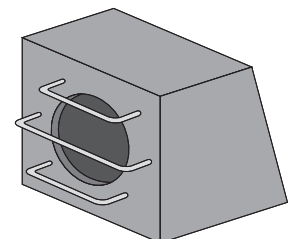


Figure 3



Bars at angle



Bars straight