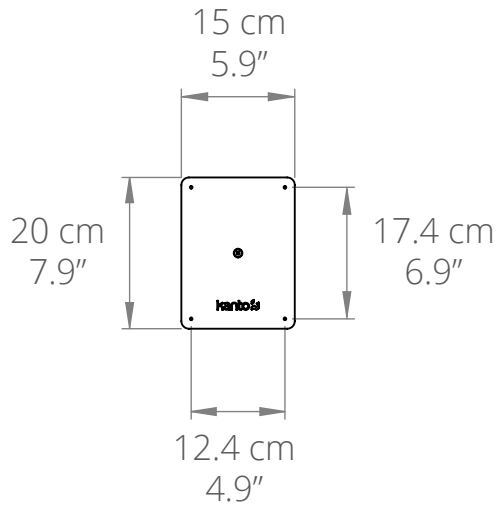


Top Plate



Bottom Plate

