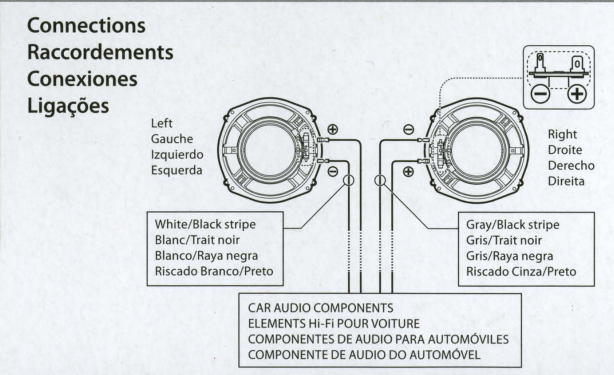
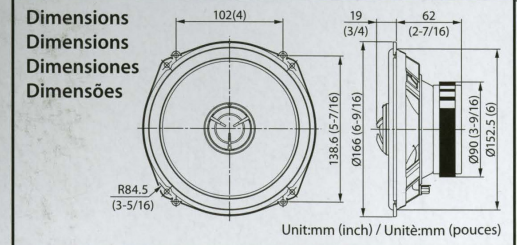
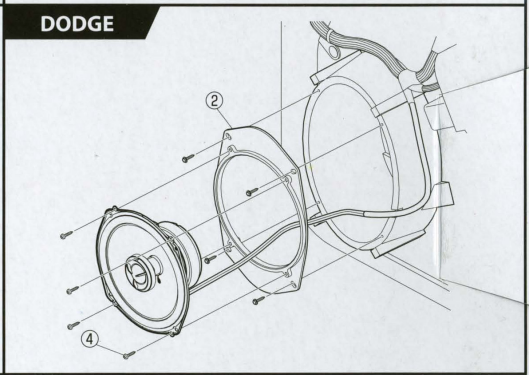
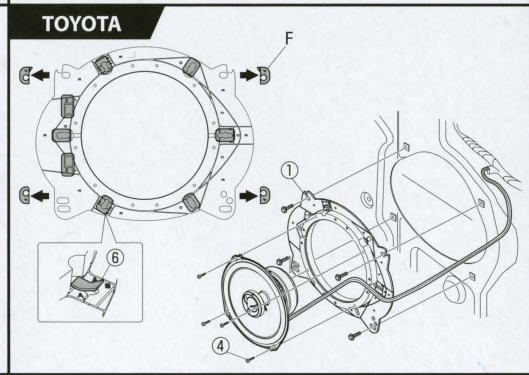
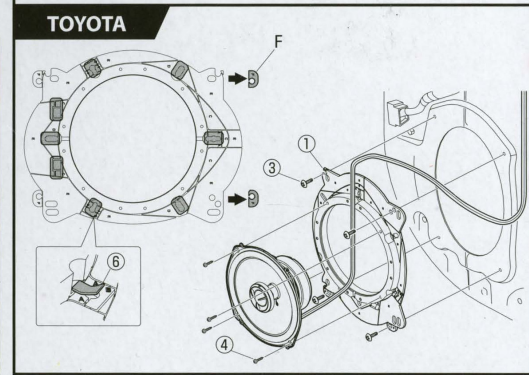
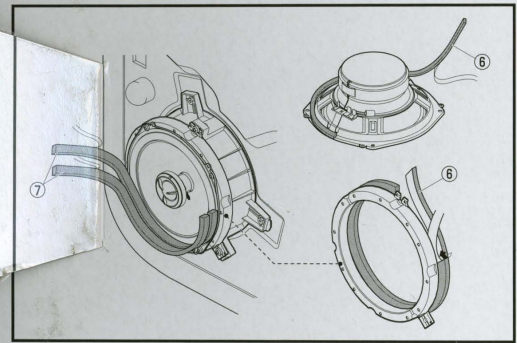
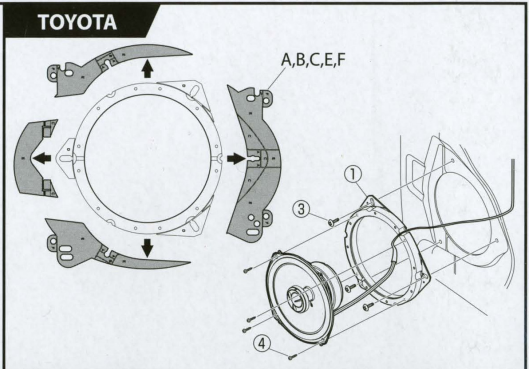
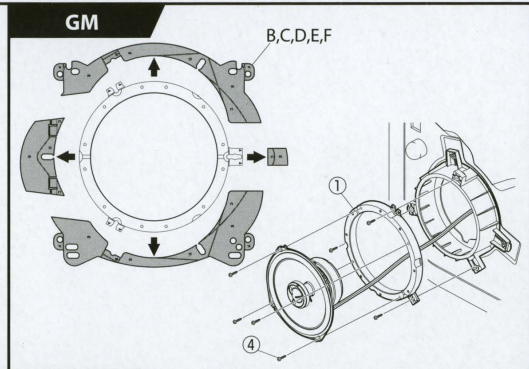
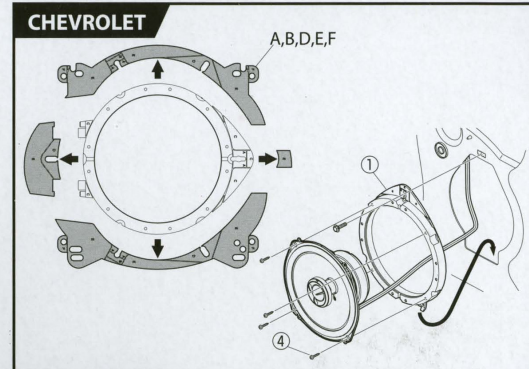




CUSTOM FIT SPEAKER  
HAUT-PARLEUR PERSONNALISÉS  
**KFC-X183C**  
INSTALLATION INSTRUCTIONS  
PROCÉDURES D'INSTALLATION

Installation Installation Instalación Instalação



- Parts included**  
Pieces comprises  
Partes incluidas  
Peças inclusas
- |   |              |   |                     |
|---|--------------|---|---------------------|
| ① | .....x2      | ⑤ | 0.3 m (1 ft).....x2 |
| ② | .....x2      | ⑥ | .....x1             |
| ③ | M6x20.....x8 | ⑦ | .....x1             |
| ④ | Ø4x12.....x8 |   |                     |

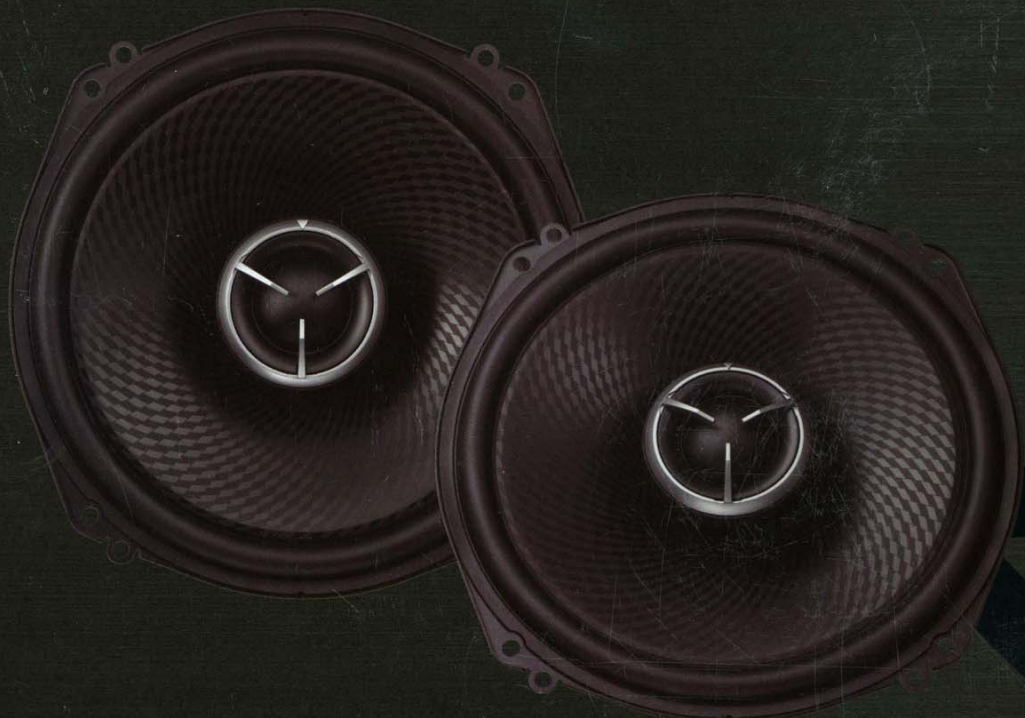
- Do not use the provided speaker cords for other purposes (such as a power cord). Otherwise malfunction or fire hazard could result.
- Ne pas utiliser les cordons de liaison aux enceintes pour une destination autre que celle prévue (par exemple, pour alimenter un appareil). Faute de quoi, un défaut de fonctionnement ou un incendie pourraient en résulter.
- No utilize los cables de altavoces suministrados para otros propósitos (tales como los de un cable de alimentación). Si no, podrían producirse averías o peligros de incendio.
- Não utilize os fios fornecidos para altifalantes para outros propósitos (p.ex. como cabo de alimentação). Caso contrário, poderá resultar em mau funcionamento ou risco de incêndio.

Kenwood Corporation Tokyo 192-8525 Japan  
Designed and Engineered in Japan / Design et Conception au Japon  
Made in Malaysia / Fabriqué en Malaisie  
VOLUME 0.0222 m<sup>3</sup>/0.79 ft<sup>3</sup> WEIGHT/POIDS 3.1 kg/6.8 lb



# KENWOOD

PEAK POWER **280W**



## Custom Fit Speaker KFC-X183C

**80W**  
RMS POWER

OVER SIZED  
DIAPHRAGM

DIAMOND ARRAY  
PATTERN

■ Haut-parleurs personnalisés

### Included

- 6 X 9 Speaker Bracket
- GM / CHEVROLET / TOYOTA Speaker Bracket  
(Speaker Bracket for GM / CHEVROLET / TOYOTA Vehicles)

### Inclus

- Adaptateur de haut-parleur 6 X 9
- Adaptateur de haut-parleur GM / CHEVROLET / TOYOTA  
(Adaptateur de haut-parleur pour les véhicules GM ,  
CHEVROLET et TOYOTA)

# excelon

For Your / Pour Votre

■ GM ■ CHEVROLET ■ DODGE ■ TOYOTA

# KENWOOD

PEAK POWER **280W**



## excelon

Custom Fit Speaker

- Carbon-PP Cone with Diamond Array Pattern
- Over Sized Diaphragm
- Haut-parleurs personnalisés

**80W**  
RMS POWER



### Included

- 6 X 9 Speaker Bracket
- GM / CHEVROLET / TOYOTA Speaker Bracket  
(Speaker Bracket for GM / CHEVROLET / TOYOTA Vehicles)

### SPECIFICATIONS

- Speakers
  - Woofers..... Oversized 160 mm (6-1/2 in.) Cone
  - Tweeter..... 25 mm (1 in.) Dome
- 80 Watts RMS
- Impedance..... 4 Ω
- Sensitivity..... 87 dB / W at 1 m
- Frequency Response..... 63 Hz - 17,000 Hz
- Cutout Diameter..... 6 in. (15.3 cm) Circle
- Mounting Depth..... 2-7/16 in. (6.2 cm)

For Your ■ GM ■ CHEVROLET ■ DODGE ■ TOYOTA

1 pair



## IMPORTANT SAFETY INSTRUCTIONS

 **CAUTION** To avoid the risk of human injury or property damage, be sure to read and observe the following safety cautions.

**Have a specialist install and connect the speaker.** — Incorrect installation may lead to vehicle accident or malfunction.

**Avoid unstable installation.** — Make sure that the speaker will not rattle or displace. Otherwise, a displaced speaker may cause injury.

**Do not modify the speaker.** — Otherwise, smoke or fire may result.

**Do not touch the speaker.** — The speaker becomes hot after extended operation. Touching it in such a condition may cause burns.

**Control listening volume at an optimum level.** — If the sound outside the vehicle is inaudible, a traffic accident may result.

**In case of abnormality, stop the use and disconnect the speaker.** — If operation is continued, smoke or fire may result. Disconnect the speaker and ask servicing.

## CONSIGNES DE SÉCURITÉ IMPORTANTES

 **ATTENTION** Pour éviter les risques de blessures ou de dommages matériels, prière de lire les consignes de sécurité suivantes et d'en tenir compte.

**Le haut-parleur doit être installé et raccordé par un spécialiste.** — Un accident de la route ou un dysfonctionnement peut être causé par une mauvaise installation.

**L'installation doit être stable.** — S'assurer que le haut-parleur ne vibre pas et ne bouge pas. Un haut-parleur mal fixé peut causer des blessures.

**Ne pas modifier le haut-parleur.** — Sinon de la fumée ou un incendie pourrait se produire.

**Ne pas toucher le haut-parleur.** — Le haut-parleur est chaud après une longue période de fonctionnement. Il peut alors causer de brûlures.

**Régler le volume à un niveau optimal.** — Un accident de la route peut se produire si les sons extérieurs au véhicule ne sont pas audibles.

**En cas d'anomalie, cesser d'utiliser le haut-parleur et le débrancher.** — Sinon de la fumée ou un incendie peut se produire. Débrancher le haut-parleur et le faire réparer.









The warranty will only be honoured in the country in which the unit was originally purchased.

## EXPRESS WARRANTY STATEMENT FOR CAR STEREO AND PERSONAL AUDIO COMPONENTS

KENWOOD ELECTRONICS AUSTRALIA PTY. LTD. is proud of the quality and workmanship of its audio equipment. This unit has been properly designed, tested and inspected before it was shipped to you. If properly installed and operated in accordance with instructions furnished, it should give optimum reliable performance.

### SCOPE OF EXPRESS WARRANTY

Each of the KENWOOD brand products is expressly warranted under normal installation and use against defects in material and workmanship. During the express warranty period, KENWOOD ELECTRONICS AUSTRALIA PTY. LTD. will provide to any KENWOOD Authorised Service Centre in Australia free of charge both parts and labour necessary to correct any defect in material or workmanship. However, the exclusions noted under the heading "CONDITIONS OF THE EXPRESS WARRANTY" are not covered by this express warranty.

### EXPRESS WARRANTY PERIOD

The KENWOOD brand car stereo and personal audio components are expressly warranted for a period of **ONE YEAR** from the date of the original purchase.

### CONDITIONS OF THE EXPRESS WARRANTY

When requesting service under KENWOOD express warranty record, together with a valid purchase docket must be presented to an authorised KENWOOD Service Centre with your equipment.

The following are not covered by this express warranty:

1. Voltage conversions.
2. Cabinets, grilles, other exterior finishes, belts, tape heads, and other non-durable parts and accessories.
3. Any fault caused by faulty installation, water damage, the vehicle (including its electrical system) or connection to an incorrect power supply.
4. Periodic check-ups which do not disclose any defects covered by the warranty.
5. Units on which the serial number has been defaced, modified or removed.
6. Damage or deterioration:
  - a. Resulting from installation and/or removal of the product.
  - b. Resulting from accident, misuse, abuse, neglect, unauthorised product modification or failure to follow instructions contained in the Owner's Manual.
  - c. Resulting from repair by anyone not authorised by KENWOOD.
  - d. Resulting from installation of parts or accessories that do not conform to the quality or specifications of the original parts or accessories.
  - e. Occurring during shipment (claims must be presented to shipper).
7. Damaged magnetic tapes.
8. Installation and removal charges are not covered.
9. This express warranty excludes shipping or delivery charges to or from an authorised KENWOOD Service Centre.
10. The benefits conferred by this express warranty are in addition to all other rights and remedies in respect of the product which the consumer has under the Trade Practices Act and/or other State or Territory Laws.

### EXCLUSION OF CERTAIN DAMAGES

KENWOOD's liability for any defective product is limited to the repair or replacement of said product at our option, and shall not include damages of any kind, whether incidental, consequential or otherwise.

### PROCEDURE WHEN REQUESTING SERVICE UNDER THE WARRANTY

1. Make your equipment available, with this warranty record and purchase docket attached, to the dealer from whom you made the purchase, or the nearest authorised KENWOOD Service Centre, or ship your equipment in its original packaging, or equivalent, fully insured and shipping charges pre-paid, to the authorised KENWOOD Service Centre.
2. Attach detailed description of the problem encountered, including details of any interconnections made to associated equipment.
3. Make sure you recover this card, your purchase docket and repair docket when accepting the equipment back after repair.

### IMPORTANT NOTICE

1. Proper maintenance and use are important to the performance level of all KENWOOD brand products. Therefore, you should read your instruction manual.
2. Retain your purchase docket together with this warranty record in a safe place, and present them both to prove your eligibility for warranty work.
3. We recommend that you keep all the original packaging as it provides the best protection you can have for transportation of your equipment in the future.
4. Location of nearest KENWOOD Service Centre will be sent upon request.
5. This warranty is in addition to and not in place of such rights at the owner may have at law.

KENWOOD ELECTRONICS AUSTRALIA PTY. LTD.  
16 GIFFNOCK AVENUE, CENTRECOURT ESTATE, NORTH RYDE,  
N.S.W. 2113, AUSTRALIA  
TEL. (02) 8879-2222  
FAX. (02) 8879-2233

### ATTENTION

This card and receipt (or invoice) are necessary to purchase a new panel in case of theft or damage.

The warranty will only be honoured in the country in which the unit was originally purchased.

## EXPRESS WARRANTY STATEMENT FOR CAR STEREO AND PERSONAL AUDIO COMPONENTS

KENWOOD ELECTRONICS (MALAYSIA) SDN. BHD. is proud of the quality and workmanship of its audio equipment. This unit has been properly designed, tested and inspected before it was shipped to you. If properly installed and operated in accordance with instructions furnished, it should give optimum reliable performance.

### SCOPE OF EXPRESS WARRANTY

Each of the KENWOOD brand products is expressly warranted under normal installation and use against defects in material and workmanship. During the express warranty period, KENWOOD ELECTRONICS (MALAYSIA) SDN. BHD. will provide to any KENWOOD Authorised Service Centre in Malaysia free of charge both parts and labour necessary to correct any defect in material or workmanship. However, the exclusions noted under the heading "CONDITIONS OF THE EXPRESS WARRANTY" are not covered by this express warranty.

### EXPRESS WARRANTY PERIOD

The KENWOOD brand car stereo and personal audio components are expressly warranted for a period of **ONE YEAR** from the date of the original purchase.

### CONDITIONS OF THE EXPRESS WARRANTY

When requesting service under KENWOOD express warranty record, together with a valid purchase docket must be presented to an authorised KENWOOD Service Centre with your equipment.

The following are not covered by this express warranty:

1. Voltage conversions.
2. Cabinets, grilles, other exterior finishes, belts, tape heads, and other non-durable parts and accessories.
3. Any fault caused by faulty installation, water damage, the vehicle (including its electrical system) or connection to an incorrect power supply.
4. Periodic check-ups which do not disclose any defects covered by the warranty.
5. Units on which the serial number has been defaced, modified or removed.
6. Damage or deterioration:
  - a. Resulting from installation and/or removal of the product.
  - b. Resulting from accident, misuse, abuse, neglect, unauthorised product modification or failure to follow instructions contained in the Owner's Manual.
  - c. Resulting from repair by anyone not authorised by KENWOOD.
  - d. Resulting from installation of parts or accessories that do not conform to the quality or specifications of the original parts or accessories.
  - e. Occurring during shipment (claims must be presented to shipper).
7. Damaged magnetic tapes.
8. Installation and removal charges are not covered.
9. This express warranty excludes shipping or delivery charges to or from an authorised KENWOOD Service Centre.
10. The benefits conferred by this express warranty are in addition to all other rights and remedies in respect of the product which the consumer has under Sales of Goods Act 1957 (Revised 1989).

### EXCLUSION OF CERTAIN DAMAGES

KENWOOD's liability for any defective product is limited to the repair or replacement of said product at our option, and shall not include damages of any kind, whether incidental, consequential or otherwise.

### PROCEDURE WHEN REQUESTING SERVICE UNDER THE WARRANTY

1. Make your equipment available, with this warranty record and purchase docket attached, to the dealer from whom you made the purchase, or the nearest authorised KENWOOD Service Centre, or ship your equipment in its original packaging, or equivalent, fully insured and shipping charges pre-paid, to the authorised KENWOOD Service Centre.
2. Attach detailed description of the problem encountered, including details of any interconnections made to associated equipment.
3. Make sure you recover this card, your purchase docket and repair docket when accepting the equipment back after repair.

### IMPORTANT NOTICE

1. Proper maintenance and use are important to the performance level of all KENWOOD brand products. Therefore, you should read your instruction manual.
2. Retain your purchase docket together with this warranty record in a safe place, and present them both to prove your eligibility for warranty work.
3. We recommend that you keep all the original packaging as it provides the best protection you can have for transportation of your equipment in the future.
4. Location of nearest KENWOOD Service Centre will be sent upon request.
5. This warranty is in addition to and not in place of such rights at the owner may have at law.

KENWOOD ELECTRONICS (MALAYSIA) SDN. BHD.  
#4.01 LEVEL 4, WISMA ACADEMY, LOT 4A, JALAN 19/1, 46300 PETALING JAYA,  
SELANGOR, MALAYSIA  
TEL. (03) 7956-8333  
FAX. (03) 7954-1233

### ATTENTION

This card and receipt (or invoice) are necessary to purchase a new panel in case of theft or damage.

O fabricante garante o produto identificado na Nota Fiscal de venda ao consumidor contra qualquer defeito de fabricação ou de matéria-prima durante o período de garantia. Esta garantia é válida no território brasileiro, condicionado ao uso correto do aparelho conforme o manual de instruções.

### PERÍODO DE GARANTIA

Este produto é garantido pelo prazo de 01 (um) ano, incluindo o período estabelecido por lei, a partir da data de aquisição, comprovada mediante a apresentação da respectiva Nota Fiscal de venda ao consumidor final. Eventuais reparos realizados no produto durante o período de garantia não implicam na dilatação do seu prazo.

### EXCLUSÃO DA GARANTIA

- (a) Produtos com o número de série ou certificado de garantia rasurados, adulterados ou ilegíveis;
- (b) Defeitos resultantes de acidentes (quedas, batidas e etc), uso em desacordo com o manual de instruções, má utilização, ligação à fonte de tensão diferente da especificada no Manual de Instruções, modificações não autorizadas;
- (c) Danos causados por agentes da natureza (Ex: Chuvas, raios, maresia, enchentes e etc);
- (d) Defeitos ou danos em decorrência de consertos realizados por pessoas não autorizadas;
- (e) Defeitos ou danos resultantes do uso de peças ou dispositivos não conformes às especificações da Kenwood;
- (f) Danos ou deteriorações aos acabamentos externos, partes cosméticas, cabos, adaptadores, antenas, fitas, caixas gravadoras, CDs ou danos causados por pilhas defeituosas ou com vazamento;
- (g) Defeitos ou danos devido ao transporte (reclamações devem ser feitas junto à empresa transportadora);
- (h) Qualquer outra causa que não esteja relacionada a defeitos de matéria-prima e de fabricação;
- (i) Danos causados por tentativa de roubo ou furto;
- (j) Danos causados por uso de CDs de má qualidade.

### CONSERVO EM GARANTIA

É indispensável a apresentação deste Certificado de Garantia devidamente preenchido, acompanhado da respectiva Nota Fiscal de compra do produto.

### O QUE NÃO É COBERTO PELA GARANTIA

Instalação e remoção do produto, despesas de frete, seguro e embalagem são de responsabilidade do proprietário.

KENWOOD ELECTRONICS BRASIL LTDA.  
Tel: 0800-7717270  
www.kenwood.com.br

### ATENÇÃO

Em caso de dano ou perda do painel frontal, este Certificado de Garantia e a Nota Fiscal de compra serão requisitados para a aquisição de um novo painel.

### Уважаемый покупатель!

Благодарим Вас за покупку этого изделия марки Kenwood и надеемся, что оно Вам понравится. В случае, если Ваше изделие будет нуждаться в гарантийном обслуживании, пожалуйста, обращайтесь в Авторизованные Сервисные Центры Kenwood (далее АЦЦ) или в магазин, где Вы приобрели изделие Kenwood. Список сервисных центров можно получить у продавца или на сайте <http://www.kenwood-rus.ru/support/service/>

Данный гарантийный талон действителен только в той стране, где изначально был куплен аппарат. Настоящая гарантия будет предоставлена в дополнение к правам потребителя и не уменьшает никакие другие права, которые могут быть предоставлены покупателю законом о защите прав потребителей и другими соответствующими законами.

Без предъявления настоящего гарантийного талона мы не сможем обеспечить гарантийное обслуживание. Просим Вас сохранять Ваш сертификат вместе с чеком покупки на весь период гарантийного обслуживания.

На основании этой потребительской гарантии Kenwood гарантирует отсутствие в изделии дефектов в материалах и работе сроком на 1 (один) год, начиная с даты первоначальной покупки. Если в течение этого гарантийного срока в изделии обнаружатся дефекты в материалах или работе, АЦЦ Kenwood бесплатно отремонтирует это изделие и заменит его дефектные части на приведенных ниже условиях. Также мы оставляем за собой право замены изделия, если его ремонт экономически нецелесообразен.

### Гарантийные условия

A. Ремонт дефектного изделия осуществляется по предъявлению потребителем четко, правильно и полностью заполненного гарантийного талона, с внесенными в него следующие данные:

- (a) Фамилии и адреса покупателя;
- (b) Полного названия и адреса дилера у кого был приобретен аппарат;
- (c) Наименования модели и серийного номера аппарата;
- (r) А также кассового и товарного чека или любого другого документа, подтверждающим покупку изделия. Без предъявления данного талона, в случае отсутствия в нем полной информации или при наличии каких-либо изменений в талоне, претензии к качеству изделия не принимаются и гарантийный ремонт не производится.

Б. Фирма Kenwood уделяет большое внимание качеству выпускаемой продукции. При использовании ее для личных (бытовых) нужд с соблюдением правил эксплуатации срок ее службы может значительно превзойти официальный срок службы, установленный в соответствии с действующим законодательством о правах потребителей. Адаптация и изменения с обчной сферы применения изделия, указанной в инструкции по эксплуатации настоящей гарантией не покрываются.

C. Настоящая гарантия не распространяется на следующее:

- (a) ремонт предусмотрен Инструкцией по эксплуатации или является частью обычного технического обслуживания, включая периодические проверки, чистку аудио/видео головок;
- (b) ремонт, произведенный не уполномоченными на то сервисными центрами или другими лицами или организациями не имеющих юридических полномочий производить ремонт;
- (c) изделие вошло из строя в результате механического повреждения, воздействия на него домашних животных или насекомых, некачественной установки или неправильного использования;
- (r) повреждение изделия вызванное несчастным случаем, механическим повреждением, ударом молнии, затоплением, пожаром, неправильной вентиляцией, колебаний напряжения и иных причин, находящихся вне контроля Kenwood;
- (d) громкоговорители поврежденные колебанием напряжения не соответствующим спецификации, и повреждения или потеря программного обеспечения или съемных носителей, не являющихся частью изделия Kenwood;
- (e) расходные материалы нуждающиеся в замене, такие как (но не ограничивается): аудио/видео головки, все виды батарей, шнуры, разъемов и прочих деталей, обладающих ограниченным сроком использования;
- (k) если серийный номер или номер модели на изделии изменен, удален, стерт или неразборчив.

Настоящая гарантия распространяется только на официально поставляемые изделия.

Настоящая гарантия действительна только для изделий используемых для личных бытовых нужд, и не распространяется на изделия, которые используются для коммерческих, промышленных или профессиональных целей.

ООО «КЕНВУД ЭЛЕКТРОНИКС СНГ»  
www.kenwood-rus.ru

### ВНИМАНИЕ

Гарантийный талон и чек (товарный или кассовый) необходимы для приобретения новой панели в случае ее потери/кражи или повреждения.