

KENWOOD

KCA-RC55MR

REMOTE CONTROL UNIT

INSTRUCTION MANUAL

UNITÉ DE TÉLÉCOMMANDE

MODE D'EMPLOI

UNIDADE DE CONTROLO REMOTO

MANUAL DE INSTRUÇÕES

JVC KENWOOD Corporation

US Residents Only

Register Online

Register your Kenwood product at www.Kenwoodusa.com

© 2012 JVC KENWOOD Corporation

English

Function and Operation

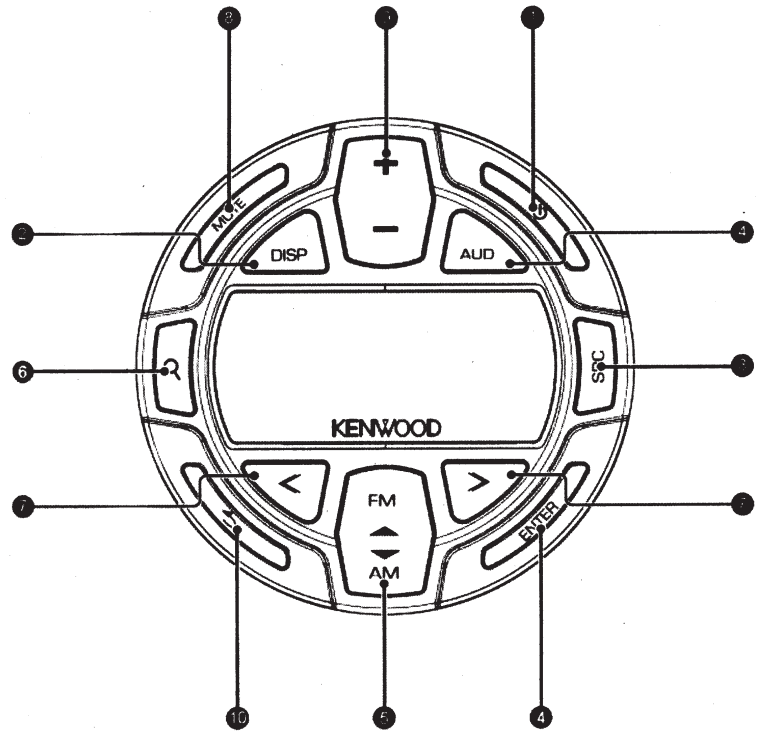
- ID should be registered for this unit when connecting this unit to the receiver.
- For details on how to register ID, refer to <Remote control ID setup> in the receiver instruction manual.

When connecting a receiver other than KMR-700U, KMR-550U, KMR-555U:

- When this unit is connected to the receiver, "ID SET REGIST" appears. Press the [ENTER] button after above message appeared. "ID SET ID1 OK" appears when the setting is completed.
- You can control only the front or rear side with this unit when the dual zone function of the receiver is active. By default, the front side can be controlled. To switch to the rear side, refer to <Dual Zone control setup> in the receiver instruction manual. (KMR-700U only)
- You must wait 1 to 2 seconds after the system powers on before the remote can be operated.

Button Function

- [] button**
Turns ON and OFF each time this button is pressed.
- [DISP] button**
Enters the Display setting mode.
For details, refer to <Display Setup> (Set up instructions on line). Pressing the button for at least 1 second scrolls text across the screen.
- [SRC] button**
Pressing the button switches source.
For details on the switching order of sources, refer to the receiver instruction manual.
- [AUD] button**
Enters the Audio control mode.
 - Selection of item Press the [AUD] then use [FM/AM] to scroll up or down. Select the audio source you wish to adjust then press the [ENTER] button.
 - To Adjust the item Press the [FM/AM] button to adjust up or down.
 - To exit Audio Control mode press the [AUD] button.
 - Pressing the [AUD] button for at least 1 second exits the Audio setup mode.
- [FM/AM] button**
Tuner/Satellite radio: Selects the band.
iPod/USB: Selects folder.
- [] button**
Enters the Search mode.
"SRCH/FAV" is displayed. (KMR-700U)
"SEARCH" or "Preset LIST" is displayed. (KMR-550U,555U)
 - When this unit is connected to KMR-700U, pressing the [] button again switches to the Favorite mode and pressing the [+] or [-] button to the Music Search mode.
 - When this unit is connected to KMR-550U, the Music Search mode is selected. To cancel the Search mode, press the [] button for at least 1 second.
- [< >] button**
Tuner/Satellite radio: station /channel.
CD Search next or back.
iPod/USB: Selects music.
- [MUTE] button**
Reduces the volume.
When the button is pressed again, the volume returns to the previous level.
Pressing the button for at least one second pauses a song being played. Pressing again for at least one second resumes the song.
- [+ -] button**
Adjusts the volume.
- [] button**
Return. (KMR-550U,555U)



For remote setup information please refer to

http://www.Kenwoodusa.com/car_entertainment/marine/

Before Installation

- KMR-700U, KMR-555U: Up to three KCA-RC55MRs can be connected.
- KMR-550U: Up to two KCA-RC55MRs can be connected.
- KMR-440U: Only a single KCA-RC55MR can be connected.
- Mounting and wiring this product requires skills and experience. For safety's sake, leave the mounting and wiring work to professionals.

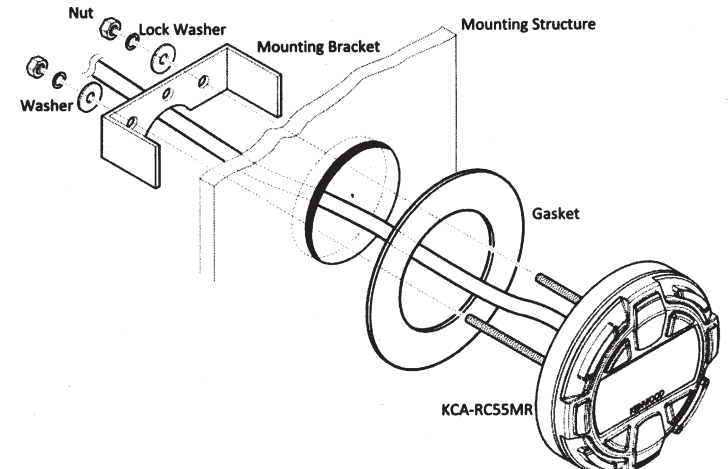
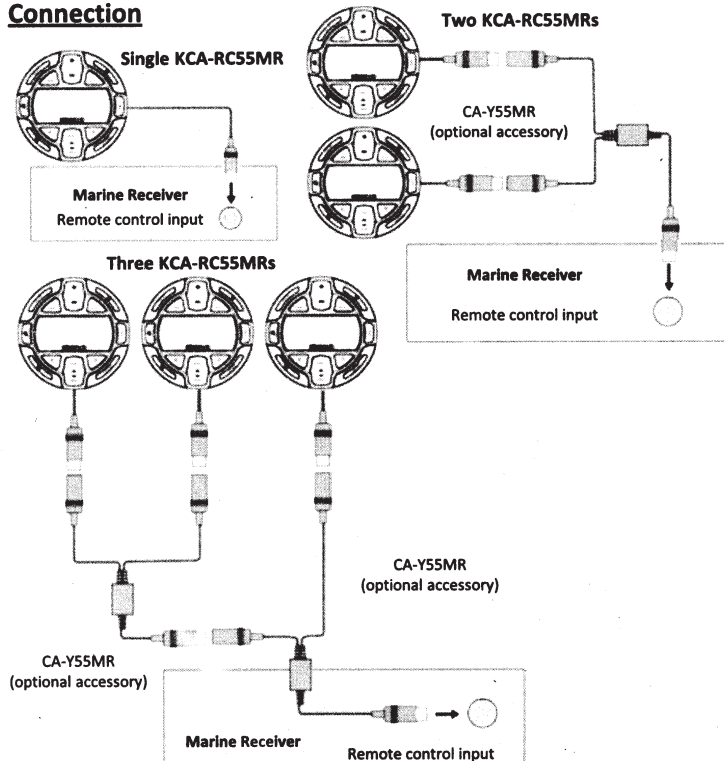
- Do not install the unit in a spot exposed to direct sunlight or excessive heat or humidity.
- Do not use your own screws. Use only the screws provided. If you use the wrong screws, you could damage the unit.
- After installing the unit, check to make sure that electrical equipment such as the signal lamps and gauges operate normally.

Installation

Install the KCA-RC55MR as shown in the figure below.

- You can use the extension cable CA-EX7MR (7m) or CA-EX3MR (3m) to extend the wiring cable up to 15 meters, if the installation positions of the receiver and KCA-RC55MR are long distance apart.

Connection



FCC WARNING:

This equipment may generate or use radio frequency energy. Changes or modifications to this equipment may cause harmful interference unless the modifications are expressly approved in the instruction manual. The user could lose the authority to operate this equipment if an unauthorized change or modification is made.

NOTE:

This equipment has been tested and found to comply with the limits for a Class B digital device, pursuant to Part 15 of the FCC Rules. These limits are designed to provide reasonable protection against harmful interference in a residential installation. This equipment may cause harmful interference to radio communications, if it is not installed and used in accordance with the instructions. However, there is no guarantee that interference will not occur in a particular installation.

If this equipment does cause harmful interference to radio or television reception, which can be determined by turning the equipment off and on, the user is encouraged to try to correct the interference by one or more of the following measures:

- Reorient or relocate the receiving antenna.
- Increase the separation between the equipment and receiver.
- Consult the dealer or an experienced radio technician for help.

THIS DEVICE COMPLIES WITH PART 15 OF THE FCC RULES. OPERATION IS SUBJECT TO THE FOLLOWING TWO CONDITIONS: (1)THIS DEVICE MAY NOT CAUSE HARMFUL INTERFERENCE, AND (2)THIS DEVICE MUST ACCEPT ANY INTERFERENCE RECEIVED, INCLUDING INTERFERENCE THAT MAY CAUSE UNDESIRED OPERATION.

NOTICE:

This Class B digital apparatus complies with Canadian ICES-003.

REMARQUE:

Cet appareil numérique de la classe B est conforme à la norme NMB-003 du Canada.

This white paper explains how to connect a Kenwood KCA-RC55MR to a compatible receiver.

Step 1: Press [SRC] and select [STANDBY] by using the [Control] knob and then Press [Control] to enter function setting mode.



Step 2: Select [Initial Settings] then [Remote Settings] then [Remote ID Set] using the [Control] knob.
A remote control ID list is displayed. "Yes" indicates that this ID is already registered. "No" indicates that this ID is available.



Step 3: Press [Control] knob on desired ID.
"Registering..." appears.



Step 4: Register the remote control ID for each remote:

Button on the remote control	Remote control ID
[ENTER]	Registers ID1.
[SRC]	Registers ID2.
[DISP]	Registers ID3.



ID#Set: Completed appears on the receiver when corresponding button on remote has been pressed .

You **MUST** exit out of the menu and repeat the above steps in between programming each remote.

You may register up to 3 remotes.

Step 5: *Exiting from the Function setting mode:*

Press and hold the back button on the receiver.

