

**KICKER**<sup>®</sup>

**HS10**  
**POWERED SUB**  
**ENCLOSURE**  
*Owner's Manual*

**Hideaway**<sup>™</sup>

Manual del Propietario | **Español**  
SUBWOOFER AUTOAMPLIFICADO

Benutzerhandbuch | **Deutsch**  
AKTIVSUBWOOFER GEHÄUSE

Manuel d'utilisation | **Française**  
CAISSON DE GRAVES ACTIF

**MODEL: HS10**

Authorized KICKER Dealer: \_\_\_\_\_  
Purchase Date: \_\_\_\_\_  
Model Number: \_\_\_\_\_  
Serial Number: \_\_\_\_\_

The ultra-compact KICKER Hideaway™ Enclosure offers the quickest and easiest way to add a subwoofer to your vehicle, providing signature KICKER bass in a small enclosure. This system has been meticulously fine-tuned by KICKER engineers to deliver astounding performance and sound without the time-consuming setup required for a typical amp-sub upgrade.

### SPECIFICATIONS

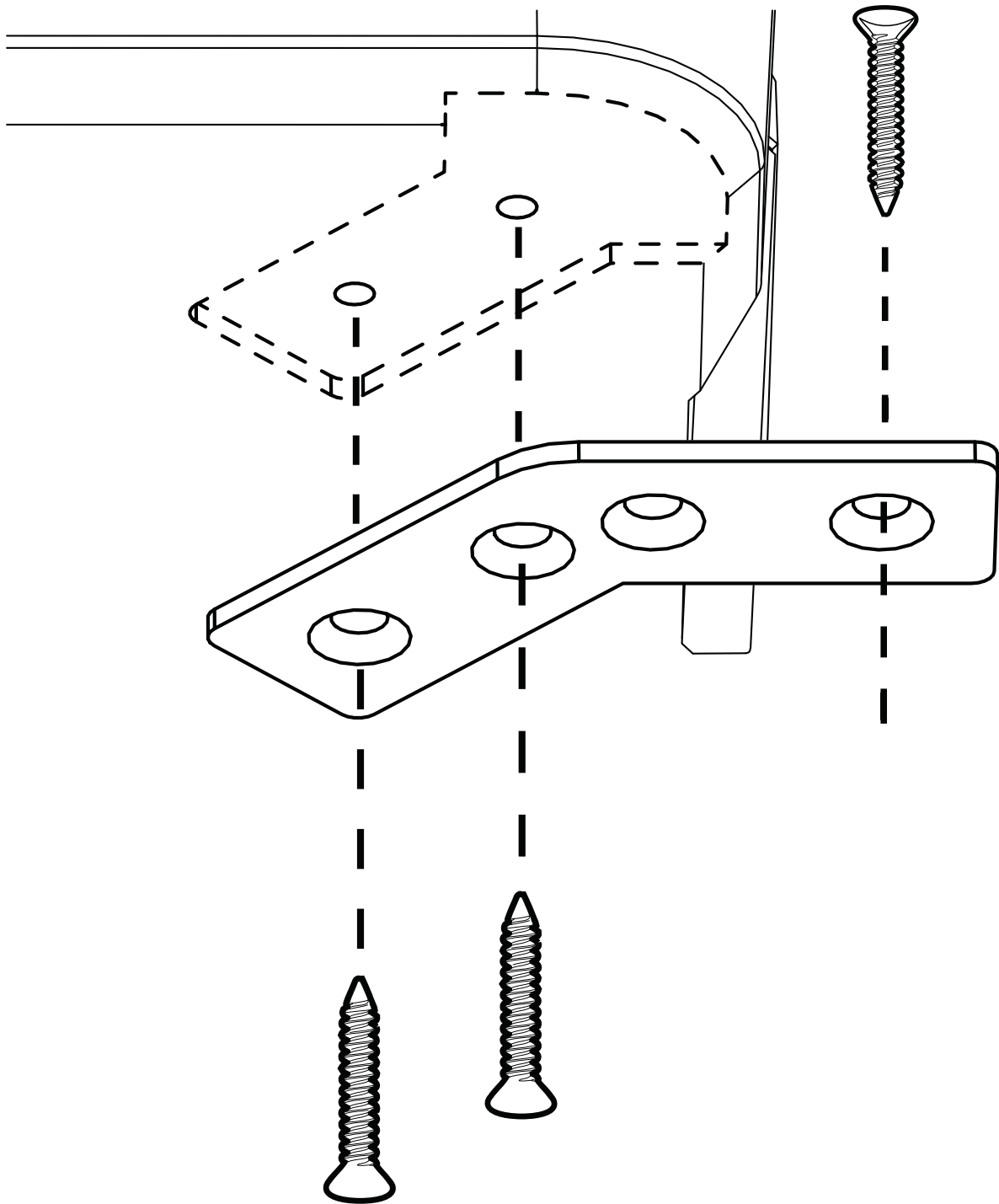
<b>Model:</b>	<b>HS10</b>
Subwoofer [in, cm]	10", 25
Continuous Power Handling [Watts RMS]	180W
Frequency Response [Hz]	25Hz–120Hz
Electronic Crossover	18dB/octave Lowpass 50–120Hz; 24dB/octave Highpass @ 25Hz
Phase Switch	0° / 180°
Input Sensitivity	Low Level: 250mV–10V High Level: 1V–40V
KickEQ™ Bass Boost	Variable to +6dB @ 40Hz
Remote Bass Level Control	Included
Start-Stop Compatible	Yes
Net weight [lbs., kg]	11.4, 5.2
Height [inches, cm]	3-1/8, 8.1
Width [inches, cm]	10-3/8, 26.3
Depth [inches, cm]	14, 35.4

**Note:** All specifications and performance figures are subject to change. Please visit [www.kicker.com](http://www.kicker.com) for the most current information.

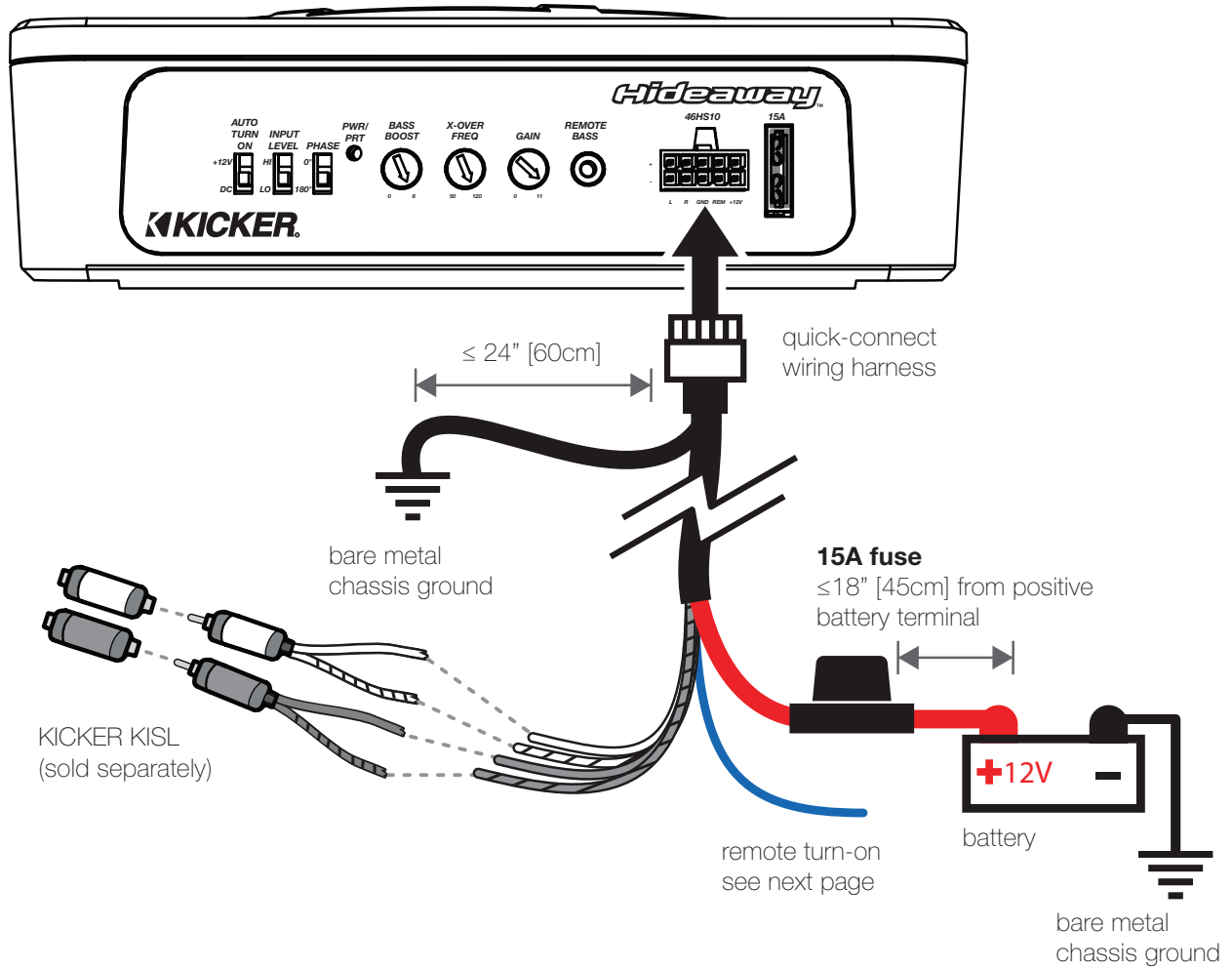
### INSTALLATION

**Mounting:** Choose a structurally sound location to mount your KICKER powered subwoofer enclosure. Make sure the mounting screws will not puncture the gas tank/brake lines/wiring or interfere with any mechanical parts on the underside of the mounting surface. Choose a location that allows at least 4" (10cm) of open ventilation for the amplifier. If possible, mount the enclosure in the climate-controlled passenger compartment.

Mount the brackets to the bottom of the enclosure using the supplied smaller screws. Securely attach the enclosure to the vehicle with the supplied larger screws.



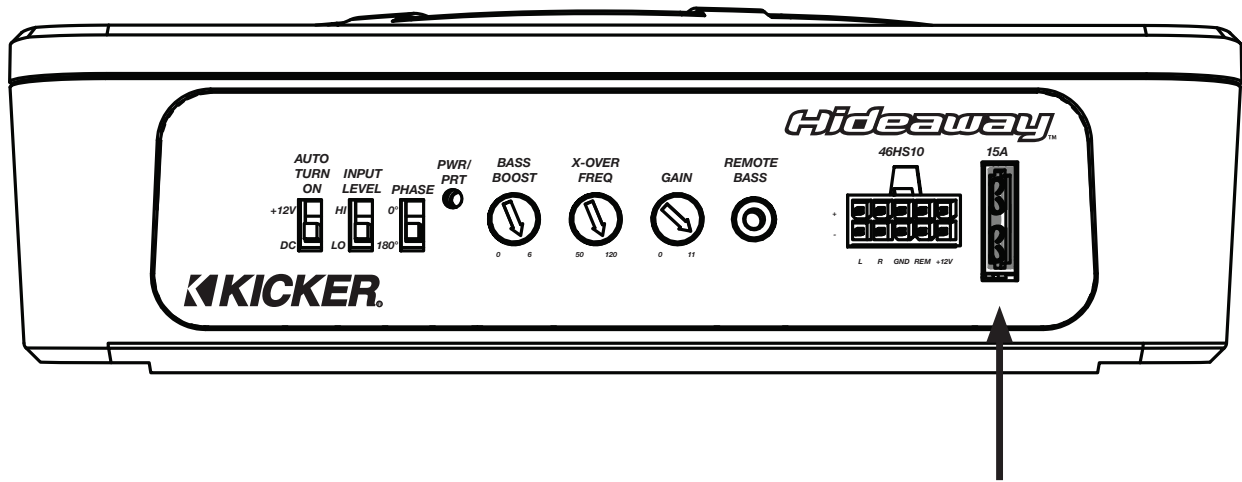
**Wiring:**



**Observe the polarity of input connections to avoid signal loss.**  
 Use the KICKER KISL for source units with RCA outputs or splice the quick-connect harness leads directly to your source unit's speaker-level outputs.  
**Do not use a Line Output Converter with the HS10.**

**quick-connect wiring harness audio inputs:**

White	Left +
White/Black	Left -
Grey	Right +
Grey/Black	Right -



## Fuse 15 Amperes

**Automatic Turn-On Selection:** KICKER powered enclosures offer two different automatic turn-on modes that can be selected on the side panel; +12V and DC Offset. Using the DC Offset mode causes the REM terminal to have +12V out for turning on additional amplifiers.

- Remote Turn-On: Set the switch to +12V to use the remote turn-on lead from your source unit. Run 18 gauge wire from the Remote Turn-On Lead on your source unit to the terminal labeled REM on the quick-connect wiring harness.
- DC Offset Turn-On: If Remote Turn-On is not an option, the next best setting is DC Offset. The DC Offset mode detects a DC offset from the HI-Level speaker outputs when the source unit has been turned on.

**Phase Switch:** The phase switch lets you invert the phase of the signal played through your powered subwoofer. This is useful if the speakers in your system are out of phase with the subwoofer. Toggle this switch to find the position that gives you the best bass response.

**Input Level:** The inputs on KICKER powered enclosures are capable of receiving either Hi (speaker-level) or Low-level (RCA) signals from your source unit. Set the Input Level switch on the side panel to match the outputs of your source unit.

**Crossover Control:** The variable crossover on the side panel allows you to adjust the crossover frequency from 50–120Hz. The setting for this control is subjective; 80Hz is a good place to start.

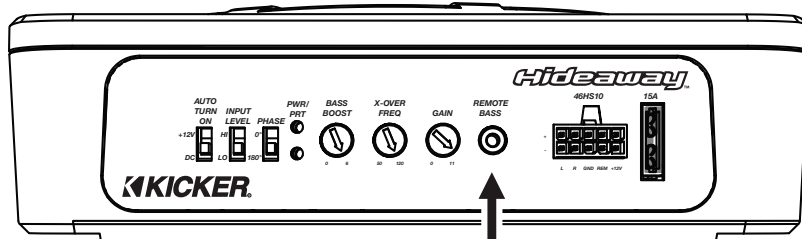
**Input Gain Control:** The input gain control is not a volume control. It matches the output level of the source unit to the input sensitivity of the amplifier. Maximum power out of the amplifier is possible with the gain in the lowest position. Incorrectly setting the gain can result in distorted output or damage to, and premature failure of, your speakers. For a quick setup, turn the source unit up to about 3/4 volume (if the source unit goes to 30, turn it to 25). Slowly turn up (clockwise) the gain on the amplifier until you can hear audible distortion, then turn it down a little.

**Bass Boost Control:** The variable bass boost control on the side panel is designed to give you increased output (0–6dB) at 40 Hz. The setting for this control is subjective. If you turn it up, you must readjust the input gain control to avoid clipping the powered enclosure's amplifier.

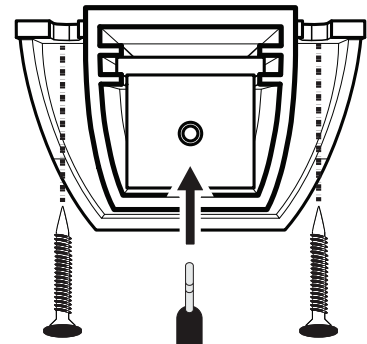
**Remote Bass Control:** With the included remote bass control, you have the ability to control the output level of your powered enclosure remotely. When plugged into the enclosure, the remote bass attenuates the gain level of the signal. To mount the remote bass level control, simply screw the metal bracket to the chosen location, then slide the housing onto the bracket until it snaps into place. Run the cable from the controller to the "Remote Bass" jack on your powered enclosure's side panel. **DO NOT disconnect the remote bass control when the amplifier is on!**

## REMOTE BASS CONTROL INSTALLATION

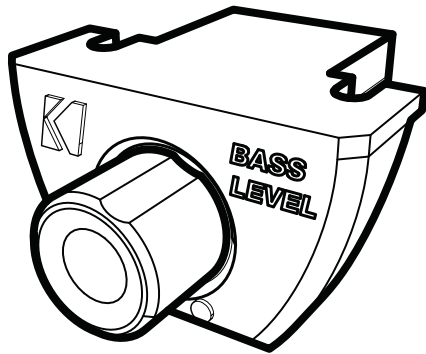
Surface-mount the CXARC remote using the supplied screws.



Connect the supplied 1/8th inch [3.5mm] patch cable to the CXARC remote and the Remote Bass jack on the amplifier.



back view



Remote cable passes audio; do not run cable parallel to power wires.

## TROUBLESHOOTING

If your amplifier does not appear to be working, check the obvious things first such as blown fuses, poor or incorrect wiring connections, incorrect setting of crossover and gain controls, etc. There is a dual-stage PWR/PRT LED on side panel of your powered enclosure denoting the power state of the amplifier. When the LED is blue, this indicates the powered enclosure is turned on and its amplifier is functioning properly.

**PWR/PRT LED off, no output?** With a Volt Ohm Meter (VOM) check the following: ❶ +12 volt power terminal (should read +12V to +16V) ❷ Remote turn-on terminal (should read +12V to +16V) ❸ Check for reversed power and ground connections. ❹ Ground terminal, for proper conductivity. ❺ Check for blown fuses. ❻ Check the AUTO TURN-ON switch setting. Check for a DC offset between a speaker lead and ground if using DC-OFFSET mode.

**PWR/PRT LED blue (Amp not in protection), no or low output?** Check the following: ❶ audio input connections ❷ Check the balance control on source unit ❸ Check the polarity of the input signal connections. ❹ Check for a signal in the audio cable feeding the powered enclosure with the VOM meter set to measure "AC" voltage. ❺ Substitute source unit with a "known" good source unit.

**PWR/PRT LED red (Amp in protection), no output?** ❶ Amplifier shuts down only while vehicle is running = voltage protection circuitry is engaged. Voltage to the amplifier is not within the 10–16 volt operating range. Have the vehicle's charging and electrical system inspected. ❷ A red PWR/PRT LED may also indicate low battery voltage. Check all the connections in your vehicle's charging system. It may be necessary to replace or charge your vehicle's battery or replace your vehicle's alternator.

**Reduced bass response?** Flip the phase switch to the opposite position; if the bass improves, your speakers were out of phase with the subwoofer.

**Ground Noise?** KICKER amplifiers are engineered to be fully compatible with all manufacturers' head units. Some head units may require additional grounding to prevent noise from entering the audio signal. If you are experiencing this problem with your head unit, in most cases running a ground wire from the RCA outputs on the head unit to the chassis will remedy this issue. If you still have problems, run your input signal at speaker-level from your source unit to the amplifier.

**CAUTION:** When jump starting the vehicle, be sure that connections made with jumper cables are correct. Improper connections can result in blown amplifier fuses as well as the failure of other critical systems in the vehicle.

If you have more questions about the installation or operation of your new KICKER product, see the Authorized KICKER Dealer where you made your purchase. For more advice on installation, click on the SUPPORT section on the KICKER homepage, [www.kicker.com](http://www.kicker.com). Please E-mail [support@kicker.com](mailto:support@kicker.com) or call Technical Services (405) 624-8583 for unanswered or specific questions.

## **ACOUSTICS LIMITED WARRANTY**

WARNING: KICKER products are capable of producing sound levels that can permanently damage your hearing! Turning up a system to a level that has audible distortion is more damaging to your ears than listening to an undistorted system at the same volume level. The threshold of pain is always an indicator that the sound level is too loud and may permanently damage your hearing. Please use common sense when controlling volume.

When purchased from an Authorized KICKER Dealer, KICKER warrants this product to be free from defects in material and workmanship under normal use for a period of ONE (1) YEAR from date of original purchase. If this product is identified as "Refurbished" or "B Goods", the warranty is limited to a period of THREE (3) MONTHS from date of original purchase. In all cases you must have the original receipt. Should service be necessary under this warranty for any reason due to manufacturing defect or malfunction during the warranty period, KICKER will repair or replace (at its discretion) the defective merchandise with equivalent merchandise. Warranty replacements may have cosmetic scratches and blemishes. Discontinued products may be replaced with more current equivalent products. This warranty is valid only for the original purchaser and is not extended to owners of the product subsequent to the original purchaser. Any applicable implied warranties are limited in duration to a period of the express warranty as provided herein beginning with the date of the original purchase at retail, and no warranties, whether express or implied, shall apply to this product thereafter. Some states do not allow limitations on implied warranties; therefore, these exclusions may not apply to you. This warranty gives you specific legal rights; however you may have other rights that vary from state to state.

### **WHAT TO DO IF YOU NEED WARRANTY OR SERVICE:**

Defective merchandise should be returned to your local Authorized Stillwater Designs (KICKER) Dealer for warranty service. Assistance in locating an Authorized Dealer can be found at [www.kicker.com](http://www.kicker.com) or by contacting Stillwater Designs directly. You can confirm that a dealer is authorized by asking to see a current authorized dealer window decal.

If it becomes necessary for you to return defective merchandise directly to Stillwater Designs (KICKER), call the KICKER Customer Service Department at (405) 624-8510 for a Return Merchandise Authorization (RMA) number. Package only the defective items in a package that will prevent shipping damage, and return to:

**Stillwater Designs, 3100 North Husband St, Stillwater, OK 74075**

The RMA number must be clearly marked on the outside of the package. Please return only defective component systems. The return of functioning items increases your return freight charges. Non-defective items will be returned freight collect to you. For example, if a subwoofer is defective, only return the defective subwoofer, not the entire enclosure. Include a copy of the original receipt with the purchase date clearly visible, and a "proof-of-purchase" statement listing the Customer's name, Dealer's name and invoice number, and product purchased. Warranty expiration on items without proof-of-purchase will be determined from the type of sale and manufacturing date code. Freight must be prepaid; items sent freight-collect, or COD, will be refused.

### **WHAT IS NOT COVERED?**

This warranty is valid only if the product is used for the purpose for which it was designed. It does not cover:

- o Damage due to improper installation
  - o Subsequent damage to other components
  - o Damage caused by exposure to moisture, excessive heat, chemical cleaners, and/or UV radiation
  - o Damage through negligence, misuse, accident or abuse.
- Repeated returns for the same damage may be considered abuse
- o Any cost or expense related to the removal or reinstallation of product
  - o Speakers damaged due to amplifier clipping or distortion
  - o Items previously repaired or modified by any unauthorized repair facility
  - o Return shipping on non-defective items
  - o Products with tampered or missing barcode labels
  - o Products with tampered or missing serial numbers
  - o Products returned without a Return Merchandise Authorization (RMA) number
  - o Products purchased from an UNAUTHORIZED dealer
  - o Freight Damage
  - o The cost of shipping product to KICKER
  - o Service performed by anyone other than KICKER



### **HOW LONG WILL IT TAKE?**

KICKER strives to maintain a goal of one-week service for all acoustics (subwoofers, midrange drivers, tweeters, crossovers, etc) returns. Delays may be incurred if lack of replacement inventory or parts is encountered. Failure to follow these steps may void your warranty. Any questions can be directed to the KICKER Customer Service Department at (405) 624-8510. Contact your International KICKER dealer or distributor concerning specific procedures for your country's warranty policies.



## **INTERNATIONAL WARRANTY**

Contact your International KICKER dealer or distributor concerning specific procedures for your country's warranty policies.

Our goods come with guarantees that cannot be excluded under the **Australian Consumer Law**. You are entitled to a replacement or refund for a major failure and for compensation for any other reasonably foreseeable loss or damage. You are also entitled to have the goods repaired or replaced if the goods fail to be of acceptable quality and the failure does not amount to a major failure.

### **GARANTÍA INTERNACIONAL**                      **Versión Español**

Comuníquese con su concesionario o distribuidor KICKER internacional para obtener información sobre procedimientos específicos relacionados con las normas de garantía de su país.

La frase "combustible para vivir la vida Livin' Loud™ a todo volumen" se refiere al entusiasmo por la vida que la marca KICKER de estéreos de automóvil representa y a la recomendación a nuestros clientes de que vivan lo mejor posible ("a todo volumen") en todo sentido. La línea de altavoces y amplificadores KICKER es la mejor del mercado de audio de automóviles y por lo tanto representa el "combustible" para vivir a todo volumen en el área de "estéreos de automóvil" de la vida de nuestros clientes. Recomendamos a todos nuestros clientes que obedezcan todas las reglas y reglamentos locales sobre ruido en cuanto a los niveles legales y apropiados de audición fuera del vehículo.

### **INTERNATIONALE GARANTIE**                      **Deutsche Version**

Nehmen Sie mit Ihren internationalen KICKER-Fachhändler oder Vertrieb Kontakt auf, um Details über die Garantieleistungen in Ihrem Land zu erfahren.

Der Slogan "Treibstoff für Livin' Loud" bezieht sich auf die mit den KICKER-Autostereosystemen assoziierte Lebensfreude und die Tatsache, dass wir unsere Kunden ermutigen, in allen Aspekten ihres Lebens nach dem Besten ("Livin' Loud") zu streben. Die Lautsprecher und Verstärker von KICKER sind auf dem Markt für Auto-Soundsysteme führend und stellen somit den "Treibstoff" für das Autostereoerlebnis unserer Kunden dar. Wir empfehlen allen unseren Kunden, sich bezüglich der zugelassenen und passenden Lautstärkepegel außerhalb des Autos an die örtlichen Lärmvorschriften zu halten.

### **GARANTIE INTERNATIONALE**                      **Version Française**

Pour connaître les procédures propres à la politique de garantie de votre pays, contactez votre revendeur ou distributeur International KICKER.

AVERTISSEMENT: Les haut-parleurs KICKER ont la capacité de produire des niveaux sonores pouvant endommager l'ouïe de façon irréversible ! L'augmentation du volume d'un système jusqu'à un niveau présentant une distorsion audible endommage davantage l'ouïe que l'écoute d'un système sans distorsion au même volume. Le seuil de la douleur est toujours le signe que le niveau sonore est trop élevé et risque d'endommager l'ouïe de façon irréversible. Réglez le volume en faisant preuve de bon sens!

L'expression "carburant pour vivre plein pot" fait référence au dynamisme de la marque KICKER d'équipements audio pour véhicules et a pour but d'encourager nos clients à faire le maximum ("vivre plein pot") dans tous les aspects de leur vie. Les haut-parleurs et amplificateurs KICKER sont les meilleurs dans le domaine des équipements audio et représentent donc pour nos clients le "carburant pour vivre plein pot" dans l'aspect "installation audio de véhicule" de leur vie. Nous encourageons tous nos clients à respecter toutes les lois et réglementations locales relatives aux niveaux sonores acceptables à l'extérieur des véhicules.

