



**CS Coaxial Speakers**

**Altavoz Coax CS**

**Package Contents:**

- (2) CS Coaxial Speakers
- (8) Mounting screws and speed clips
- (2) Positive-Negative lead wires
- (4) Wire caps

**Contenido del paquete:**

- (2) Bocinas coaxiales CS
- (8) Tornillos y presillas de montaje
- (2) Cables Positivo-Negativo
- (4) Tapas para cables

Modelo:	CSC35	CSC4	CSC46	CSC5	CSC65	CSC67	CSC68	CSC693
Speaker Design	2-Way	2-Way	2-Way	2-Way	2-Way	2-Way	2-Way	3-Way
Woofer [in, mm]	3 1/2, 89	4, 100	4x6, 100x160	6 1/4, 160	6 1/2, 160	6 3/4, 165	6x6, 160x200	6x9, 160x230
Mid [in, mm]								2.50
Tweeter [in, mm]	1/2, 13	1/2, 13	1/2, 13	1/2, 13	1/2, 13	1/2, 13	1/2, 13	1/2, 13
Rated Impedance (Ω)	4	4	4	4	4	4	4	4
Peak Power Handling (Watts)	90	150	150	225	300	300	225	450
Recommended Amplifier Power (Watts RMS)	10-30	10-50	10-50	10-75	10-100	10-100	10-75	10-150
Sensitivity [1W, 1m]	88	88	88	90	90	90	90	92
Frequency Response [Hz]	80-20K	60-20K	50-20K	45-20K	40-20K	40-20K	45-20K	30-20K
Mounting Hole Diameter [in, mm]	3-1/16, 78	3-1/16, 94	4x6, 100x162	4-1/2, 115	4-1/3/16, 123	5-1/2, 140	5x7 3/16, 128x182	5-5/8 x 8-7/16, 143x215
Top Mount Depth [in, mm]	1/4, 6	1/4, 6	5/16, 7	1/4, 7	3/8, 9	3/16, 4	3/8, 9	1/2, 12
Bottom Mount Depth [in, mm]	1-11/16, 42	1-5/8, 42	1-11/16, 43	1-3/4, 45	1-3/4, 45	1-13/16, 47	2-1/4, 58	3-3/16, 81
Tweeter Projection [in, mm]	1/8, 3	0	0	0	0	0	0	0
Grilles	No	Yes	No	Yes	Yes	Yes	No	Yes
Tweeter Magnet Material	Neodymium	Neodymium	Neodymium	Neodymium	Neodymium	Neodymium	Neodymium	Neodymium
Tweeter Dome Material	FEI polyether imide	FEI polyether imide	FEI polyether imide	FEI polyether imide	FEI polyether imide	FEI polyether imide	FEI polyether imide	FEI polyether imide
Tweeter Design	Balanced dome	Balanced dome	Balanced dome	Balanced dome	Balanced dome	Balanced dome	Balanced dome	Balanced dome
Woofer Cone Material	Polypropylene	Polypropylene	Polypropylene	Polypropylene	Polypropylene	Polypropylene	Polypropylene	Polypropylene
Woofer Surround Material	Polyester foam	Polyester foam	Polyester foam	Polyester foam	Polyester foam	Polyester foam	Polyester foam	Polyester foam

KICKER products are warranted against defects. Duration and terms of warranty depend on the laws in the country in which it was purchased. For details see your local KICKER Dealer or [www.kicker.com/warranty](http://www.kicker.com/warranty).

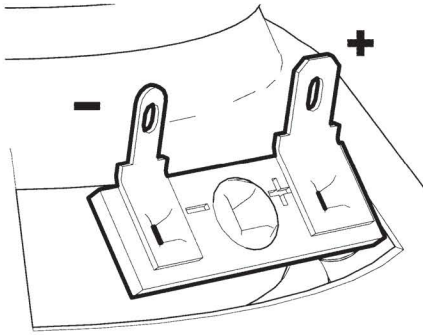
Our goods come with guarantees that cannot be excluded under the **Australian Consumer Law**. You are entitled to a replacement or refund for a major failure and for compensation for any other reasonably foreseeable loss or damage. You are also entitled to have the goods repaired or replaced if the goods fail to be of acceptable quality and the failure does not amount to a major failure.

Modelo:	CSC35	CSC4	CSC46	CSC5	CSC65	CSC67	CSC68	CSC693
Design de altavoz	2-Way	2-Way	2-Way	2-Way	2-Way	2-Way	2-Way	3-Way
Woofer [pg, mm]	3 1/2, 89	4, 100	4x6, 100x160	6 1/4, 160	6 1/2, 160	6 3/4, 165	6x6, 160x200	6x9, 160x230
Mediodos [pg, mm]								2.50
Tweeter [pg, mm]	1/2, 13	1/2, 13	1/2, 13	1/2, 13	1/2, 13	1/2, 13	1/2, 13	1/2, 13
Impedancia nominal (Ω)	4	4	4	4	4	4	4	4
Manejo de potencia de pico (Watts)	90	150	150	225	300	300	225	450
Manejo de potencia recomendado (Watts RMS)	10-30	10-50	10-50	10-75	10-100	10-100	10-75	10-150
Sensibilidad [1W, 1m]	88	88	88	90	90	90	90	92
Respuesta de frecuencia [Hz]	80-20K	60-20K	50-20K	45-20K	40-20K	40-20K	45-20K	30-20K
Orificio de montaje Diámetro [pg, mm]	3-1/16, 78	3-1/16, 94	4x6, 100x162	4-1/2, 115	4-1/3/16, 123	5-1/2, 140	5x7 3/16, 128x182	5-5/8 x 8-7/16, 143x215
Profundidad de montaje superior [pg, mm]	1/4, 6	1/4, 6	5/16, 7	1/4, 7	3/8, 9	3/16, 4	3/8, 9	1/2, 12
Profundidad del montaje inferior [pg, mm]	1-11/16, 42	1-5/8, 42	1-11/16, 43	1-3/4, 45	1-3/4, 45	1-13/16, 47	2-1/4, 58	3-3/16, 81
Tweeter Saliente [pg, mm]	1/8, 3	0	0	0	0	0	0	0
Resillas incluidas	No	Si	No	Si	Si	Si	No	Si
Material del imán del tweeter	Neodimio	Neodimio	Neodimio	Neodimio	Neodimio	Neodimio	Neodimio	Neodimio
Material del cono del woofer	FEI [polyether imide]	FEI [polyether imide]	FEI [polyether imide]	FEI [polyether imide]	FEI [polyether imide]	FEI [polyether imide]	FEI [polyether imide]	FEI [polyether imide]
Domo del tweeter	Domo balanceado	Domo balanceado	Domo balanceado	Domo balanceado	Domo balanceado	Domo balanceado	Domo balanceado	Domo balanceado
Material del cono del woofer	Polypropylene	Polypropylene	Polypropylene	Polypropylene	Polypropylene	Polypropylene	Polypropylene	Polypropylene
Material envolvente del woofer	Poliespuma con costillas	Poliespuma con costillas	Poliespuma con costillas	Poliespuma con costillas	Poliespuma con costillas	Poliespuma con costillas	Poliespuma con costillas	Poliespuma con costillas

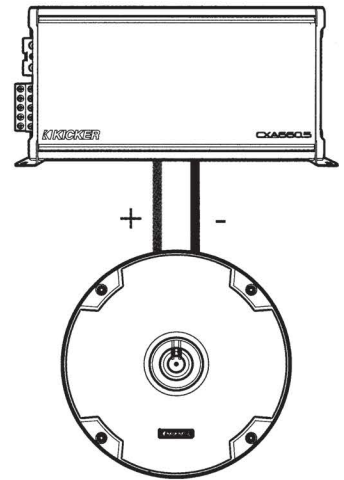
Los productos KICKER están garantizados contra defectos. La duración y los términos de la garantía dependen de las leyes del país en donde se realizó la compra. Para más detalles consulte a su distribuidor local de KICKER o visite [www.kicker.com/warranty](http://www.kicker.com/warranty).

# WIRING | CABLEADO | VERKABELUNG | CÂBLAGE

source unit / amplifier  
unidad fuente / amplificador  
Quelle / Verstärker  
amplificateur / source



Connect wiring to terminals.  
Conecte el cableado a las terminales.  
Schließen Sie die Kabel an die Klemmen an.  
Connectez le câblage aux bornes.

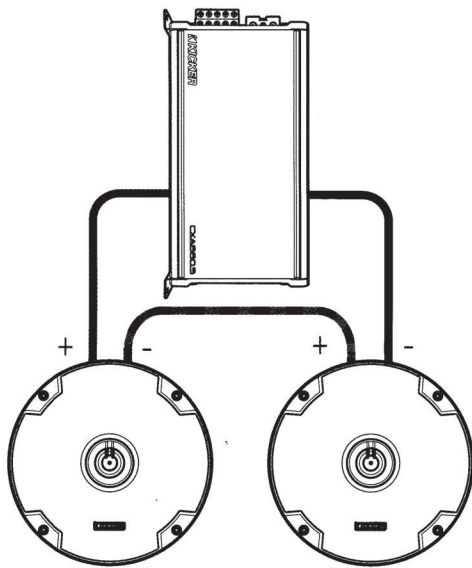


Two CS Speakers wired in series to a single channel  
Total Impedance: 8 ohms

Dos CS Coax altavoces conectaron en la serie a un solo canal  
Total Impedancia: 8 ohms

Zwei CS Koax-Systeme an einen einzelnen Kanal anschließen  
Total Impedanz: 8 ohms

Deux haut-parleurs à une chaîne seule  
Total Impédance: 8 ohms

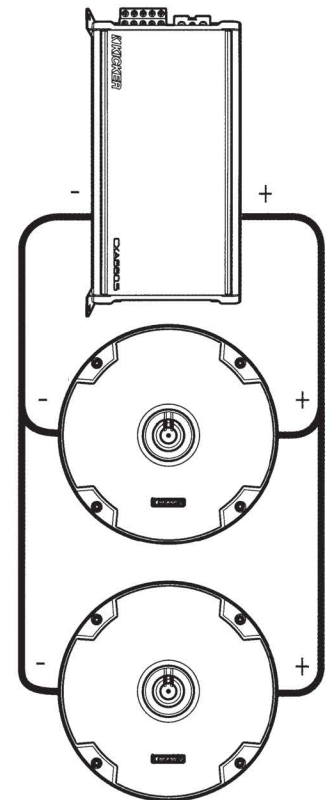


Two CS Speakers wired in parallel to a single channel  
Total Impedance: 2 ohms

Dos CS Coax altavoces conectaron en la paralelo a un solo canal  
Total Impedancia: 2 ohms

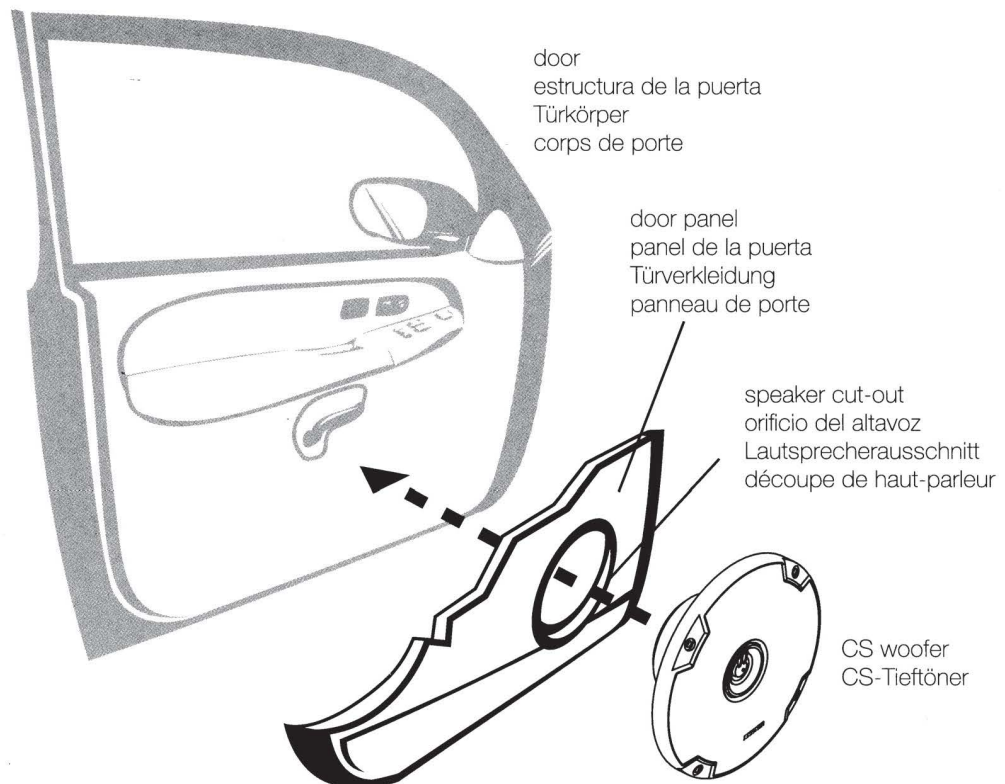
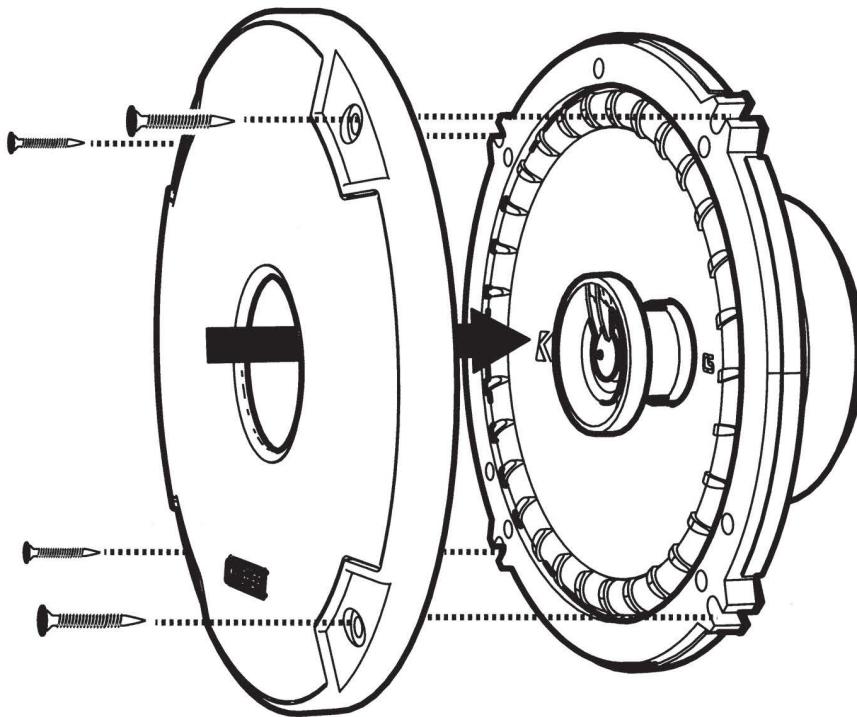
Zwei CS Koax-Systeme an einen einzelnen Kanal Paralleler  
Total Impedanz: 2 ohms

Deux haut-parleurs à une parallèle seule  
Total Impédance: 2 ohms



**MOUNTING | MONTAJE | EINBAU | MONTAGE**

Secure speaker to desired location.  
Asegure la bocina en la ubicación deseada.  
Befestigen Sie den Lautsprecher am gewünschten Ort.  
Fixez le haut-parleur à l'endroit désiré.



door  
estructura de la puerta  
Türkörper  
corps de porte

door panel  
panel de la puerta  
Türverkleidung  
panneau de porte

speaker cut-out  
orificio del altavoz  
Lautsprecherausschnitt  
découpe de haut-parleur

CS woofer  
CS-Tieftöner