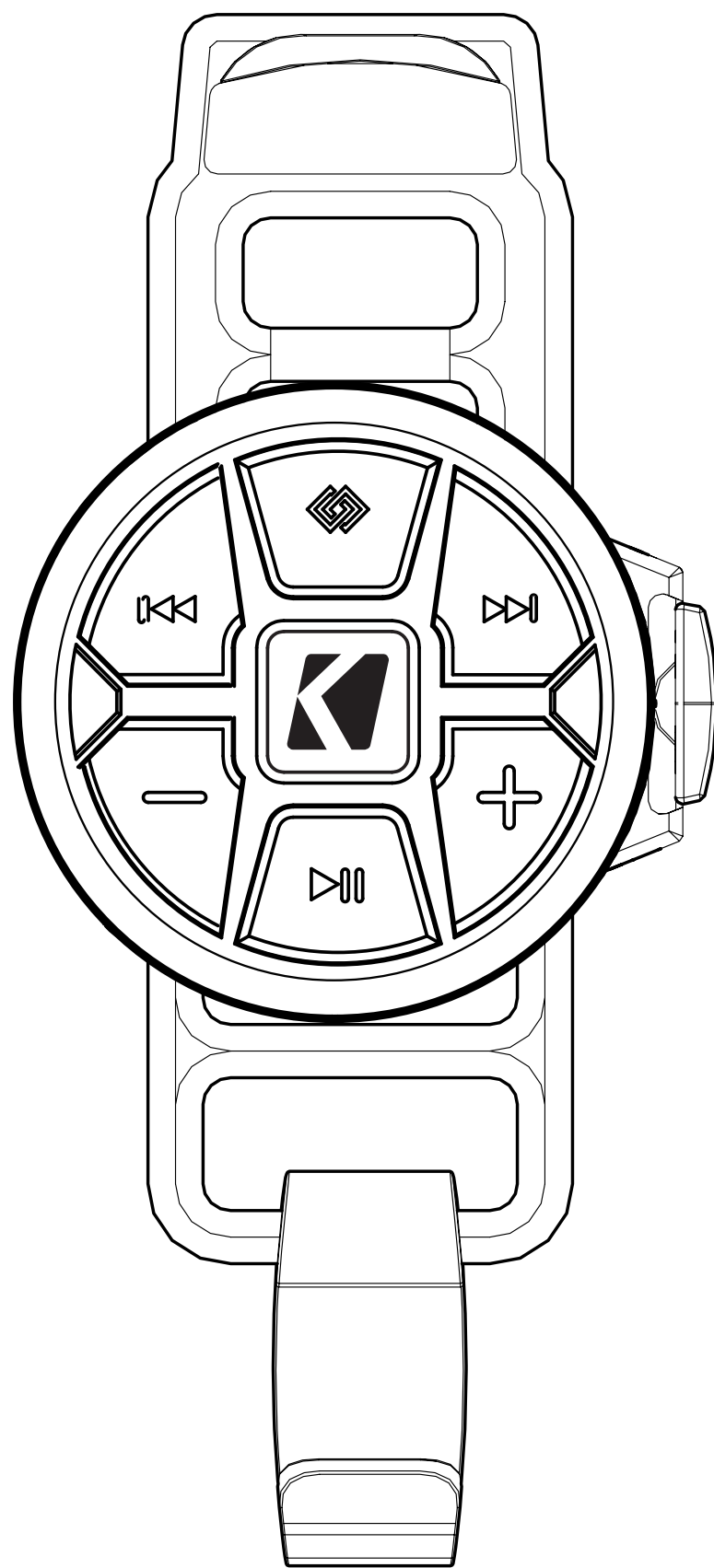
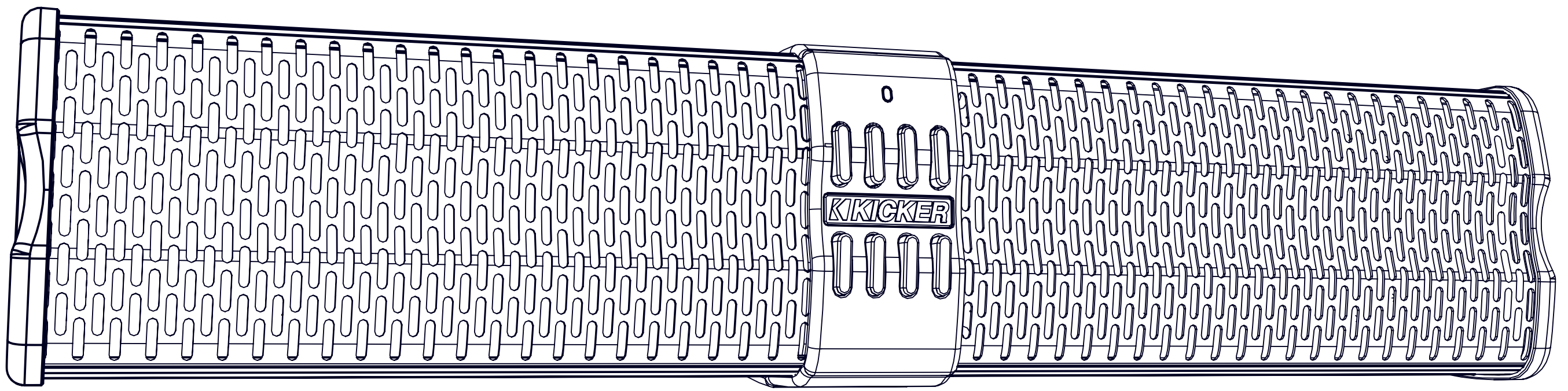


KICKER®

Owner's Manual
Manual del Propietario
Manuel d'utilisation
Benutzerhandbuch

KICKER PowerBar KPB1 | KPB2

Amplified Weatherproof Bar-Mount Speaker System with Bluetooth
Sistema de alto-falantes Amplificado a prueba de intempéries com Bluetooth
Système d'enceintes Amplifiées étanches à Montage sur Barre avec Bluetooth
Verstärktes Wetterfestes Bar-Mount-Lautsprechersystem mit Bluetooth

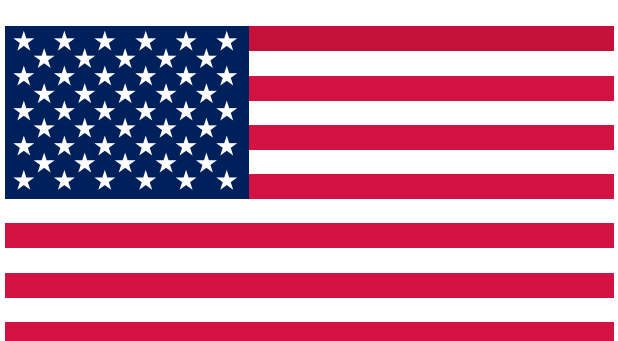


select language

seleccione el idioma

choisir la langue

sprache auswählen



Contents

Overview	2
Specifications	3
Installation	4
Wiring	4
Relay Install & Battery Management	5
Mounting	6
Operation	8
Status LED	8
Control Panel	9
Setting Input Source	10
Line Output & AUX IN	10
Broadcast Mode	11
Remote Control Install	12
Remote Control Operation ...	14
Troubleshooting	15
Warranty	16

Overview

IMPORTANT SAFETY WARNING

PROLONGED CONTINUOUS OPERATION OF AN AMPLIFIER, SPEAKER, OR SUBWOOFER IN A DISTORTED, CLIPPED OR OVER-POWERED MANNER CAN CAUSE YOUR AUDIO SYSTEM TO OVERHEAT, POSSIBLY CATCHING FIRE AND RESULTING IN SERIOUS DAMAGE TO YOUR COMPONENTS AND/OR VEHICLE. AMPLIFIERS REQUIRE UP TO 4 INCHES (10CM) OPEN VENTILATION. SUBWOOFERS SHOULD BE MOUNTED WITH AT LEAST 1 INCH (2.5CM) CLEARANCE BETWEEN THE FRONT OF THE SPEAKER AND ANY SURFACE. KICKER PRODUCTS ARE CAPABLE OF PRODUCING SOUND LEVELS THAT CAN PERMANENTLY DAMAGE YOUR HEARING! TURNING UP A SYSTEM TO A LEVEL THAT HAS AUDIBLE DISTORTION IS MORE DAMAGING TO YOUR EARS THAN LISTENING TO AN UNDISTORTED SYSTEM AT THE SAME VOLUME LEVEL. THE THRESHOLD OF PAIN IS ALWAYS AN INDICATOR THAT THE SOUND LEVEL IS TOO LOUD AND MAY PERMANENTLY DAMAGE YOUR HEARING. PLEASE USE COMMON SENSE WHEN CONTROLLING VOLUME.

The KICKER PowerBar-series of powered, bar-mounted Bluetooth speakers provide you with the power and clarity required for enjoying audio in any outdoor and recreational setting. Featuring an IP66 rating for weatherproof applications, the PowerBars come with an easy-to-use control panel and mountable remote control, so changing the tunes is only a touch away. KICKER's new Broadcast Mode technology allows you to sync up two or more KPB's via Bluetooth, while AUX Input and Line Output connections allow for any combination of use with other devices. Use the KPB1 or the larger KPB2 on the beach, the links, the patio, off-road, or anywhere you're missing the music.

Use the following instructions to install and operate your KPB and KPB Remote.

Specifications

Model:	KPB1	KPB2
Power Output @ 14.4V, <10% THD+N	150W	300W
Total Speakers	6	10
Height [in, mm]	4-9/16, 115	4-9/16, 115
Width [in, mm]	21, 530	34-1/2, 880
Woofers [in, mm]		3, 76
Tweeter [in, mm]		1, 25
Wiring Harness Length [ft, m]		12, 3.66
Frequency Response [Hz]		65-20,000
Signal-to-Noise Ratio		>75, A-weighted re: rated power
Tweeter Magnet Material		Neodymium
Tweeter Dome Material		Titanium
Tweeter Design		Dome
Woofers Cone Material		Polypropylene
Woofers Surround Material		Santoprene
Aux Input		Stereo 3.5mm Female 0–1.0 V Sensitivity
Line Output		Stereo 3.5mm Female Buffered, 2.5V

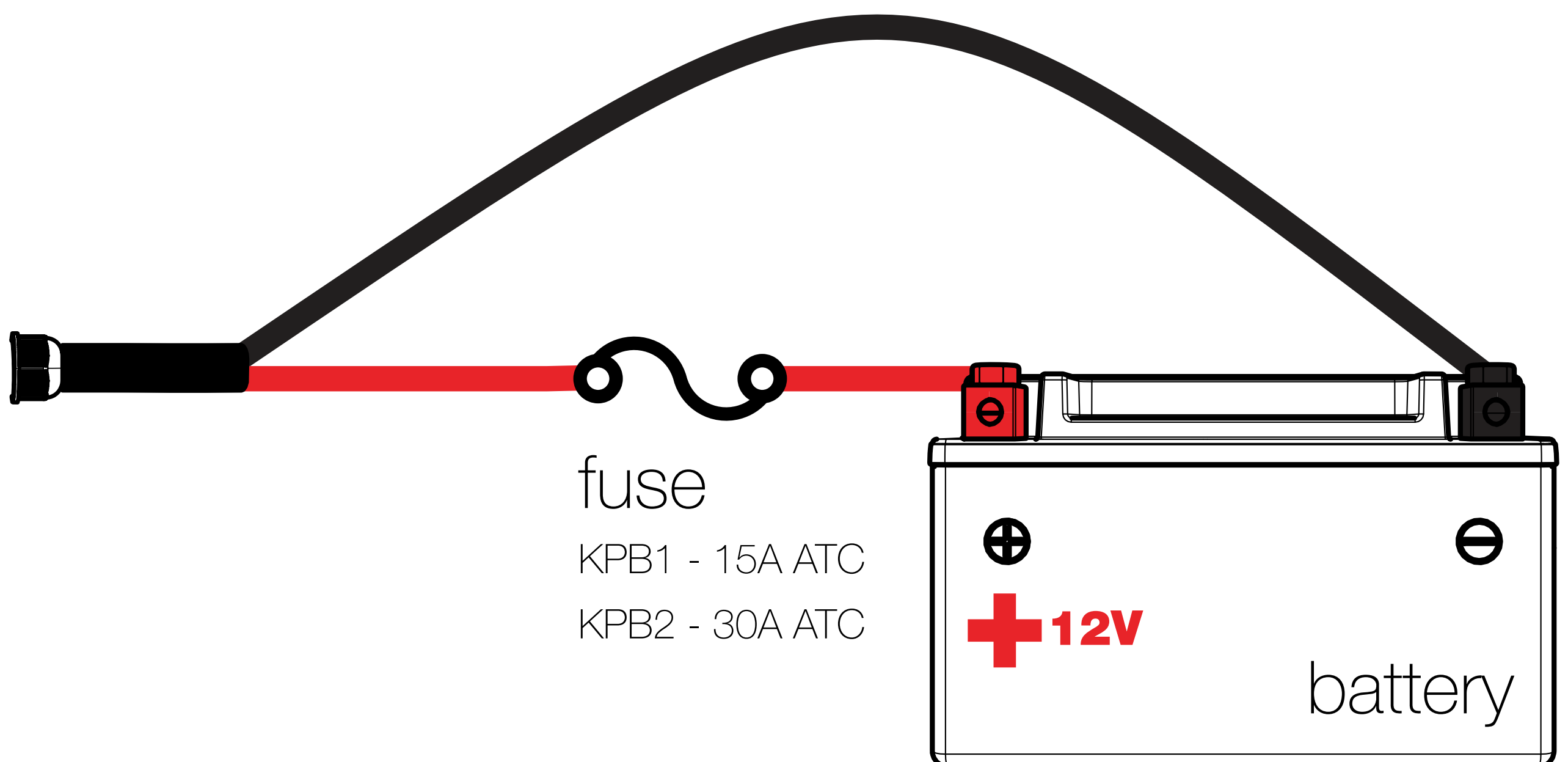
Installation

Wiring

Disconnect the vehicle's battery to avoid an electrical short. Connect the KPB's black ground wire to a paint-and-corrosion-free, solid, metal area of the vehicle's chassis, or to the negative battery terminal. Connect the KPB's red power wire to the positive battery terminal. The wire harness includes an inline 15A ATC fuse (KPB1) or 30A ATC fuse (KPB2), and 5/16" ring terminals. The ring terminals can be cut off if they're not needed, but the fuse should always be kept within 18" of the battery.

Keep the audio signal cable away from factory wiring harnesses and other power wiring. If you need to cross this wiring, cross it at a 90-degree angle.

to chassis ground or battery



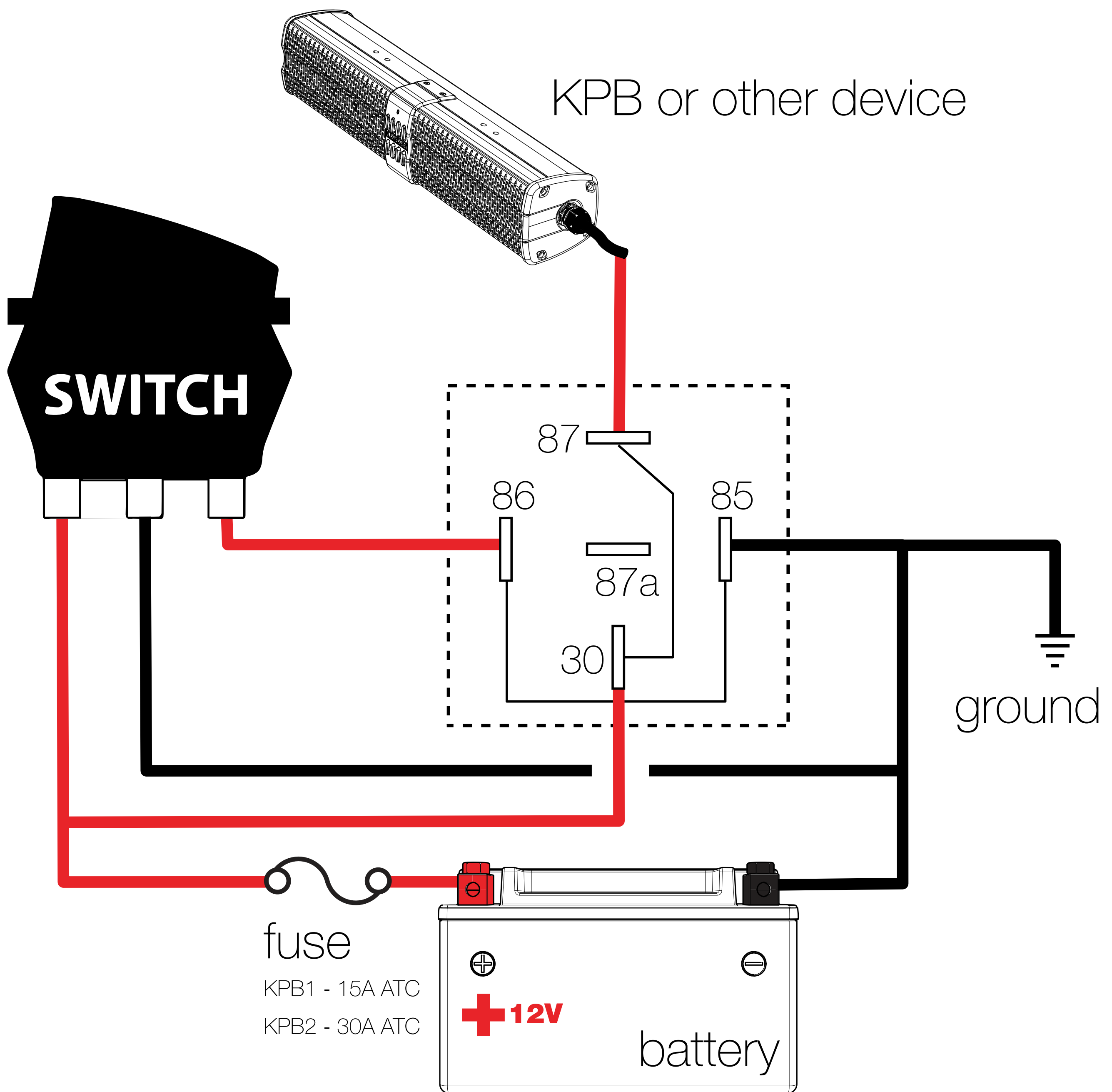
WARNING: Do not connect to +24V battery systems.

IMPORTANT: The KPB draws a small amount of power over time, even when off. If storing the vehicle for two weeks or more, take precautions to ensure the life of your vehicle's battery, such as disconnecting the fuse.

Relay Install & Battery Management

To increase battery longevity, it is good practice to use a Battery Management System (BMS) for your electric vehicles, as well as an accessory or relay switch for your KPB. Relays and BMS are optional and not included. Required current rating: 30A

SPDT Bosch Relay



30 - Power Input

85 - Relay Ground

86 - Relay Trigger Input

87 - Power Output - Open Contact (ON)

87a - Disconnected

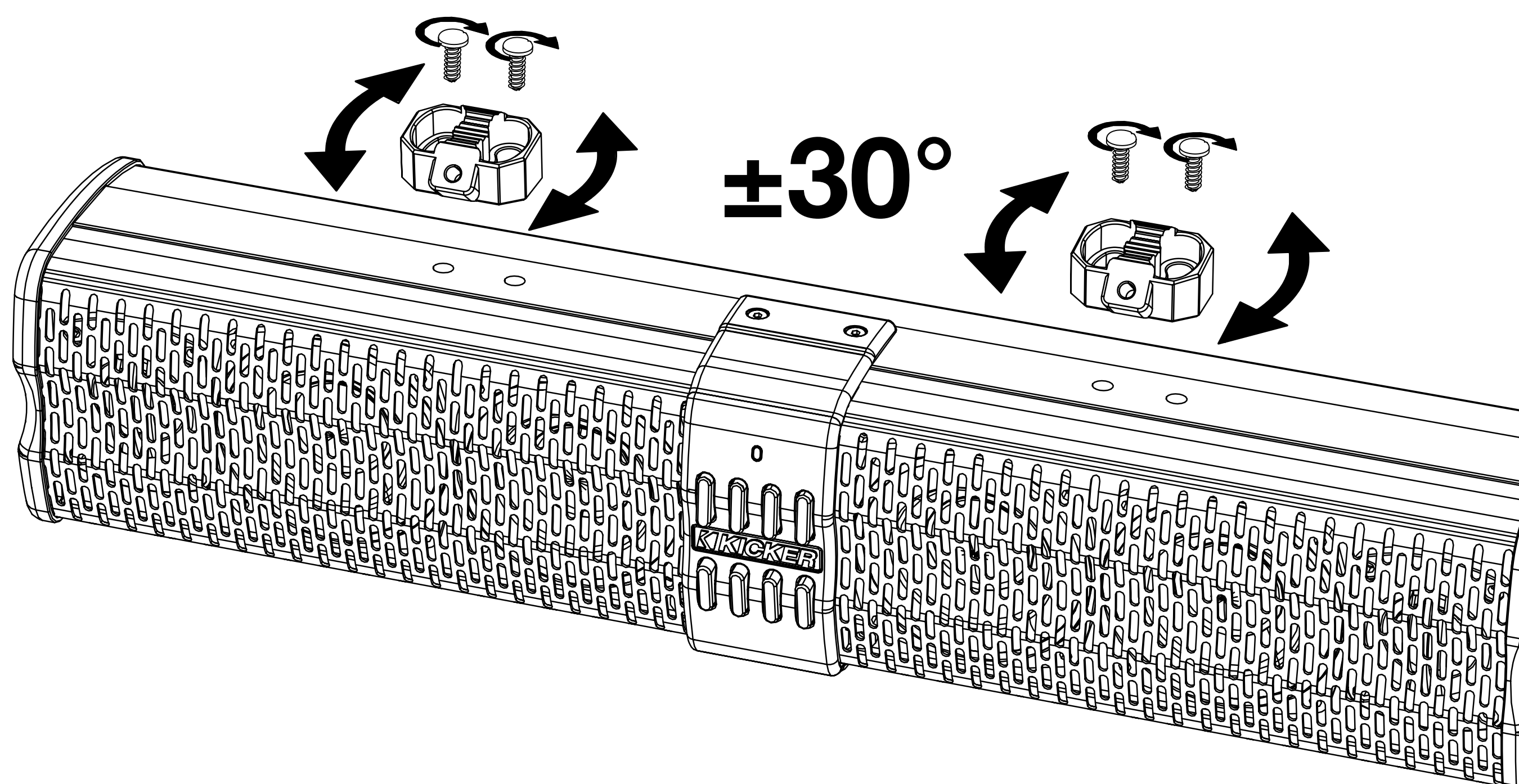
Mounting

The KPB-series mounts out-of-the-box to round bars cylinders with the included 1.5", 1.75", and 2" diameter Bar Clamps. Use the KPB Square Clamps (LINK GOES HERE) - sold separately - to mount your KPB to square bars. Choose a structurally sound location to mount the KPB. The KPB may be mounted below or above bars, and the Mounting Base may be rotated $\pm 30^\circ$ to accommodate some curved bars. Make sure there are no items interfering with the route of the wiring.

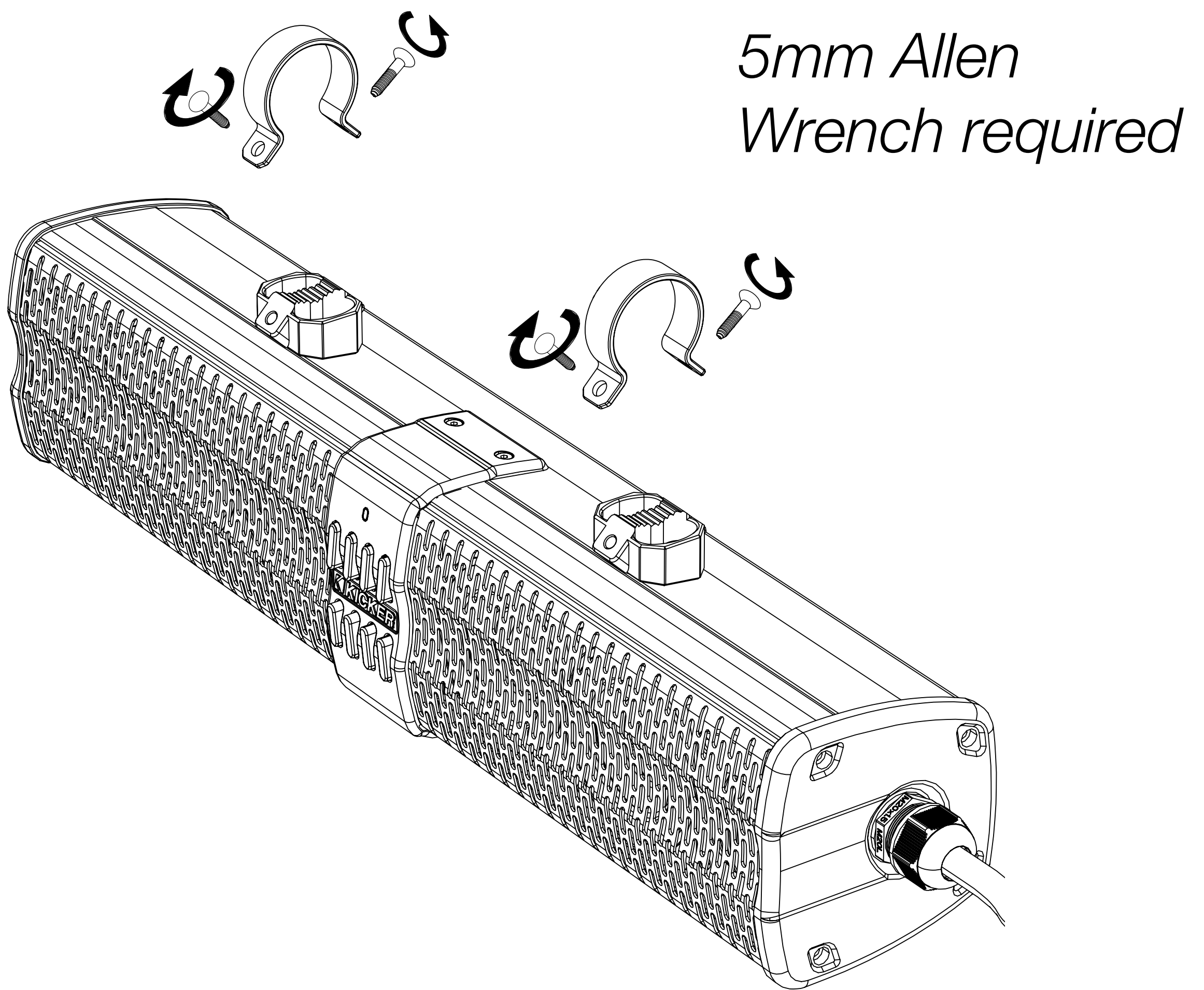
Installation tools are not provided. 5mm and 6mm Allen Wrenches are required.

1. Screw the Mounting Bases to the PowerBar using the Mounting Screws.

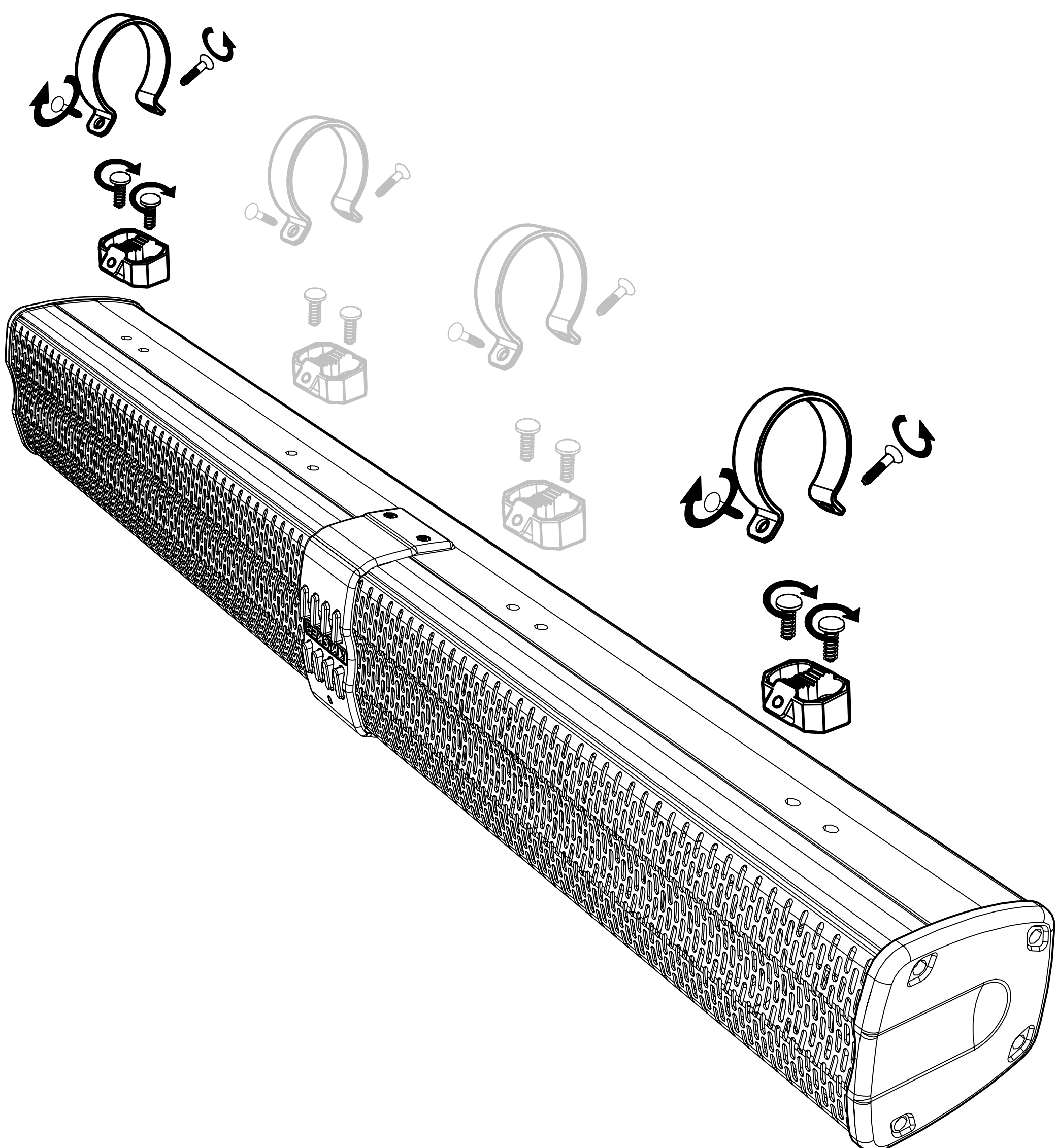
6mm Allen Wrench required



2. Place the included rubber inserts in the Clamp Rings for improved vibration dampening, then install the Clamp Rings around your bar, securing them to the Mounting Bases using the Clamp Screws.



The KPB2 may be mounted with the bases and clamps in an inward, or outward configuration. KICKER does not recommend a combined inward/outward configuration.



Operation

Status LED

The LED color displays audio source, pairing status, and warnings:

Bluetooth (Blue)

Off	Power is off
Solid	Bluetooth Mode
Rapid Blinking	Bluetooth Pairing Mode
Alternate Red/Blue	Waiting for Broadcast Mode to connect
Long Blue + Short Red	Broadcast Mode Bluetooth Transmitter Active




AUX IN (Red)

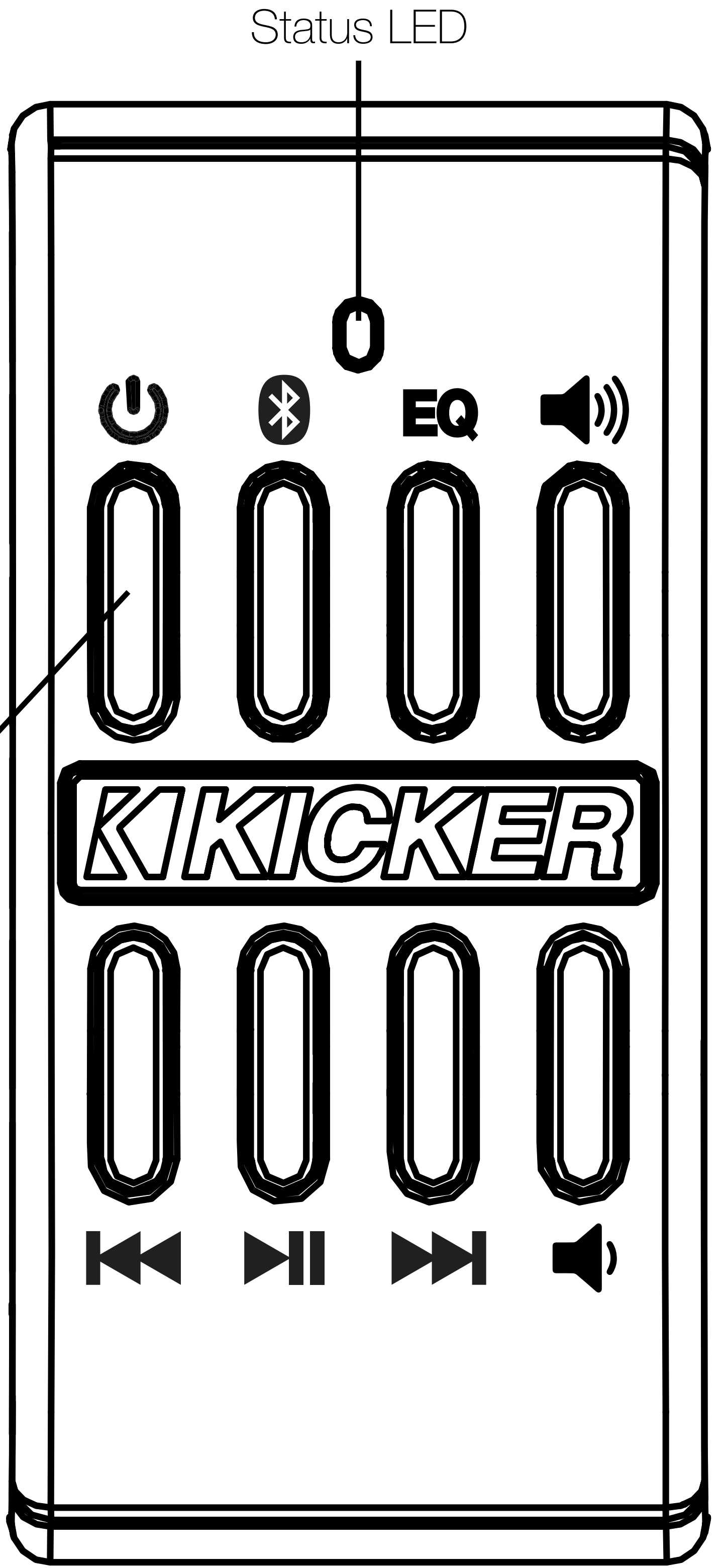
Off	Power is off
Solid	AUX Mode
Alternate Red/Blue	Waiting for Broadcast Mode to connect
Long Red + Short Blue	Broadcast Mode AUX Transmitter Active

Other

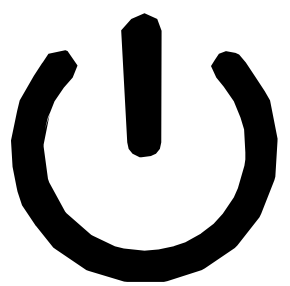
Purple	Broadcast Mode Receiver Active
Red Rapid Blinking	AMP FAULT Warning (Overload, Undervoltage, Overvoltage)

Control Panel

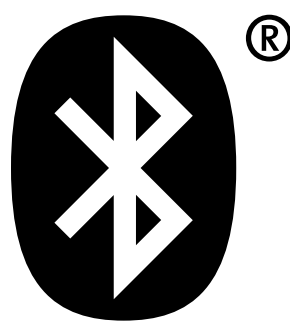
 short press
 long press
 very long press



Power on the KP by performing a long press of the POWER Button



— Long Press - Power On/Off



— Short Press - Change Input Source
 Long Press - Enter Bluetooth Pairing Mode



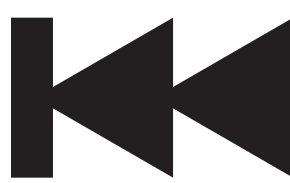
— Change EQ Presets - KICKER, LOUD, SOUND QUALITY, & VOICE



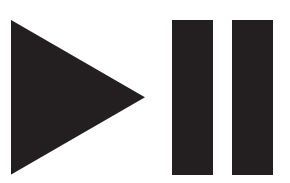
— Increase Volume



— Decrease Volume



— Short Press - Previous Track
 Long Press - Rewind



— Short Press - Play/Pause or Mute
 Very Long Press (10s) - Software Reset



— Short Press - Next Track
 Long Press - Fast Forward

Setting Input Source

Short Press the SOURCE button to switch between Bluetooth (blue) and AUX IN (red) input sources.

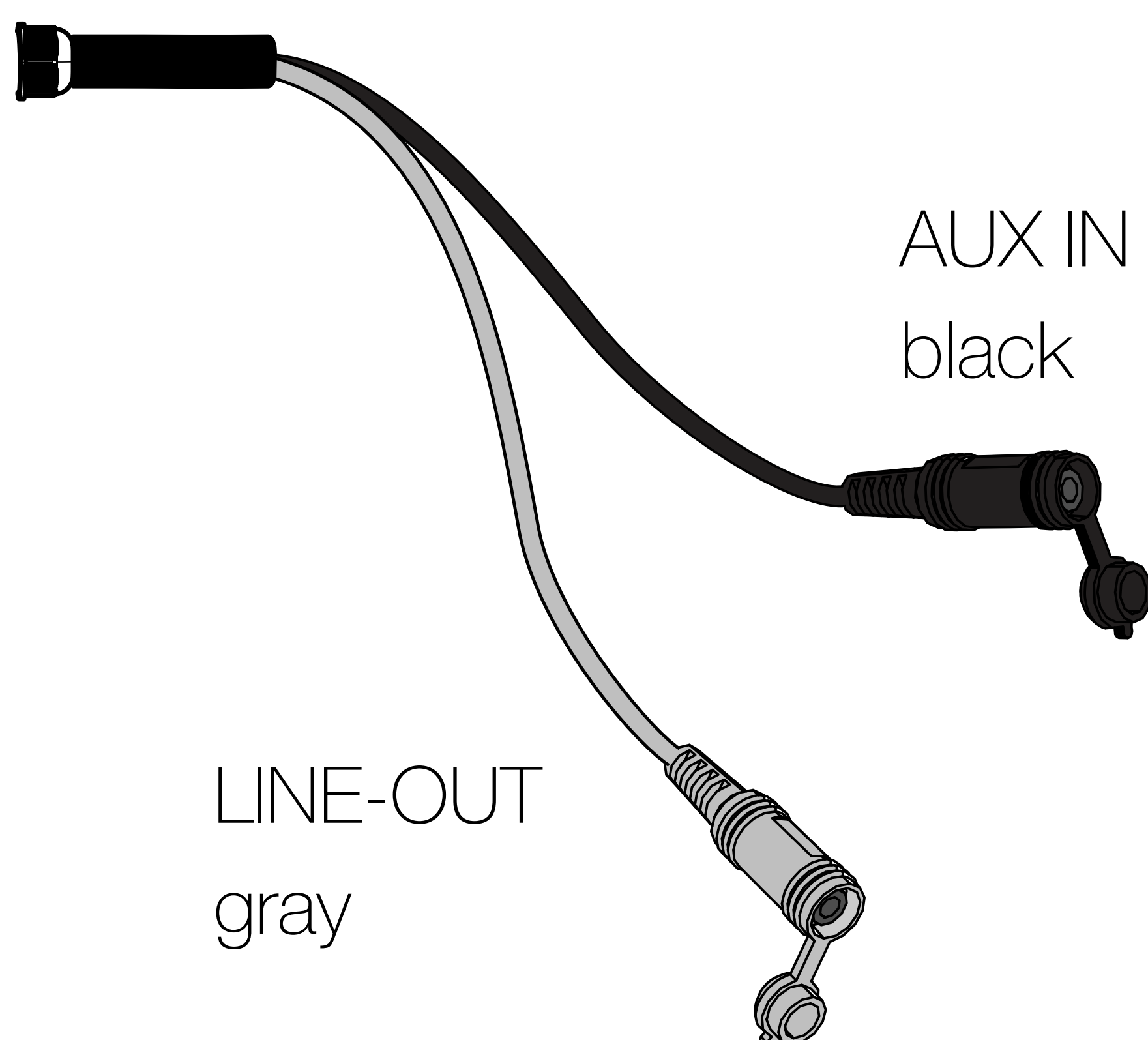
To enter Bluetooth Pairing Mode, Long Press the SOURCE button while in Bluetooth mode. The STATUS LED will begin to flash blue. You may exit pairing mode at this stage by short pressing the SOURCE button.

To finish pairing, from your audio device select either 'KPB1 KICKER' or 'KPB2 KICKER'. When successfully connected, the STATUS LED will be solid blue. When the PowerBar powers on in, or enters, Bluetooth mode, it will automatically begin to search for and connect with the last connected device.

Line Output & AUX IN

To use an external audio device as your input source, connect it to the AUX IN jack using a 1/8" (3.5mm) AUX cable, then set your input source to AUX IN.

To send a line-level signal, connect a 1/8" (3.5mm) AUX cable from the Line Output of the KPB to your external audio device's line-level input.



Broadcast Mode

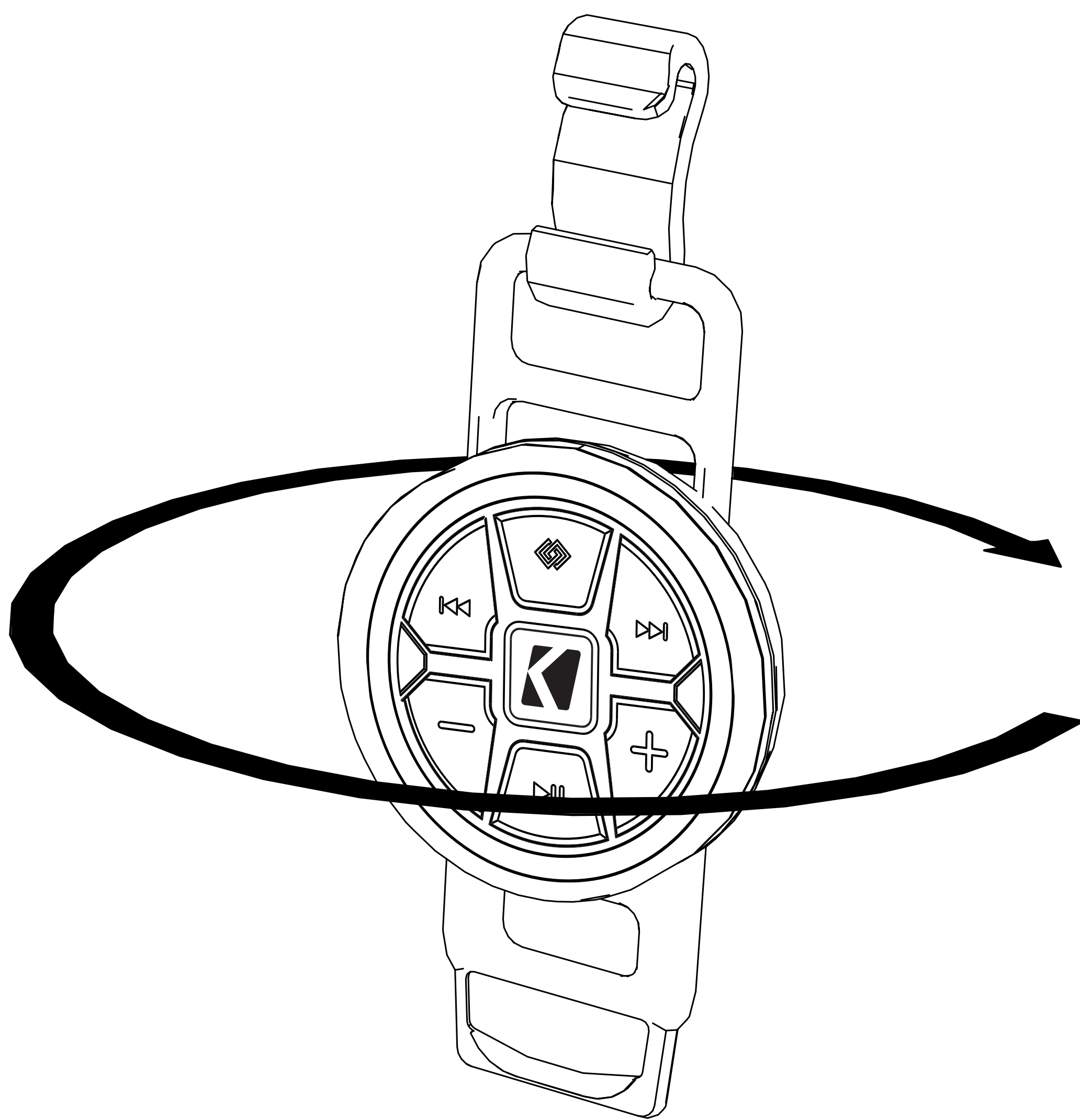
Broadcast Mode allows you to play your audio through multiple KPBs. One KPB, the Broadcaster, will broadcast the audio to the Receiver(s). Broadcast Mode is compatible with both AUX and Bluetooth input sources. You may enter Broadcast Mode with the following button sequence.

- 1.** Set audio input source with the Broadcaster KPB.
- 2.** Press & Hold the PLAY/PAUSE button and the Increase Volume button on the KPB which is transmitting. The Status LED will begin alternately flashing blue and red.
- 3.** Press & Hold the PLAY/PAUSE button and the Decrease Volume button on the KPB which is receiving.
- 4.** Repeat Step 3 for all additional KPBs!

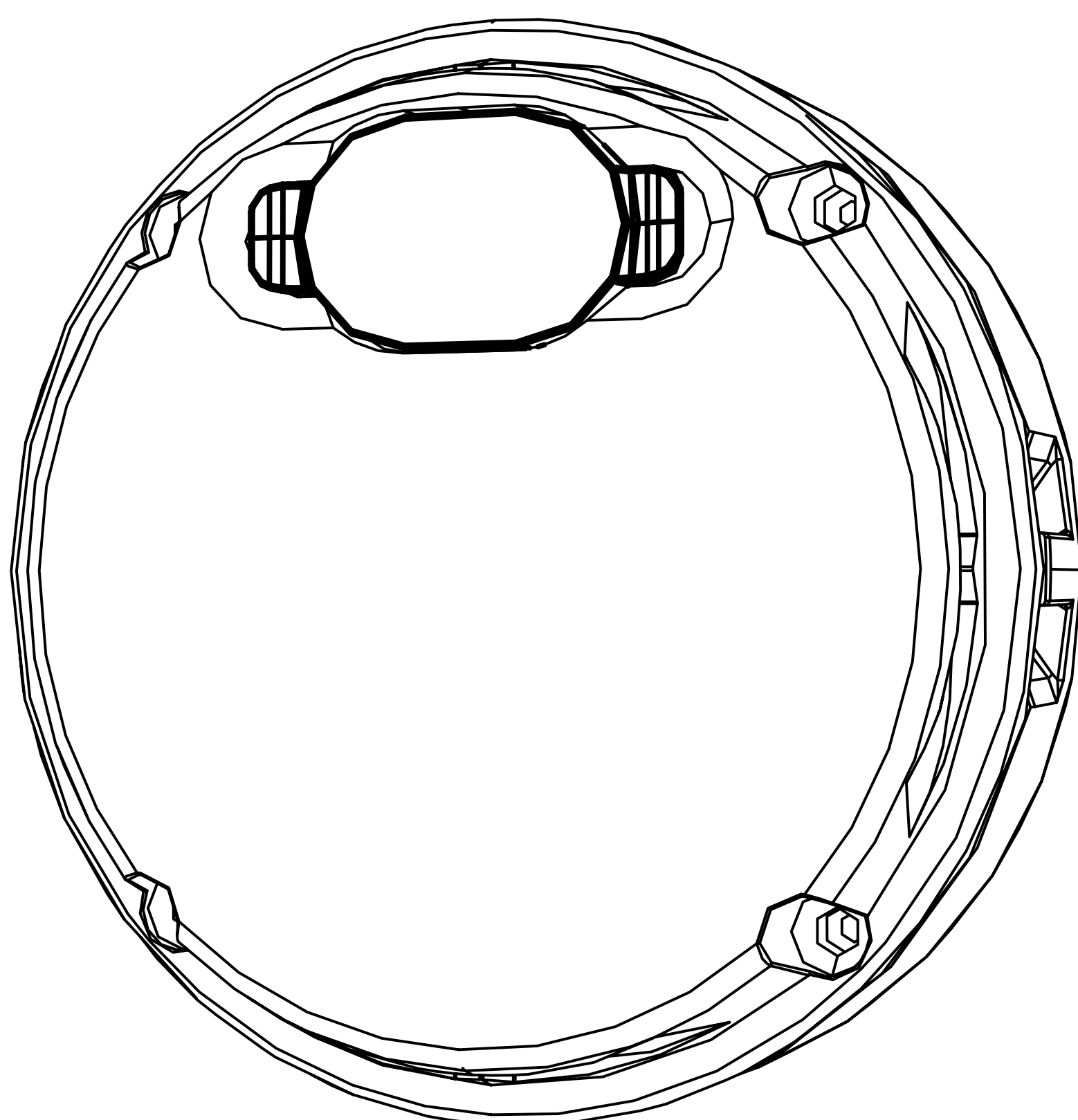
Remote Control Install

The remote control must be charged via USB micro 5V power input. Fully charge the remote for at least 3 hours before first use to maximize battery life.

The LED will be red while charging, and off when complete. The KPB Remote is only water-resistant when the rear cap is in place.



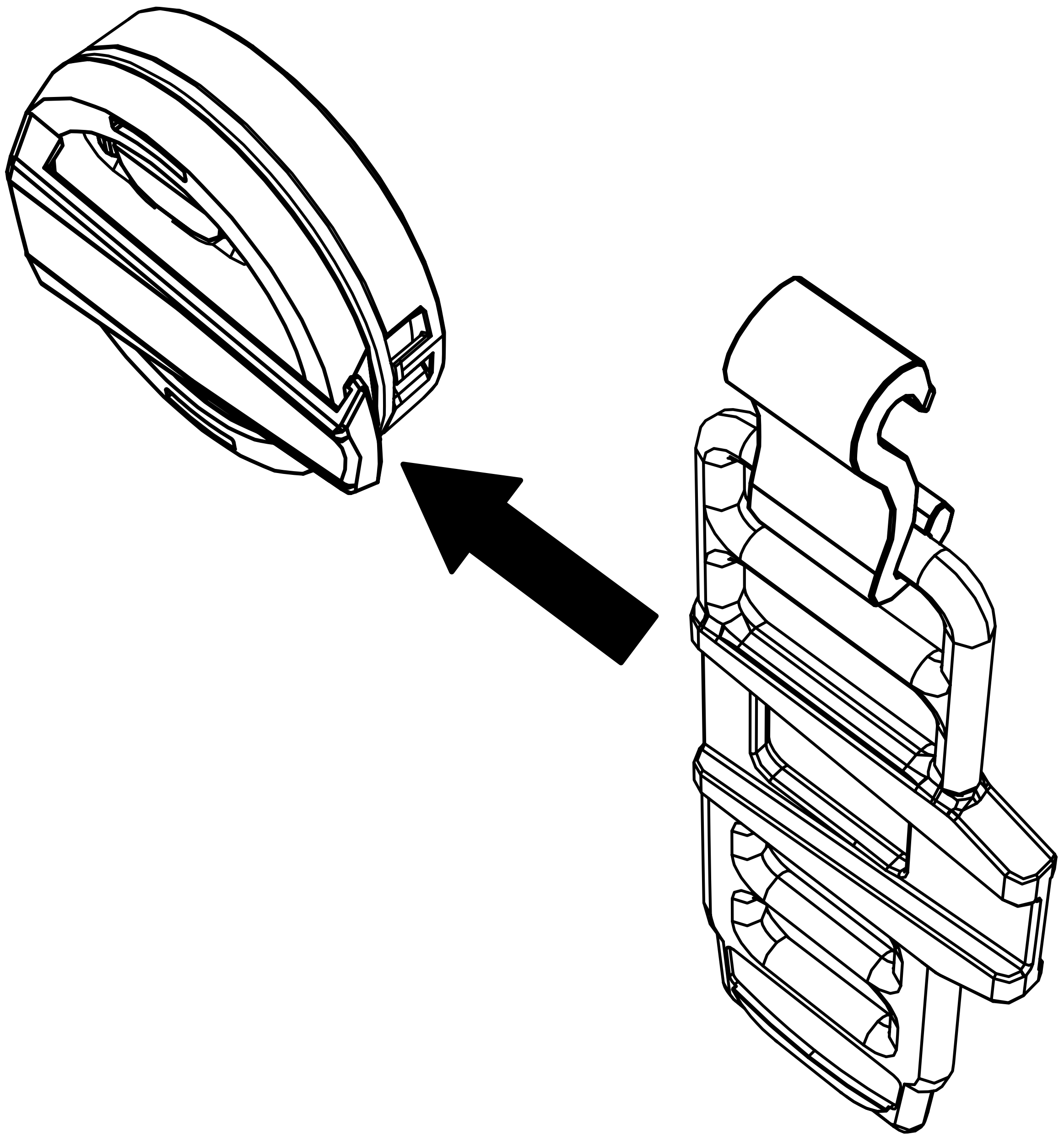
**Remove back cover to
remote charge port**



**Connect 5V USB charging
source to micro USB port**

Install the included remote control to your steering wheel as follows:

1. Slightly pull out the mount tab on the back of the KPB remote and slide the remote onto the strap as shown below, firmly pushing until you feel a click. The Remote may be removed from the mounting clip and strap using a slight twisting motion.



2. Place the KPB onto the wheel facing the user in the position in which it will be most used. The remote may be latched to the mounting strap in 4 different configurations.

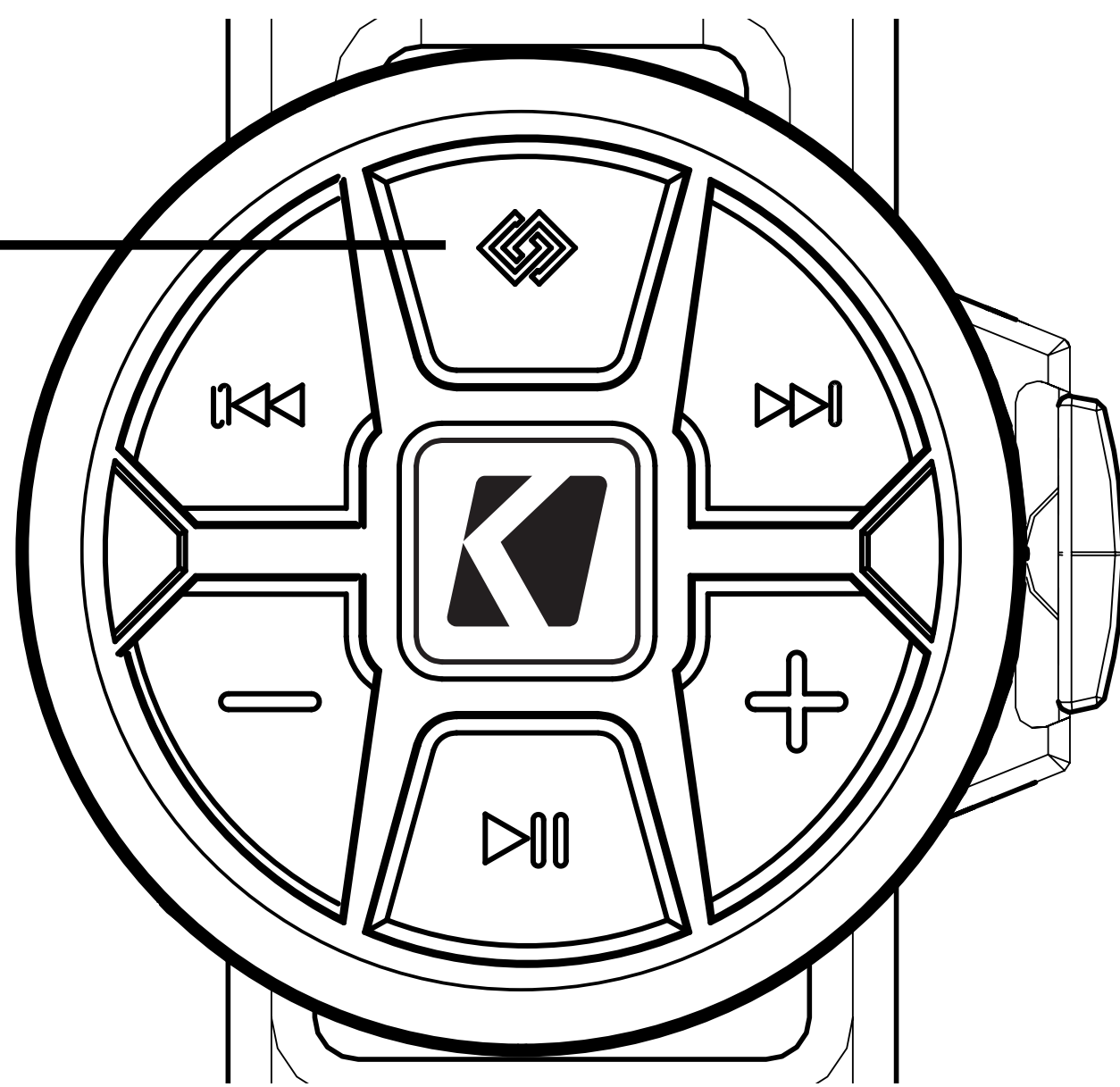
2. With the latch facing the front of the remote, place the two arms of the remote control around the steering wheel.

3. Pull the latch down over the open slot on the adjacent arm.

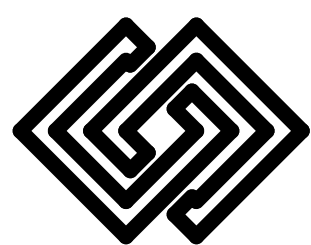
Remote Control Operation



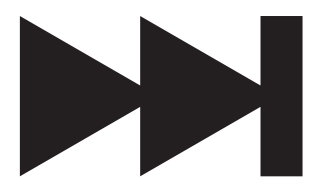
Sync to KPB
after charging
and mounting



Short Press - Previous Track
Long Press - Rewind



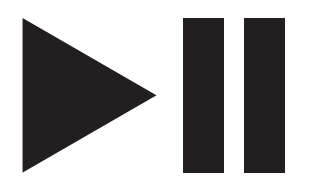
Double-Press - Sync to KPB
Short Press - Change Input Source
Long Press - Enter Bluetooth Pairing Mode



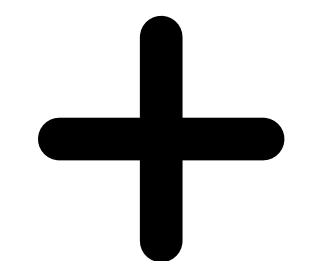
Short Press - Next Track
Long Press - Fast Forward



Decrease Volume



Short Press - Play/Pause or Mute



Increase Volume

Troubleshooting

If the KPB becomes frozen or stuck during algorithmic calculation, does not appear to be working, or gives an error code, check the obvious things first such as blown fuses, poor or incorrect wiring connections, incorrect setting of gain controls, etc.

No power? With a Volt Ohm Meter (VOM) check the following: ❶ +12 volt power terminal (should read +12V to +16V) ❷ Check for reversed power and ground connections ❸ Ground terminal, for proper conductivity. ❹ Check fuses.

Power on, no signal? Check the following: ❶ AUX In/Out connections and cables ❷ Test audio source signal, either with a “known good” output device or other means. ❸ Audio source volume & KPB output volume are increased.

Bluetooth device will not connect? On your mobile device: ❶ Turn Bluetooth off, then on again. ❷ Remove ‘KPB1/2 KICKER’ from the Bluetooth menu. Then pair again (see page 10). ❸ Move your mobile device closer to the speaker. Avoid obstacles that may block the wireless signal. ❹ Perform a factory reset by pressing and holding the PLAY/PAUSE button for 10 seconds (Bluetooth devices must be re-paired after factory reset).

No or low output? ❶ Check the settings on the audio source. ❷ Check the speaker wiring, including AUX input and Line-level connections.

KPB frozen or stuck in operating procedure? ❶ Perform a factory reset on the KPB ❷ Cycle the power

Broadcast Mode will not engage? ❶ Follow the instructions to enter Broadcast Mode on page 11. ❷ Perform a factory reset on all Broadcasting and Receiving KPBs.

No Remote Function? ❶ Charge for at least 3 hours with a known-good 5V USB cable ❷ Double press the SOURCE button to link.

CAUTION: When jump starting the vehicle, be sure that connections made with jumper cables are correct. Improper connections can result in blown fuses as well as the failure of other critical systems in the vehicle.

If you have more questions about the installation or operation of your new KICKER product, see the Authorized KICKER Dealer where you made your purchase. For more advice on installation, click on the SUPPORT tab on the KICKER homepage, www.KICKER.com. Choose the TECHNICAL SUPPORT tab, choose the subject you are interested in, and then download or view the corresponding information. Please E-mail support@KICKER.com or call Technical Services (405) 624-8583 for unanswered or specific questions.

Warranty

When purchased from an Authorized KICKER Dealer, KICKER warrants this product to be free from defects in material and workmanship under normal use for a period of TWO (2) YEARS from date of original purchase with receipt. If this product is identified as “Refurbished” or “B Goods”, the warranty is limited to a period of THREE (3) MONTHS from the date of original purchase. In all cases you must have the original receipt. Should service be necessary under this warranty for any reason due to manufacturing defect or malfunction during the warranty period, KICKER will repair or replace (at its discretion) the defective merchandise with equivalent merchandise. Warranty replacements may have cosmetic scratches and blemishes. Discontinued products may be replaced with more current equivalent products. This warranty is valid only for the original purchaser and is not extended to owners of the product subsequent to the original purchaser. Any applicable implied warranties are limited in duration to a period of the express warranty as provided herein beginning with the date of the original purchase at retail, and no warranties, whether express or implied, shall apply to this product thereafter. Some states do not allow limitations on implied warranties; therefore, these exclusions may not apply to you. This warranty gives you specific legal rights; however you may have other rights that vary from state to state.

WHAT TO DO IF YOU NEED WARRANTY OR SERVICE:

Defective merchandise should be returned to your local Authorized Stillwater Designs (KICKER) Dealer for warranty service. Assistance in locating an Authorized Dealer can be found at www.KICKER.com or by contacting Stillwater Designs directly. You can confirm that a dealer is authorized by asking to see a current authorized dealer window decal.

If it becomes necessary for you to return defective merchandise directly to Stillwater Designs (KICKER), call the KICKER Customer Service Department at (405) 624-8510 for a Return Merchandise Authorization (RMA) number. Package only the defective items in a package that will prevent shipping damage, and return to:

Stillwater Designs
3100 North Husband St
Stillwater, OK 74075

The RMA number must be clearly marked on the outside of the package. Please return only defective components. The return of functioning items increases your return freight charges. Non-defective items will be returned freight-collect to you. For example, if a subwoofer is defective, only return the defective subwoofer, not the entire enclosure. Include a copy of the original receipt with the purchase date clearly visible, and a “proof-of-purchase” statement listing the Customer’s name, Dealer’s name and invoice number, and product purchased. Warranty expiration on items without proof-of-purchase will be determined from the type of sale and manufacturing date code. Freight must be prepaid; items sent freight-collect, or Cash-On-Demand, will be refused.

WHAT IS NOT COVERED?

This warranty is valid only if the product is used for the purpose for which it was designed. It does not cover:

- o Damage due to improper installation
- o Subsequent damage to other components
- o Damage caused by exposure to moisture, excessive heat, chemical cleaners, and/or UV radiation
- o Damage through negligence, misuse, accident or abuse. Repeated returns for the same damage may be considered abuse
- o Any cost or expense related to the removal or reinstallation of product
- o Speakers damaged due to amplifier clipping or distortion
- o Items previously repaired or modified by any unauthorized repair facility
- o Return shipping on non-defective items
- o Products with tampered or missing barcode labels
- o Products with tampered or missing serial numbers
- o Products returned without a Return Merchandise Authorization (RMA) number
- o Products purchased from an UNAUTHORIZED dealer
- o Freight Damage
- o The cost of shipping product to KICKER
- o Service performed by anyone other than KICKER

HOW LONG WILL IT TAKE?

KICKER strives to maintain a goal of one week turnaround for all electronics (amplifiers, crossovers, equalizers, etc.) returns. Delays may be incurred if lack of replacement inventory or parts is encountered. Failure to follow these steps may void your warranty. Any questions can be directed to the KICKER Customer Service Department at (405) 624-8510. Contact your International KICKER dealer or distributor concerning specific procedures for your country’s warranty policies.

KPB1 PowerBar™



Info Card | Tarjeta de Información | Carte Info | Infokarte

Scan here for
owner's manual
Escanee aquí para manual
del Propietario



Scannen Sie hier nach
benutzerhandbuch
Scannez ici pour manuel
d'utilisation

Thank you and congratulations on your purchase of the KICKER KPB1 PowerBar! The PowerBar-series are a bar-mount outdoor audio solution, featuring an IP66 rating for weatherproof resiliency, Bluetooth wireless connectivity, and an uncompromising amount of power at 150W. Whether you're off-road, at the beach, on the links or anywhere you're missing the music, the KPB1 is ready to brave the elements with you.

¡Gracias y enhorabuena por la compra de KICKER KPB1 PowerBar! La serie PowerBar es una solución de audio para exteriores montada en barra, con una clasificación IP66 para resistencia a la intemperie, conectividad inalámbrica Bluetooth y una cantidad de potencia sin concesiones a 150W. Ya sea que esté fuera de la carretera, en la playa, en los enlaces o en cualquier lugar donde se esté perdiendo la música, el KPB1 está listo para desafiar los elementos con usted.

Merci et félicitations pour votre achat du KICKER KPB1 PowerBar! La série PowerBar est une solution audio extérieure montée sur barre, avec un indice de protection IP66 pour la résistance aux intempéries, une connectivité sans fil Bluetooth et une puissance sans compromis de 150 W. Que vous soyez hors route, à la plage, sur les liens ou partout où vous manquez la musique, le KPB1 est prêt à affronter les éléments avec vous.

Vielen Dank und herzlichen Glückwunsch zum Kauf der KICKER KPB1 PowerBar! Die PowerBar-Serie ist eine Outdoor-Audiolösung für die Baranmontage mit Schutzart IP66 für wetterfeste Ausfallsicherheit, drahtlose Bluetooth-Konnektivität und kompromisslose Leistung bei 150 W. Egal, ob Sie im Gelände, am Strand, auf den Links oder überall dort sind, wo Ihnen die Musik fehlt, der KPB1 ist bereit, den Elementen mit Ihnen zu trotzen.

Sincerely
Steve Irby
President/CEO

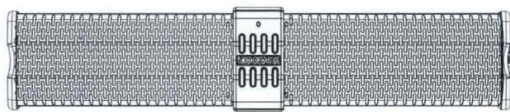
Sinceramente
Steve Irby
Presidente y CEO

Cordialement
Steve Irby
Président et PDG

Mit freundlichen Grüßen
Steve Irby
Präsident und Geschäftsführer

WIRING | CABELADO | CÂBLAGE | VERKABELUNG:

IP66 Weatherproof | IP66 resistente a la intemperie
IP66 résistant aux intempéries | IP66 Wetterfest



Installation tools not provided. 5mm and 6mm Allen wrenches required. **Make sure to turn off your Powerbar when not in use. If storing the vehicle, we recommend removing the Powerbar's fuse to safeguard the vehicle's battery. Device draws power even when off. See user manual for power hookup recommendations.**

No se proporcionan herramientas de instalación. Se requieren llaves Allen 5mm y 6mm. **Asegúrese de apagar su Powerbar cuando no esté en uso. Si almacena el vehículo, le recomendamos que quite el fusible de la barra de potencia para proteger la batería del vehículo. El dispositivo consume energía incluso cuando está apagado. Consulte el manual del usuario para obtener recomendaciones sobre conexiones eléctricas.**

Outils d'installation non fournis. Clés Allen 5mm et 6mm requises. **Assurez-vous d'éteindre votre Powerbar lorsque vous ne l'utilisez pas. En cas de stockage du véhicule, nous vous recommandons de retirer le fusible de la Powerbar pour protéger la batterie du véhicule. L'appareil consomme de l'énergie même lorsqu'il est éteint. Voir le manuel de l'utilisateur pour les recommandations de branchement électrique.**

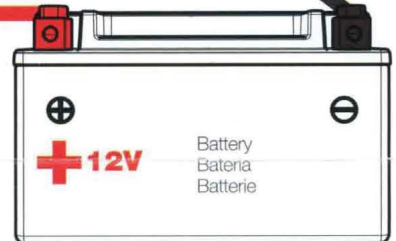
Installationswerkzeuge nicht mitgeliefert. Inbusschlüssel 5mm und 6mm erforderlich. **Stellen Sie sicher, dass Sie die Powerbar ausschalten, wenn Sie sie nicht verwenden. Wenn Sie das Fahrzeug abstellen, empfehlen wir, die Sicherung der Powerbar zu entfernen, um die Fahrzeugbatterie zu schützen. Das Gerät wird auch im ausgeschalteten Zustand mit Strom versorgt. Empfehlungen zum Stromanschluss finden Sie im Benutzerhandbuch. Zeit Strom verbraucht.**

Fuse (15A ATC)
Fusible (15 A ATC)
Sicherung (15 A ATC)

black
negra
noire
schwarz

grey
gris
grise
grau

LINE OUT (2.5V, 3.5mm)
Salida de línea (2,5V ; 3,5mm)
Sortie ligne (2,5 V ; 3,5mm)
Zeilenausgang (2,5 V ; 3,5mm)



AUX IN (1V, 3.5mm)
Entrada de AUX (1V, 3,5mm)
Entrée AUX (1 V ; 3,5mm)
AUX-Eingang (1 V ; 3,5mm)

Make certain the power source is +12V DC. See user manual for using Broadcast Mode to connect and share music with another PowerBar. See user manual for installation and operation of the included RF remote control. See user manual for power hookup recommendations. See user manual for steps when storing the vehicle. Use short and long presses of the button panel and remote control to operate the KPB1. Some input sources do not support all functions.

Asegúrese de que la fuente de alimentación sea de +12V CC. Consulte el manual del usuario para utilizar el modo de transmisión para conectar y compartir música con otra PowerBar. Consulte el manual del usuario para la instalación y operación del control remoto de RF incluido. Consulte el manual del usuario para obtener recomendaciones sobre conexiones eléctricas. Consulte el manual del usuario para conocer los pasos necesarios para almacenar el vehículo. Utilice pulsaciones cortas y largas del panel de botones y del control remoto para operar el KPB1. Algunas fuentes de entrada no admiten todas las funciones.

Assurez-vous que la source d'alimentation est +12 V CC. Consultez le manuel d'utilisation pour utiliser le mode de diffusion pour brancher et partager de la musique avec un autre PowerBar. Consultez le manuel de l'utilisateur pour l'installation et l'utilisation de la télécommande RF incluse. Voir le manuel de l'utilisateur pour les recommandations de branchement électrique. Consultez le manuel de l'utilisateur pour connaître les étapes de stockage du véhicule. Utilisez des pressions courtes et longues sur le panneau de touches et la télécommande pour faire fonctionner le KPB1. Certaines sources d'entrée ne prennent pas en charge toutes les fonctions.

Stellen Sie sicher, dass die Stromquelle +12 V ist. Informationen zur Verwendung des Broadcast-Modus zum verbinden und Freigeben von Musik mit einer anderen PowerBar finden Sie im Benutzerhandbuch. Informationen zur Installation und zum Betrieb der mitgelieferten HF-Fernbedienung finden Sie im Benutzerhandbuch. Empfehlungen zum Stromanschluss finden Sie im Benutzerhandbuch. Schritte zum Lagerung des Fahrzeugs finden Sie in der Bedienungsanleitung. Verwenden Sie kurzes und langes Drücken des Tastenfelds und der Fernbedienung, um den KPB1 zu bedienen. Einige Eingabequellen unterstützen nicht alle Funktionen.

MOUNTING | MONTAJE | MONTAGE

With three different sizes of clamp rings provided, it's easy to choose the Clamp Ring best suited for your bar or application. Screw the Mounting Bases to the PowerBar using the Mounting Screws. Place the Clamp Rings around your mounting bar and secure the Clamp Rings to the Mounting Bases using the Clamp Screws. The KPB1 may be mounted above or below the bars, while the Mounting Base may be rotated $\pm 30^\circ$ to accommodate some curved bars.

Con tres tamaños diferentes de anillos de sujeción proporcionados, es fácil elegir el anillo de sujeción más adecuado para su barra o aplicación. Atornille las bases de montaje al PowerBar con los tornillos de montaje. Coloque los anillos de sujeción alrededor de la barra de montaje y asegure los anillos de sujeción a las bases de montaje con los tornillos de sujeción. El KPB1 se puede montar encima o debajo de las barras, mientras que la base de montaje se puede girar $\pm 30^\circ$ para acomodar algunas barras curvas.

Avec trois tailles différentes d'anneaux de serrage fournis, il est facile de choisir l'anneau de serrage le mieux adapté à votre barre ou à votre application. Vissez les bases de montage à la PowerBar à l'aide des vis de montage. Placez les anneaux de serrage autour de votre barre de montage et fixez les anneaux de serrage aux bases de montage à l'aide des vis de serrage. Le KPB1 peut être monté au-dessus ou au-dessous des barres, tandis que la base de montage peut être tournée de $\pm 30^\circ$ pour accueillir certaines barres courbes.

Mit drei verschiedenen Größen von Klemmringen ist es einfach, den Klemmring auszuwählen, der für Ihre Stange oder Anwendung am besten geeignet ist. Schrauben Sie die Montagebasen mit den Befestigungsschrauben an die PowerBar. Legen Sie die Klemmringe um Ihre Montagestange und befestigen Sie die Klemmringe mit den Klemmschrauben an den Montagebasen. Der KPB1 kann über oder unter den Stangen montiert werden, während die Montagebasis um $\pm 30^\circ$ gedreht werden kann, um einige gekrümmte Stangen aufzunehmen. While the Mounting Base may be rotated $\pm 30^\circ$.

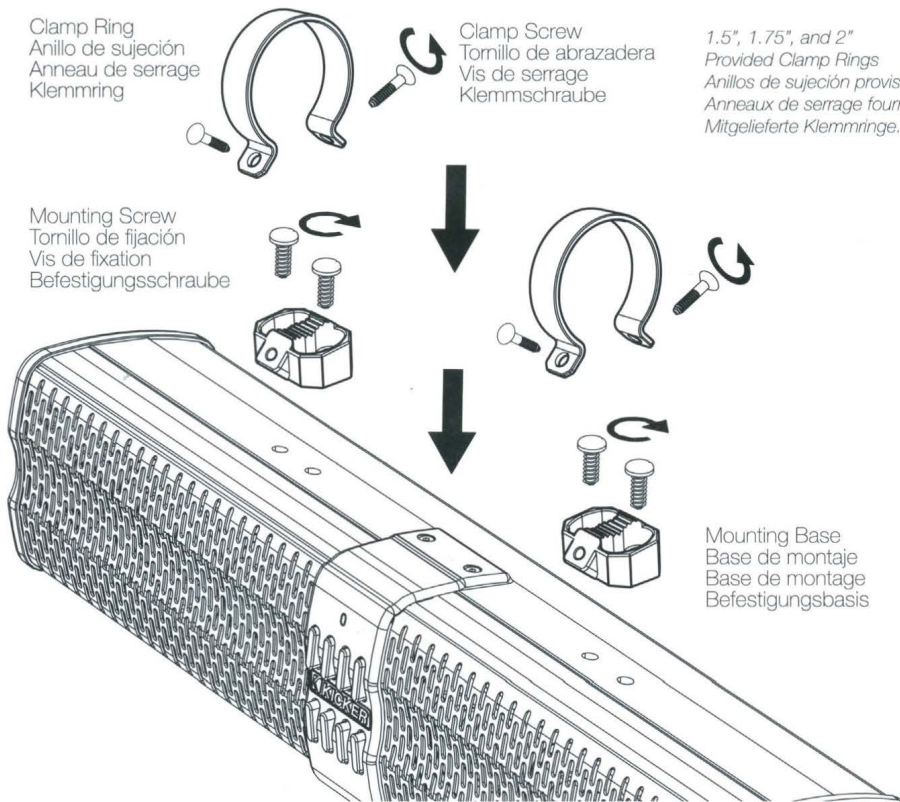
Clamp Ring
Anillo de sujeción
Anneau de serrage
Klemmring

Clamp Screw
Tornillo de abrazadera
Vis de serrage
Klemmschraube

1.5", 1.75", and 2"
Provided Clamp Rings
Anillos de sujeción provistos
Anneaux de serrage fournis
Mitgelieferte Klemmringe.

Mounting Screw
Tornillo de fijación
Vis de fixation
Befestigungsschraube

Mounting Base
Base de montage
Base de montage
Befestigungsbasis



PAIRING | EMPAREJAMIENTO | APPAIRAGE | KOPPLUNG

Power on the PowerBar by performing a long press (1 second) of the POWER Button. Enter Pairing mode by performing a long press of the Bluetooth (SOURCE) button while the PowerBar is powered on. The STATUS LED will flash blue while in pairing mode. When in Bluetooth Pairing mode, the PowerBar will display as "KPB1 KICKER" on your Bluetooth device. You may also exit pairing mode by pressing the SOURCE button. Once a Bluetooth device is connected, the light will be solid blue. Press the SOURCE button to switch between Bluetooth and AUX input sources. The STATUS LED will be solid red when in AUX mode.

When the PowerBar powers on, or enters, Bluetooth mode, it will automatically begin to search for and connect with the last connected device. If that device is not found, it will continue to search for the other saved connections until a connection is established. Use the EQ button to toggle between 4 EQ modes: KICKER, LOUD, SOUND QUALITY, and VOICE.

Encienda el PowerBar presionando prolongadamente (1 segundo) el botón de ENCENDIDO. Ingrese al modo de emparejamiento presionando prolongadamente el botón de Bluetooth (FUENTE) mientras el PowerBar está encendido. El LED DE ESTADO parpadeará en azul mientras esté en modo de emparejamiento. Cuando esté en el modo de emparejamiento de Bluetooth, el PowerBar se mostrará como "KPB1 KICKER" en su dispositivo Bluetooth. También puede salir del modo de emparejamiento presionando el botón SOURCE. Una vez que se conecte un dispositivo Bluetooth, la luz será azul fija. Presione el botón SOURCE para cambiar entre las fuentes de entrada Bluetooth y AUX. El LED de ESTADO estará en rojo fijo cuando esté en modo AUX.

Cuando el PowerBar se enciende o ingresa al modo Bluetooth, comenzará automáticamente a buscar y conectarse con el último dispositivo conectado. Si no se encuentra ese dispositivo, continuará buscando las otras conexiones guardadas hasta que se establezca una conexión. Utilice el botón EQ para alternar entre 4 modos de EQ: KICKER, LOUD, SOUND QUALITY y VOICE.

Mettez la PowerBar sous tension en appuyant longuement (1 seconde) sur le bouton POWER. Entrez en mode de couplage en appuyant longuement sur le bouton Bluetooth (SOURCE) pendant que la PowerBar est sous tension. La LED STATUS clignotera en bleu en mode d'appairage. En mode de couplage Bluetooth, la PowerBar s'affiche sous la forme «KPB1 KICKER» sur votre appareil Bluetooth. Vous pouvez également quitter le mode de couplage en appuyant sur le bouton SOURCE. Une fois qu'un appareil Bluetooth est connecté, le voyant sera bleu fixe. Appuyez sur le bouton SOURCE pour basculer entre les sources d'entrée Bluetooth et AUX. La LED STATUS sera rouge fixe en mode AUX.

Lorsque le PowerBar s'allume ou entre en mode Bluetooth, il commence automatiquement à rechercher et à se connecter avec le dernier appareil connecté. Si ce périphérique n'est pas trouvé, il continuera à rechercher les autres connexions enregistrées jusqu'à ce qu'une connexion soit établie. Utilisez le bouton EQ pour basculer entre 4 modes d'égalisation: KICKER, LOUD, QUALITE SONORE et VOICE.

Schalten Sie die PowerBar ein, indem Sie lange (1 Sekunde) auf die POWER-Taste drücken. Rufen Sie den Pairing-Modus auf, indem Sie lange auf die Bluetooth-Taste (SOURCE) drücken, während die PowerBar eingeschaltet ist. Die STATUS-LED blinkt im Pairing-Modus blau. Im Bluetooth-Pairing-Modus wird die PowerBar auf Ihrem Bluetooth-Gerät als „KPB1 KICKER“ angezeigt. Sie können den Pairing-Modus auch verlassen, indem Sie die SOURCE-Taste drücken. Sobald ein Bluetooth-Gerät verbunden ist, leuchtet die Anzeige blau. Drücken Sie die SOURCE-Taste, um zwischen Bluetooth- und AUX-Eingangsquellen zu wechseln. Die STATUS-LED leuchtet im AUX-Modus durchgehend rot.

Wenn sich die PowerBar im Bluetooth-Modus einschaltet oder in diesen wechselt, beginnt sie automatisch mit der Suche nach dem zuletzt verbundenen Gerät und stellt eine Verbindung mit diesem her. Wenn dieses Gerät nicht gefunden wird, sucht es weiter nach den anderen gespeicherten Verbindungen, bis eine Verbindung hergestellt ist. Verwenden Sie die EQ-Taste, um zwischen 4 EQ-Modi umzuschalten: KICKER, LOUD, SOUND QUALITY und VOICE.



SOURCE
FUENTE
LA SOURCE
QUELLE

STATUS LED
LED DE ESTADO
LED D'ÉTAT
STATUS LED

EQ PRESETS
PREAJUSTES DE EQ
PRESETS EQ
EQUALIZER PRESETS

POWER
PODER
PUISSANCE
LEISTUNG

VOLUME UP
SUBE EL VOLUMEN
MONTER LE SON
LAUTSTÄRKE ERHÖHEN

PREVIOUS TRACK / REWIND
PISTA ANTERIOR / REBOBINADO
PISTE PRÉCÉDENTE / REMBOBINAGE
VORHERIGER TRACK / REWIND

VOLUME DOWN
BAJAR VOLUMEN
BAISSER LE VOLUME
LAUTSTÄRKE RUNTER

PLAY / PAUSE / MUTE
REPRODUCIR / PAUSA / SILENCIO
LECTURE / PAUSE / MUET
SPIELEN / PAUSE / MUTE

NEXT TRACK / FAST FORWARD
SIGUIENTE PISTA / AVANCE RÁPIDO
PISTE SUIVANTE / AVANCE RAPIDE
NÄCHSTER SPUR / SCHNELL VORWÄRTS



To sync the remote control, press the SOURCE button twice.

Para sincronizar el control remoto, presione el botón de FUENTE dos veces.

Pour synchroniser la télécommande, appuyez deux fois sur le bouton SOURCE.

Drücken Sie die SOURCE-Taste zweimal, um die Fernbedienung zu synchronisieren.

If you have a problem,

STOP

Please do not return
product to the store.

**KICKER Tech Support
can assist you.**

Call us at 800-256-KICK (5425),
or contact us at support@kicker.com
with any questions or problems.

Thank you for your
KICKER purchase!

U.S. Customers Only