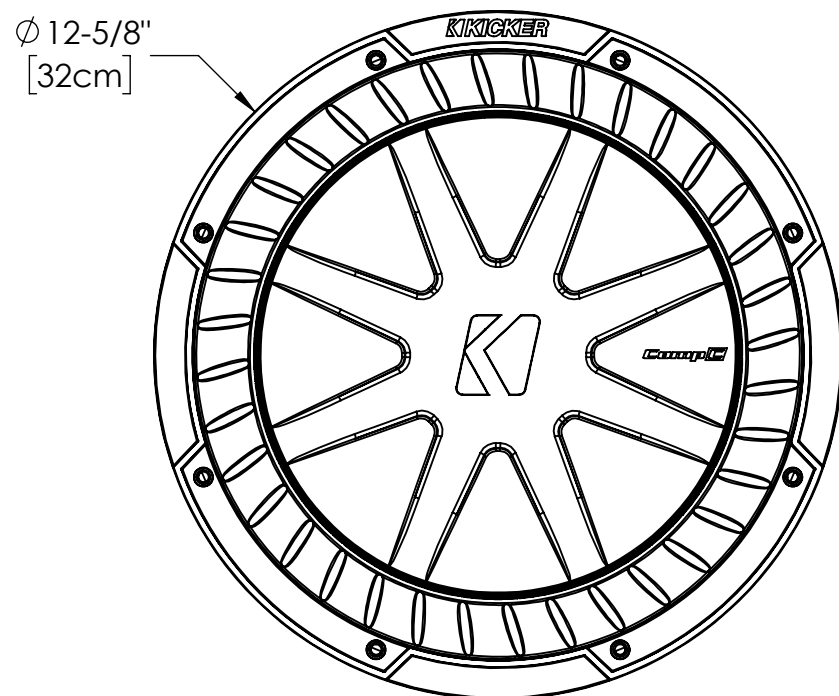
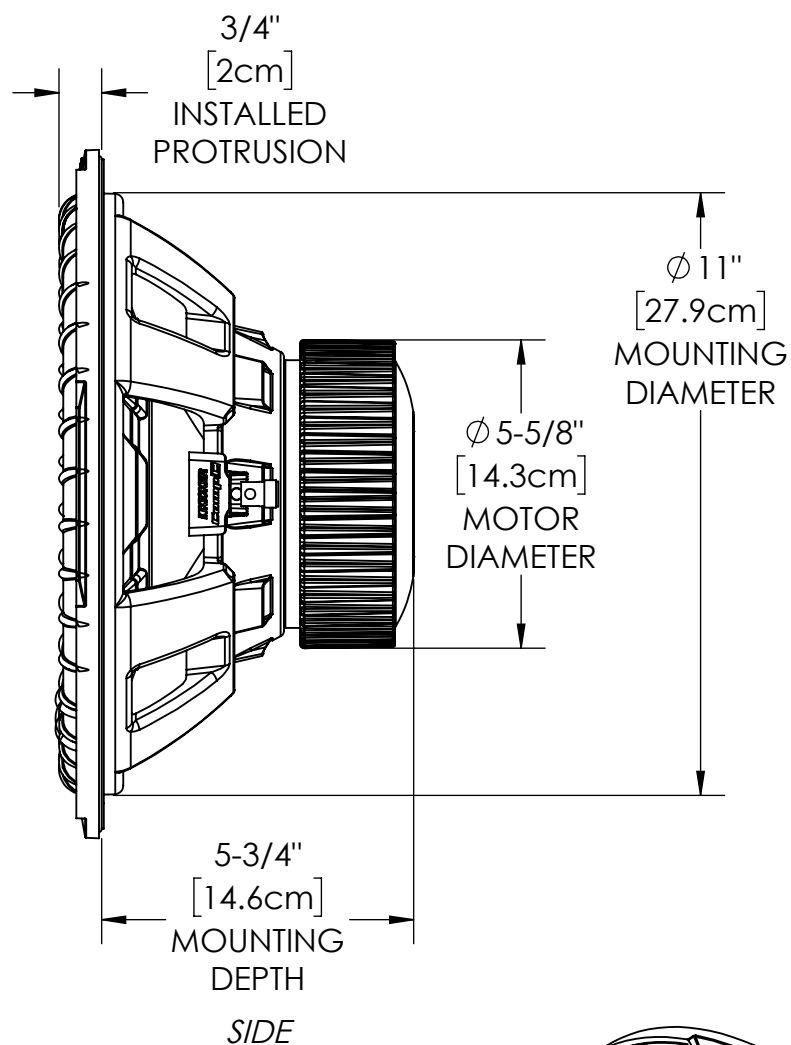


CARTON ART VIEWS/PUBLISHED DIMENSIONS SHEET

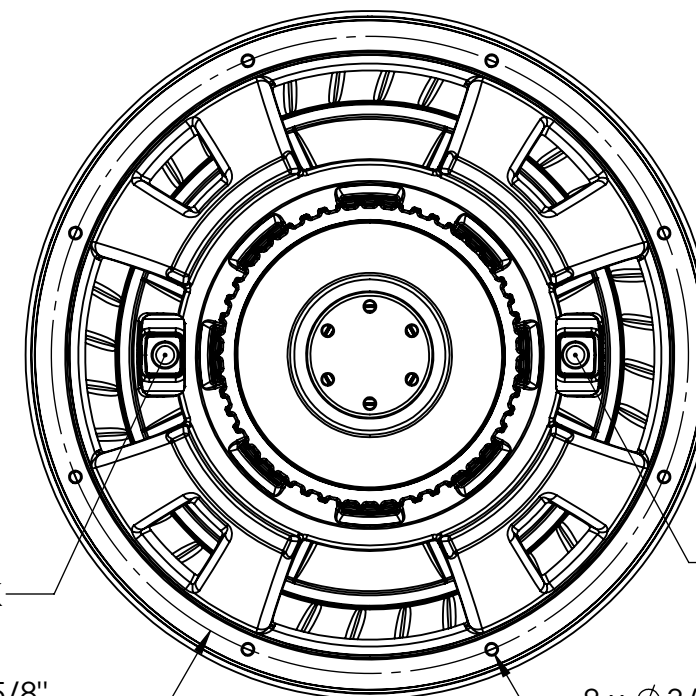
MOUNTING DEPTH DIMENSION ROUNDED UP TO NEAREST 1/16th"
measured inches convert to mm equivalent add 1.6mm=1/16th then software rounds to nearest 1/16th



FRONT



SIDE



BACK



ISOMETRIC

Item Number	Impedance
50CWCS124	4OHM SVC

CUSTOMER SERVICE DIMENSIONS

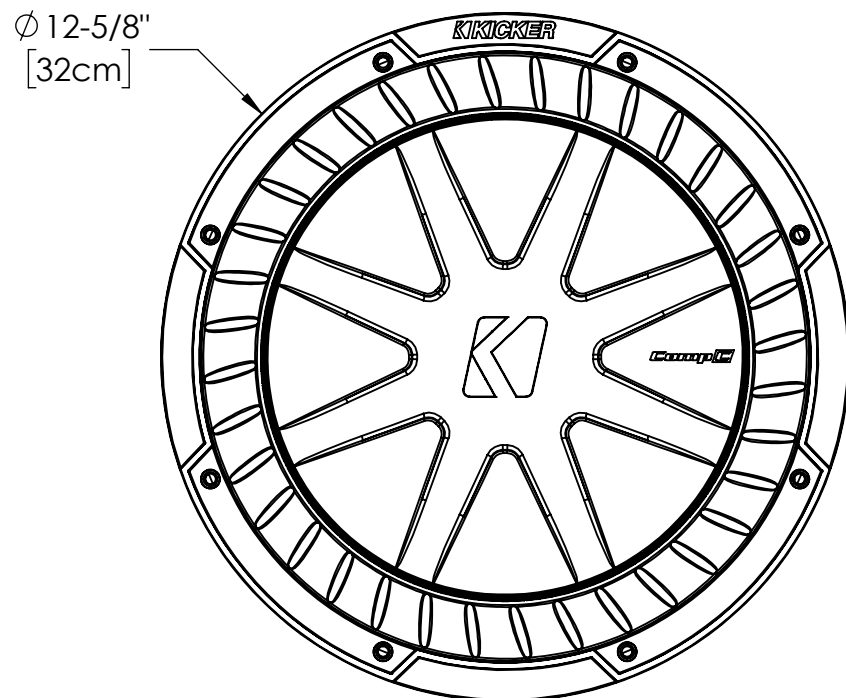


DESCRIPTION:
12" CompC Subwoofer

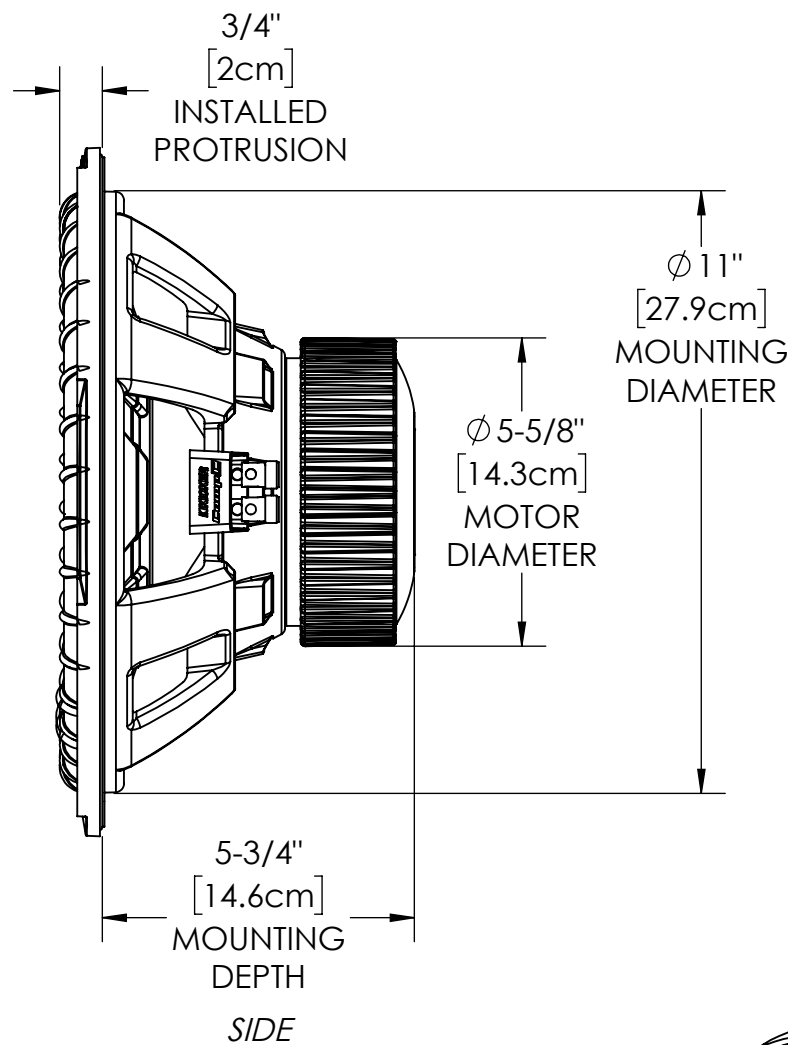
SIZE	DWG. NO.	REV	SHEET
B	50CWC12-CSD	B	4/6

CARTON ART VIEWS/PUBLISHED DIMENSIONS SHEET

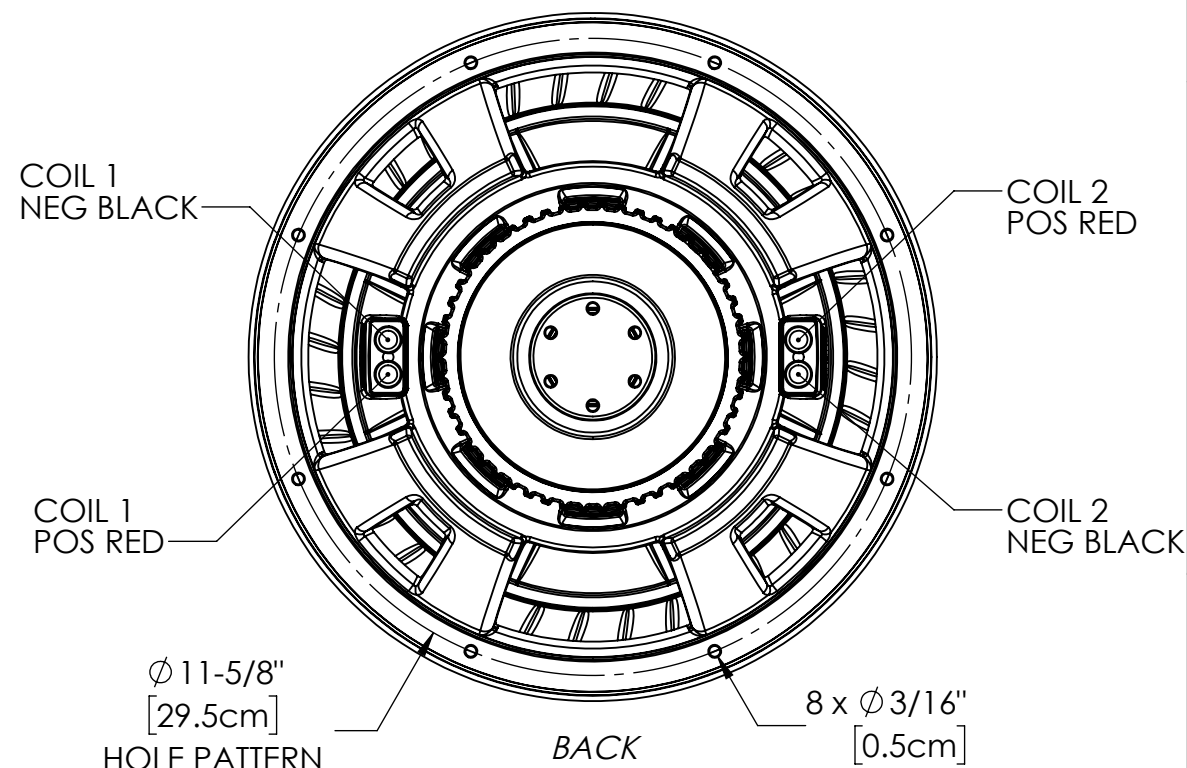
MOUNTING DEPTH DIMENSION ROUNDED UP TO NEAREST 1/16th"
measured inches convert to mm equivalent add 1.6mm=1/16th then software rounds to nearest 1/16th



FRONT



SIDE



BACK



ISOMETRIC

Item Number	Impedance
50CWCD124	4OHM DVC

CUSTOMER SERVICE DIMENSIONS



DESCRIPTION:
12" CompC Subwoofer

SIZE	DWG. NO.	REV	SHEET
B	50CWC12-CSD	B	6/6