

# KICKER®

51LX3000.1

3000 Watt Mono Class D Sub Amp; w/Smart Bass

## Specifications

### Electrical Parameters

Power (@14.4V, <1%THD+N)	<b>4Ω</b>	1100W x 1
Power (@14.4V, <1%THD+N)	<b>2Ω</b>	2000W x 1
Power (@14.4V, <1%THD+N)	<b>1Ω</b>	3000W x 1
Dynamic Power (@14.4V, <10%THD+N)	<b>1Ω</b>	3800W
Lowest Rated Impedance		1Ω
Signal to Noise Ratio (CEA)	<b>1W</b>	>-75dB
Signal to Noise Ratio	<b>Rated Power</b>	>-95dB
CMRR	<b>50Hz</b>	-40dB
Input Impedance		>20kΩ
Frequency Response		10Hz - 160Hz
Variable LoPass Filter	<b>24dB / Octave LR</b>	40Hz - 160Hz
Variable Subsonic Filter	<b>24dB / Octave LR</b>	10Hz - 80Hz
KickEQ+™ Variable Bass Boost		0dB - 6dB
KickEQ+™ Variable Center Frequency		20Hz - 80Hz
KickEQ+™ Variable Variable Bandwidth		1 - 5
Standby Current (Remote Off)		<2mA
Idle Current (Remote On)		<3A
Current Draw (Rated Power)		<200A
Remote Gain Attenuation (LXRC Included)		-26dB - 0dB
Low Level Input Sensitivity		125mV - 5V
High Level Input Sensitivity		1V - 40V
Under Voltage Protection		6.5V (warning at 10.5V)
Over Voltage Protection		16.5V (warning at 16V)
Active Thermal Management		>75°C

### What's in the box?

51LX3000.1
LX Mono Customer Information Card
LX Remote Control with Cable
Mounting Hardware
3mm Hex Key
Power Wire Cable Chart
Birth Certificate
High level Input Harness (CEA Color Standard)

### Physical Materials

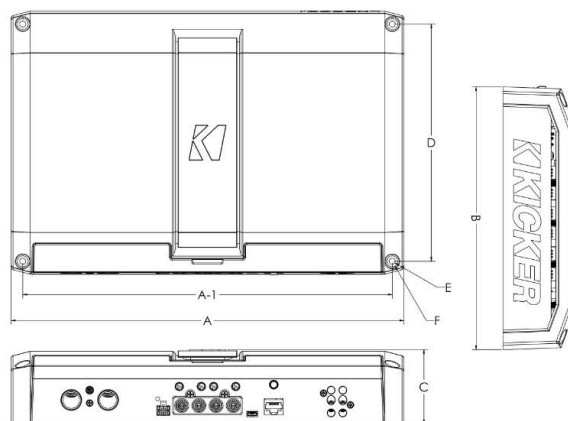
<b>Heat Sink</b>	Powder Coated Cast Aluminum
<b>End Panel</b>	Painted Injection Molded ABS Plastic
<b>Bottom Panel</b>	Powder Coated Stamped Steel
<b>Center Panel</b>	Powder Coated Stamped Steel
<b>Control Panel Cover</b>	Painted Injection Molded ABS Plastic
<b>LX Remote Control</b>	Painted Injection Molded ABS Plastic



### Features

- SHOCwave2.0™ Restores Bass in Digital Recordings
- Customize the Appearance with Reversible Center Panel
- 1-Ohm Stable for Ultimate Flexibility with Most Subwoofer Wiring Options
- Active Thermal Management for All-Day Play Time
- Unique RGB Dimmable Amp Top Plate and Bass Remote
- LED Illuminated Gain Knob with Clip Indicator
- KickEQ+™ Parametric Bass Boost
- FIT+™ Differential Inputs - Near Universal Compatibility with Source Units

### Unit Dimensions

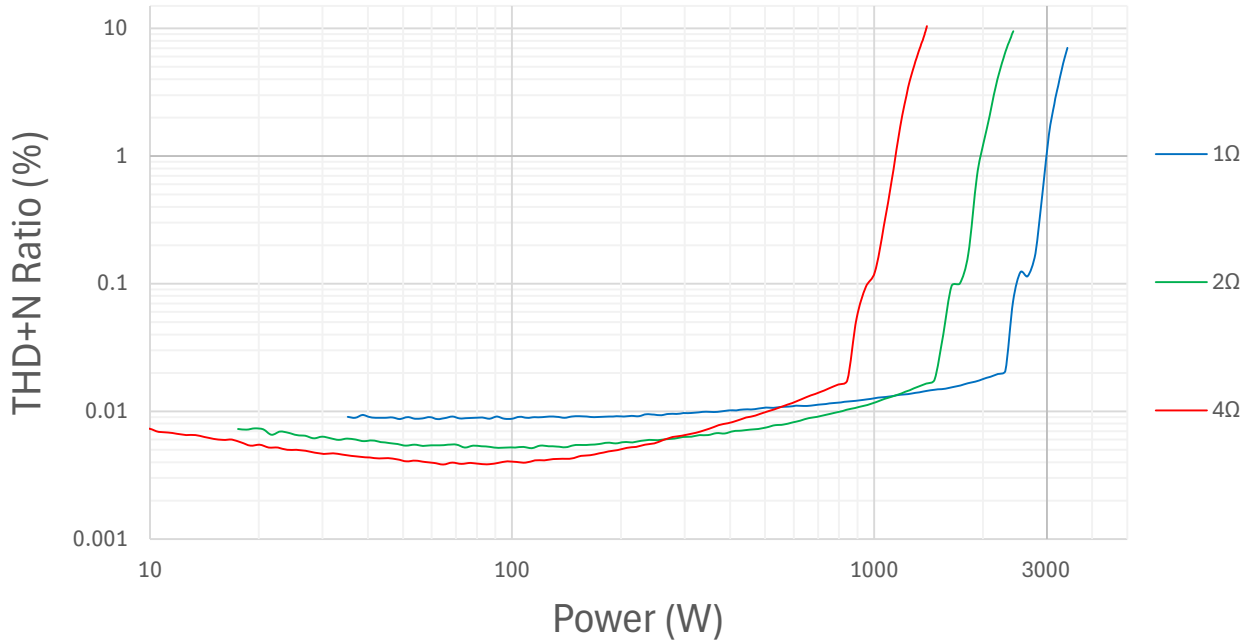


A - Overall Length	<b>12-5/8"</b>	<b>320.0mm</b>
A-1 - Mounting Holes Location - Length	<b>11-7/8"</b>	<b>301.0mm</b>
B - Overall Width	<b>8-7/16"</b>	<b>214.0mm</b>
C - Overall Height	<b>2-3/8"</b>	<b>60.2mm</b>
D - Mounting Holes Location - Width	<b>7-5/8"</b>	<b>193.0mm</b>
E - Mounting Hole Inner Diameter	<b>3/16"</b>	<b>5.0mm</b>
F - Mounting Hole Outer Diameter	<b>3/8"</b>	<b>9.0mm</b>

# Technical Graph Data

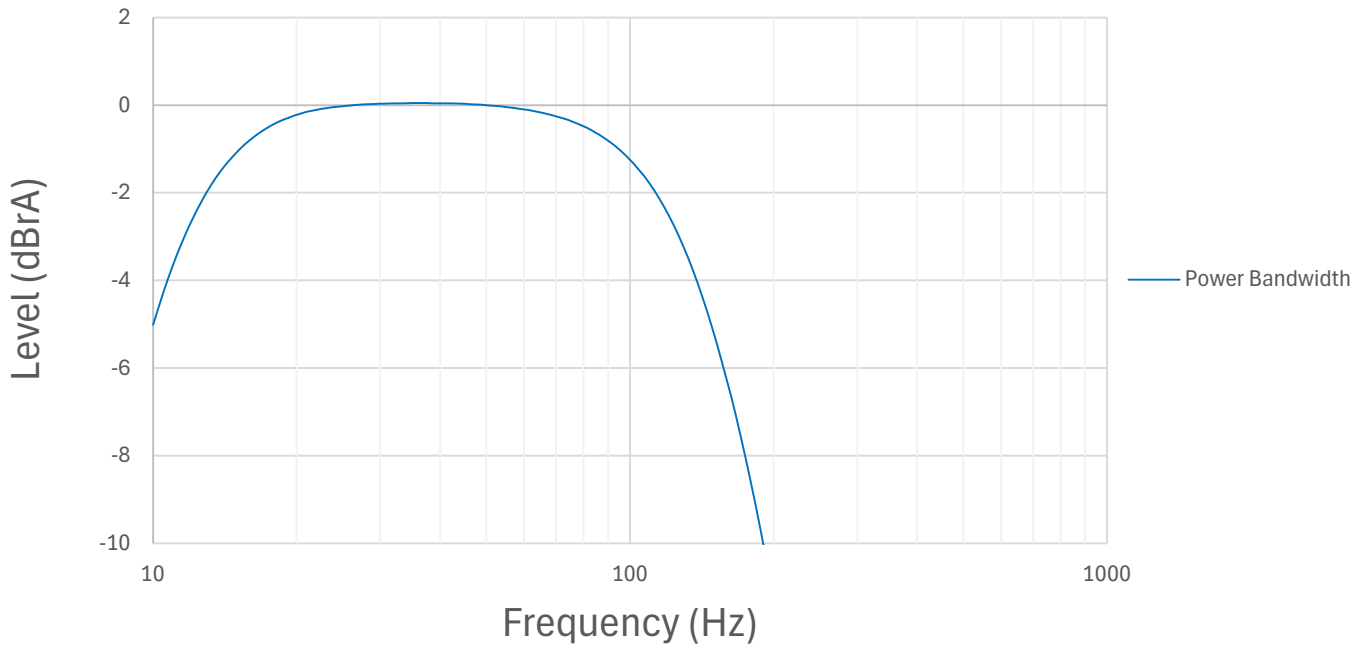
## THD+N vs. Power (W) @14.4VDC

THD+N Ratio (%) vs. Power (W)



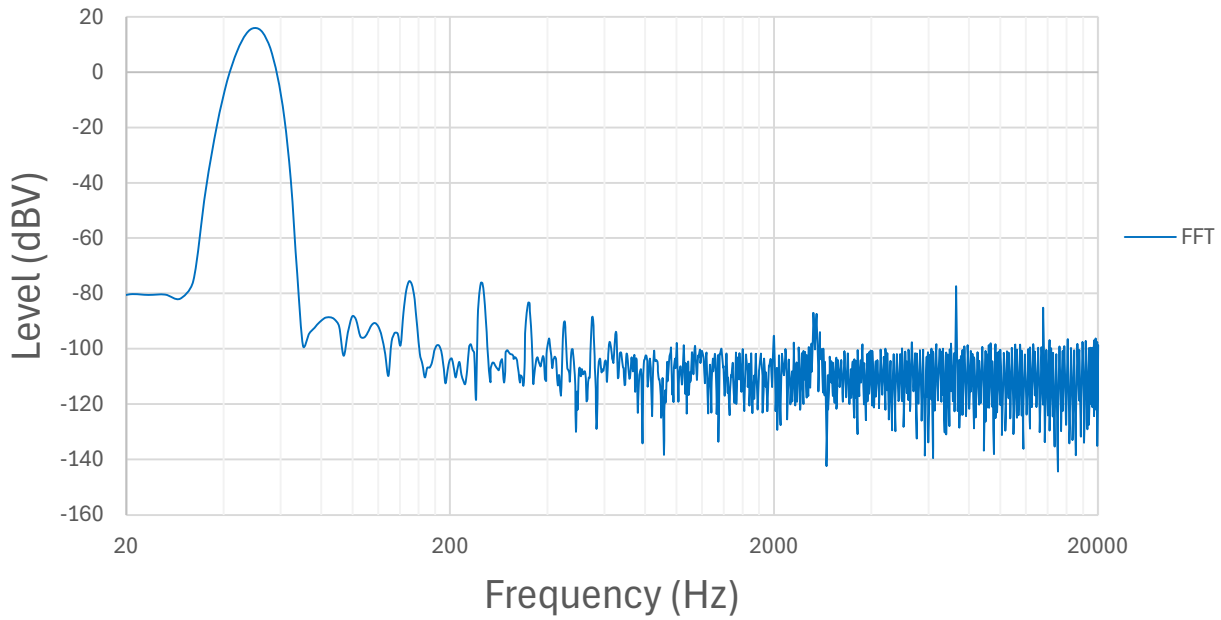
## Power Bandwidth (4Ω) @14.4VDC

Power Bandwidth, re: Rated Power (1100W @ 4Ω)



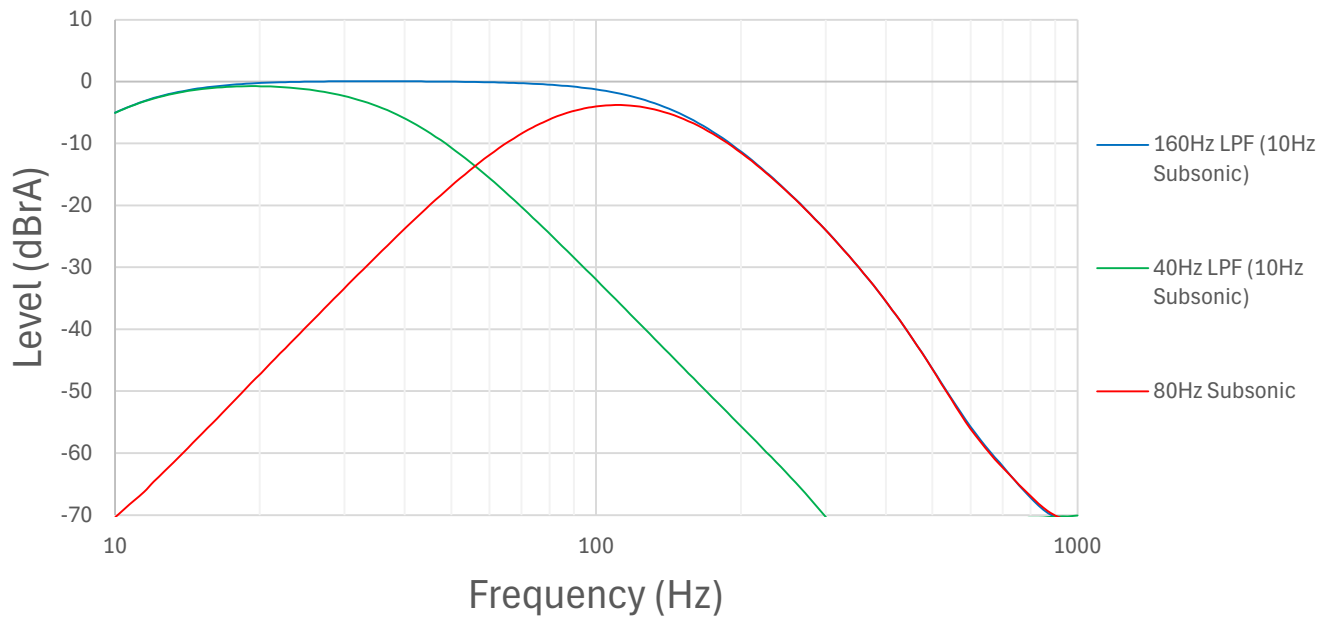
# FFT

## FFT (50Hz Signal)



# Crossover Frequency Response

## Crossover Frequency Response



## KickEQ+™

