

KICKER®

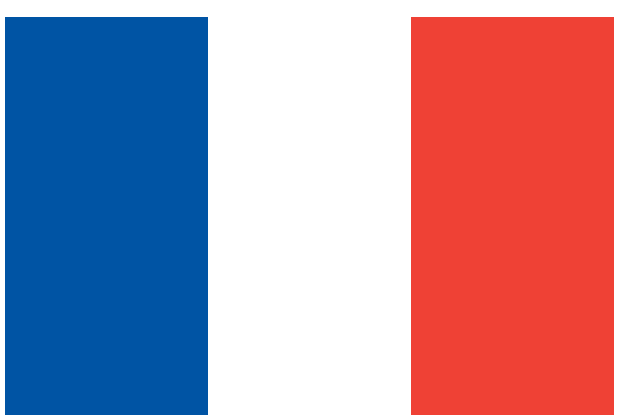
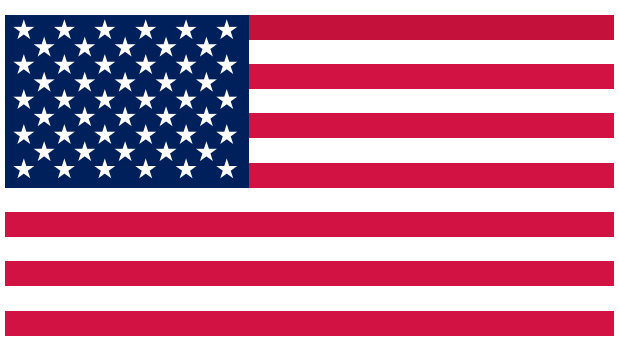
Owner's Manual
Manual del Propietario
Manuel d'utilisation
Benutzerhandbuch

KS COAX SPEAKERS

Altavoz Coax KS

KS Koax-System

Haut-parleurs Coaxiaux KS



Contents

Overview	3
Specifications	4
Installation	5
Wiring	5
Mounting.....	8
Warranty	12

Overview

IMPORTANT SAFETY WARNING

PROLONGED CONTINUOUS OPERATION OF AN AMPLIFIER, SPEAKER, OR SUBWOOFER IN A DISTORTED, CLIPPED OR OVER-POWERED MANNER CAN CAUSE YOUR AUDIO SYSTEM TO OVERHEAT, POSSIBLY CATCHING FIRE AND RESULTING IN SERIOUS DAMAGE TO YOUR COMPONENTS AND/OR VEHICLE. AMPLIFIERS REQUIRE UP TO 4 INCHES (10CM) OPEN VENTILATION. SUBWOOFERS SHOULD BE MOUNTED WITH AT LEAST 1 INCH (2.5CM) CLEARANCE BETWEEN THE FRONT OF THE SPEAKER AND ANY SURFACE. KICKER PRODUCTS ARE CAPABLE OF PRODUCING SOUND LEVELS THAT CAN PERMANENTLY DAMAGE YOUR HEARING! TURNING UP A SYSTEM TO A LEVEL THAT HAS AUDIBLE DISTORTION IS MORE DAMAGING TO YOUR EARS THAN LISTENING TO AN UNDISTORTED SYSTEM AT THE SAME VOLUME LEVEL. THE THRESHOLD OF PAIN IS ALWAYS AN INDICATOR THAT THE SOUND LEVEL IS TOO LOUD AND MAY PERMANENTLY DAMAGE YOUR HEARING. PLEASE USE COMMON SENSE WHEN CONTROLLING VOLUME.

The KICKER KS speakers offer an excellent upgrade to your vehicle's factory sound system, delivering great full-range sound at an amazing value! Whether dropping the KS speakers in a factory location or customizing your install, their high-efficiency design means less power is needed to play your music, while our use of advanced materials and construction techniques ensures optimal performance for years to come. Designed for versatile applications without sacrificing sound quality or aesthetics, we hope you have the chance to combine these new, upgraded audiophile components with our all-new KEY Smart Amplifiers and a KICKER sub for an audio experience you won't forget!

Specifications

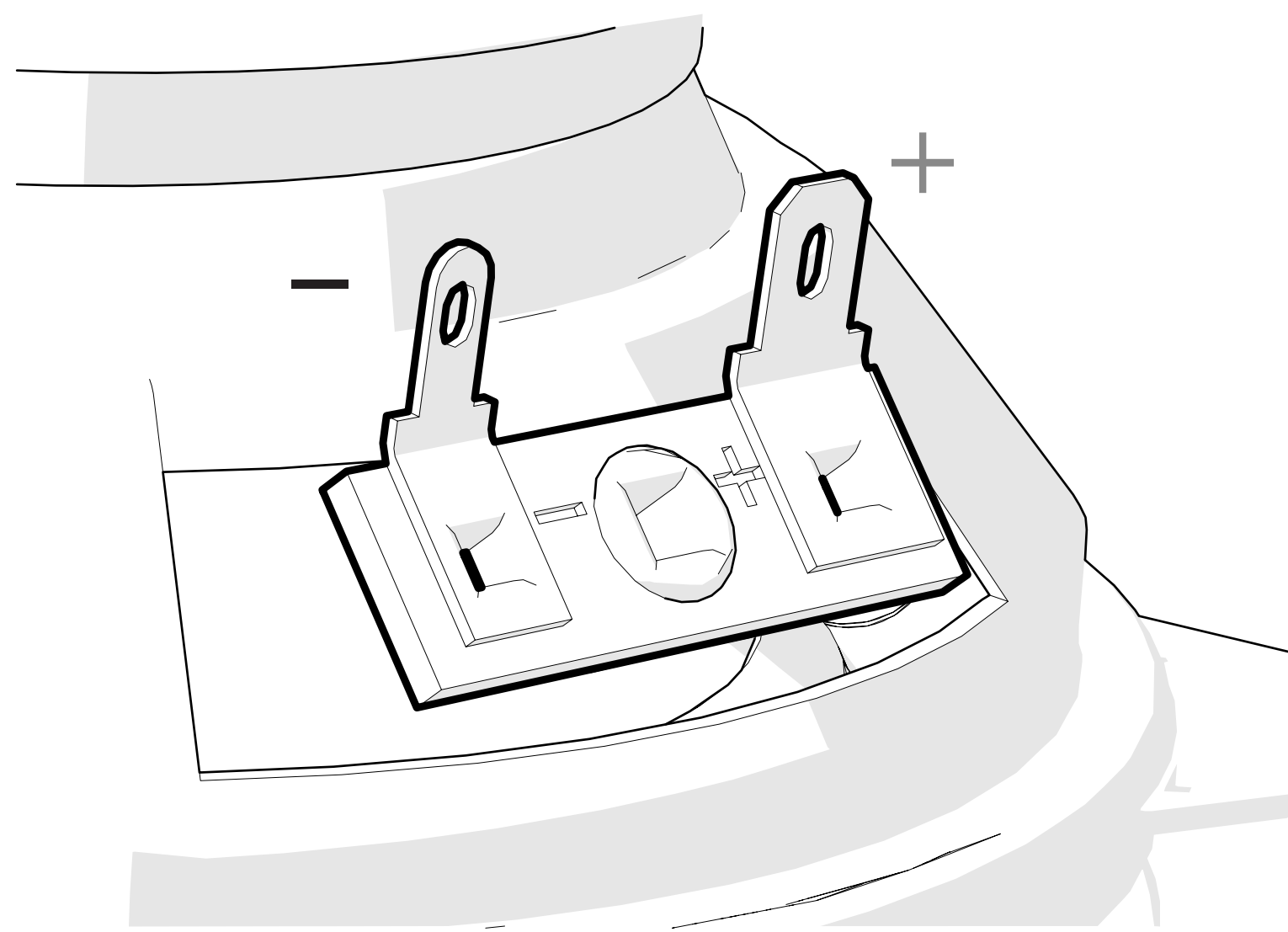
Model:	KSC270	KSC350	KSC40	KSC460	KSC4100	KSC50
Speaker Design	1 - Way	2 - Way	2 - Way	2 - Way	2 - Way	2 - Way
Woofer [in, mm]	2-3/4, 70	3-1/2, 89	4, 100	4x6, 100x160	4x10, 100x250	5-1/4, 130
Mid [in, mm]	–	–	–	–	–	–
Tweeter [in, mm]	–	1/2, 13	1/2, 13	1/2, 13	1/2, 13	3/4, 20
Rated Impedance [Ω]	4	4	4	4	4	4
Peak Power Handling [Watts]	100	100	150	150	150	150
Recommended Amplifier Power [Watts RMS]	15-50	15-50	15-75	15-75	15-75	15-75
Sensitivity [1W, 1m]	85	88	88	88	88	90
Frequency Response [Hz]	300-20k	80–20k	60–20k	50–20k	45–20k	45–21k
Mounting Hole Diameter [in, mm]	2-3/8, 61	3-1/16, 78	3-11/16, 94	4x5-5/16, 101x151	3-7/8x9-3/8, 99x238	4-1/2, 115
Top Mount Depth [in, mm]	1-1/4, 32	1-5/8, 42	1-13/16, 46	1-11/16, 44	2-3/8, 61	1-3/4, 45
Bottom Mount Depth [in, mm]	–	1-7/8, 49	2-1/16, 51	2, 51	2-13/16, 71	2, 52
Tweeter Protrusion [in, mm]	0	1/16, 2	0	1/16, 2	0	0
Grilles	No	No	No	No	No	Yes (sold separately)
Tweeter Magnet Material	–	Neodymium	Neodymium	Neodymium	Neodymium	Neodymium
Tweeter Dome Material	–	Silk	Silk	Silk	Silk	Silk
Tweeter Design	–	Balanced dome	Balanced dome	Balanced dome	Balanced dome	Dome
Woofer Cone Material	Composite Paper	Polypropylene	Polypropylene	Polypropylene	Polypropylene	Polypropylene
Woofer Surround Material	UV Treated Cloth	Rubber	Rubber	Rubber	Rubber	Rubber

Model:	KSC650	KSC670	KSC680	KSC690	KSC6930
Speaker Design	2 - Way	2 - Way	2 - Way	2 - Way	3 - Way
Woofer [in, mm]	6-1/2, 160	6-3/4, 165	6x8, 160x200	6x9, 160x230	6x9, 160x230
Mid [in, mm]	–	–	–	–	1, 25
Tweeter [in, mm]	3/4, 20	3/4, 20	3/4, 20	1, 25	3/4, 20
Rated Impedance [Ω]	4	4	4	4	4
Peak Power Handling [Watts]	200	200	150	300	300
Recommended Amplifier Power [Watts RMS]	15-100	15-100	15-75	15-150	15-150
Sensitivity [1W, 1m]	90	90	90	92	92
Frequency Response [Hz]	43–21k	40–21k	45–21k	30–21k	30–21k
Mounting Hole Diameter [in, mm]	4-13/16, 123	5-9/16, 141	5x7-3/16, 127x182	5-11/16x8-7/16, 144x215	5-11/16x8-7/16, 144x215
Top Mount Depth [in, mm]	1-13/16, 46	1-13/16, 46	2-1/4, 58	3-3/16, 81	3-1/8, 80
Bottom Mount Depth [in, mm]	2-3/16, 54	2, 50	2-5/8, 67	3-11/16, 93	3-5/8, 92
Tweeter Protrusion [in, mm]	0	0	1/16, 2	0	0
Grilles	Yes	Yes	No	Yes	Yes
Tweeter Magnet Material	Neodymium	Neodymium	Neodymium	Neodymium	Neodymium
Tweeter Dome Material	Silk	Silk	Silk	Silk	Silk
Tweeter Design	Dome	Dome	Dome	Dome	Dome
Woofer Cone Material	Polypropylene	Polypropylene	Polypropylene	Polypropylene	Polypropylene
Woofer Surround Material	Rubber	Rubber	Rubber	Rubber	Rubber

Installation

Wiring

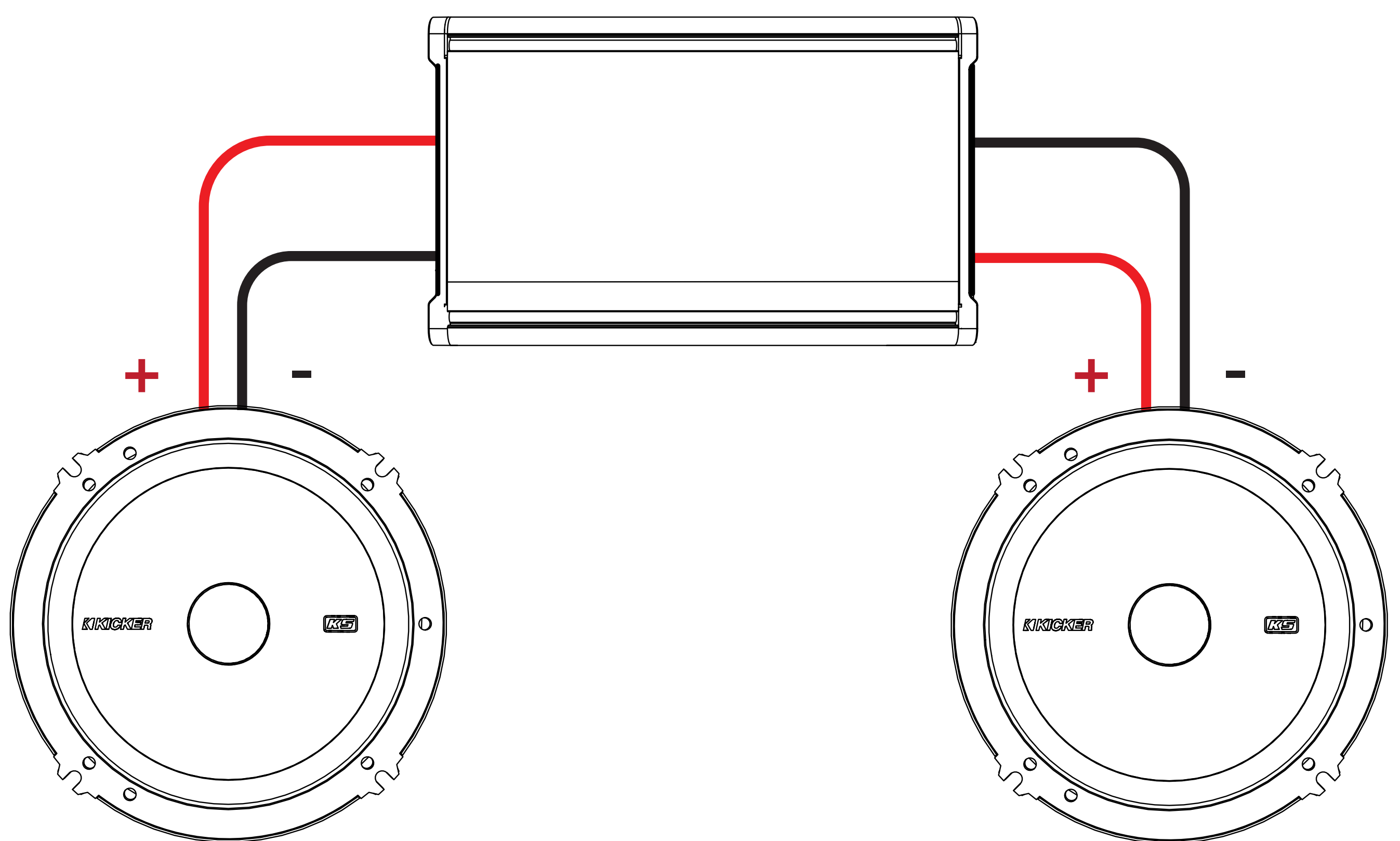
We recommend using 16 gauge (or larger) wire. The KS Speakers are rated at 4 ohms and work with any source unit or amplifier designed to operate at a 4 ohm load. **Make sure your source unit or amplifier is rated for 4 ohm operation.**

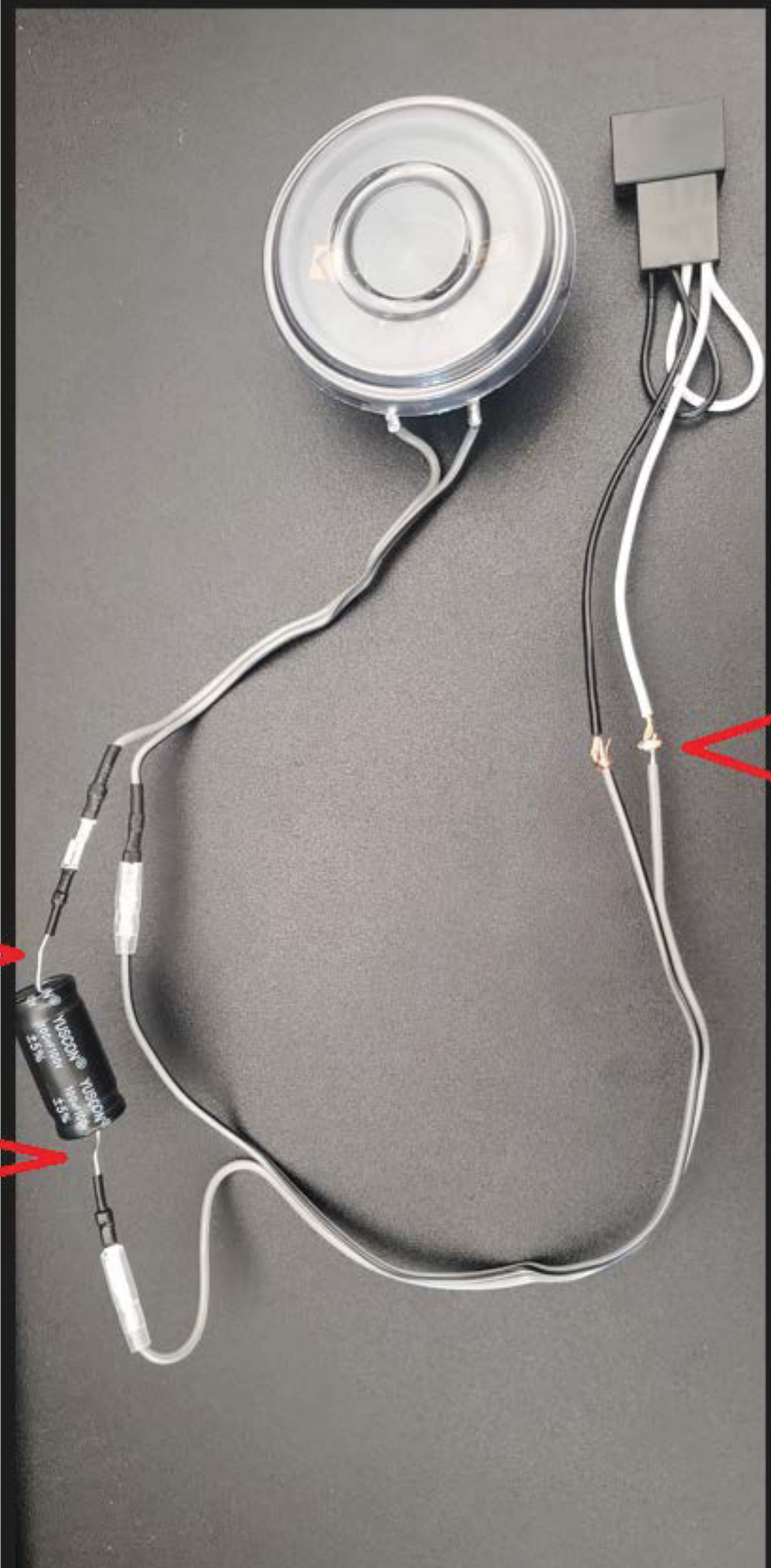


Connect wiring to terminals

STANDARD STEREO WIRING

minimum impedance of 4 ohms per channel





Insulate both of these exposed areas with heat shrink tubing or electrical tape.

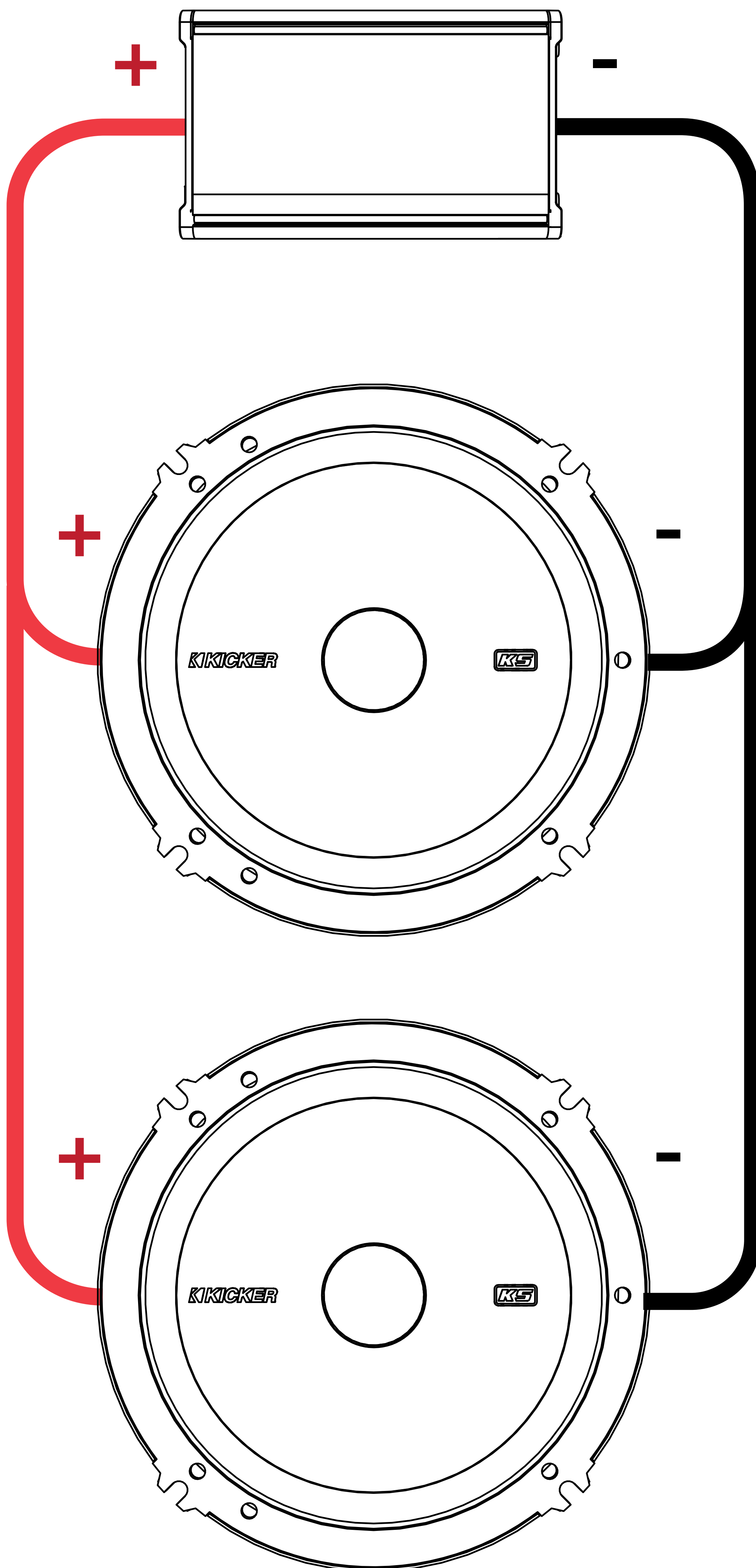
Use solder and heatshrink (or insulating crimps) to connect these wires.

PARALLEL WIRING

Two KS Speakers wired in parallel to a single channel

Total Impedance: 2 ohms

At least two amplifier channels are needed for stereo operation (only one channel is shown)

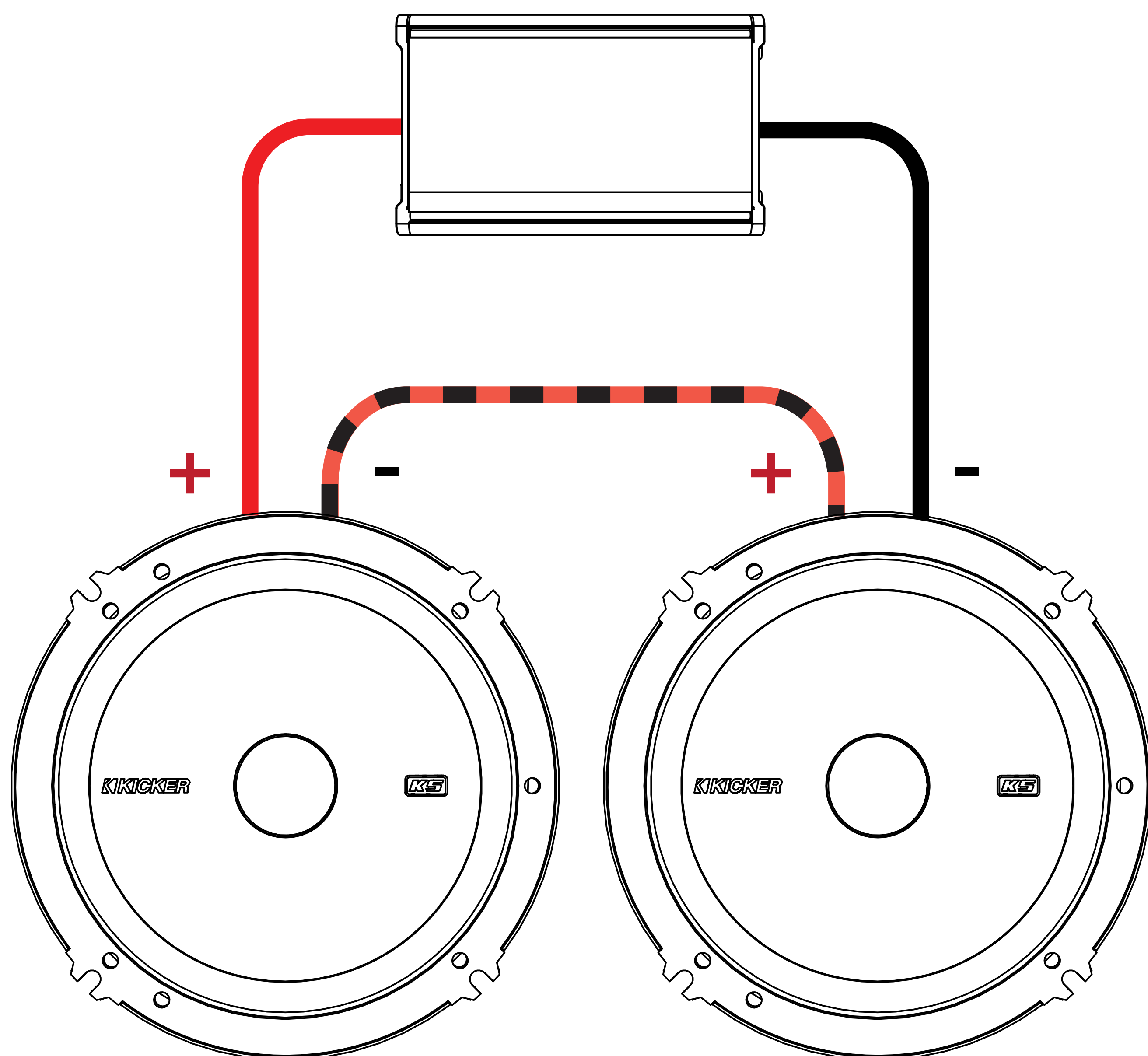


SERIES WIRING

Two KS Speakers wired in series to a single channel

Total Impedance: 8 ohms

At least two amplifier channels are needed for stereo operation (only one channel is shown)



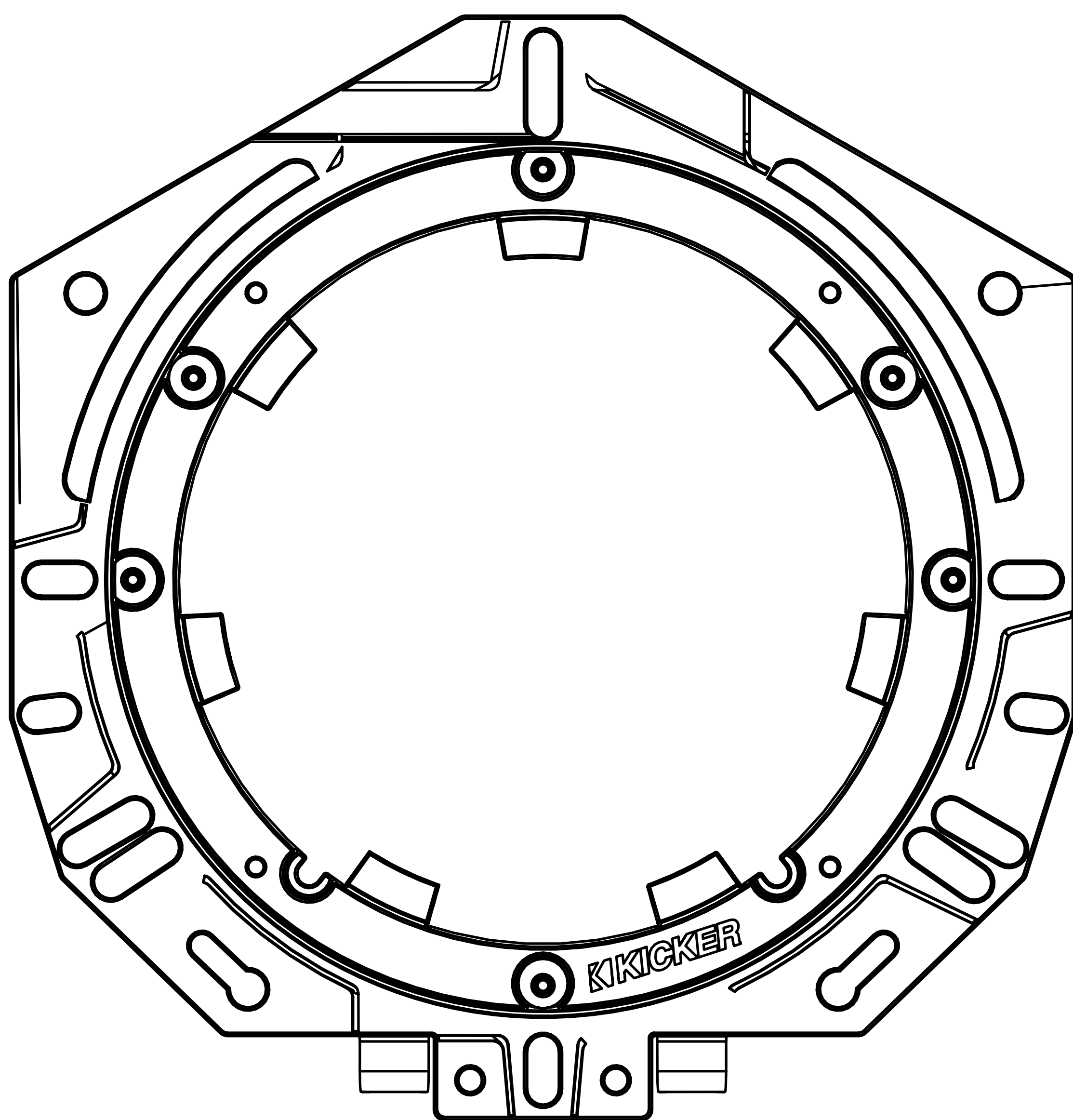
Mounting

The KICKER KSC speakers are designed for free-air applications and do not require a sealed enclosure for optimum performance. It is important to isolate the sound coming from the front of the speaker from the sound radiating from the back of the speaker. This is most easily accomplished by mounting the speakers in a vehicle's factory locations or in a location with a semi-isolated rear chamber (like the rear deck of a car behind the rear seats).

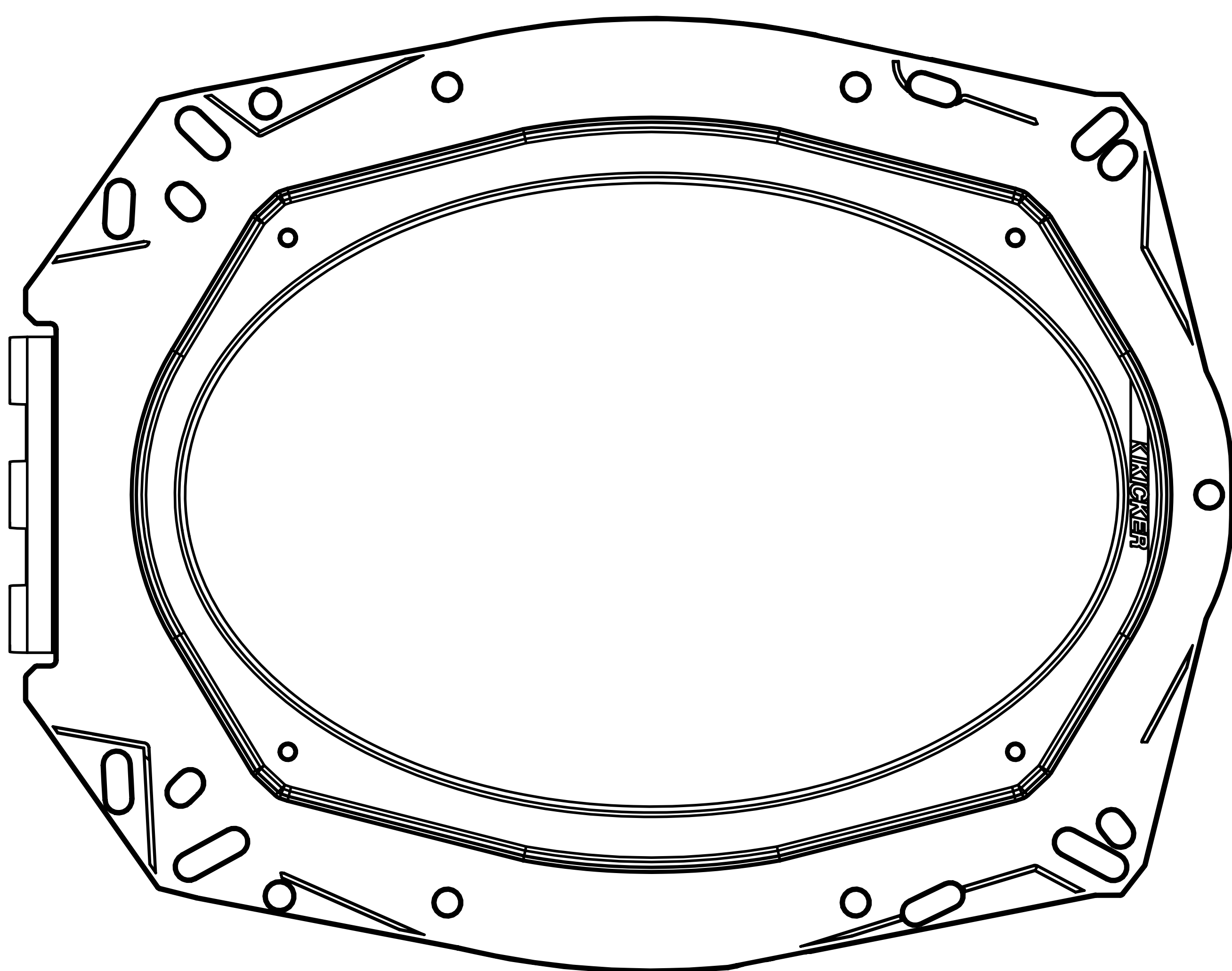
If you are replacing factory speakers in their original locations with the KSC65, KSC67 or KSC69, you may need to use the included multi-purpose adapter, or modify it as such that it will fit your required screw patterns. You may also need to enlarge the speaker cut-outs and pre-drill new screw holes using a 7/64" (2.5mm) bit. Custom mounting locations will require more preparation and work. Make sure that the speaker will not interfere with trunk and door opening and closing mechanisms and that the enclosed screws will not puncture the fuel tank, puncture wiring, or interfere with any other mechanical parts on the underside of the mounting surface. Cycle the windows all the way down and up.

These multi-bracket adapters will help accommodate the KS speakers in factory or custom locations. You may need to cut off parts or otherwise modify these adapters to fit your vehicle or application.

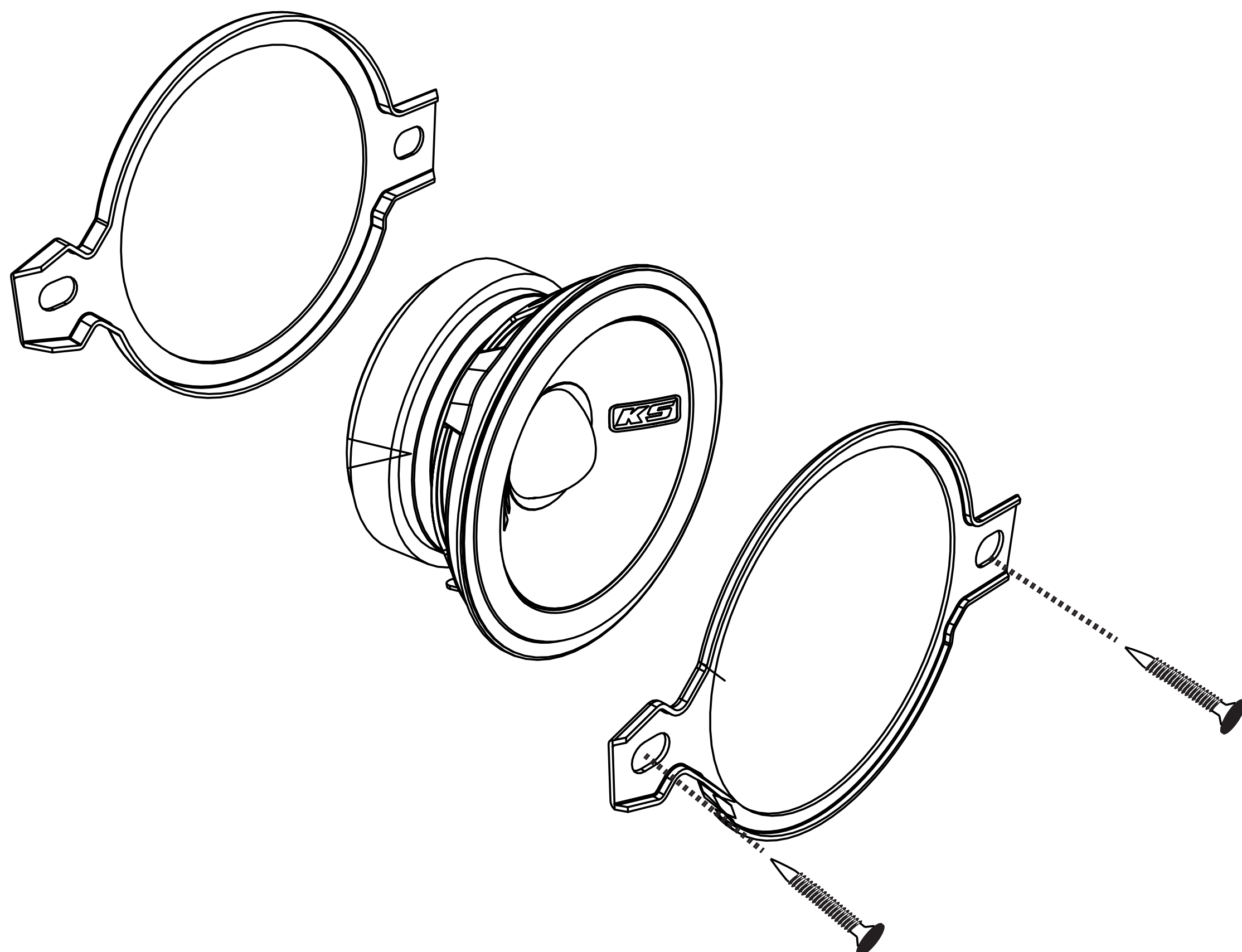
KS65/KS67 ADAPTER



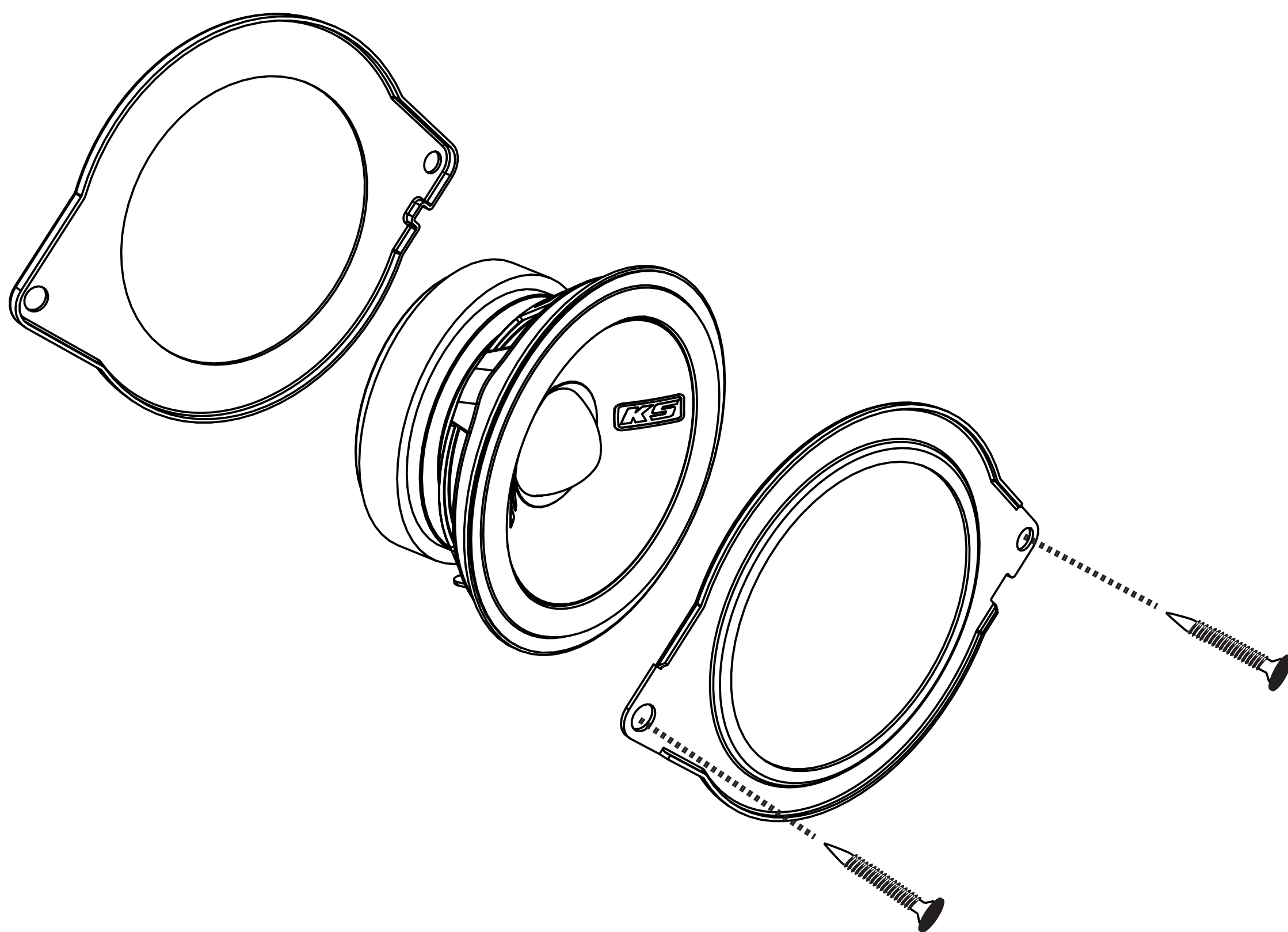
KS69 ADAPTER



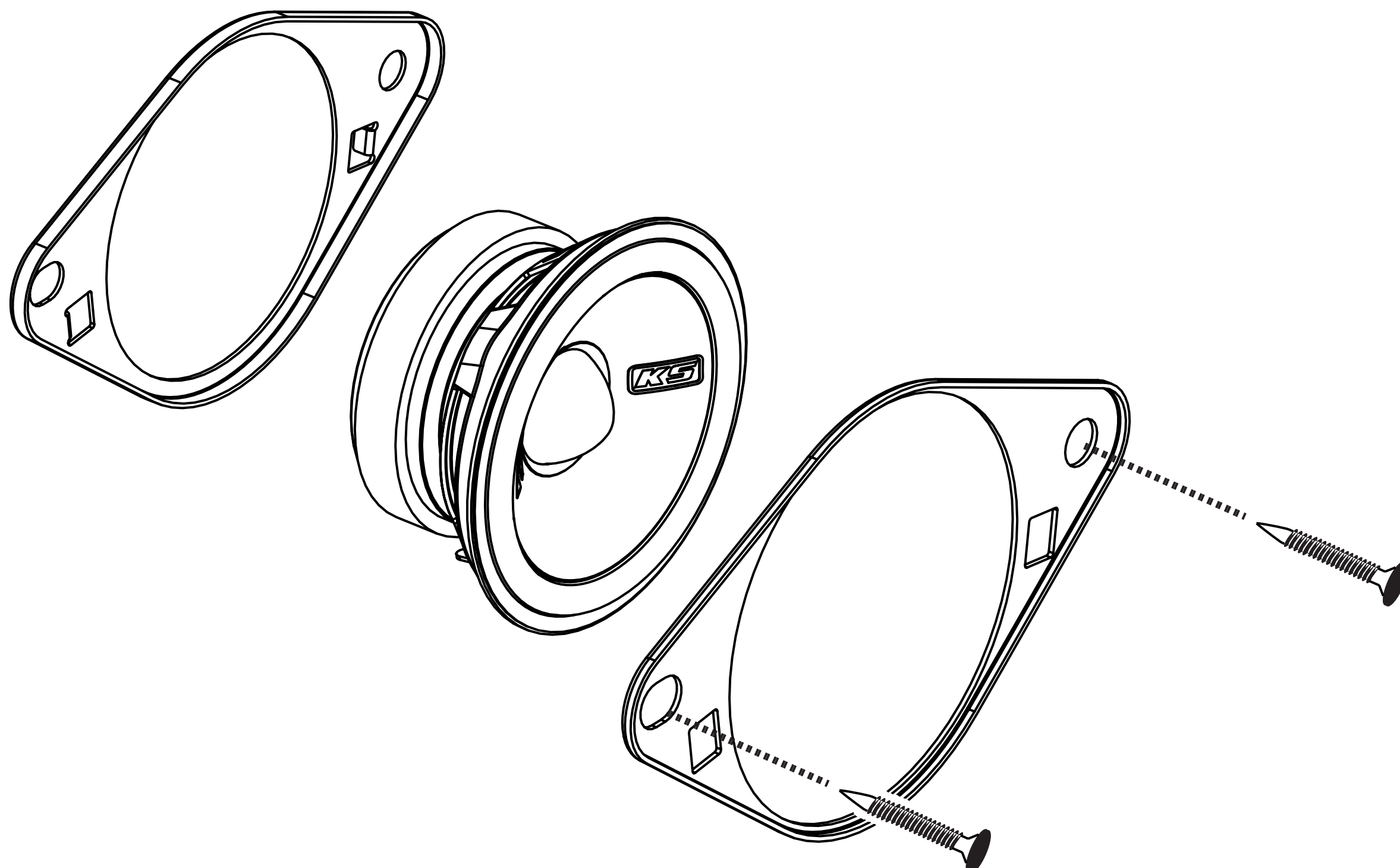
KS270 ADAPTER - GM/CHRYSLER



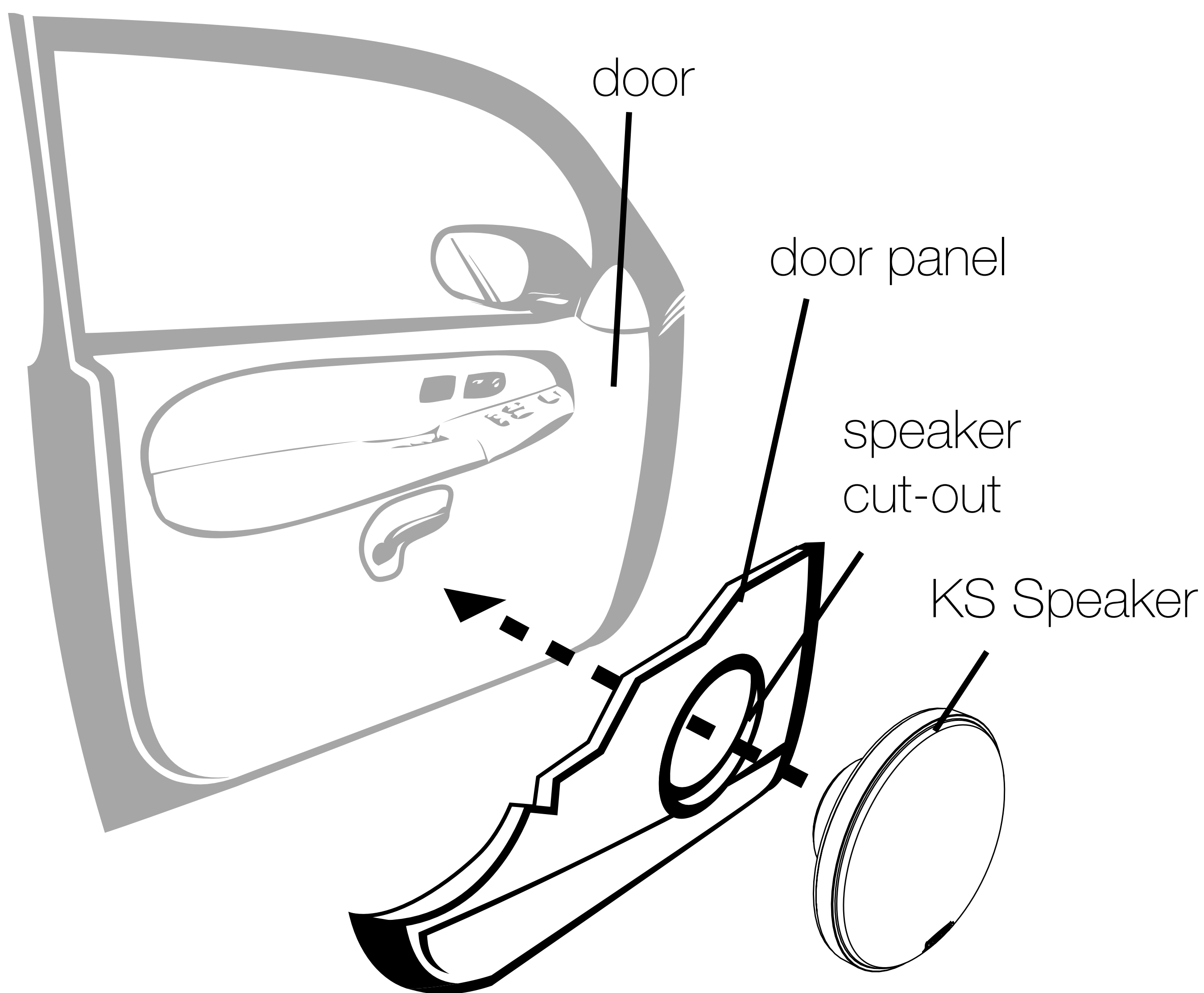
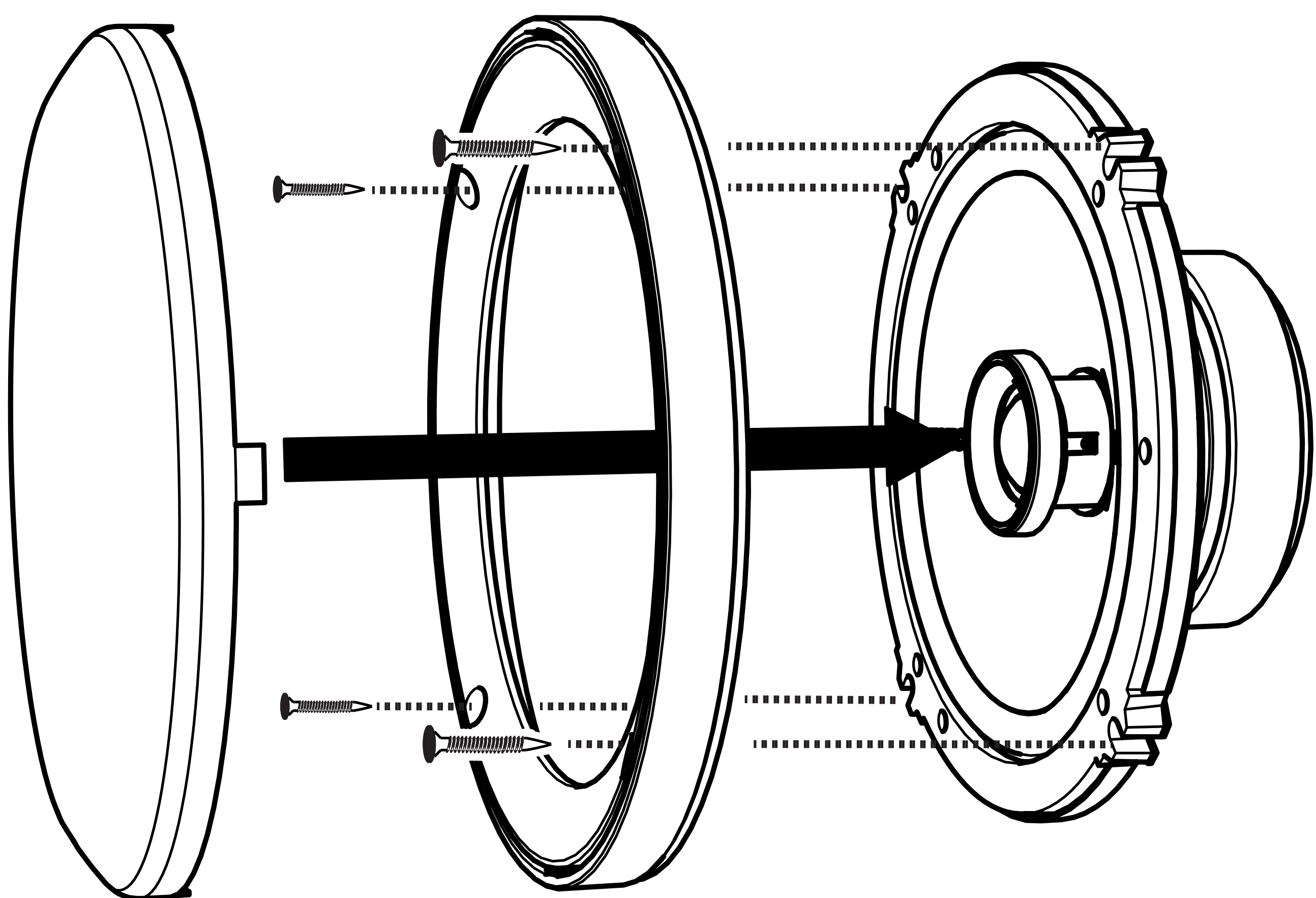
KS270 ADAPTER - CHRYSLER/JEEP



KS270 ADAPTER - TOYOTA/SUBARU



Secure speaker to desired location



Warranty

When purchased from an Authorized KICKER Dealer, KICKER warrants this product to be free from defects in material and workmanship under normal use for a period of TWO (2) YEARS from date of original purchase with receipt. If this product is identified as “Refurbished” or “B Goods”, the warranty is limited to a period of THREE (3) MONTHS from the date of original purchase. In all cases you must have the original receipt. Should service be necessary under this warranty for any reason due to manufacturing defect or malfunction during the warranty period, KICKER will repair or replace (at its discretion) the defective merchandise with equivalent merchandise. Warranty replacements may have cosmetic scratches and blemishes. Discontinued products may be replaced with more current equivalent products. This warranty is valid only for the original purchaser and is not extended to owners of the product subsequent to the original purchaser. Any applicable implied warranties are limited in duration to a period of the express warranty as provided herein beginning with the date of the original purchase at retail, and no warranties, whether express or implied, shall apply to this product thereafter. Some states do not allow limitations on implied warranties; therefore, these exclusions may not apply to you. This warranty gives you specific legal rights; however you may have other rights that vary from state to state.

WHAT TO DO IF YOU NEED WARRANTY OR SERVICE:

Defective merchandise should be returned to your local Authorized Stillwater Designs (KICKER) Dealer for warranty service. Assistance in locating an Authorized Dealer can be found at www.KICKER.com or by contacting Stillwater Designs directly. You can confirm that a dealer is authorized by asking to see a current authorized dealer window decal.

If it becomes necessary for you to return defective merchandise directly to Stillwater Designs (KICKER), call the KICKER Customer Service Department at (405) 624-8510 for a Return Merchandise Authorization (RMA) number. Package only the defective items in a package that will prevent shipping damage, and return to:

Stillwater Designs, 3100 North Husband St, Stillwater, OK 74075

The RMA number must be clearly marked on the outside of the package. Please return only defective components. The return of functioning items increases your return freight charges. Non-defective items will be returned freight collect to you. For example, if a subwoofer is defective, only return the defective subwoofer, not the entire enclosure. Include a copy of the original receipt with the purchase date clearly visible, and a “proof-of-purchase” statement listing the Customer’s name, Dealer’s name and invoice number, and product purchased. Warranty expiration on items without proof-of-purchase will be determined from the type of sale and manufacturing date code. Freight must be prepaid; items sent freight-collect, or COD, will be refused.

WHAT IS NOT COVERED?

This warranty is valid only if the product is used for the purpose for which it was designed. It does not cover:

- o Damage due to improper installation
- o Subsequent damage to other components
- o Damage caused by exposure to moisture, excessive heat, chemical cleaners, and/or UV radiation
- o Damage through negligence, misuse, accident or abuse. Repeated returns for the same damage may be considered abuse
- o Any cost or expense related to the removal or reinstallation of product
- o Speakers damaged due to amplifier clipping or distortion
- o Items previously repaired or modified by any unauthorized repair facility
- o Return shipping on non-defective items
- o Products with tampered or missing barcode labels
- o Products with tampered or missing serial numbers
- o Products returned without a Return Merchandise Authorization (RMA) number
- o Products purchased from an UNAUTHORIZED dealer
- o Freight Damage
- o The cost of shipping product to KICKER
- o Service performed by anyone other than KICKER

HOW LONG WILL IT TAKE?

KICKER strives to maintain a goal of one-week service for all acoustics (subwoofers, midrange drivers, tweeters, crossovers, etc) returns. Delays may be incurred if lack of replacement inventory or parts is encountered. Failure to follow these steps may void your warranty. Any questions can be directed to the KICKER Customer Service Department at (405) 624-8510. Contact your International KICKER dealer or distributor concerning specific procedures for your country’s warranty policies.

Garantía | Garantie

Contact your International KICKER dealer or distributor concerning specific procedures for your country's warranty policies.

Our goods come with guarantees that cannot be excluded under the **Australian Consumer Law**. You are entitled to a replacement or refund for a major failure and for compensation for any other reasonably foreseeable loss or damage. You are also entitled to have the goods repaired or replaced if the goods fail to be of acceptable quality and the failure does not amount to a major failure.

GARANTÍA INTERNACIONAL **Versión Español**

Comuníquese con su concesionario o distribuidor KICKER internacional para obtener información sobre procedimientos específicos relacionados con las normas de garantía de su país.

La frase "combustible para vivir la vida Livin' Loud™ a todo volumen" se refiere al entusiasmo por la vida que la marca KICKER de estéreos de automóvil representa y a la recomendación a nuestros clientes de que vivan lo mejor posible ("a todo volumen") en todo sentido. La línea de altavoces y amplificadores KICKER es la mejor del mercado de audio de automóviles y por lo tanto representa el "combustible" para vivir a todo volumen en el área de "estéreos de automóvil" de la vida de nuestros clientes. Recomendamos a todos nuestros clientes que obedezcan todas las reglas y reglamentos locales sobre ruido en cuanto a los niveles legales y apropiados de audición fuera del vehículo.

INTERNATIONALE GARANTIE **Deutsche Version**

Nehmen Sie mit Ihren internationalen KICKER-Fachhändler oder Vertrieb Kontakt auf, um Details über die Garantieleistungen in Ihrem Land zu erfahren.

Der Slogan "Treibstoff für Livin' Loud" bezieht sich auf die mit den KICKER-Autostereosystemen assoziierte Lebensfreude und die Tatsache, dass wir unsere Kunden ermutigen, in allen Aspekten ihres Lebens nach dem Besten ("Livin' Loud") zu streben. Die Lautsprecher und Verstärker von KICKER sind auf dem Markt für Auto-Soundsysteme führend und stellen somit den "Treibstoff" für das Autostereoerlebnis unserer Kunden dar. Wir empfehlen allen unseren Kunden, sich bezüglich der zugelassenen und passenden Lautstärkepegel außerhalb des Autos an die örtlichen Lärmvorschriften zu halten.

GARANTIE INTERNATIONALE **Version Française**

Pour connaître les procédures propres à la politique de garantie de votre pays, contactez votre revendeur ou distributeur International KICKER.

L'expression "carburant pour vivre plein pot" fait référence au dynamisme de la marque KICKER d'équipements audio pour véhicules et a pour but d'encourager nos clients à faire le maximum ("vivre plein pot") dans tous les aspects de leur vie. Les haut-parleurs et amplificateurs KICKER sont les meilleurs dans le domaine des équipements audio et représentent donc pour nos clients le "carburant pour vivre plein pot" dans l'aspect "installation audio de véhicule" de leur vie. Nous encourageons tous nos clients à respecter toutes les lois et réglementations locales relatives aux niveaux sonores acceptables à l'extérieur des véhicules.

P.O. Box 459

Stillwater, Oklahoma 74076

USA

(405) 624-8510

 **stillwaterdesigns**