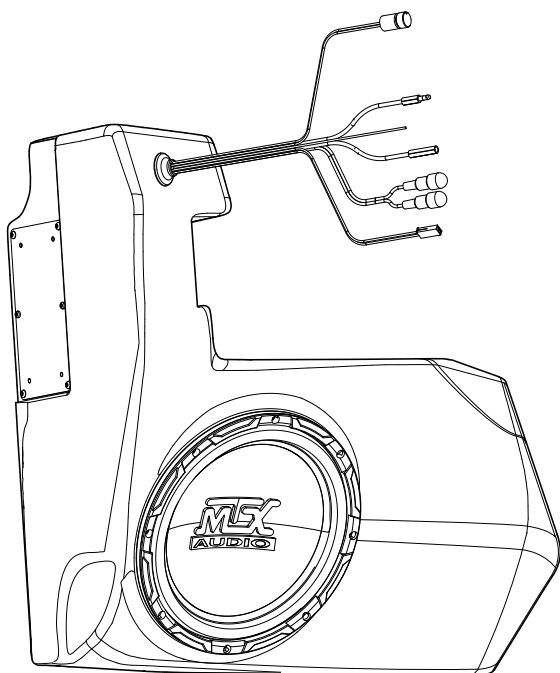




THUNDER
SPORTS™



OWNER'S MANUAL
CANAM-10
CAN-AM® AMPLIFIED SUBWOOFER ENCLOSURE

IMPORTANT NOTICE

If you have any questions regarding wire routing in a vehicle, please contact MTX Technical Support at 1-800-225-5689.

When connecting power and ground wires ensure that the red power wire is fused at the point where it is connected to the vehicle's battery. Failure to do so can result in damage to the vehicle if a short circuit develops between the vehicle connection point and the product.

PRODUCT INFORMATION

Model # _____
Serial # _____
Dealer's Name _____
Date of Purchase _____

IN THE BOX

- CANAM-10 Amplified Subwoofer Enclosure
- EBC and EBC Extension Wire
- Mounting Hardware
 - (2) M6-1.0x25 Hex Bolts
 - (2) M6-1.0 Nylon Locknuts
 - (4) M6 Flat Washers
 - (2) ST6.3 25mm Self-tapping Screws
 - (4) Torx Pan Head 18mm Self-tapping Screws

ADDITIONAL ACCESSORIES NEEDED AND NOT INCLUDED

MTX recommends using StreetWires PS1K-10 amp kit which includes the following:

- Power and Ground Wire to Run to the Battery
- 20A ATC Fuse Holder
- Accessory Connection Wire

RCA Cables to Connect to the Source

INSTALLATION TOOLS

The following is a list of suggested tools needed for installation:

- Torx - T27
- Torx - T25
- Torx - T20
- Torx - T15
- 10mm Socket Wrench
- 5/16" Drill Bit
- 1/8" Drill Bit

INTRODUCTION

Thank you for purchasing the MTX Audio amplified subwoofer enclosure designed for the Can-Am® Commander and Maverick. The easy to install subwoofer is the perfect direct fit bass solution for your Can-Am® vehicle. Congratulations and enjoy the ultimate audio experience with MTX!

FITS THE FOLLOWING VEHICLES

- Commander - 2 and 4 Seats (2012 and Up)
- Maverick - 2 and 4 Seats (2012 and Up)

FEATURES

- 10" All-Weather Amplified Subwoofer Enclosure
- Integrated 250-Watt RMS / 500-Watt Peak Power Amplifier
- Integrated Power and Ground Connections
- Low Level Input with External Gain Control
- Dash Mount Bass Control Knob (Included)
- Mounts Underneath Dashboard (Passenger Side) - Direct Fit

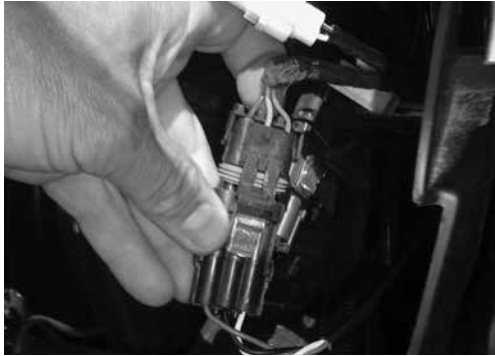
SPECIFICATIONS

- RMS Power Handling: 250-Watts
- Peak Power Handling: 500-Watts
- Frequency Response: 34Hz - 130Hz



INSTALLATION

Step 1 - Using a T25 Torx, remove the center switch bezel by removing the two top screws and the two plastic retainer pins from both the left and right sides. Open the glove box and slide the dash bezel towards you. Place on top of dash out of the way. Unplug the winch controller if equipped.



Step 2 - Remove the trim piece above the glove box by gripping it on both sides and firmly pulling straight back towards you.



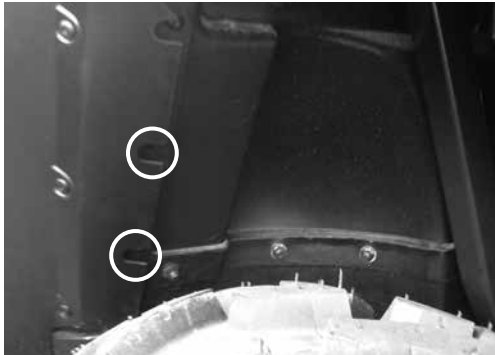
Step 3 - Remove the 10mm hex bolts that hold the glove box in place. These are located in the upper left and upper right area of the glove box.



Step 4 - To remove the glove box, pull straight back towards the passenger seat. If equipped, carefully remove the winch plug from behind the center switch bezel. Be careful not to damage the wire and connector when removing it.



Step 5 - Using a T27 Torx, remove the bottom two bolts and nuts from the passenger side inner fender. The top one can be left in place.



Step 6 - Unscrew the woofer from the enclosure using a T20 Torx and disconnect the speaker wire going to the terminal.

Step 7 - Place the enclosure in the vehicle with the enclosure angled as shown. Push the narrow part of enclosure up under the dash and rotate the enclosure up and into the vehicle, it will be a snug fit.



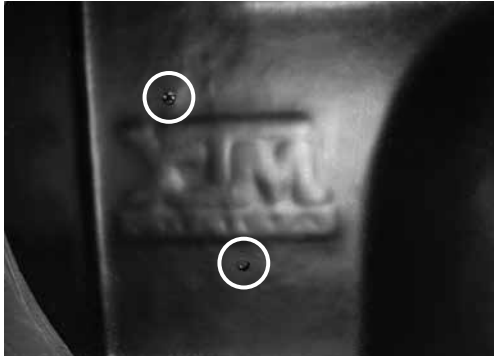
Step 8 - When correctly installed, the enclosure will fit as shown.



Step 9 - Feed the wiring from the enclosure behind the center switch bezel.



Step 10 - Use a $\frac{3}{8}$ " drill bit to drill through the firewall from inside the enclosure using the two existing holes behind the subwoofer mounting hole. Remove the plastic shavings created by the drilling process from inside the enclosure.



Step 11 - Bolt the enclosure in place using the supplied M6 hardware, tighten down until secure.



Step 12 - Using a $\frac{1}{8}$ " drill bit, drill through the inner fender holes into the enclosure. Using the supplied screws, secure the enclosure into place through the fender holes. Do not over-tighten the screws.

Step 13 - Connect the internal speaker wires to the subwoofer, red to positive. Screw the subwoofer in place using the four machine screws that were removed earlier (Step 6). Using a T15 Torx, finish securing the woofer in place using the four supplied self-tapping screws in the remaining mounting holes.

Step 14 - Now that the enclosure is securely tightened in place, the power and signal wires need to be connected to the battery and signal source.

- The Red wire should be connected directly to the battery's positive terminal and fused with a 30A fuse.
- The Black wire should be directly connected to the battery's negative terminal.
- The Blue wire should be connected to the ACC / Key Turn On.

Step 15 - Connect the RCA inputs to the signal source of your choice

Step 16 - Turn the unit on and check to make sure everything works. Set the gain using the gain pot that is attached to the orange/grey wires. Set the gain to the bass level desired.

Step 17 - The included EBC can be connected and mounted to a desired location to allow easy trim adjustment of the bass level after the gain has been set.



Step 18 - Replace all the parts and screws that have been removed to return the vehicle back to its completely assembled state.

For proper performance and safety, MTX recommends installing an inline fuse per the owner’s manual instructions according to the following.

UTV ThunderForm	30A Fuse
-----------------	----------

TROUBLESHOOTING

Problem	Cause	Solution
No LED Indication	No +12V at Remote Connection	Supply +12V to Terminal
	No +12V at Power Connection	Supply +12V to Terminal
	Insufficient Ground Connection	Verify Ground Connection
	Blown Power Fuse	Remove the 6 Torx Screws on the Perimeter of the Amplifier. Carefully Remove the Amplifier to Access the Fuse Holder on the Power Cable. Replace with a 30A Fuse.
Power LED On, No Output	Volume on Source Unit Off	Increase Volume on Source Unit
	Gain Control on Amplifier Off	Turn Up Gain
	Indicator LED Solid Red	Speaker or Amplifier Defective
Output Distorted	Head Unit Volume Set Too High	Lower Head Unit Volume
	Amplifier Gain Set Too High	Lower Amplifier Gain
Bass is Weak	Speakers Wired Out of Phase From the Subwoofer	Wire Speakers with Correct Phase
Blowing Fuses	Excessive Output Levels	Lower the Volume
	Amplifier Defective	Return for Service



MUD NATION[®]
LET'S DO SOMETHING DIRTY[®]

© 2018 Mitek Corporation. All rights reserved. MTX, Mud Nation, and Let's Do Something Dirty are trademarks of Mitek Corporation. All other trademarks are property of their respective owners. Designed and Engineered in the U.S.A.

Due to continual product development, all specifications are subject to change without notice.

MTX Audio, 4545 East Baseline Rd. Phoenix, AZ 85042 U.S.A. 1-800-225-5689

MTX005506 RevC 8/18 • 21A10546 • AW0015388