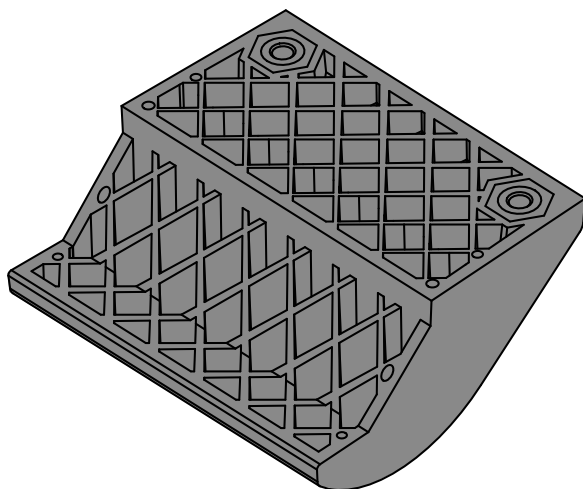




***THUNDER***  
**SPORTS™**

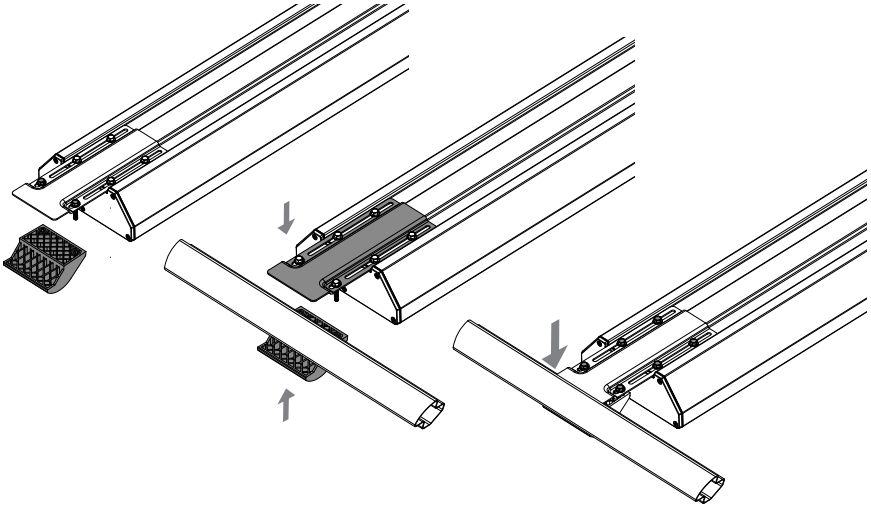


**INSTALLATION INSTRUCTIONS**  
**MUDSYSPFCLAMP**  
**MUDSYSXX POLARIS® PROFIT CLAMP**

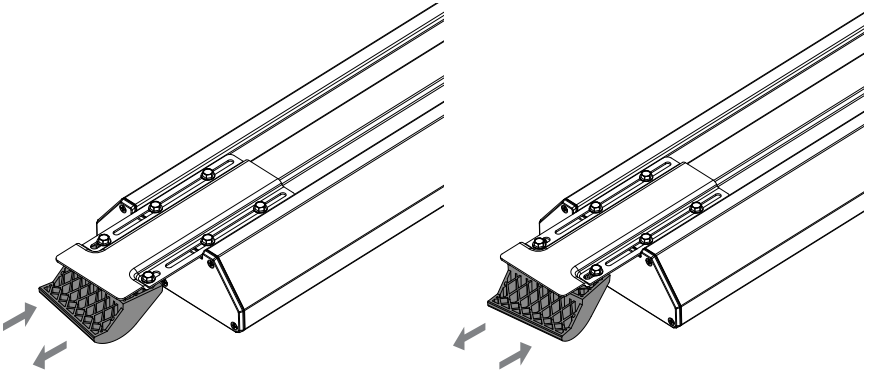
## INSTALLATION

The MUDSYSPFCLAMP is designed to work with select Polaris® vehicle Pro-Fit style cages and MTX MUDSYSXX overhead Bluetooth sound bars. The MUDSYSPFCLAMP replaces the underside clamp that is included with the MUDSYSXX unit in order to provide a secure mount to the Pro-Fit style cage.

The underside clamp that is included with the MUDSYSXX can be discarded or set aside as the MUDSYSPFCLAMP will replace it in the installation of the MUDSYSXX overhead.



Remove the bolts from the MUDSYSPFCLAMP so the top bracket and MUDSYSPFCLAMP can be properly positioned on the flat portion of the ProFit cage. Once the MUDSYSPFCLAMP are in the proper location for mounting, the bolts should be retightened to a torque specification of 65-70 inch/lbs.



Each MUDSYSPFCLAMP has two (2) total bolts. These bolts can be loosened to adjust the clamp angle allowing it to mount to a variety of roll cages including those that are angled.

Engineered in the U.S.A.

Due to continual product development, all specifications are subject to change without notice.

MTX Audio, 4545 East Baseline Rd. Phoenix, AZ 85042 U.S.A. 1-800-225-5689

MTX005668 RevA 10/17