



PARAMETERS

- Fs: 33.6 Hz
- Qms: 3.102
- Cms: 0.133 mm/N
- Mms: 168.4 g
- Rms: 11.48 kg/s
- Vas: 1.031 ft³ (29.2 liters)
- Xmax: 0.6 in (15.24 mm)
- D: 8.66 in (219.9 mm)
- Sd: 58.92 in² (380.13 cm²)
- Vd: 35 in³ (0.573 liters)
- Qes: 0.791
- Re: 1.71 Ω
- Bl: 8.79 Tm
- Prms: 400 Watts
- Qts: 0.63
- n0: 0.135%
- SPLo: 83.5 dB
- SPL 2.83 V/1m: 90.2 dB
- Disp: 0.035 ft³ (1 liter)

DIMENSIONS

- Total Diameter: 10-5/16" (26.16 cm)
- Cutout Diameter: 9-3/16" (23.34 cm)
- Mounting Depth: 5-5/8" (14.29 cm)

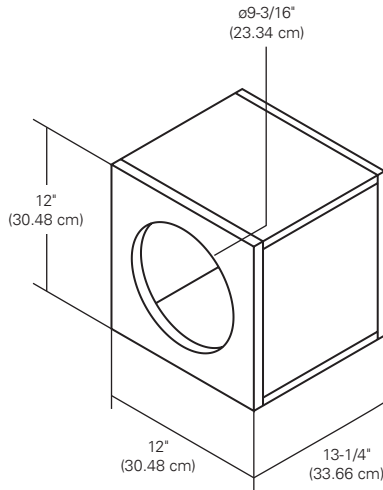
RECOMMENDED POWER RATING

200 Watts - 400 Watts RMS

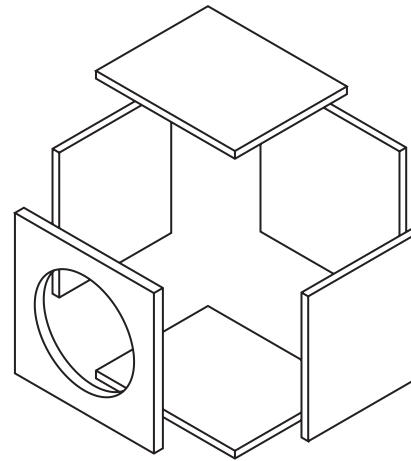
RECOMMENDED ENCLOSURES

For the best possible sound quality where space is a premium, MTX recommends using a sealed enclosure. For excellent sound quality with increased output compared to sealed enclosures (3dB or more), MTX recommends using a vented enclosure. All recommended enclosures have been designed and thoroughly tested by MTX.

SEALED ENCLOSURE

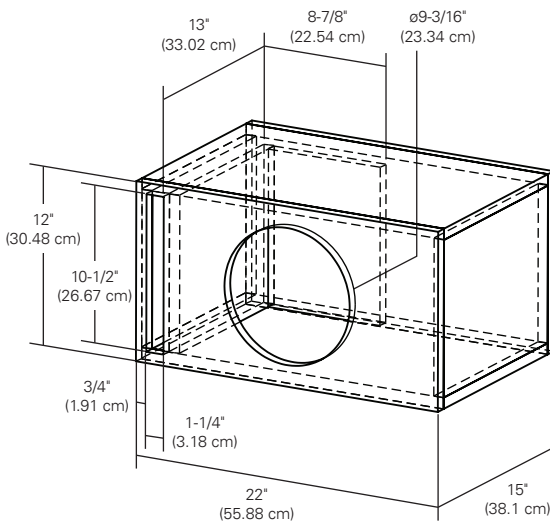


Material Thickness: 3/4" (19mm) MDF

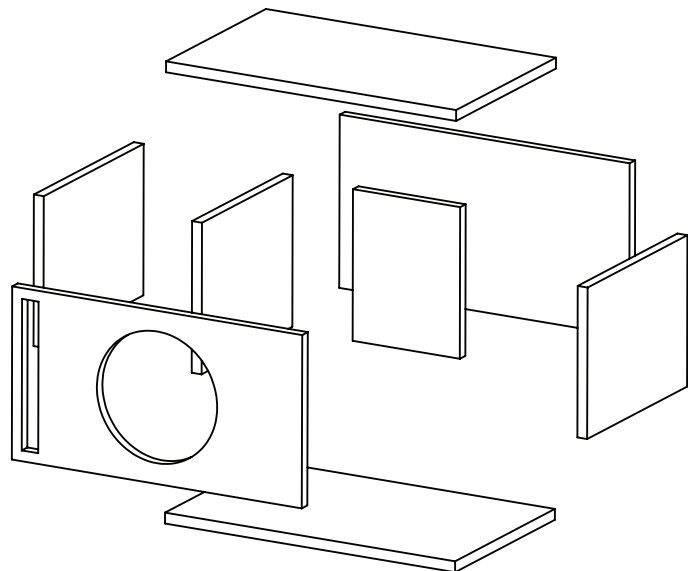


Net Internal Volume: 0.7 ft³

VENTED ENCLOSURE



Material Thickness: 3/4" (19mm) MDF



Net Internal Volume: 1.2 ft³
Port Area: 13.125 in²